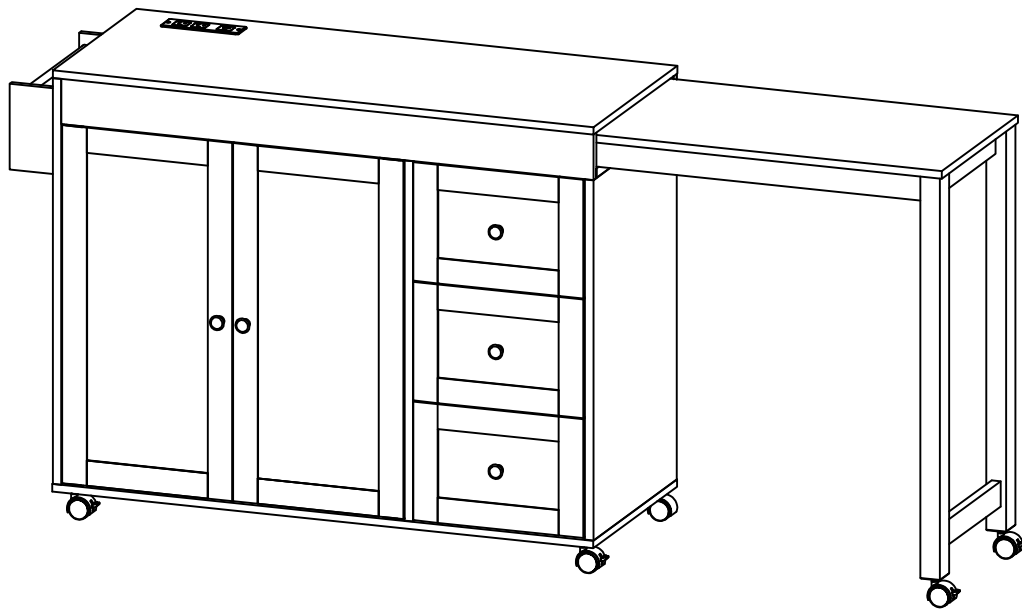


# Kitchen Island Carts

Assembly Instructions - Please keep for future reference



## Dimensions

Width - 70.8 / 43.3 inch

Depth - 17.7 inch

Height - 35 inch

**Important - Please read these instructions fully before starting assembly**



# Safety and Care Advice

**Important – Please read these instructions fully before starting assembly**

- Check you have all the components and tools listed on the following pages.
- Remove all fittings from the plastic bags and separate them into their groups.
- Keep children and animals away from the work area, small parts could choke if swallowed.
- Make sure you have enough space to layout the parts before starting.
- During assembly do not stand or put weight on the product, this could cause damage.
- Assemble the item as close to its final position (in the same room) as possible.
- Assemble on a soft level surface to avoid damaging the unit or your floor.
- Parts of the assembly will be easier with 2 people.



- To reduce the likelihood of damaging your product please ensure that your power drill is set on a low torque setting.

## Care and maintenance

- Only clean using a damp cloth and mild detergent, do not use bleach or abrasive cleaners.
- From time to time check that there are no loose screws on this unit.
- This product should not be discarded with household waste. Take to your local authority waste disposal centre.

## Handy Hints

- Assemble all parts and bolts loosely during assembly, only once the product is complete should you fully tighten the bolts
- Regularly check and ensure That all bolts and fittings are tightend properly.

## **WARNING** In order to help prevent overturning – please follow these instructions

To help prevent product toppling over please follow the below steps:-

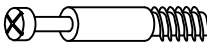

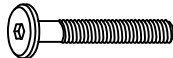
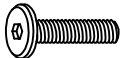
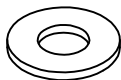
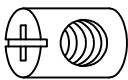

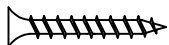
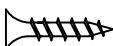



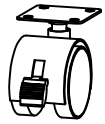


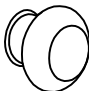

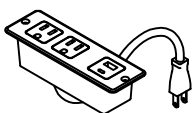

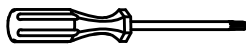
Use the anti tip strap or wall fixing method provided (if applicable)  
Do not allow children to climb or hang on the furniture  
Do not open more than one drawer at a time  
Do not place heavy items in the top drawers  
Do not place heavy items on top of the furniture, unless the furniture has been designed for this purpose

Please note that only the anti tip strap is provided.  
You will need to provide wall plugs and screws applicable for your wall type

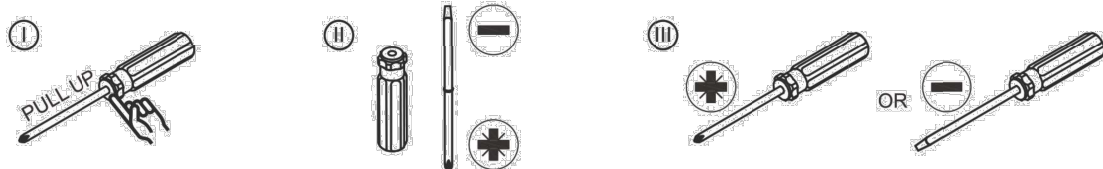
# Components - Fittings

Please check you have all the panels listed below

Note: The quantities below are the correct amount to complete the assembly. In some cases more fittings may be supplied than are required.

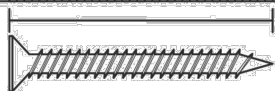
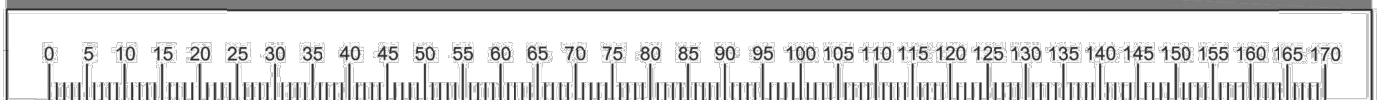
<p>①</p>  <p>Cam Bolt x 54</p>	<p>②</p>  <p>Cam lock x 54</p>	<p>③</p>  <p>M6 x 45 mm Bolt x 6</p>	<p>④</p>  <p>M6 x 30 mm Bolt x 2</p>
<p>⑤</p>  <p>Ø6 x 16 Flat washer x 2</p>	<p>⑥</p>  <p>M6 x 13 mm Embed-nut x 6</p>	<p>⑦</p>  <p>M6 x 50 mm Screw x 2</p>	<p>⑧</p>  <p>M4 x 35 mm Screw x 4</p>
<p>⑨</p>  <p>M3.5 x 15 mm Screw x 30</p>	<p>⑩</p>  <p>Ø7 x 11 mm Door pin x 4</p>	<p>⑪</p>  <p>Ø5 x 11 Flat washer x 4</p>	<p>⑫</p>  <p>Ø8 x 30 Wood dowel x 18</p>
<p>⑬</p>  <p>Locking Caster x 4</p>	<p>⑭</p>  <p>Caster x 3</p>	<p>⑮</p>  <p>Shelf Support x 8</p>	<p>⑯</p>  <p>Knob x 5</p>
<p>⑰</p>  <p>M4 x 20 mm Bolt x 5</p>	<p>⑱</p>  <p>Extension cord x 1</p>	<p>⑲</p>  <p>Allen Wrench x 1</p>	<p>⑳</p>  <p>Screwdriver (Not included)</p>

## Tools required



Screwdrivers can be converted to Phillips and Slotted.

## Ruler - Use this ruler to help correctly identify the screws

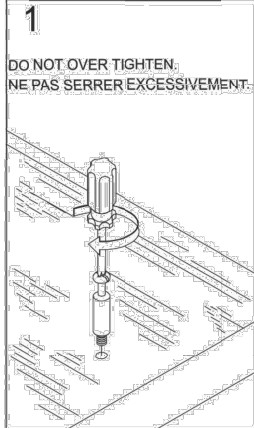


The screws length is measured from the head to the point (35mm screw shown).

# Using Camlocks

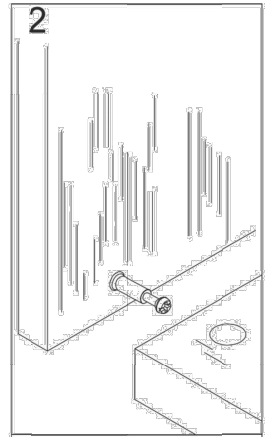
## Step 1

Connect the male camlock as directed in the assembly instructions using a screwdriver.



## Step 2

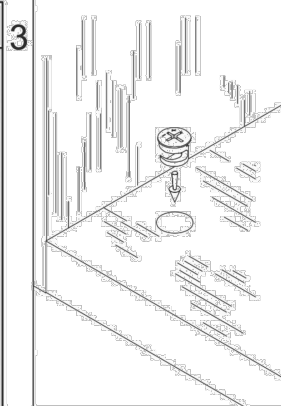
Push the male camlock into the entry hole.



## Step 3

Insert the female camlock as shown in the instruction.

Note : ensure that the arrow on the top of the camlock points towards the entry hole for the male camlock.

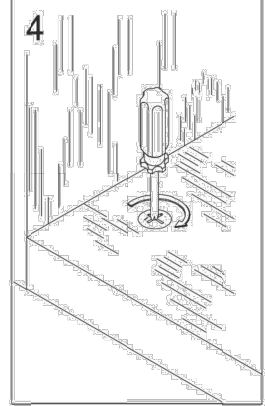


## Step 4

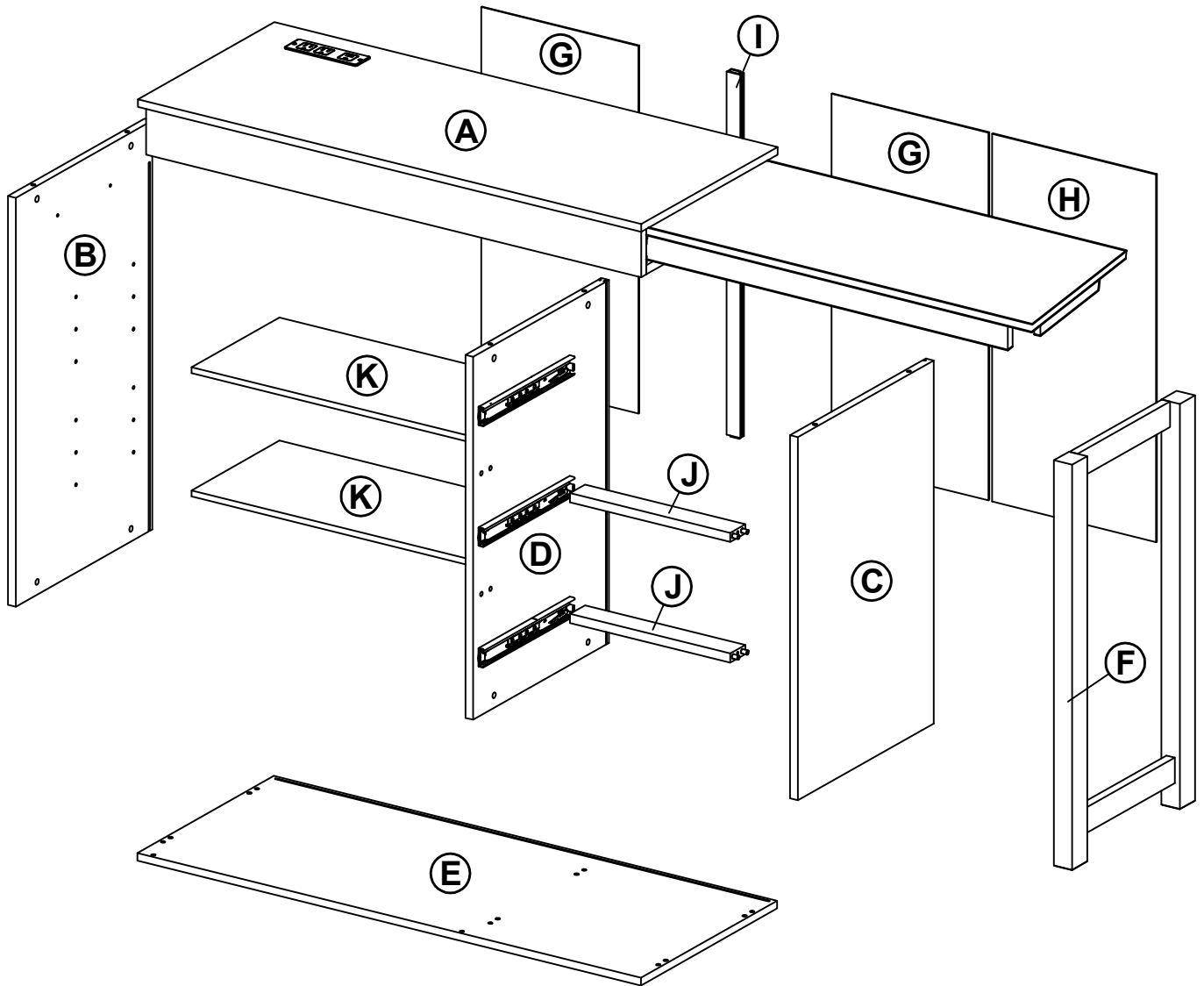
Turn the female camlock clockwise with a screwdriver.

You should feel a click when the camlock is locked in place.

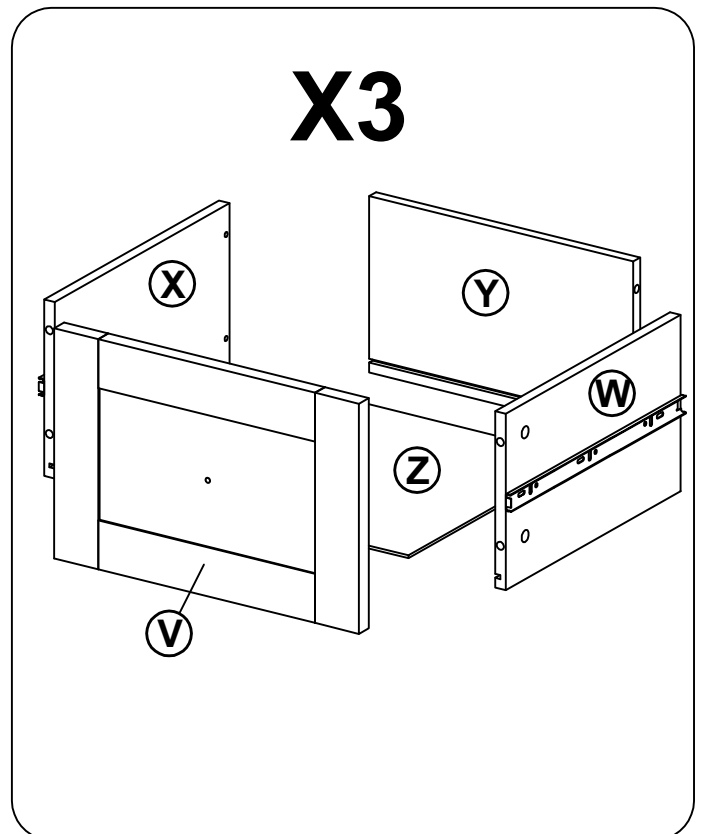
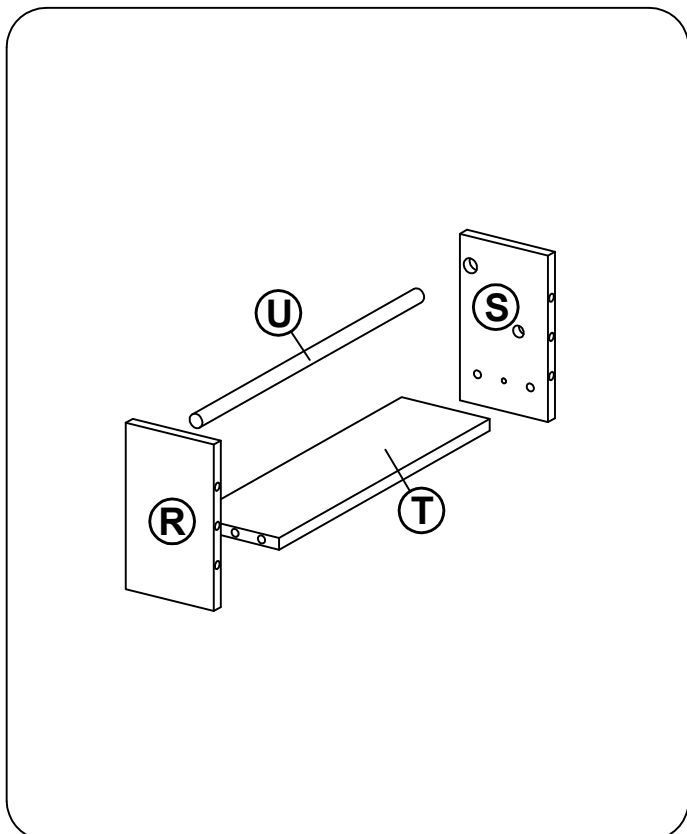
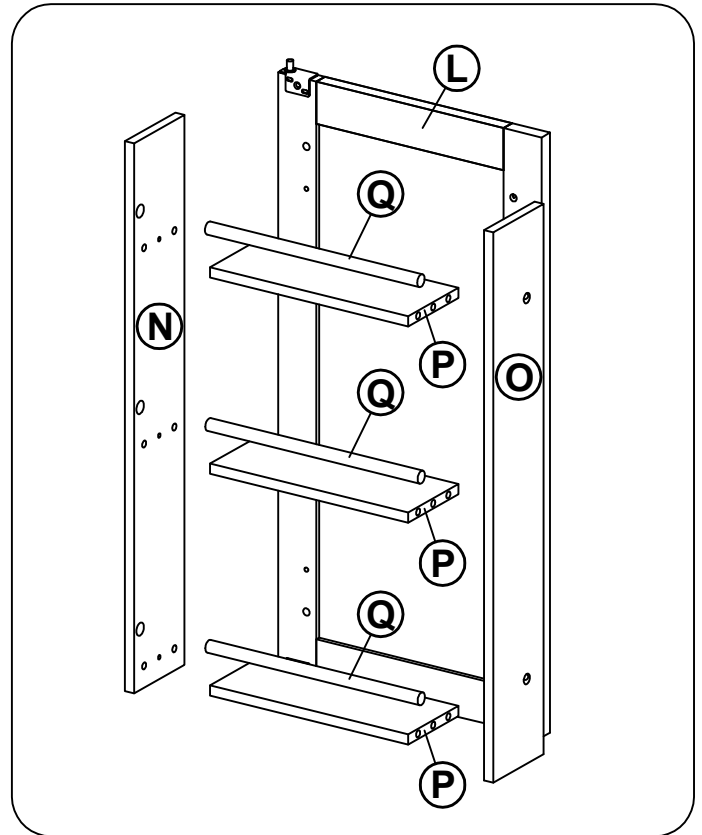
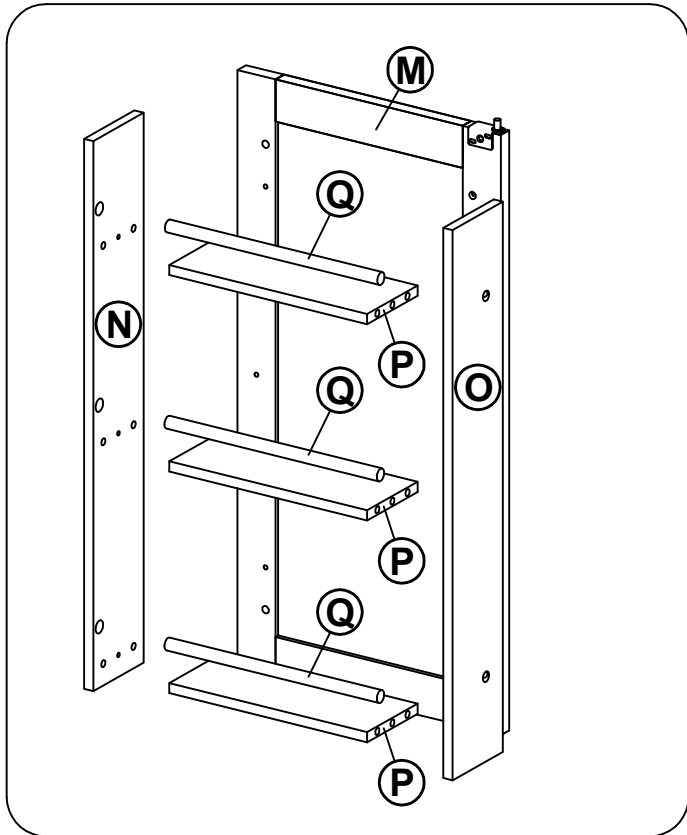
The joint is now secure .



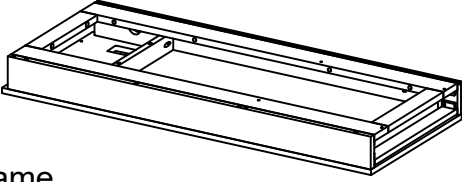
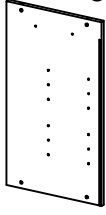
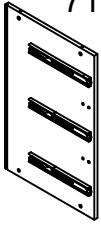
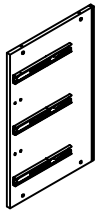
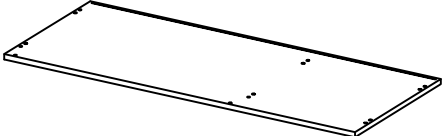
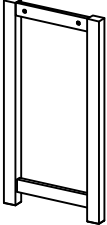

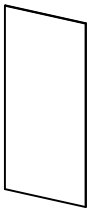

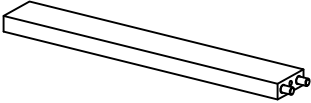

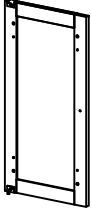
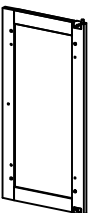

# Assembly Instructions




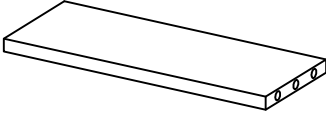
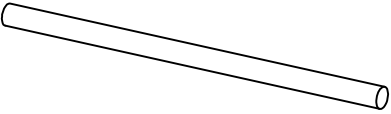
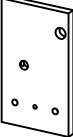
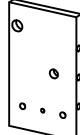

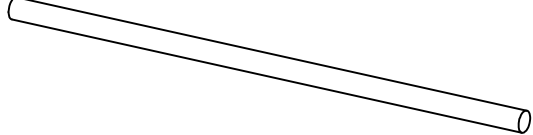
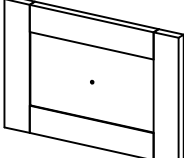
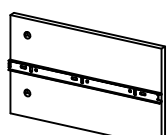
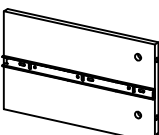

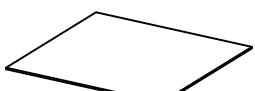
# Assembly Instructions



# Assembly Instructions

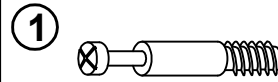
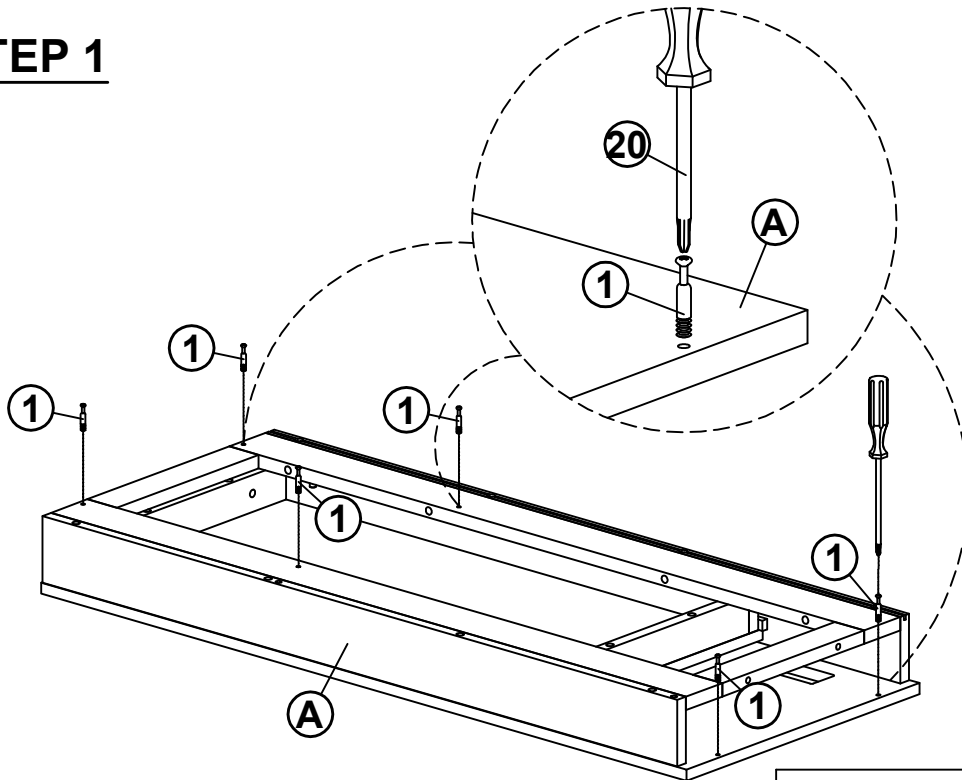
<p><b>(A)</b> 1100 x 450 x 108 mm</p>  <p>Top Frame 1</p>	<p><b>(B)</b> 803 x 450 x 17 mm</p>  <p>Left Side Panel 1</p>
<p><b>(C)</b> 713 x 448 x 17 mm</p>  <p>Right Side Panel 1</p>	<p><b>(D)</b> 713 x 448 x 17 mm</p>  <p>Vertical Panel 1</p>
<p><b>(E)</b> 1100 x 450 x 17 mm</p>  <p>Bottom Panel 1</p>	<p><b>(F)</b> 797 x 405 x 40 mm</p>  <p>Leg Frame 1</p>
<p><b>(G)</b> 722 x 343 x 3 mm</p>  <p>Left Back Panel 2</p>	<p><b>(H)</b> 722 x 358 x 3 mm</p>  <p>Right Back Panel 1</p>
<p><b>(I)</b> 722 x 30 x 12 mm</p>  <p>Middle Back Rail 1</p>	<p><b>(J)</b> 350 x 40 x 18 mm</p>  <p>Right Front Rail 2</p>
<p><b>(K)</b> 694 x 290 x 12 mm</p>  <p>Shelf Panel 2</p>	<p><b>(L)</b> 707 x 345 x 17 mm</p>  <p>Right Door 1</p>
<p><b>(M)</b> 707 x 345 x 17 mm</p>  <p>Left Door 1</p>	<p><b>(N)</b> 650 x 100 x 12 mm</p>  <p>Door Side Panel Right 2</p>

# Assembly Instructions

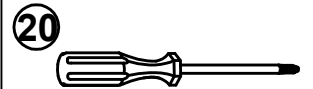
<p>Ⓒ 650 x 100 x 12 mm</p>  <p>Door Side Panel Left</p> <p>2</p>	<p>⒫ 260 x 100 x 12 mm</p>  <p>Door Shelf Panel</p> <p>6</p>
<p>Ⓖ 279 x Ø15 mm</p>  <p>Round Bar</p> <p>6</p>	<p>Ⓖ 170 x 100 x 12 mm</p>  <p>Handle Side - 1</p> <p>1</p>
<p>Ⓒ 170 x 100 x 12 mm</p>  <p>Handle Side - 2</p> <p>1</p>	<p>Ⓖ 361 x 100 x 12 mm</p>  <p>Handle Bottom</p> <p>1</p>
<p>Ⓖ 380 x Ø15 mm</p>  <p>Handle Top</p> <p>1</p>	<p>Ⓖ 346 x 235 x 17 mm</p>  <p>Drawer Face</p> <p>3</p>
<p>Ⓖ 300 x 160 x 12 mm</p>  <p>Drawer Side Panel Right</p> <p>3</p>	<p>Ⓖ 300 x 160 x 12 mm</p>  <p>Drawer Side Panel Left</p> <p>3</p>
<p>Ⓖ 300 x 160 x 12 mm</p>  <p>Drawer Back Panel</p> <p>3</p>	<p>Ⓖ 310 x 298 x 3 mm</p>  <p>Drawer Bottom Panel</p> <p>3</p>

# Assembly Instructions

## STEP 1

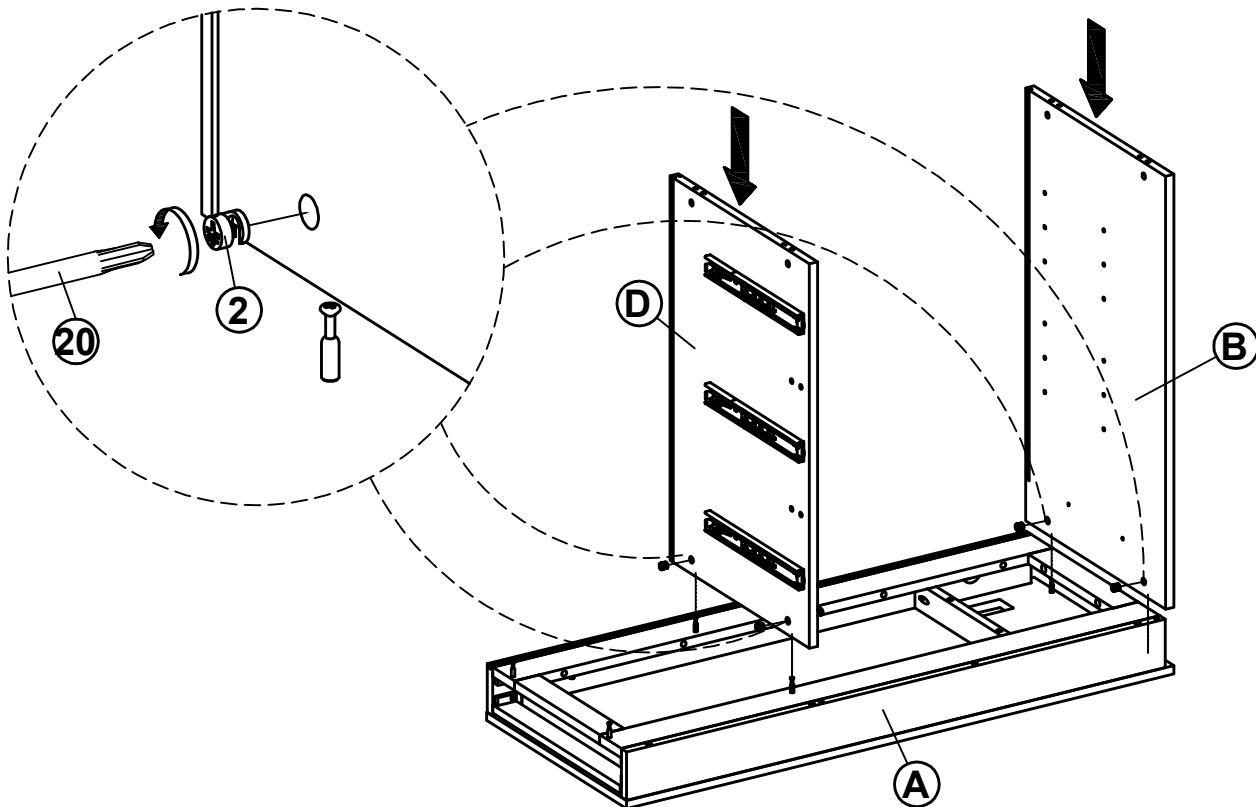


Cam Bolt x 6

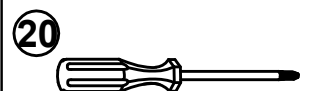


Screwdriver (Not included)

## STEP 2



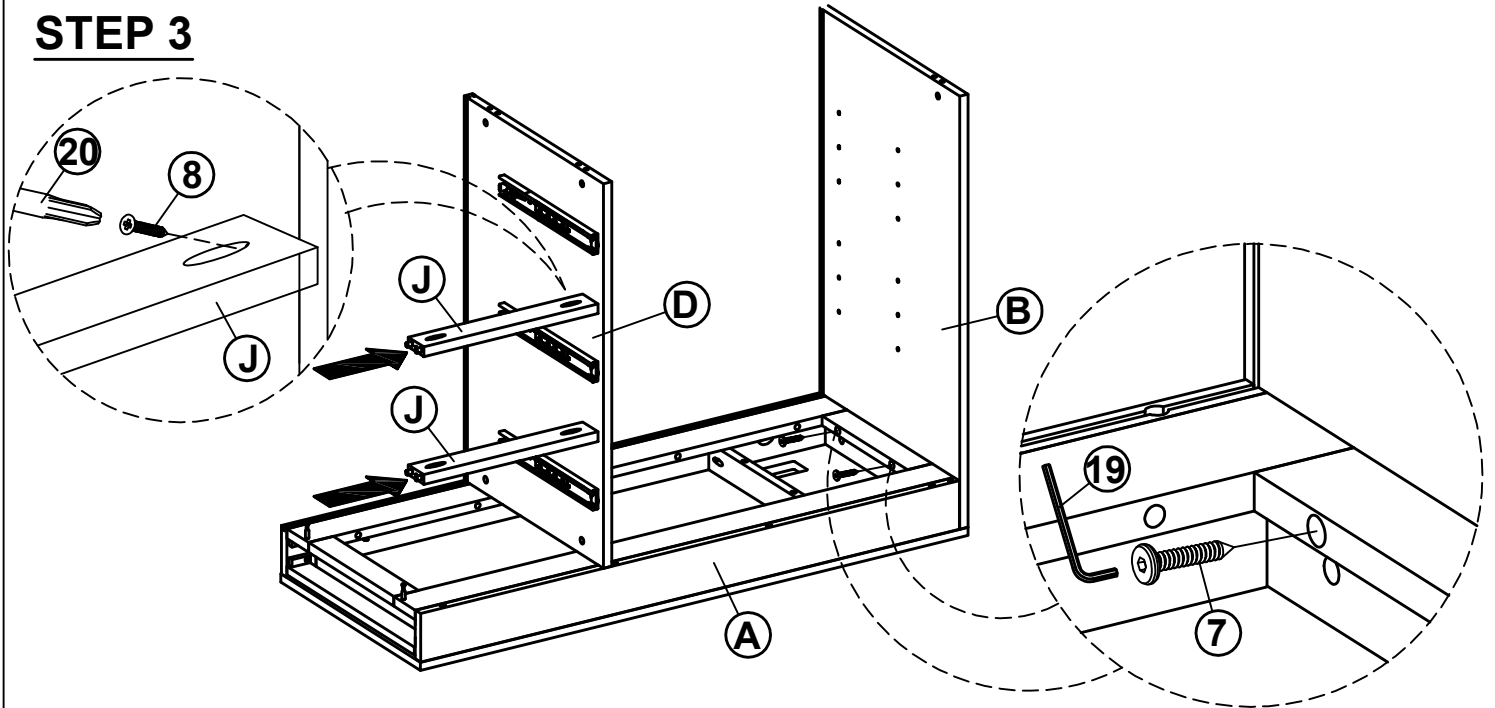
Cam lock x 4



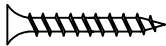
Screwdriver (Not included)

# Assembly Instructions

## STEP 3



8



M4 x 35 mm Screw x 2

7



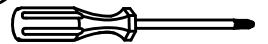
M6 x 50 mm Screw x 2

19



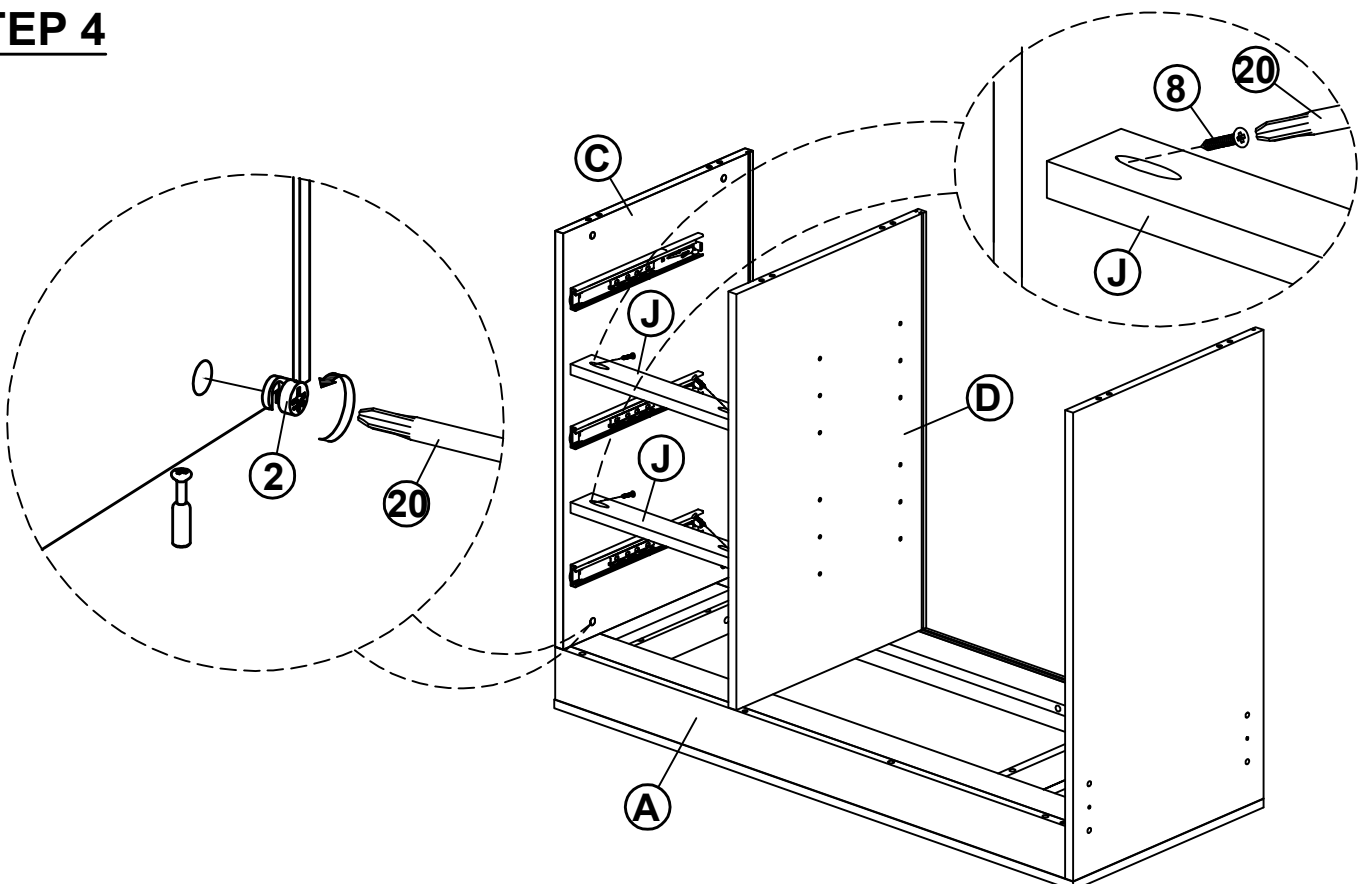
Allen Wrench x 1

20

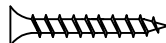


Screwdriver (Not included)

## STEP 4



8



M4 x 35 mm Screw x 2

2



Cam lock x 2

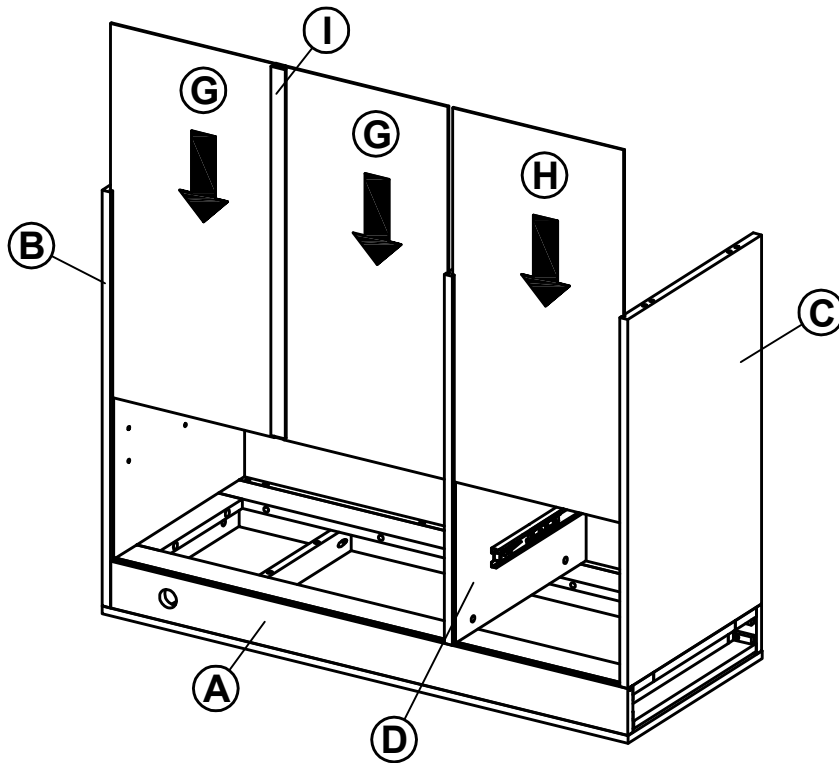
20



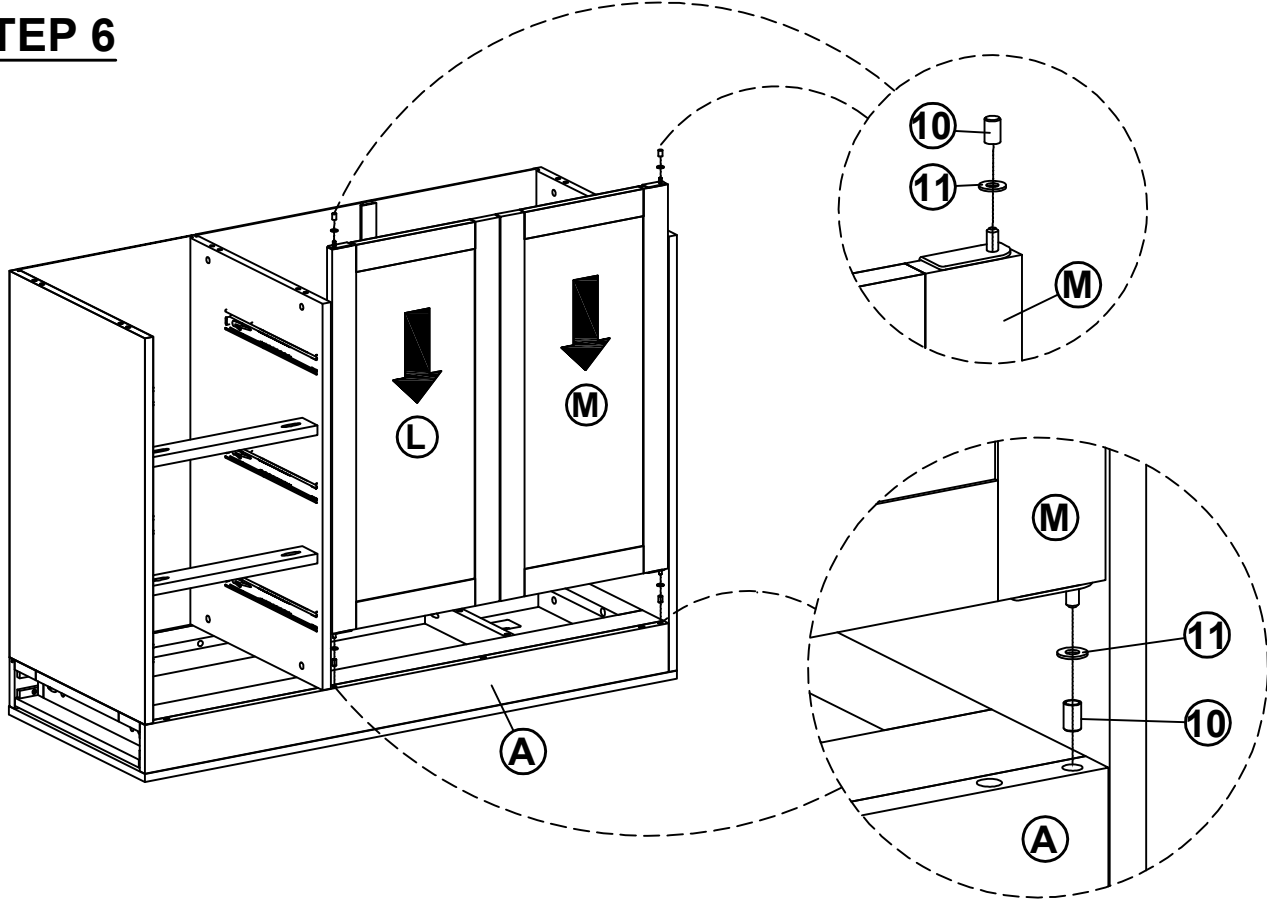
Screwdriver (Not included)

# Assembly Instructions

## STEP 5



## STEP 6



10



Ø7 x 11 mm Door pin x 4

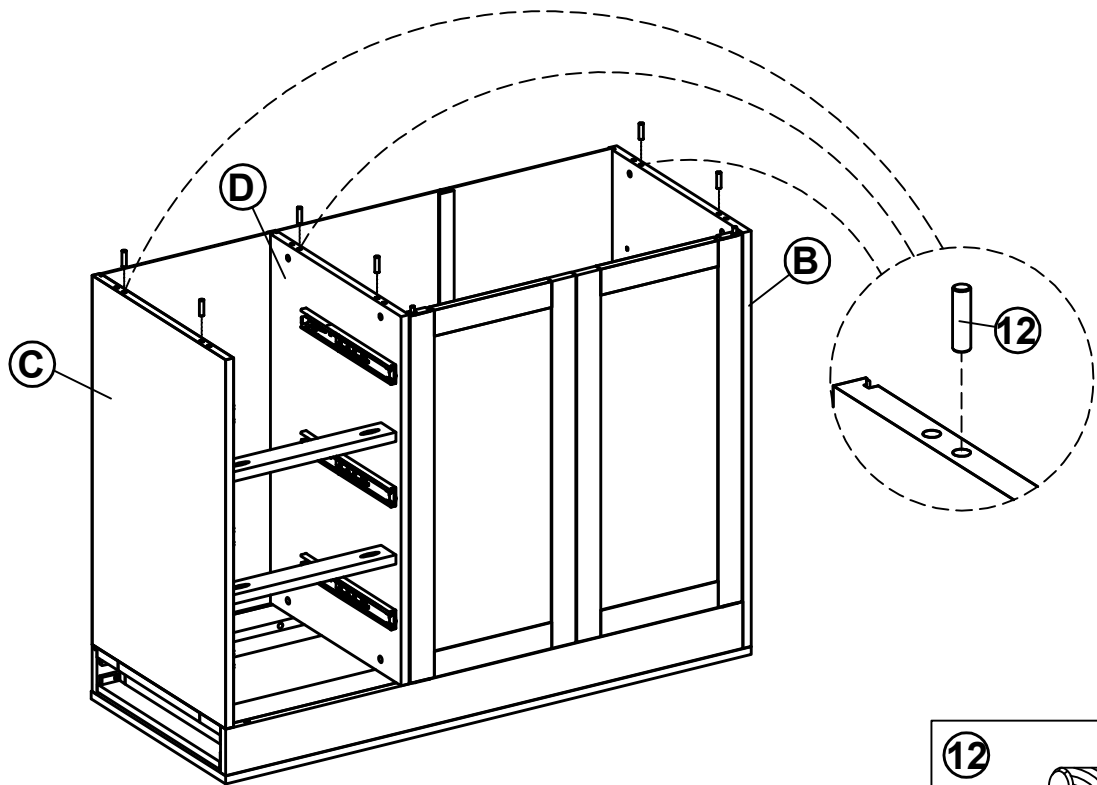
11



Ø5 x 11 Flat washer x 4

# Assembly Instructions

## STEP 7

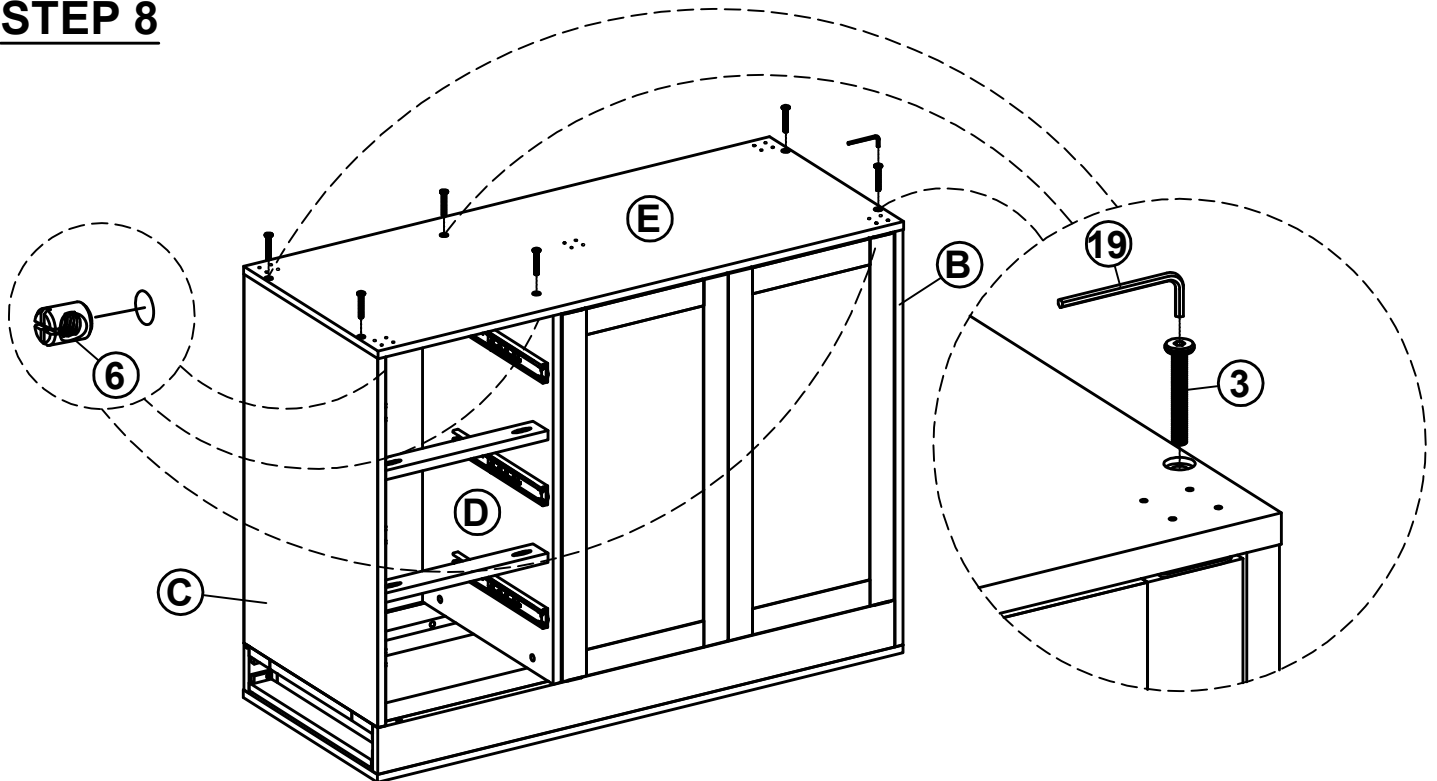


12

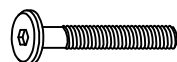


Ø8 x 30 Wood dowel x 6

## STEP 8



3



M6 x 45 mm Bolt x 6

6



M6 x 13 mm Embed-nut x 6

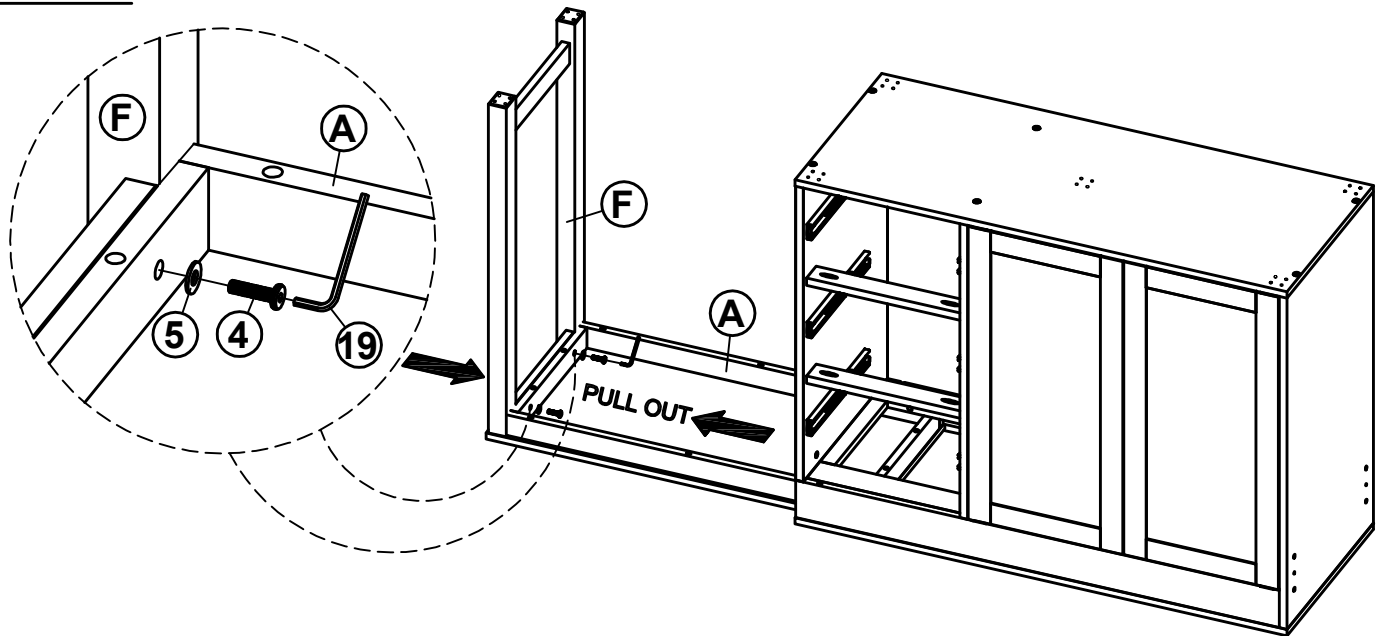
19

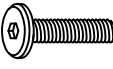
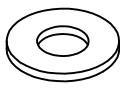



Allen Wrench x 1

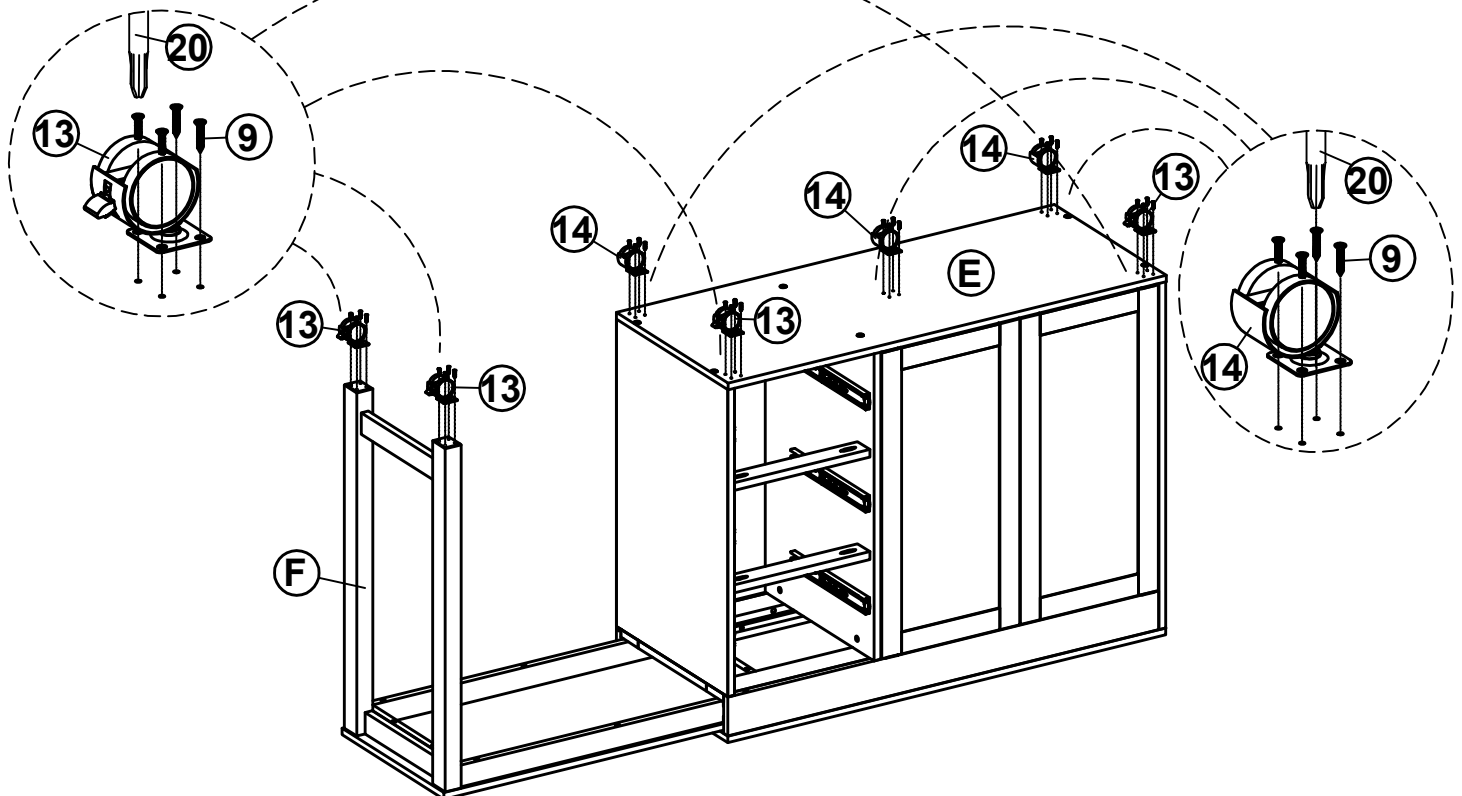
# Assembly Instructions



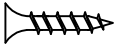

## STEP 9



<p><b>4</b></p>  <p>M6 x 30 mm Bolt x 2</p>	<p><b>5</b></p>  <p>Ø6 x 16 Flat washer x 2</p>	<p><b>19</b></p>  <p>Allen Wrench x 1</p>
---	---	---

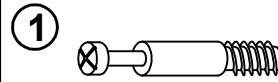
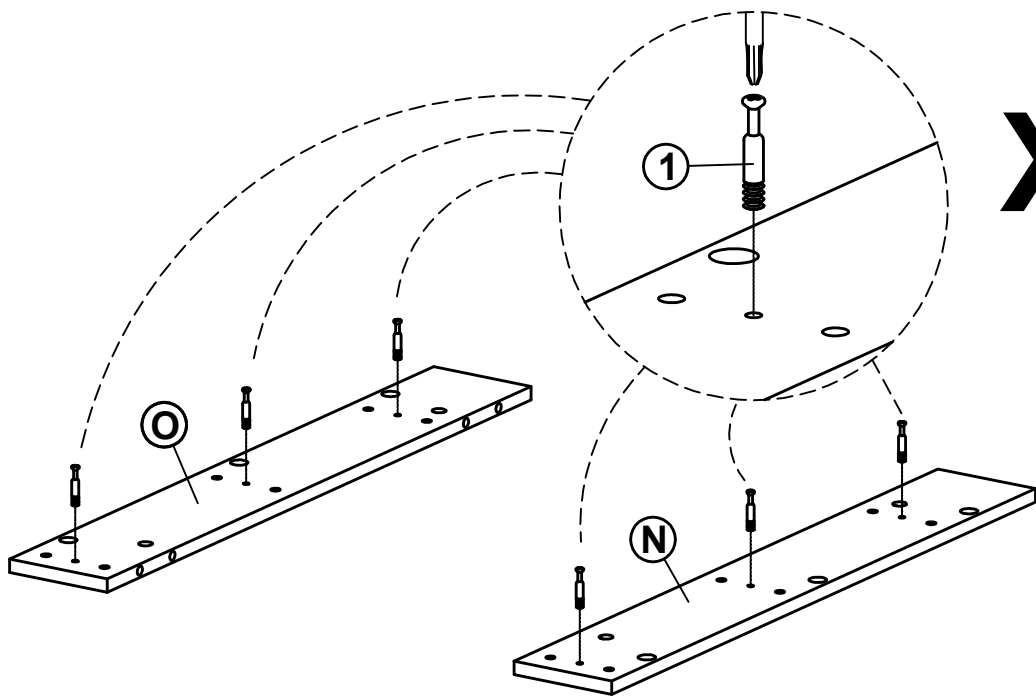
## STEP 10



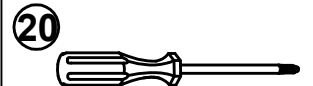
<p><b>13</b></p>  <p>Locking Caster x 4</p>	<p><b>14</b></p>  <p>Caster x 3</p>	<p><b>9</b></p>  <p>M3.5 x 15 mm Screw x 28</p>	<p><b>20</b></p>  <p>Screwdriver (Not included)</p>
--	--	--	--

# Assembly Instructions

## STEP 11

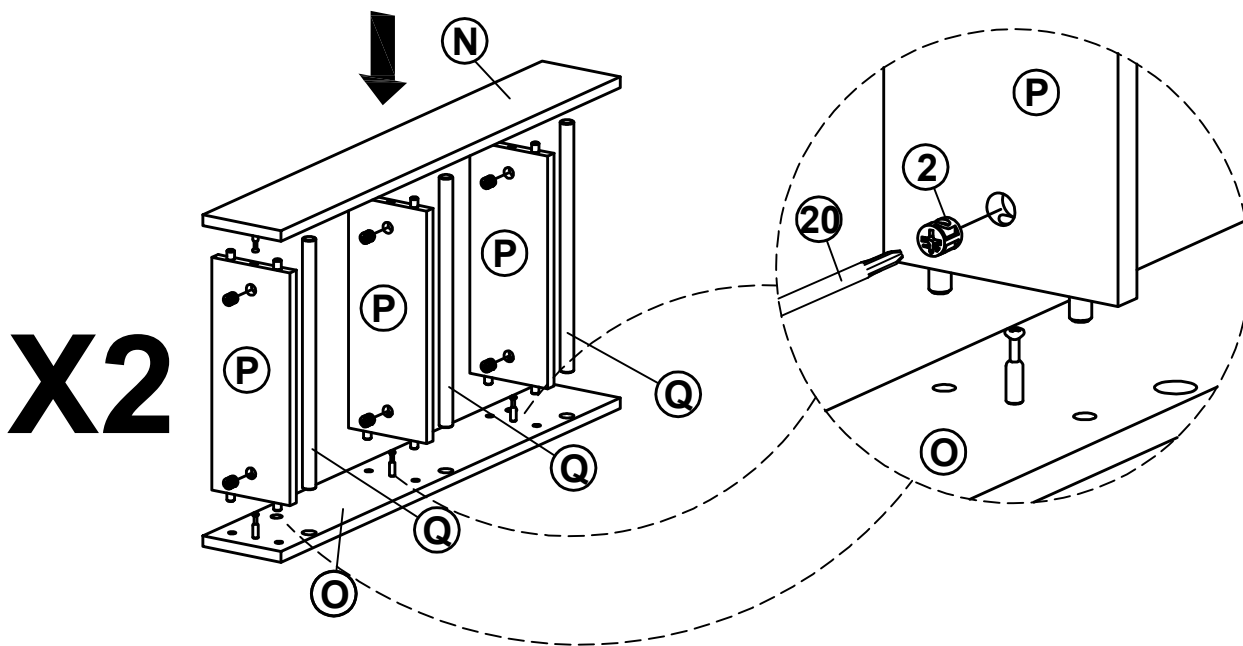


Cam Bolt x 12

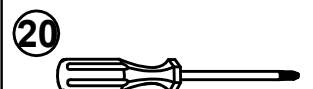


Screwdriver (Not included)

## STEP 12



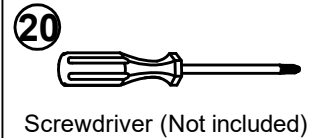
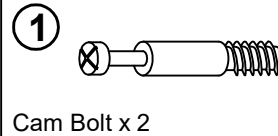
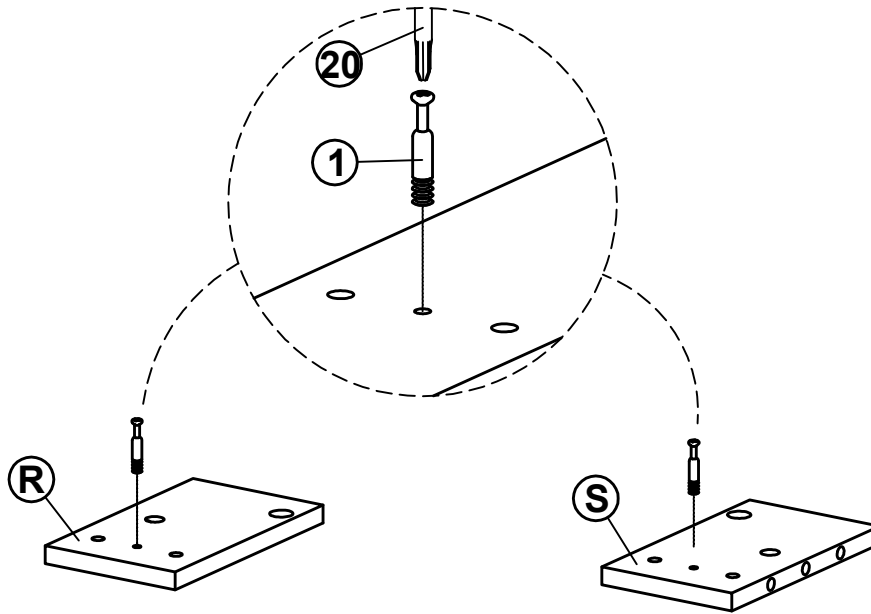
Cam lock x 12



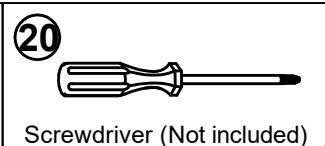
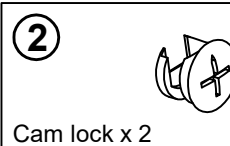
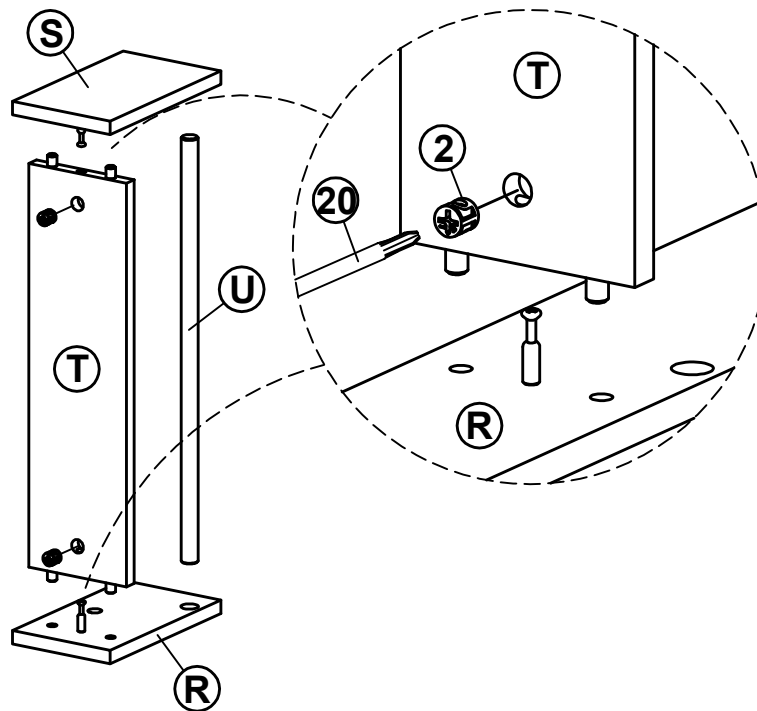
Screwdriver (Not included)

# Assembly Instructions

## STEP 13

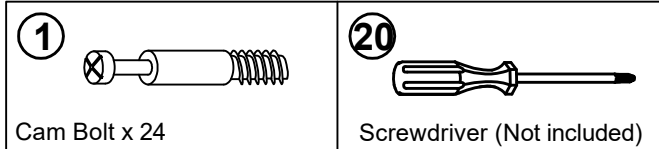
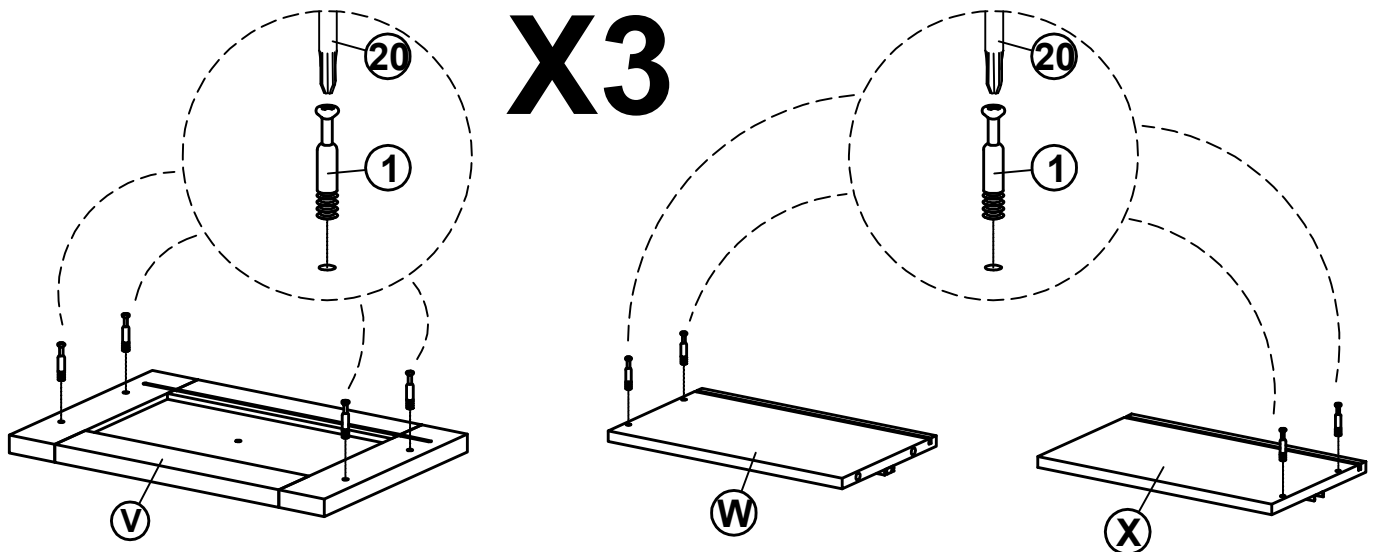


## STEP 14

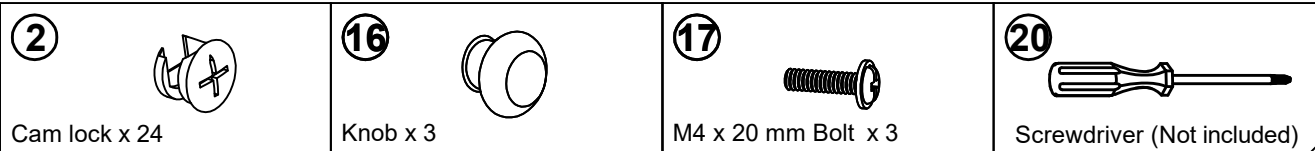
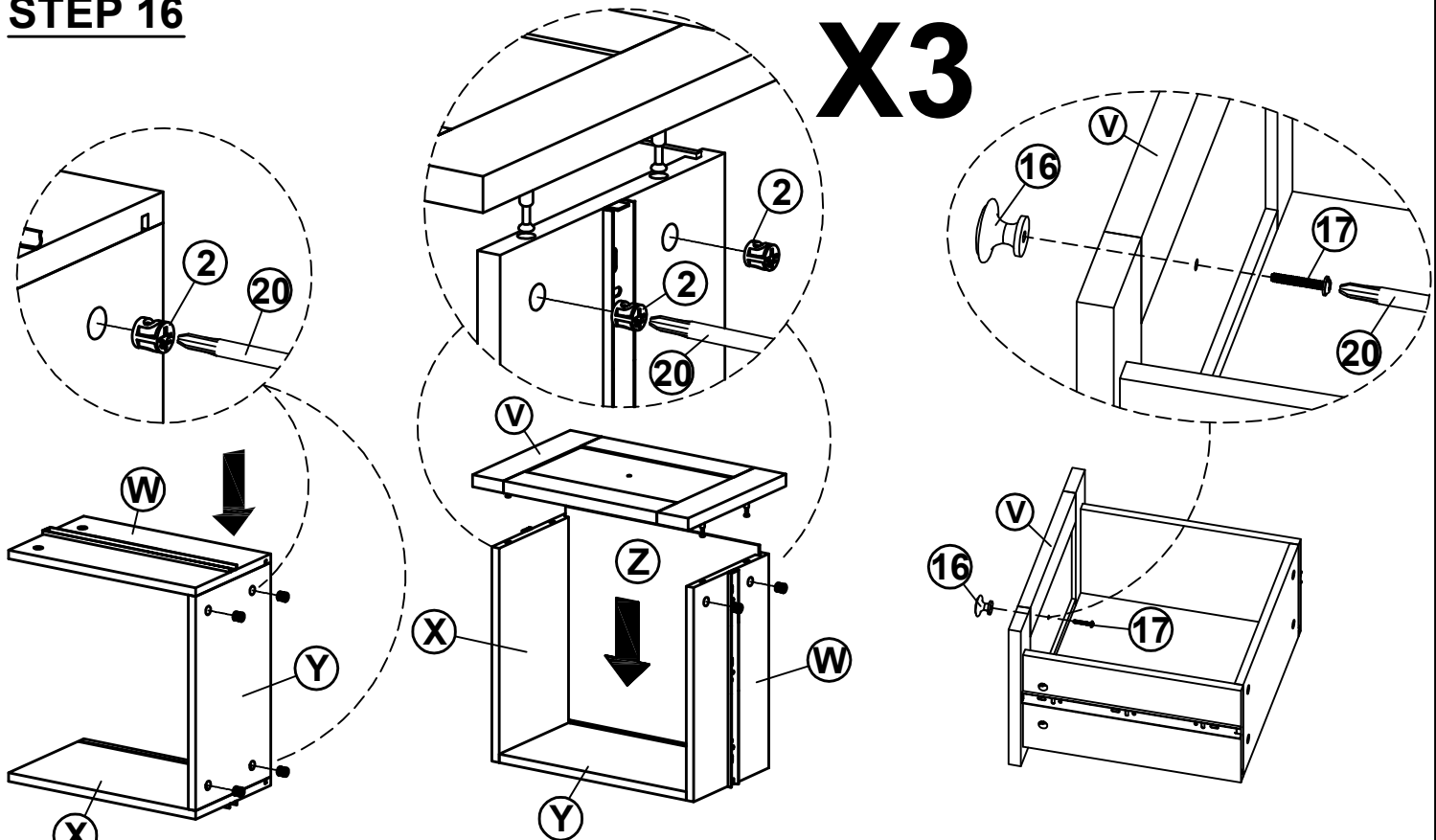


# Assembly Instructions

## STEP 15

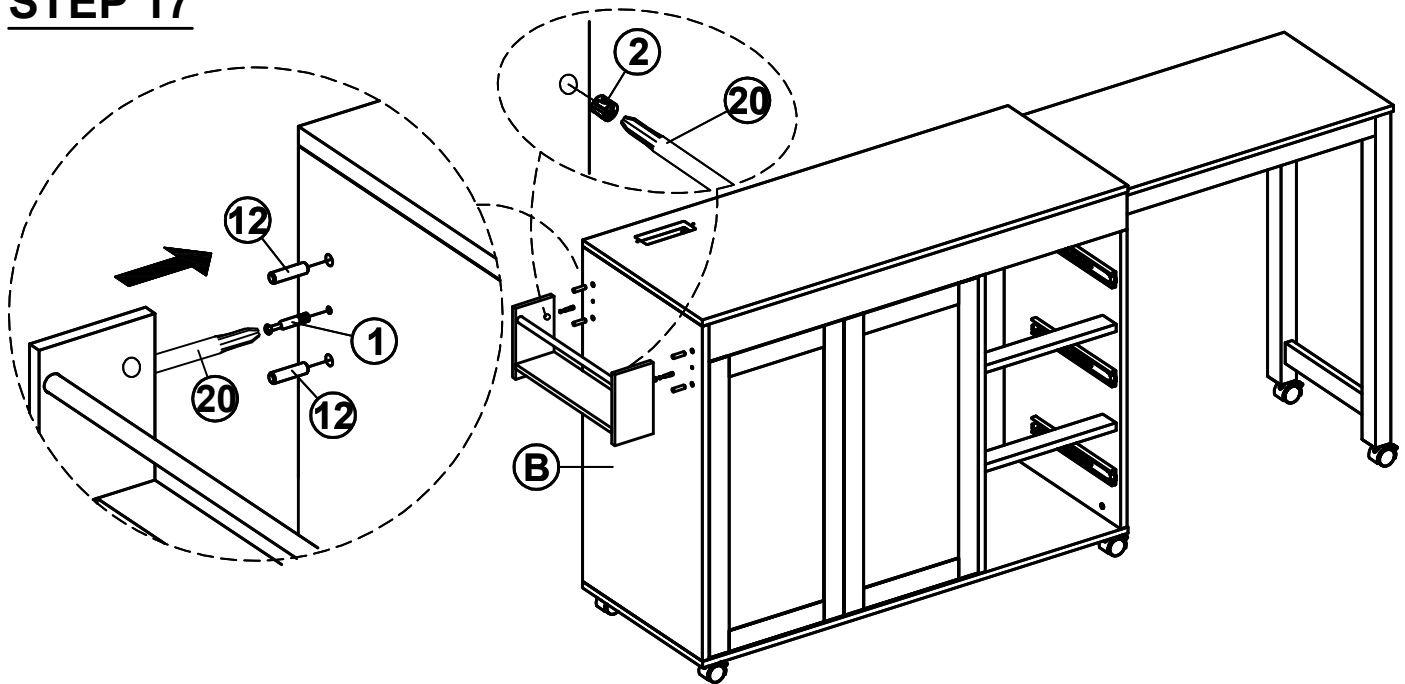


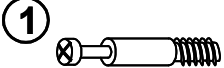



## STEP 16



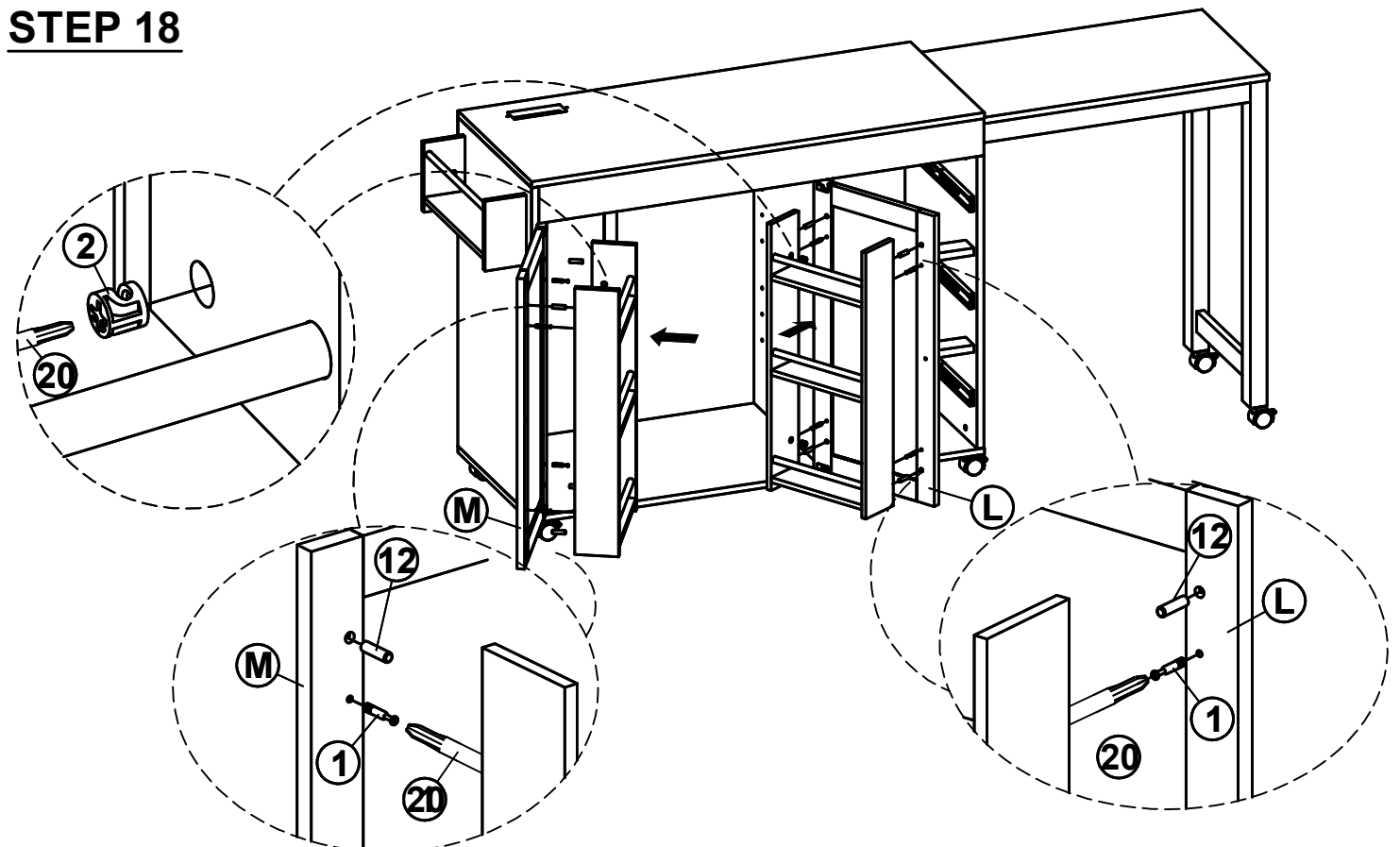
# Assembly Instructions

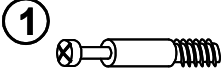



## STEP 17



<p><b>1</b> </p> <p>Cam Bolt x 2</p>	<p><b>2</b> </p> <p>Cam lock x 2</p>	<p><b>12</b> </p> <p>Wood dowel x 4</p>	<p><b>20</b> </p> <p>Screwdriver (Not included)</p>
---	---	--	--

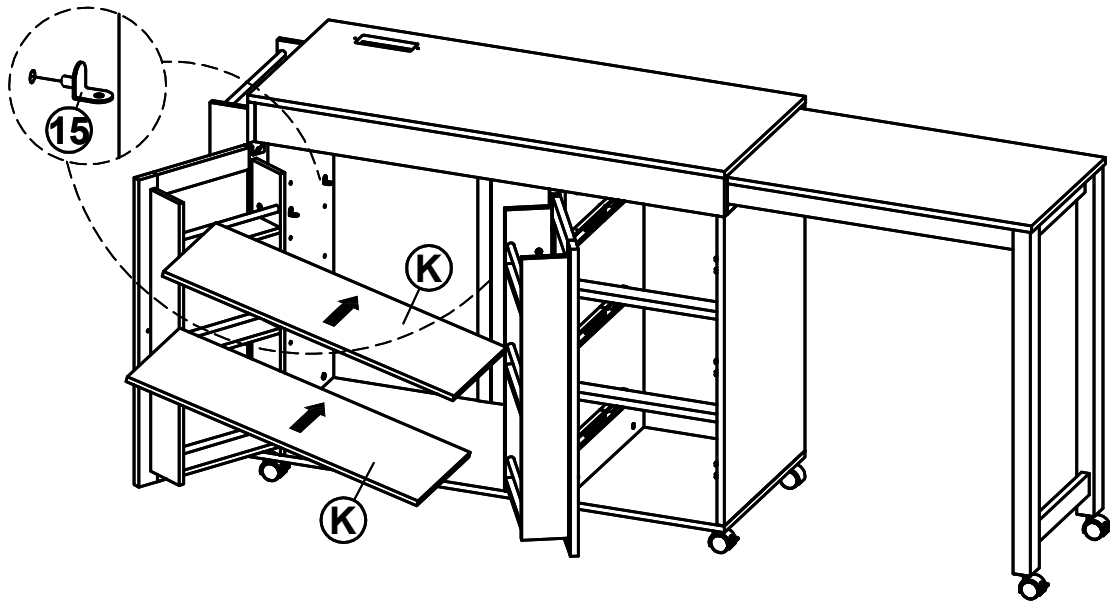
## STEP 18



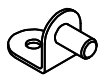
<p><b>1</b> </p> <p>Cam Bolt x 8</p>	<p><b>2</b> </p> <p>Cam lock x 8</p>	<p><b>12</b> </p> <p>Wood dowel x 8</p>	<p><b>20</b> </p> <p>Screwdriver (Not included)</p>
---	---	--	--

# Assembly Instructions

## STEP 19

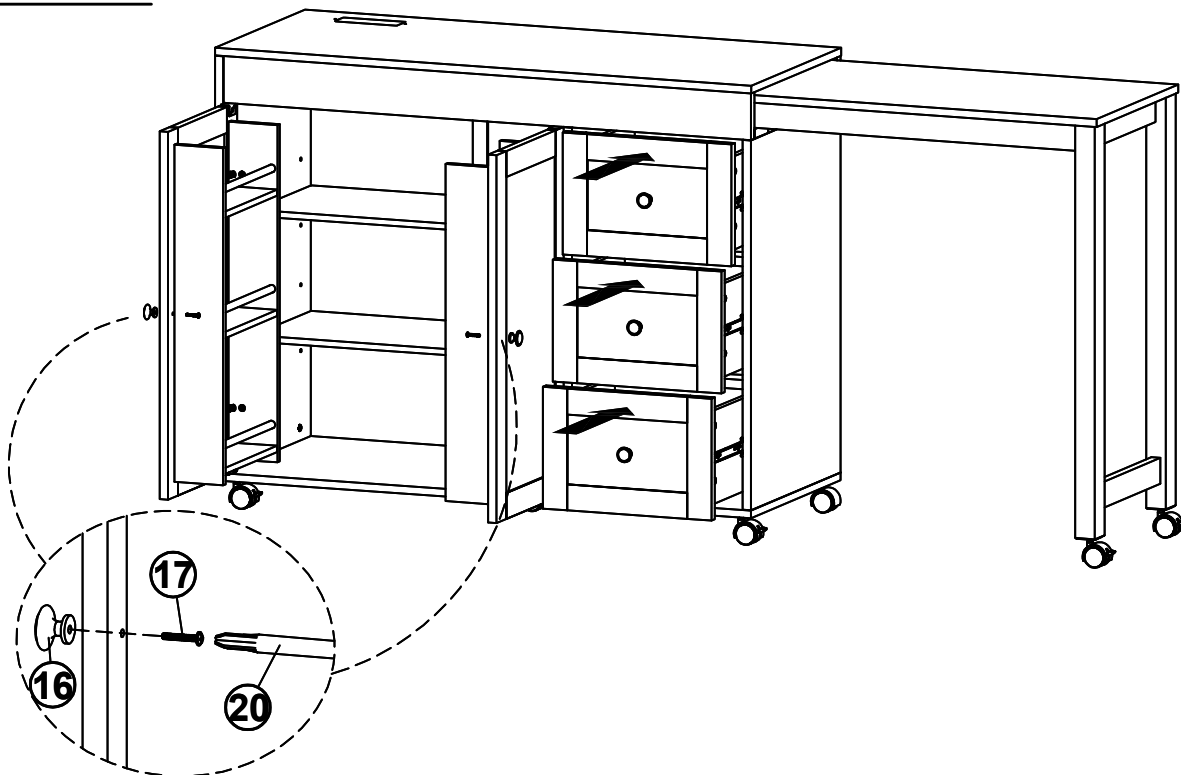


15



Shelf Support x 8

## STEP 20



16



Knob x 2

17



M4 x 20 mm Bolt x 2

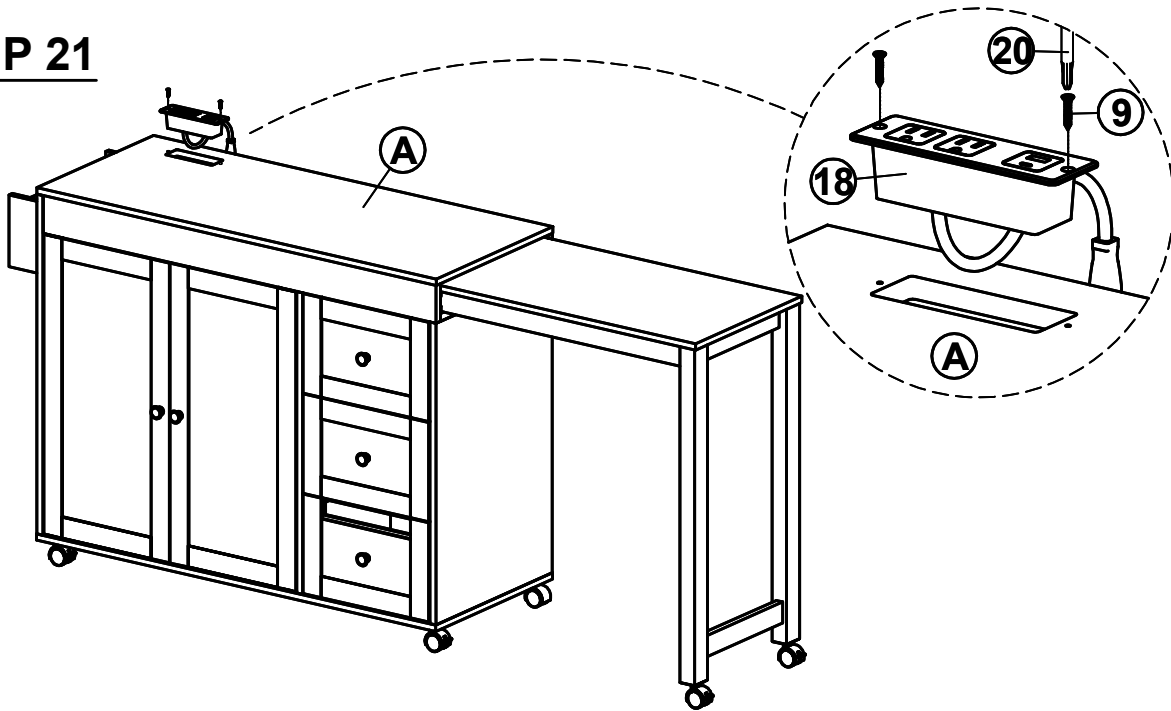
20

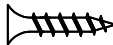
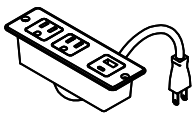



Screwdriver (Not included)

# Assembly Instructions

## STEP 21



<p>9</p>  <p>M3.5 x 15 mm Screw x 2</p>	<p>18</p>  <p>Extension cord x 1</p>	<p>20</p>  <p>Screwdriver (Not included)</p>
--	---	---

## STEP 22

