

# Solid Wood Bed

Assembly Instruction - Please keep properly for future reference.

If you find any missing boxes, damaged parts, or accessory shortages, please contact the customer service team of your purchasing channel immediately. We will resolve the issue as quickly as possible.



## CONTACT US

In order to receive assistance more quickly, please provide

### THE FOLLOWING INFORMATION:

- Order number
- Purchase platform
- Purchase date
- Detailed description of the issue along with photos (if applicable)

**Important** – Please read these instructions carefully before starting the installation.

# Solid Wood Bed

V1.0

EN

# Before Assembly



Thank you for choosing this product!

To ensure safe use and long-term maintenance, please read this manual carefully and keep it properly for future reference.

## Important Notice:

- To ensure a smooth and successful installation, please read this guide carefully. It provides essential information about the required tools, materials, and assembly steps. Follow the instructions in each section to avoid any issues caused by improper installation.
- Please review all operational and safety guidelines to ensure proper and secure assembly.
- This guide reflects the most current product information available at the time of printing. We reserve the right to make changes to product features, packaging, or availability without prior notice.
- Before starting assembly, ensure that all necessary electrical and environmental preparations are completed.
- This manual contains important instructions regarding installation, cleaning, and maintenance. Please read it thoroughly and keep it for future reference.

# Safety Warnings



## 1. Follow Warning Labels

Do not remove, alter, or obscure any warning labels on the product or packaging. Always adhere to the displayed safety instructions to ensure proper usage.

## 2. Conduct Regular Inspections

Periodically inspect all components to ensure they are properly installed, undamaged, and securely fastened. Report any issues to customer support immediately.

## 3. Practice Safe Usage

Avoid playing, jumping, or engaging in activities on or under the bed, as this may cause injury or structural damage.

## 4. Beware of Rope Hazards

Do not attach ropes, hooks, straps, or any non-designated accessories to any part of the bed, as this may pose a safety hazard.

## 5. Keep This Manual for Reference

Store this manual in a safe and accessible place for future reference.

## 6. Safety is a Shared Responsibility

Ensuring safety is a joint responsibility between the manufacturer and the user. Please follow all safety precautions during assembly and use.

## Disclaimer

We are committed to delivering safe, high-quality, and reliable products to our customers. If you have any questions, concerns, or require further assistance, please contact our customer service team without hesitation.



# Maintenance and Care Recommendations

## 1. Regular Cleaning

To maintain hygiene and prevent bacterial growth, clean the product regularly. Use a damp, well-wrung cloth to avoid excess moisture and prevent surface scratches.

## 2. Prevent Corrosion

Keep the product away from acidic or alkaline substances, as they may cause corrosion or damage to the materials.

## 3. Use Only Authorized Replacement Parts

Do not use unauthorized or third-party replacement parts, as they may compromise the product's safety and durability. If a replacement is needed, contact the manufacturer or an authorized dealer for approved parts.

## 4. Cleaning Precautions

Do not machine wash or rinse any part of the product directly with water, as this may damage the materials and reduce product lifespan.

## 5. Prevent Pests

Keep wooden furniture away from damp or humid areas to prevent pest infestations and wood damage. Use a dehumidifier or air conditioner during humid seasons to maintain a dry environment.

## 6. Protect from Sunlight

Avoid placing furniture in direct sunlight, as prolonged exposure may cause cracking, discoloration, or fading. If sunlight exposure is unavoidable, use curtains or shades to minimize damage.

## 7. Keep Away from Fire

Position furniture away from heat sources and open flames to prevent damage and maintain its condition.

## 8. Perform Regular Care

Apply furniture oil periodically to maintain the wood's shine, prevent cracks, and extend its lifespan.

## 9. Clean Frequently

Regularly vacuum dust and debris, especially underneath furniture, to keep it clean and hygienic.

## 10. Maintain a Dry Environment

Ensure good ventilation to prevent moisture buildup, which can damage wood. Use a dehumidifier if necessary to protect the furniture.

## 11. Avoid Corrosive Liquids

Keep furniture away from acidic or alkaline substances, as these can damage the surface and reduce durability.

## 12. Use a Damp Cloth for Cleaning

Wipe furniture with a well-wrung damp cloth to prevent water damage or swelling. Avoid excessive moisture exposure.

## 13. Limit Sun Exposure

Excessive sunlight can dry out and weaken wood. Position furniture in shaded areas or use UV-blocking curtains to protect it from damage.

# Customer Service Guide



Thank you for choosing our product! We are committed to providing you with excellent service. If you find any missing parts, damaged packaging, or product damage after receiving all packages, please follow the steps below to quickly contact our customer service team. We will do our best to resolve your issue.

## 1. Missing Parts

### Verify Parts:

1. Refer to the "Parts List" in the manual to verify the name, specifications, and quantity of the missing parts.
2. Take a clear photo of the parts list and mark the missing parts with detailed information, e.g., "Missing 5 pieces of M6×30mm screws."

## Contact Us:

### By Email:

Send an email with the subject line "Missing Parts Issue." Include the following in the email:

- A description of the missing parts and a photo of the parts list.
- Order details (order number, purchase platform, purchase date).

## 2. Product or Packaging Damage

### If it affects normal use:

#### Steps:

1. Take clear photos or videos showing the damaged parts and the extent of the damage (multi-angle shots are recommended).
2. Email the photos/videos along with order details with the subject line "Product Damage Issue."

#### Resolution:

After verification, we will arrange for a replacement part, product exchange, or refund as quickly as possible.

### If it does not affect normal use:

#### Steps:

1. Contact our customer service team.
2. Provide a description of the damage and include relevant photos or videos.

#### Resolution:

We will provide repair guidance or an appropriate compensation plan based on the specific situation.

## Helpful Tips

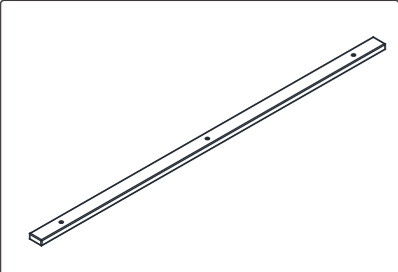
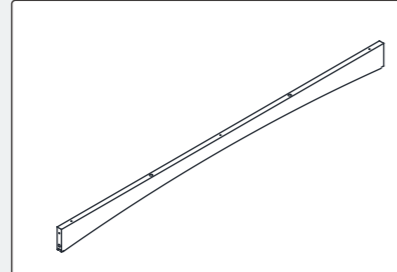
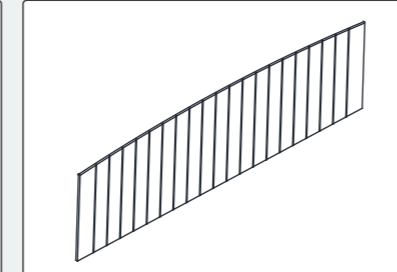
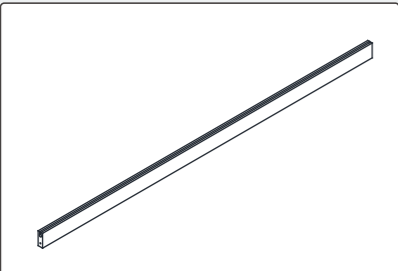
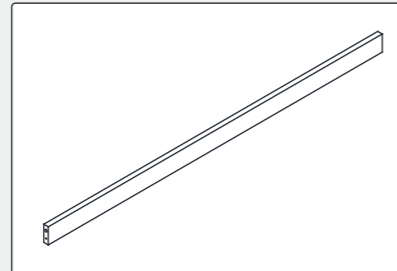
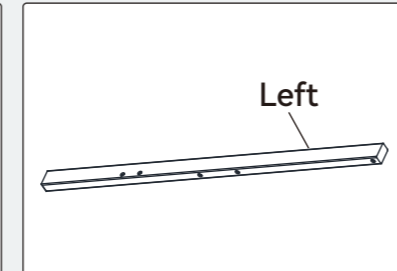
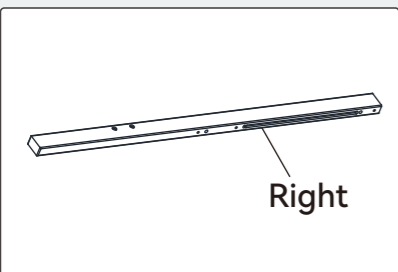
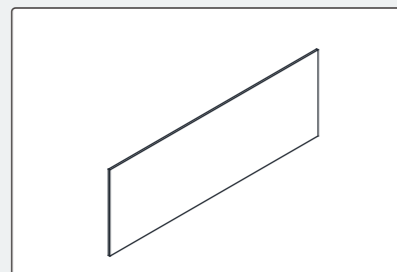
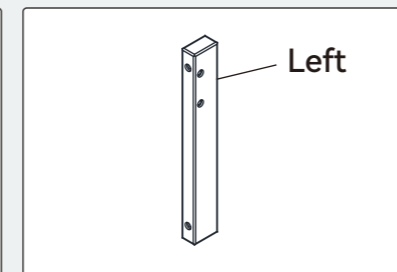
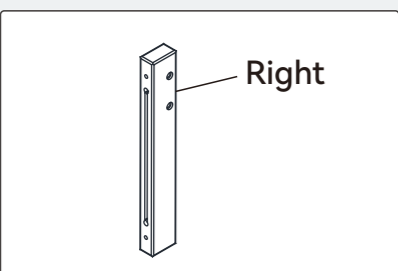
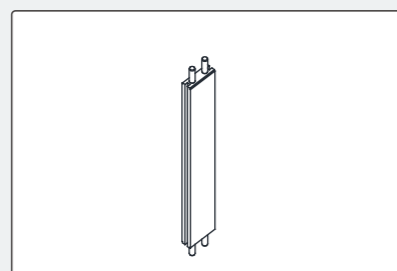
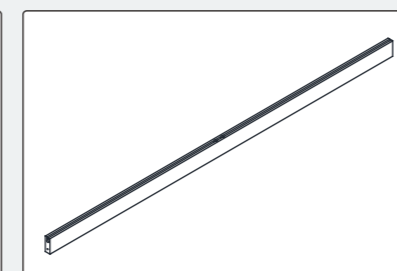
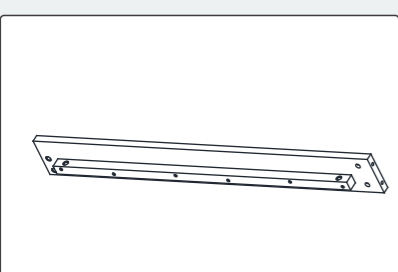
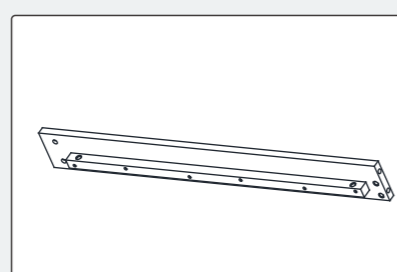
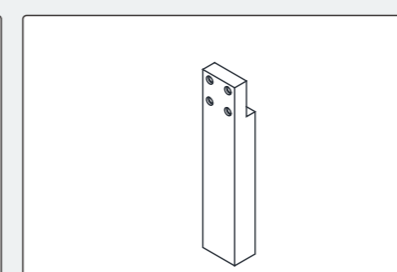
### To process your issue efficiently, please prepare the following information:

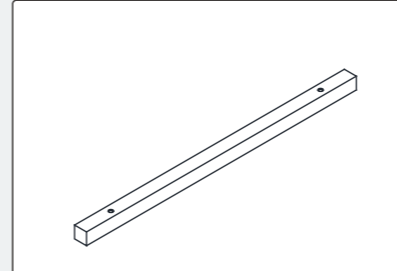
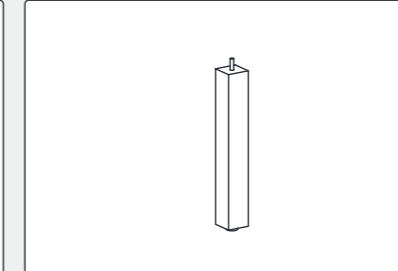
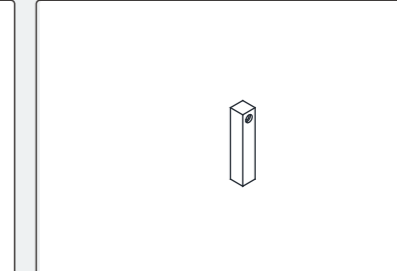
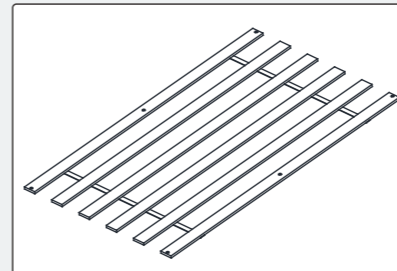
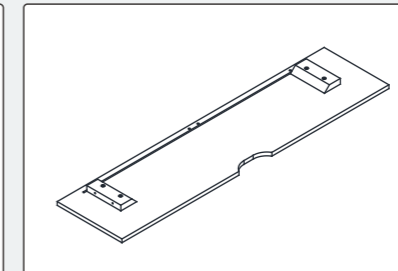
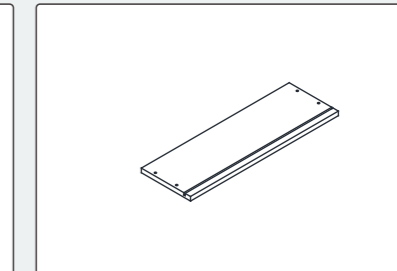
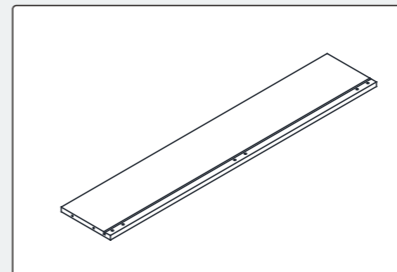
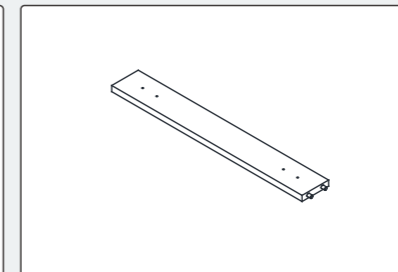
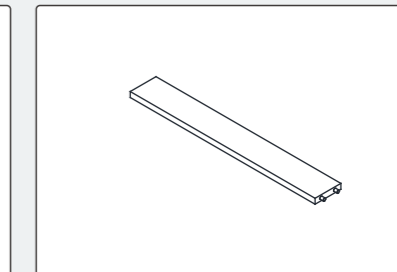
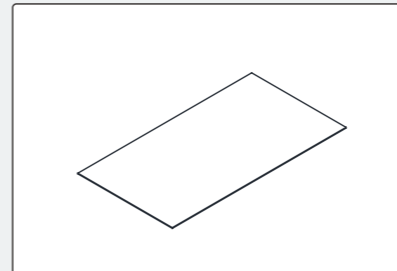
- Order details (order number, purchase platform, purchase date).
- Clear photos or videos.
- We are committed to providing quick and professional solutions, no matter the size of the issue, to ensure your satisfaction.

**Thank you for your trust and support!**  
**We hope you enjoy using our product!**



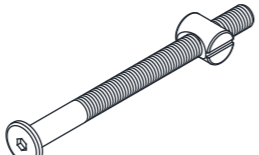
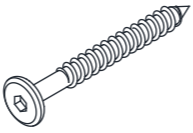
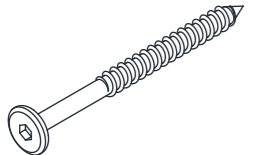

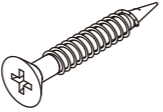
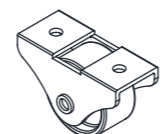




## Parts List



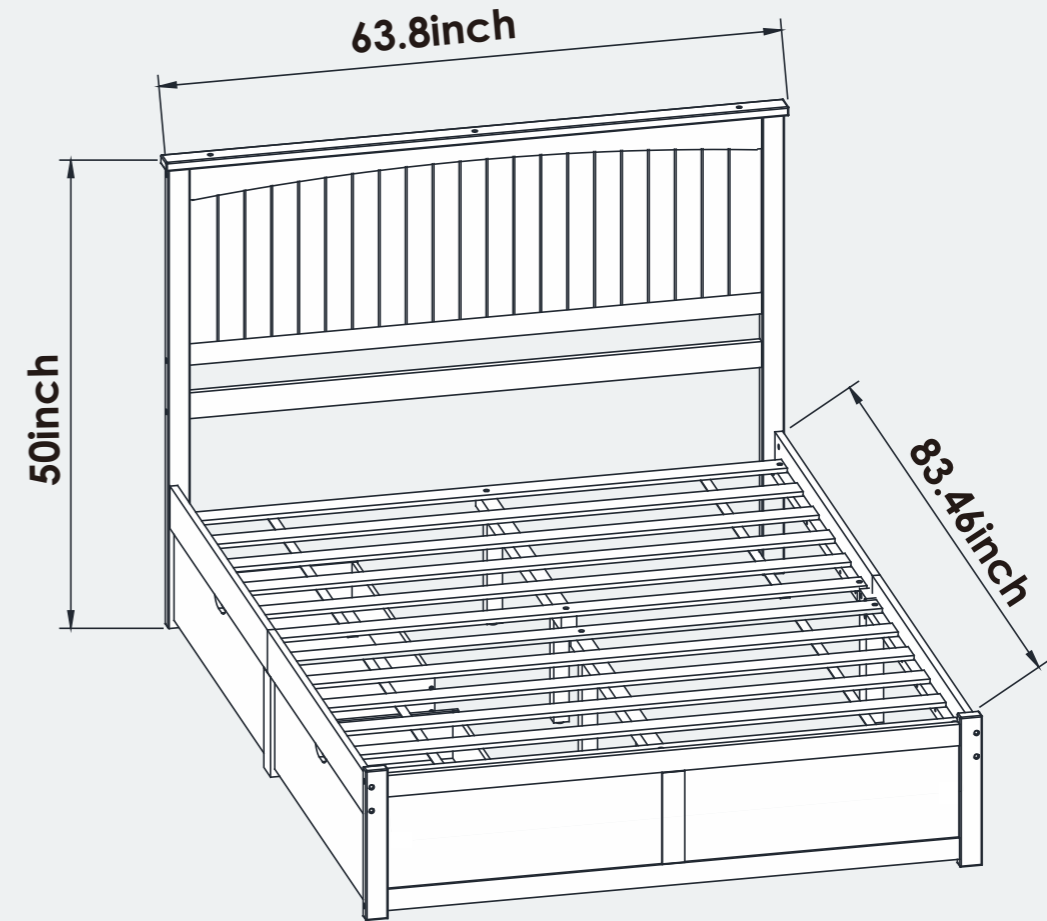
 <b>1</b> x1	 <b>2</b> x1	 <b>3</b> x1
 <b>4</b> x1	 <b>5</b> x1	 <b>6</b> x1
 <b>7</b> x1	 <b>8</b> x2	 <b>9</b> x1
 <b>10</b> x1	 <b>11</b> x1	 <b>12</b> x2
 <b>13</b> x2	 <b>14</b> x2	 <b>15</b> x2

 <b>16</b> x2	 <b>17</b> x4	 <b>18</b> x4
 <b>19</b> x2 set	 <b>20</b> x2	 <b>21</b> x4
 <b>22</b> x2	 <b>23</b> x4	 <b>24</b> x2
 <b>25</b> x2		

### Hardware List

			
<b>A</b> $\Phi$ 5/16x25mm x12	<b>B</b> $\Phi$ 5/16x38mm x12	<b>C</b> $\Phi$ 5/16x83mm x8	<b>D</b> $\Phi$ 6.5x50mm x3
			
<b>E</b> $\Phi$ 6.5x100mm x10	<b>F</b> $\Phi$ 10x40mm x16	<b>G</b> (#9)5x32mm x28	<b>H</b> $\Phi$ 25xH30mm x8
			
<b>I</b> (#7)x12mm x16	<b>J</b> $\Phi$ 21mm x17	<b>K</b> $\Phi$ 30x13mm x4	<b>L</b> M4x100mm x1

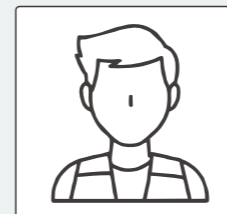
### Queen Size



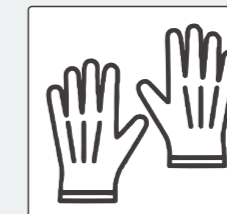
**Important:**

In each of the previous steps, tighten all screws to approximately 70% to stabilise the overall frame during assembly. Do not fully tighten any screws until the final step is completed.

### Tools & Equipment



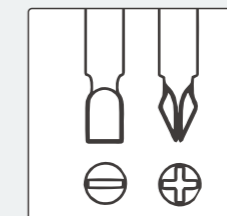
2 people needed



Work gloves

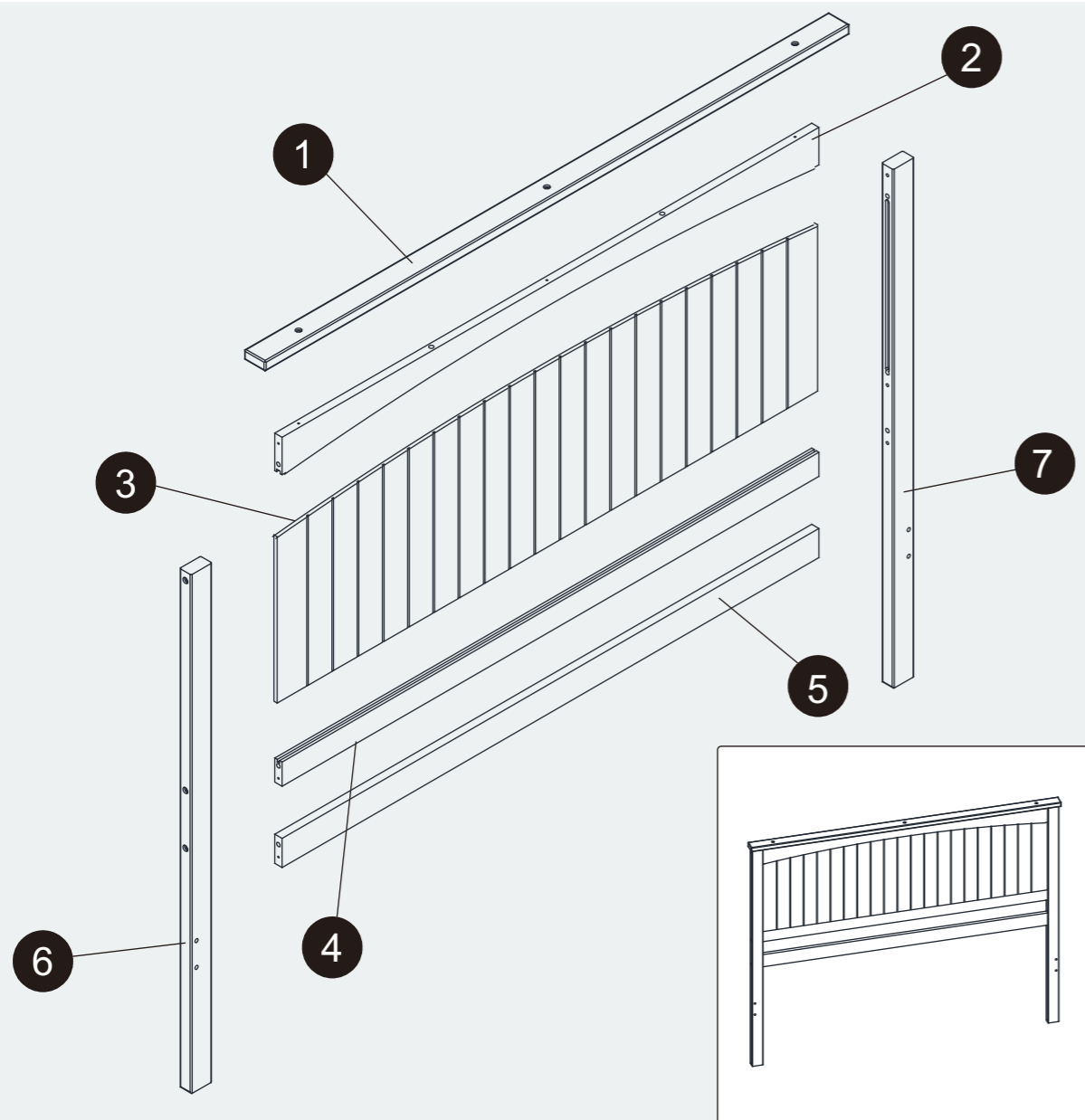


Tape measure






Other Tools Required  
Phillips Screwdriver  
(Not Included)

# Headboard Section Installation



The headboard section assembly requires a total of 7 labeled panels shown in the diagram. Please locate all of them and prepare them for use.

## Hardware Accessory List

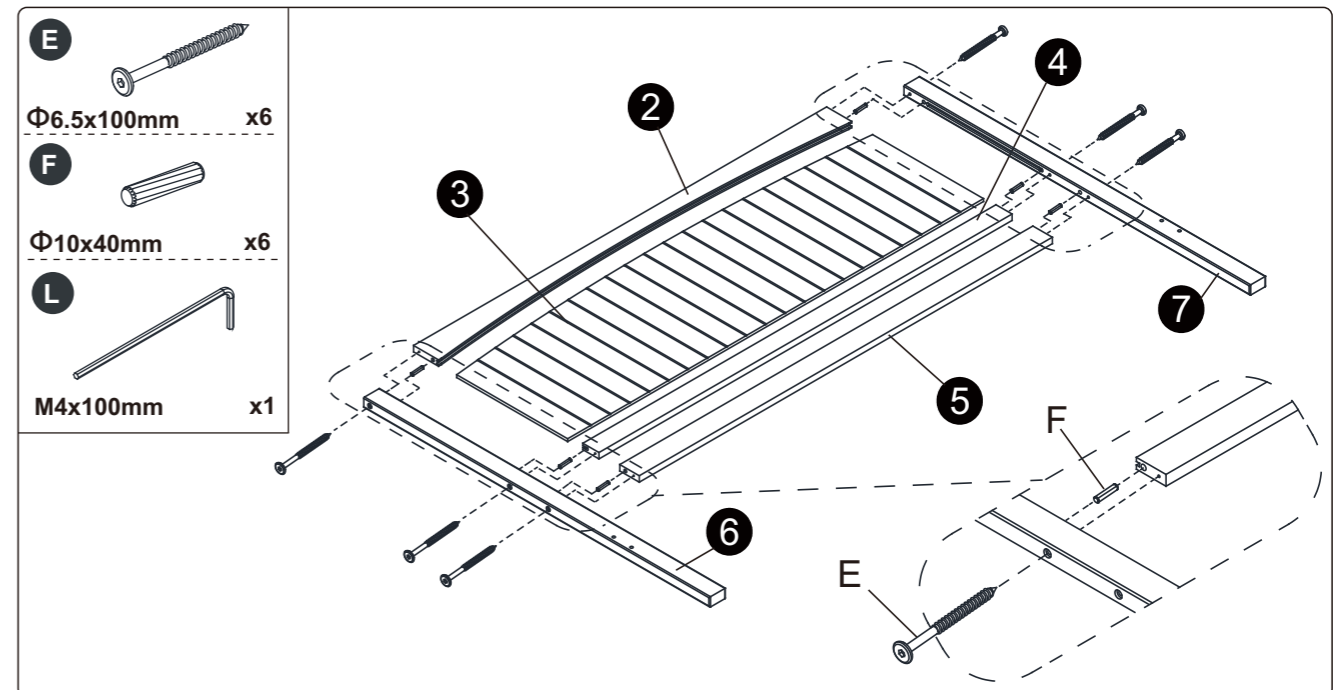
<b>D</b>		Φ6.5x50mm <b>X3</b>
<b>E</b>		Φ6.5x100mm <b>X6</b>
<b>F</b>		Φ10x40mm <b>X8</b>

## Note:

Before beginning assembly, please verify that all hardware components are included. If any parts are missing or damaged, contact customer service immediately for a replacement.

## Step 1

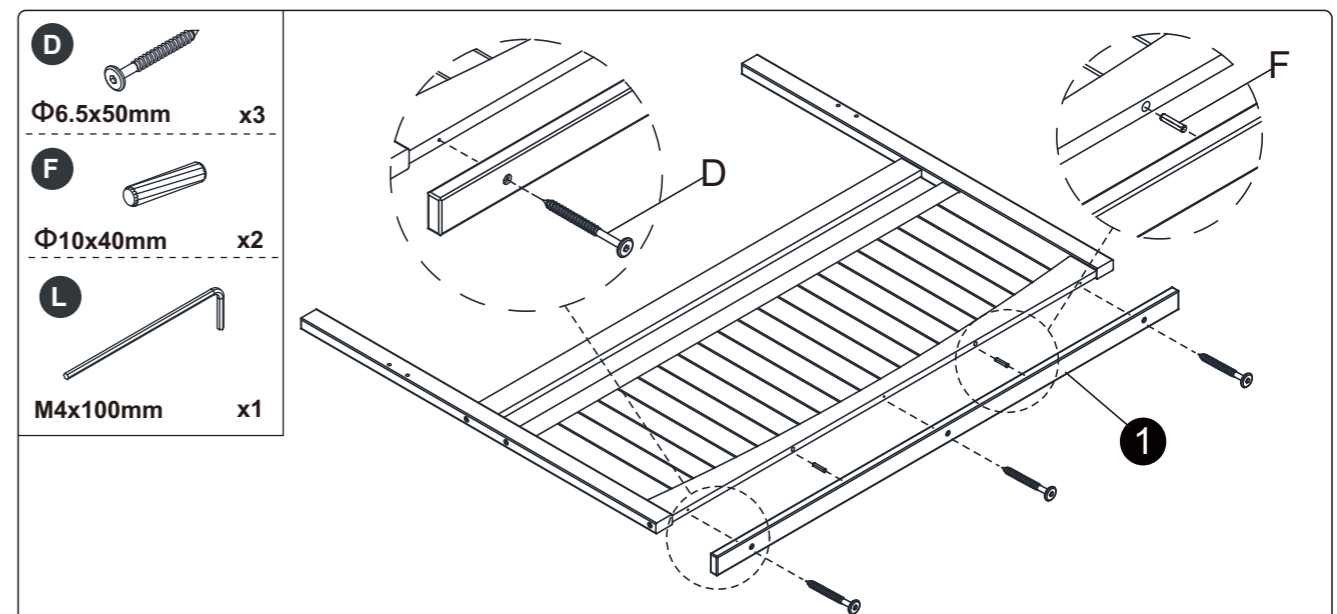
## Headboard Section



Align Crossbar Top (2), Crossbar (4), and Headboard (3) into the grooves. As illustration, use Dowels (F) into crossbar (4) and Crossbar Bottom (5), attach them into the holes along left and right headboard leg (6&7). Insert Bolts (E) into the holes along headboard legs, secure and fully tighten using the Wrench.

## Step 2

## Headboard Section



Attach the Headboard Top 1 to the assembled frame (from Step 1) using Dowels (F) and Wood Screws (D) as illustration.

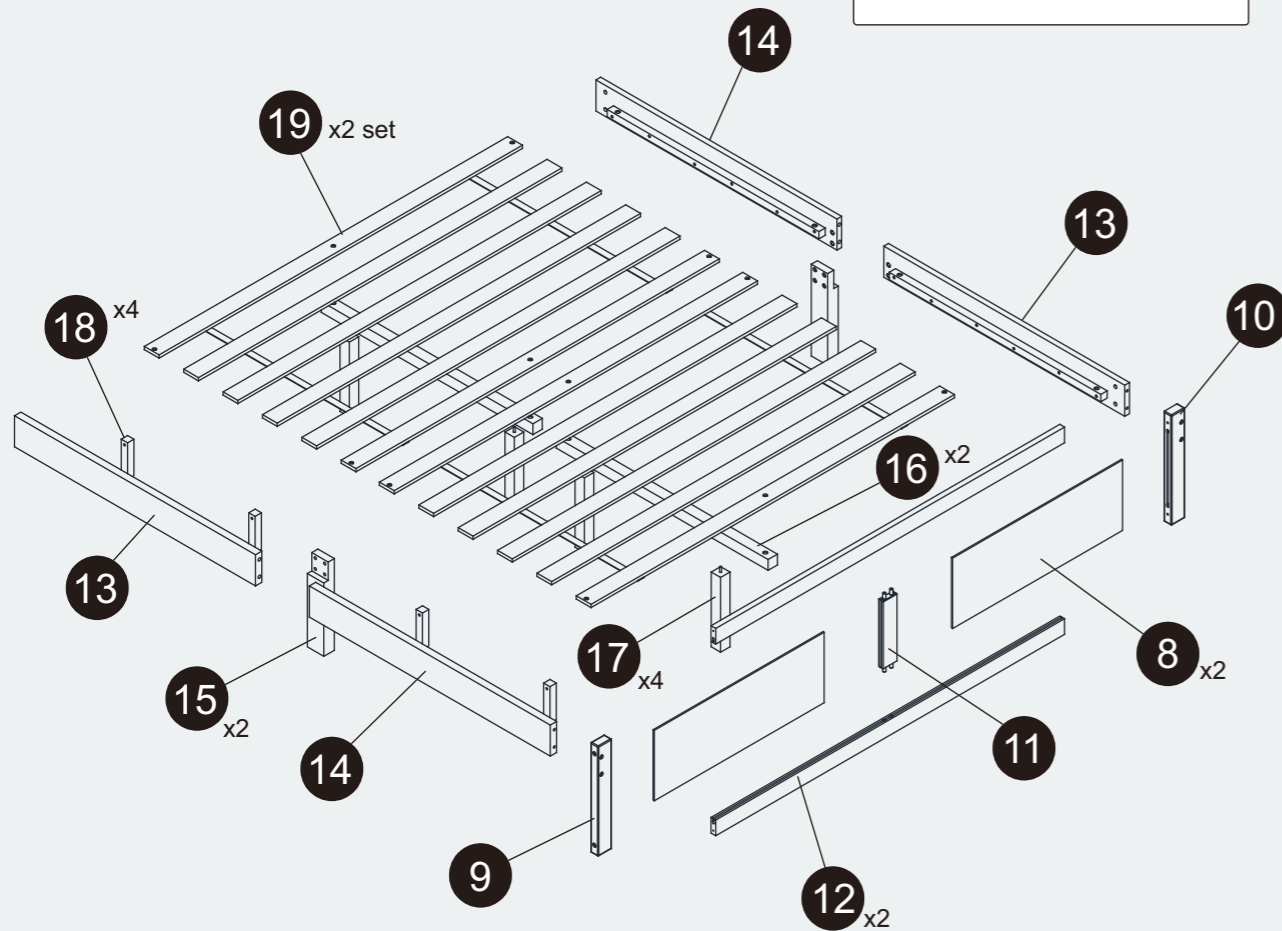
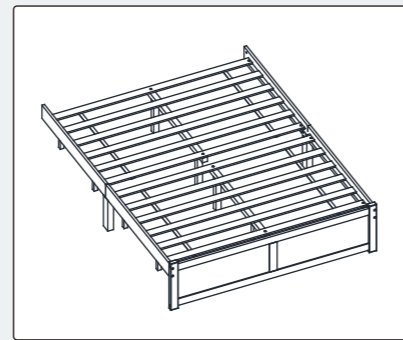
## Note:

For easier assembly, stand the structure assembled in Step 1 upright before attaching the Headboard Top 1.

# Frame Parts Section Installation



The Frame Parts section assembly requires a total of 25 labeled panels shown in the diagram. Please locate all of them and prepare them for use.



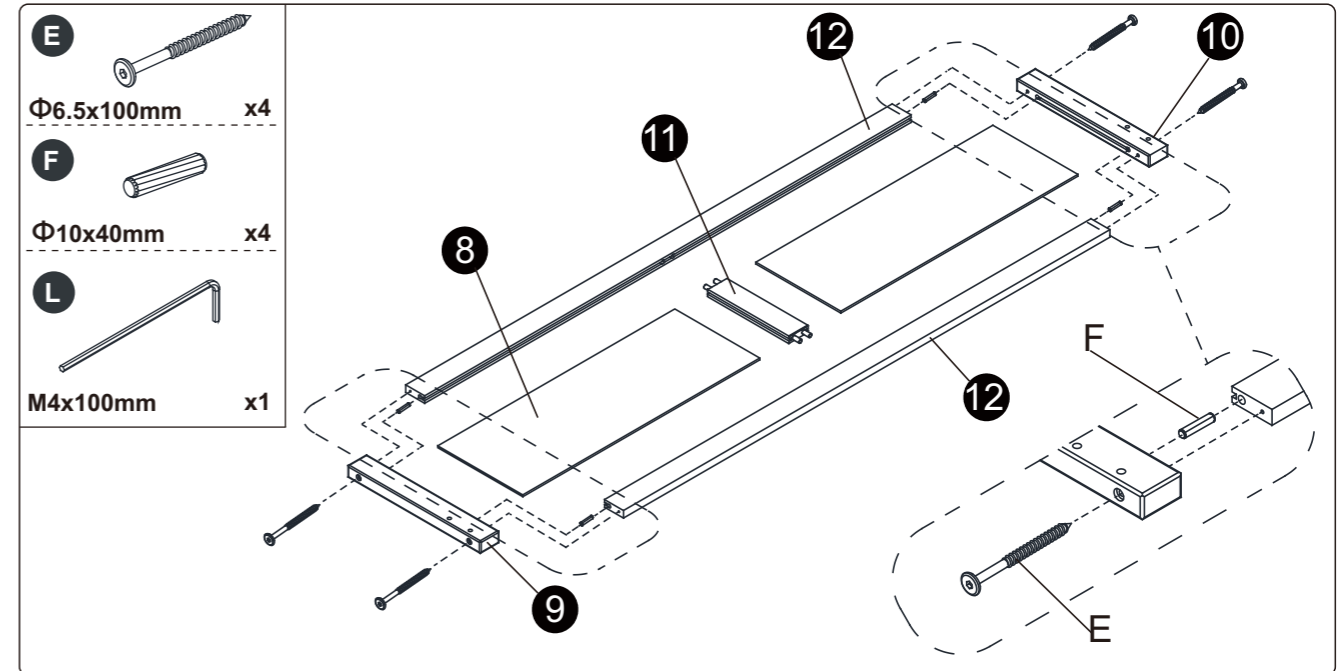
## Hardware Accessory List

<b>A</b>		Φ5/16x25mm <b>x12</b>
<b>B</b>		Φ 5/16x38mm <b>x12</b>
<b>C</b>		Φ5/16x83mm <b>x8</b>

<b>E</b>		Φ6.5x100mm <b>x4</b>
<b>F</b>		Φ10x40mm <b>x8</b>

## Step 3

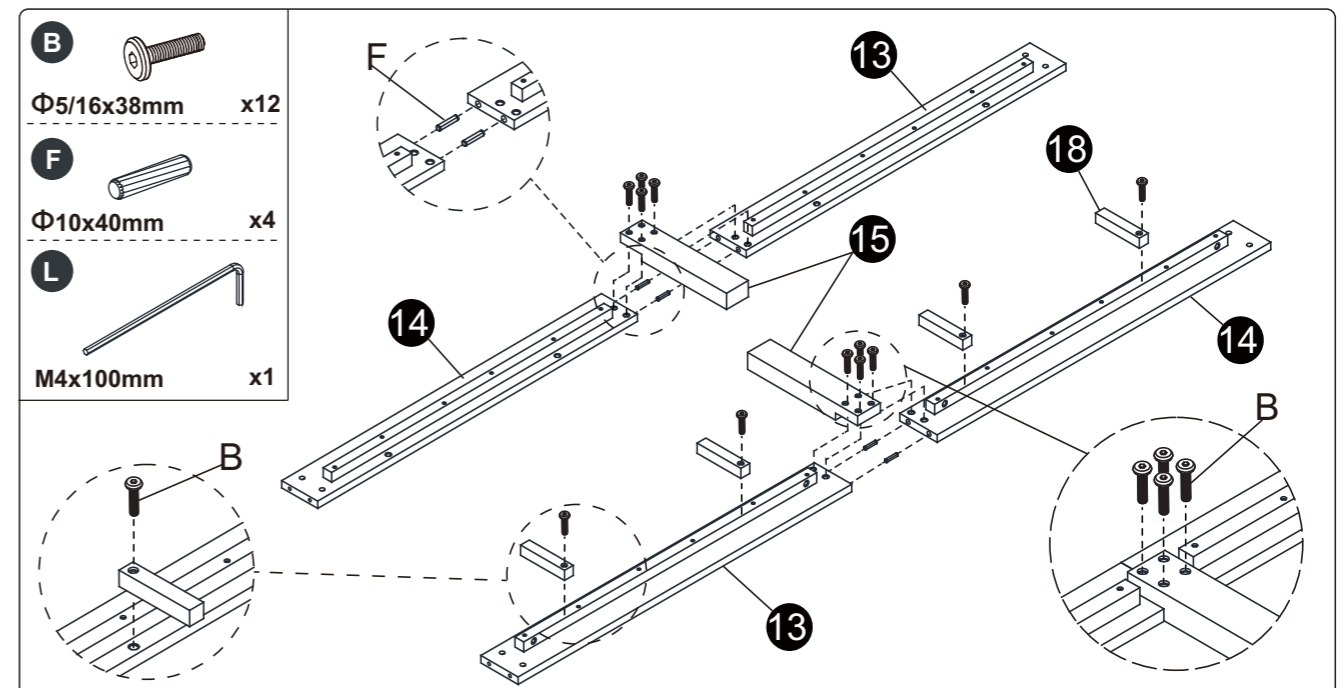
## Frame Parts Section



Attach the two Footboard Crossbar (12) into to Footboard Connector Panel (11), then slide in the 2 Footboards (8), and finally install Left Leg (9) and Right Leg (10) using Dowel (F) and Wood Screws (E) as illustration.

## Step 4

## Frame Parts Section



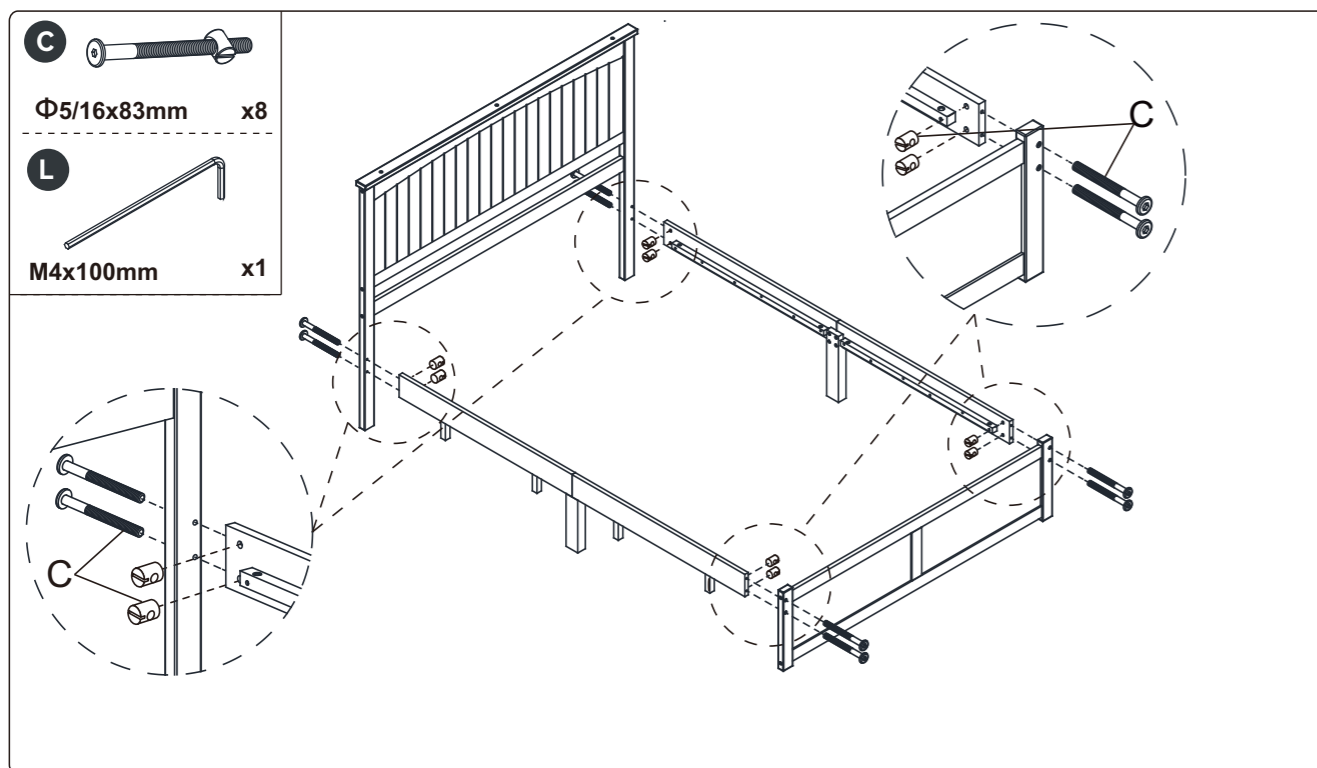
Attach the two side rails (14) to the side rails (13) using Dowels (F), then secure the Connector Legs (15) with Bolts (B). Finally, install two Drawer Stoppers (18) on (1) side of Side Rail assembly.

### Note:

Attach the drawer stoppers on the side where you plan to place the two drawers underneath the bed.

## Step 5

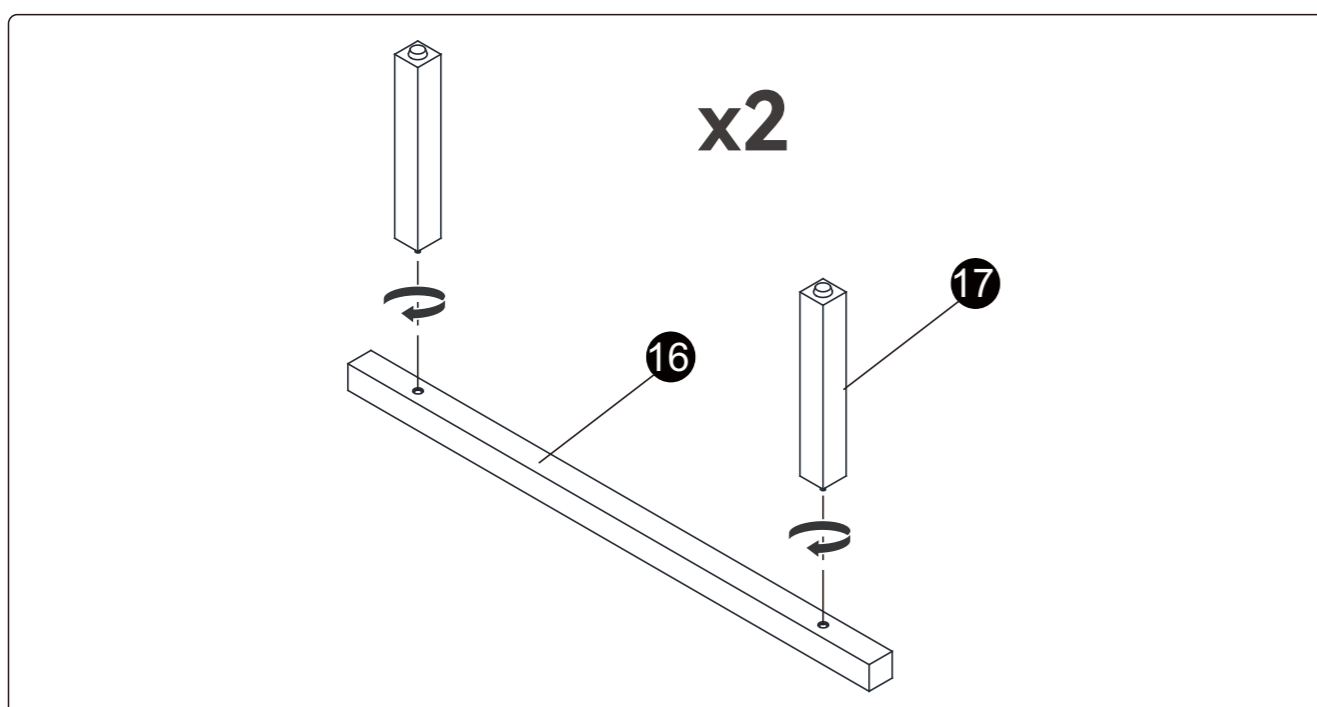
## Frame Parts Section



Insert the JCB (C) into the holes along the headboard assembly (from Step 2) and footboard assembly (from Step 3), turn right to tighten. Place each end of the side rails assembly (from Step 4) on to the barrel nut (as illustration), secure using the Allen Wrench (L).

## Step 6

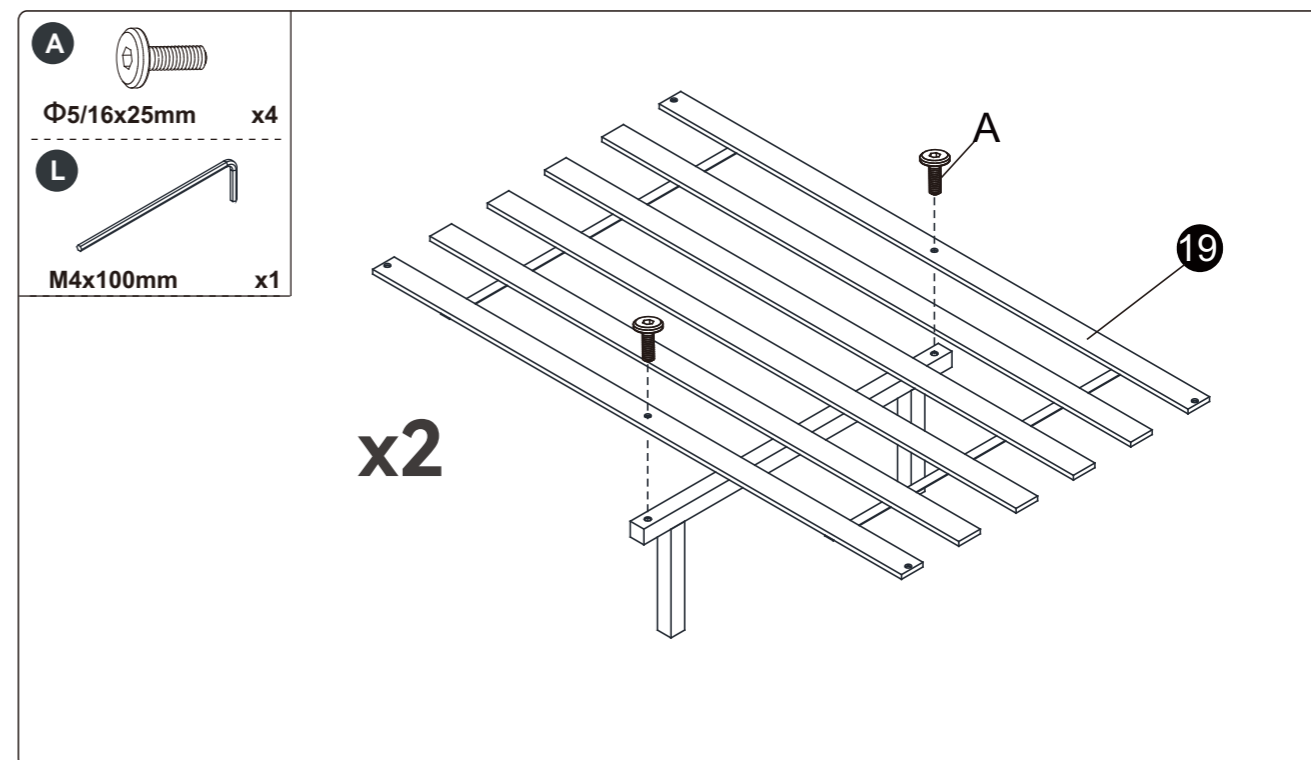
## Frame Parts Section



Twist the two Support Legs (17) clockwise into the Central Support Leg (16).

## Step 7

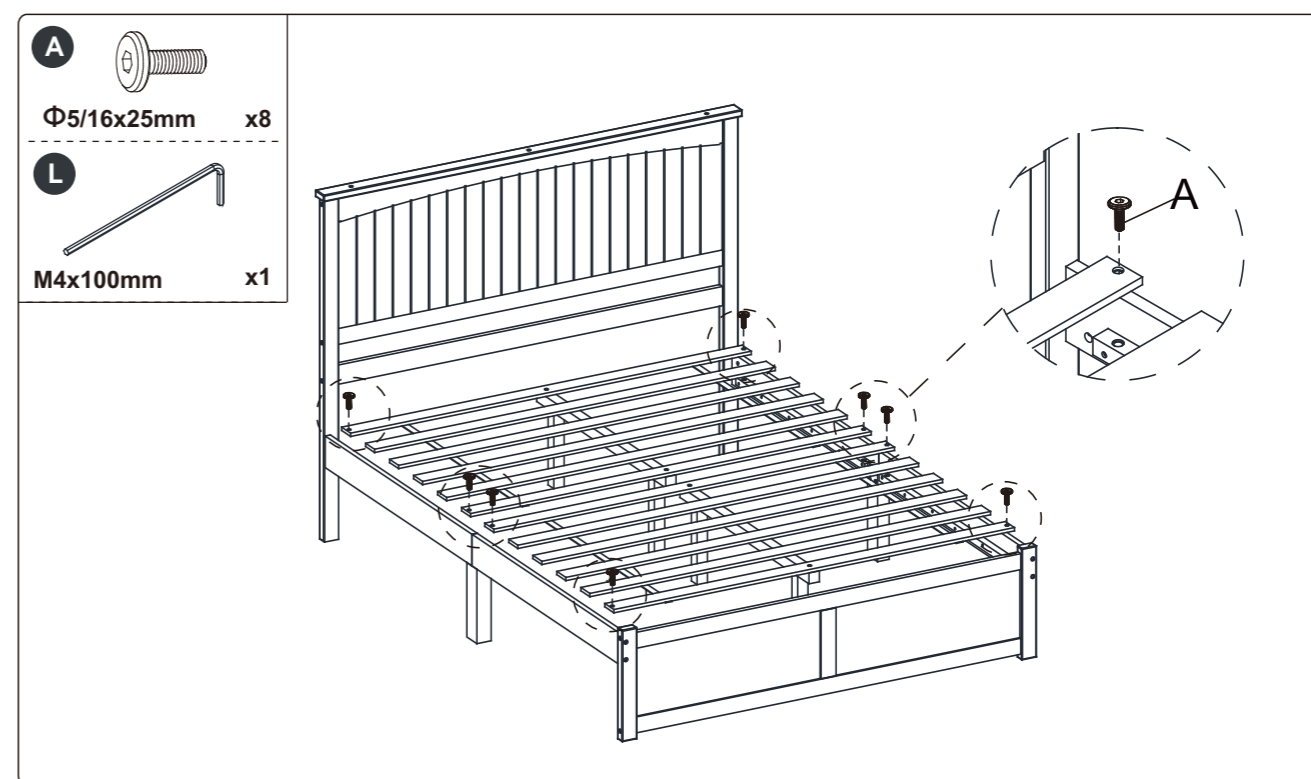
## Frame Parts Section



Align the center slat assembly (from Step 6) to the holes along the slat kit (19) using the Bolts (A) to tighten.

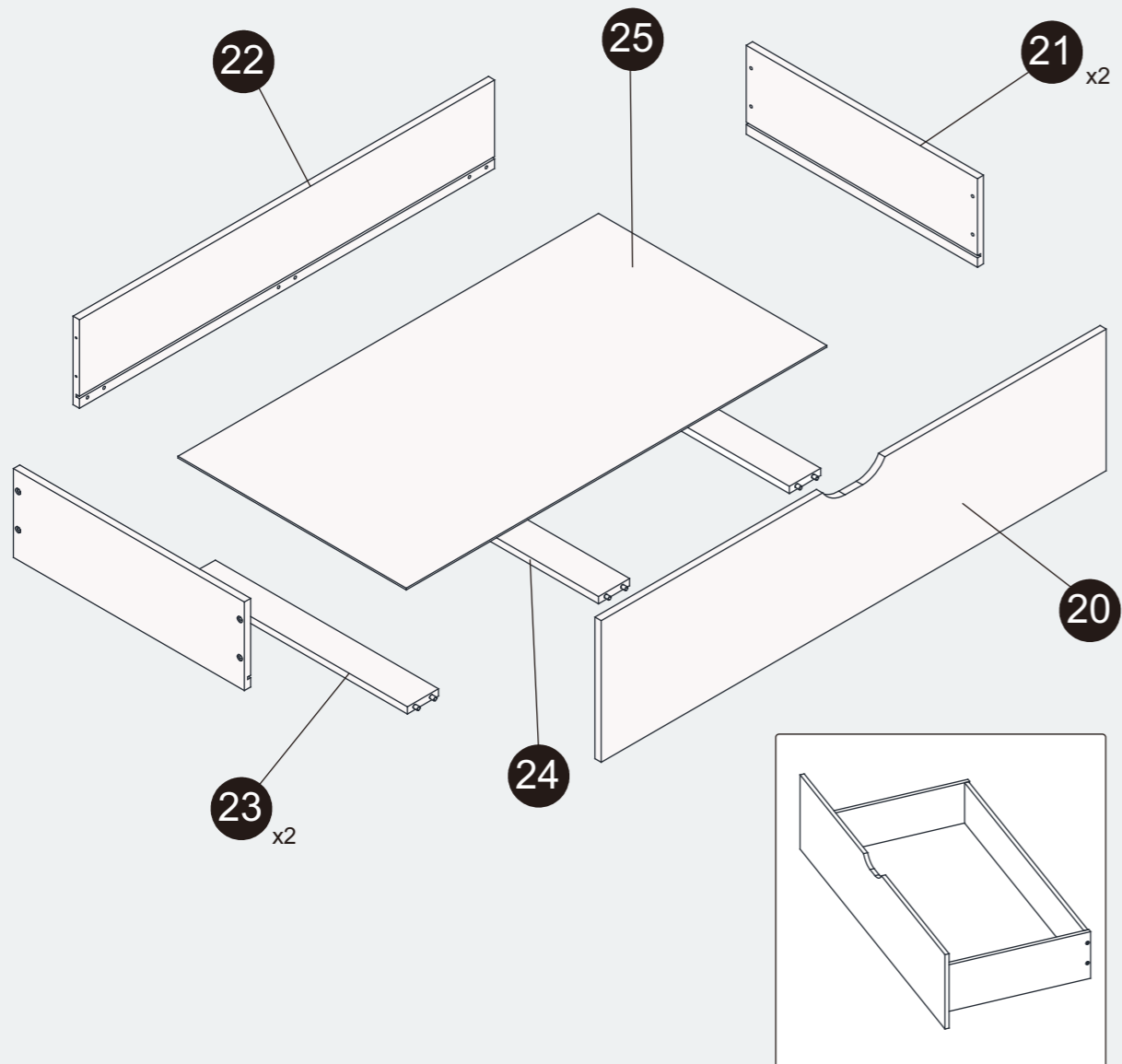
## Step 8

## Frame Parts Section



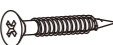


Place the slat kit onto the side rails, then insert the Bolt (A) into each end. Secure using the Allen Wrench (L).

# Drawer Section Installation



The drawer section assembly requires a total of 8 labeled panels shown in the diagram. Please locate all of them and prepare them for use.

## Hardware Accessory List

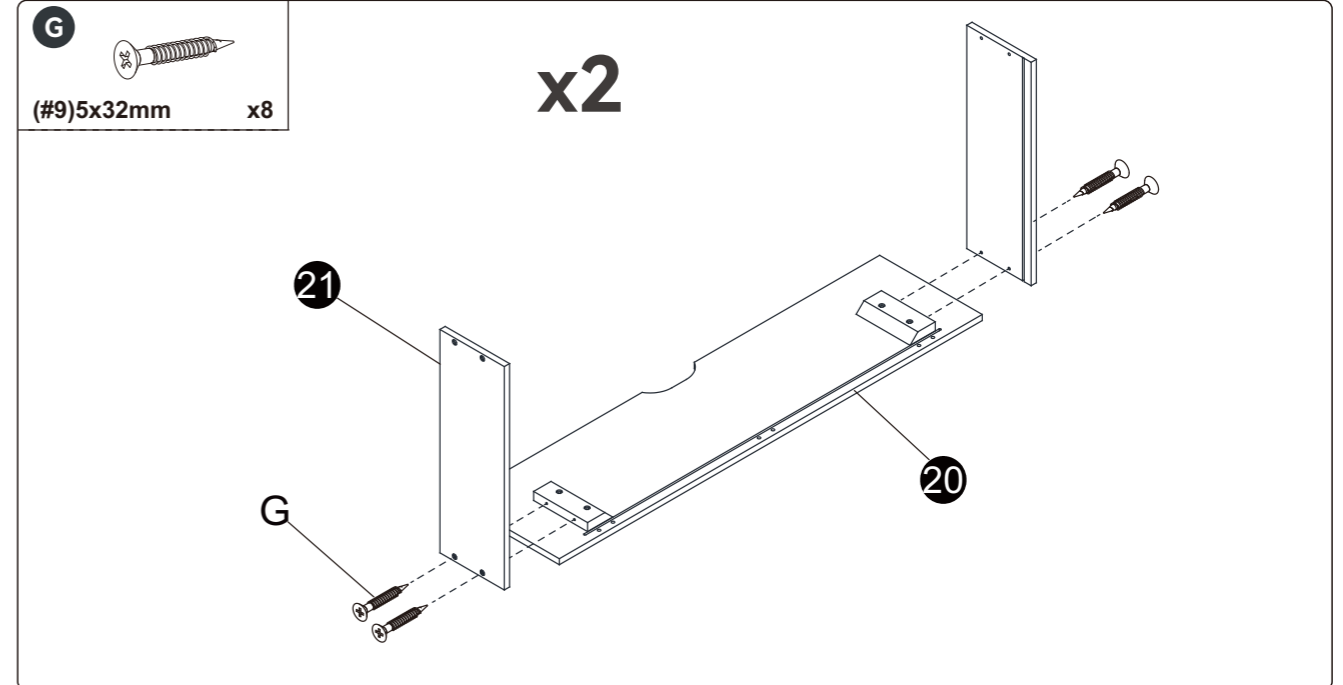
<b>G</b>		(#9)5x32mm <b>x28</b>
<b>H</b>		Φ25xH30mm <b>x8</b>
<b>I</b>		(#7)x12mm <b>x16</b>

## Note:

Before beginning assembly, please verify that all hardware components are included. If any parts are missing or damaged, contact customer service immediately for a replacement.

## Step 9

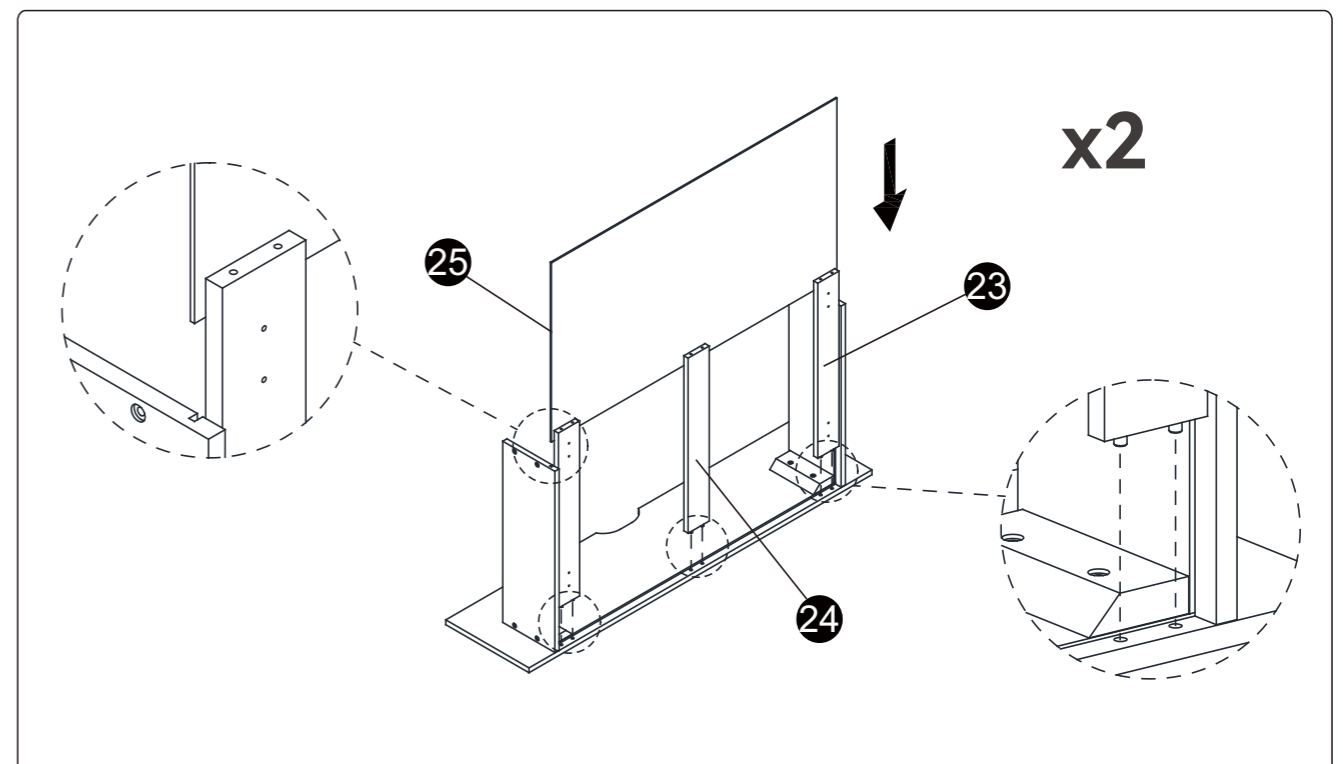
## Drawer Section



Attach two Drawer Sides (21) to the Drawer Front Panel (20) using Flat Head Screws (G).

## Step 10

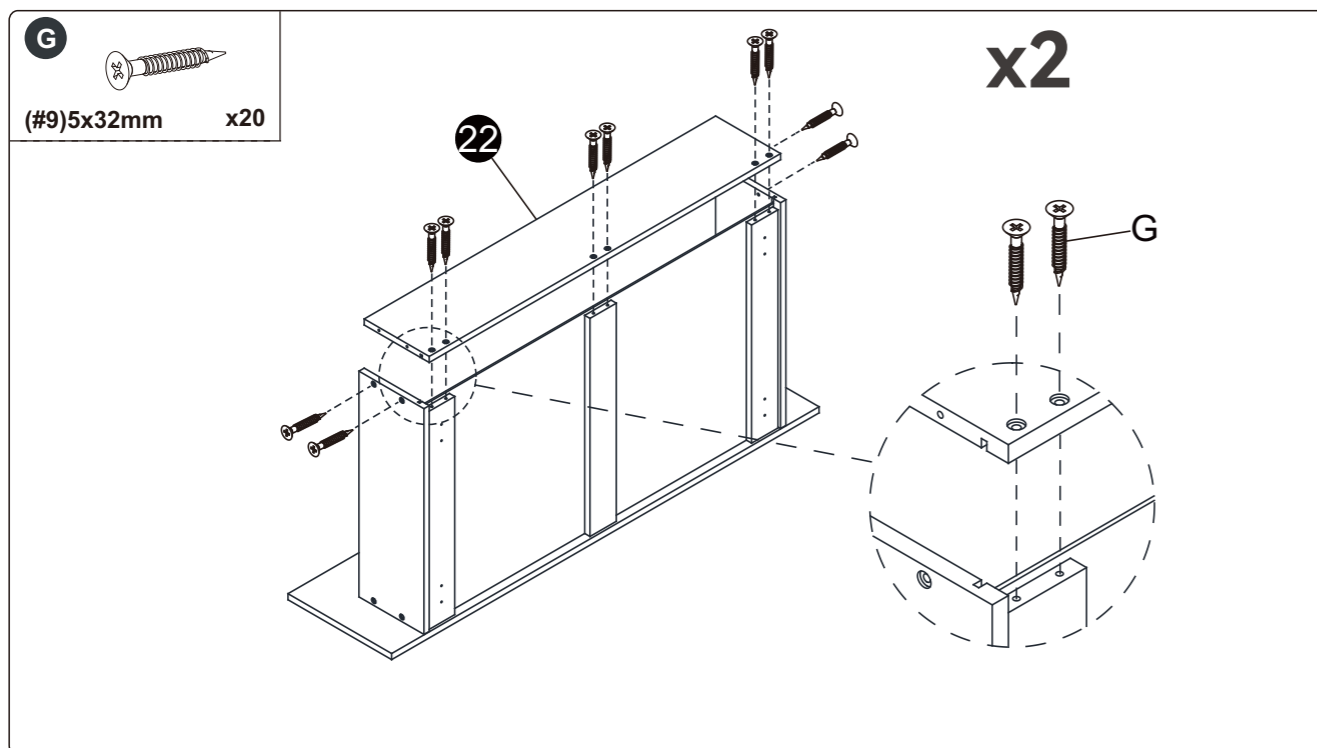
## Drawer Section



Attach two Bottom Rails (23) and Center Bottom Rail (24) into the holes on Drawer Face (20), then slide Drawer Bottom (25) into the assembled section (from Step 10) as illustration.

## Step 11

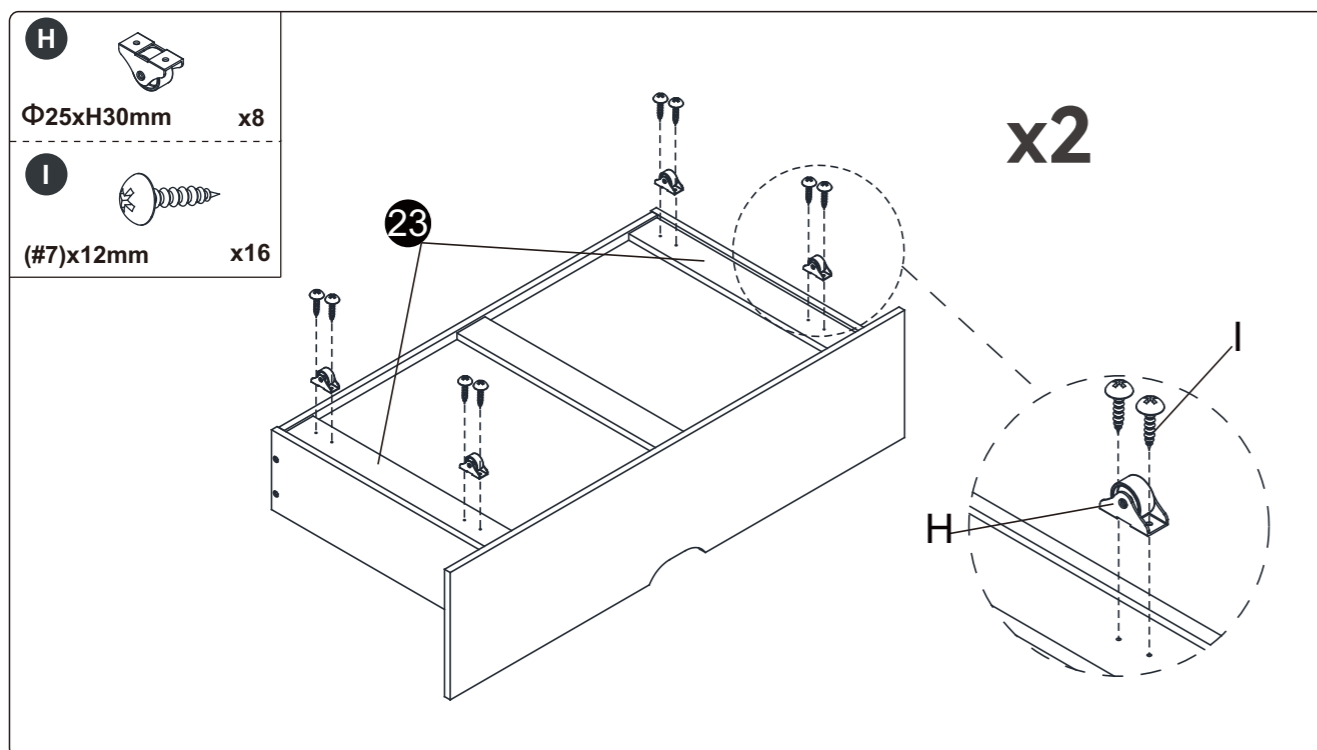
## Drawer Section



Secure the Drawer Back (22) to the assembled section (from Step 10) using Flat Head Screws (G).

## Step 12

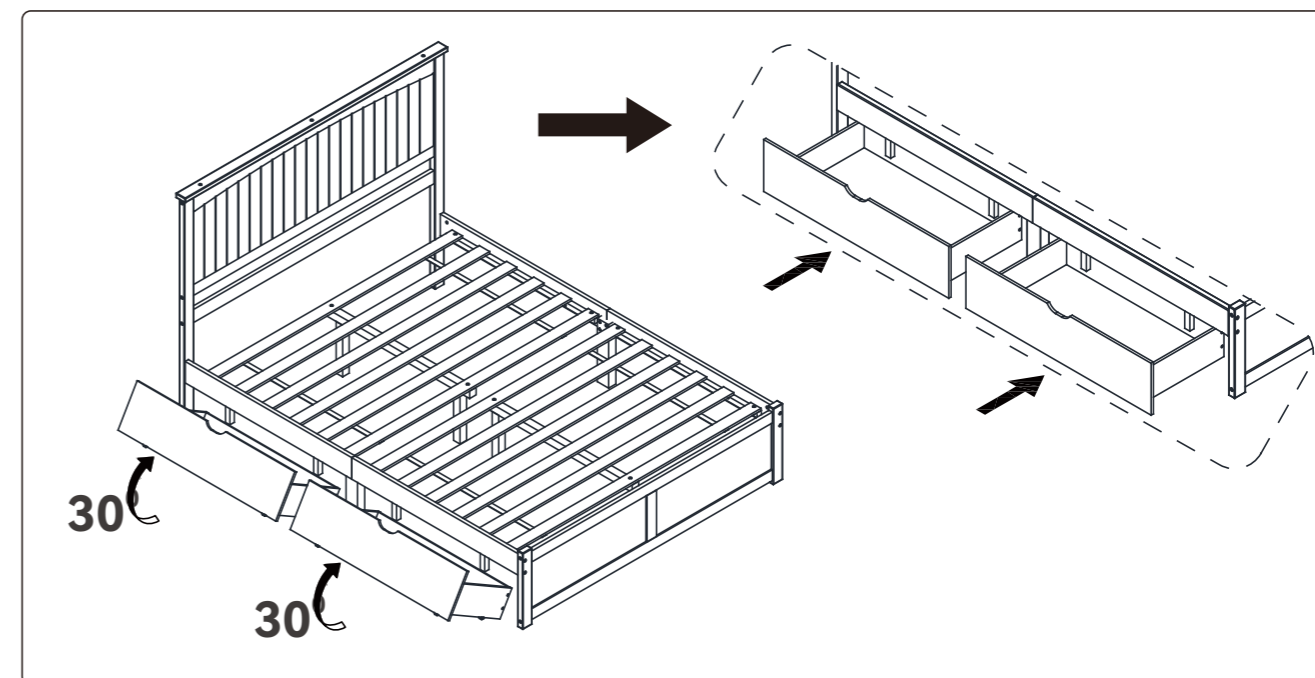
## Drawer Section



Install four Caster Wheels (H) onto the bottom rails (23) using Pan Head Screws (I), as shown in the illustration.

## Step 13

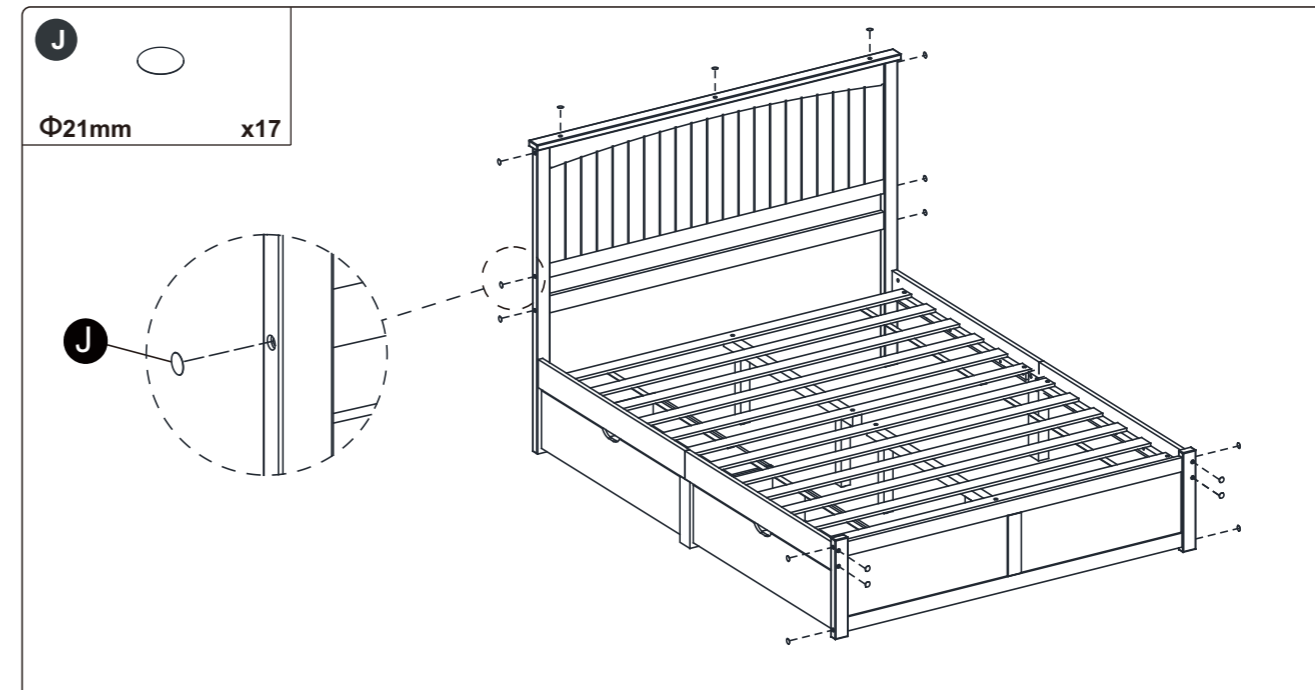
## Drawer Section



Tilt the drawer at a 30-degree angle to insert it under one side of the bed frame, then gently push it inward.

## Step 14

## Drawer Section



Cover any visible bolt holes with Stickers Cover (J).

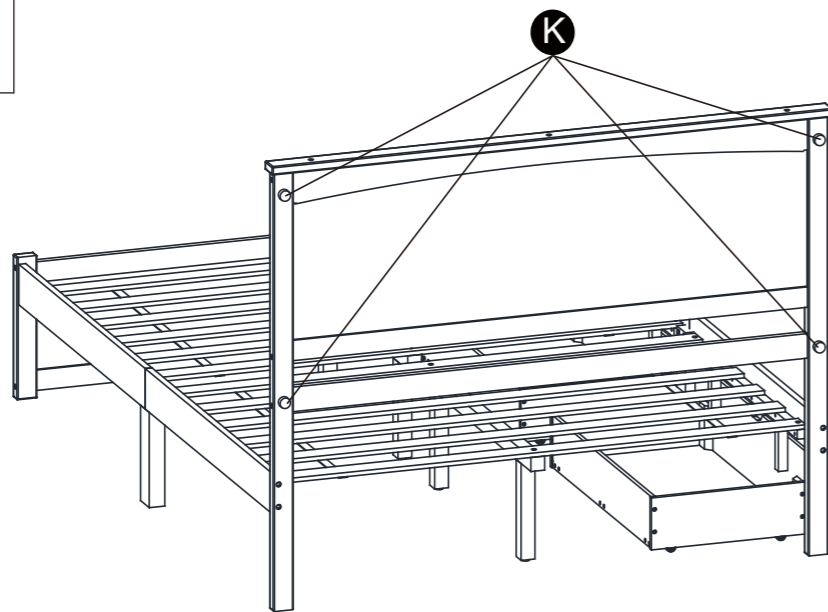
## Note:

Ensure all components are properly aligned and securely fitted. Tighten all screws & bolts securely to complete the assembly!

## Step 15

## Drawer Section

**K**   
Φ30x13mm x4



Use Bumper Wall Pads (K) and stick them to the back of the headboard as shown in the illustration.



**ASSEMBLY IS COMPLETED !**