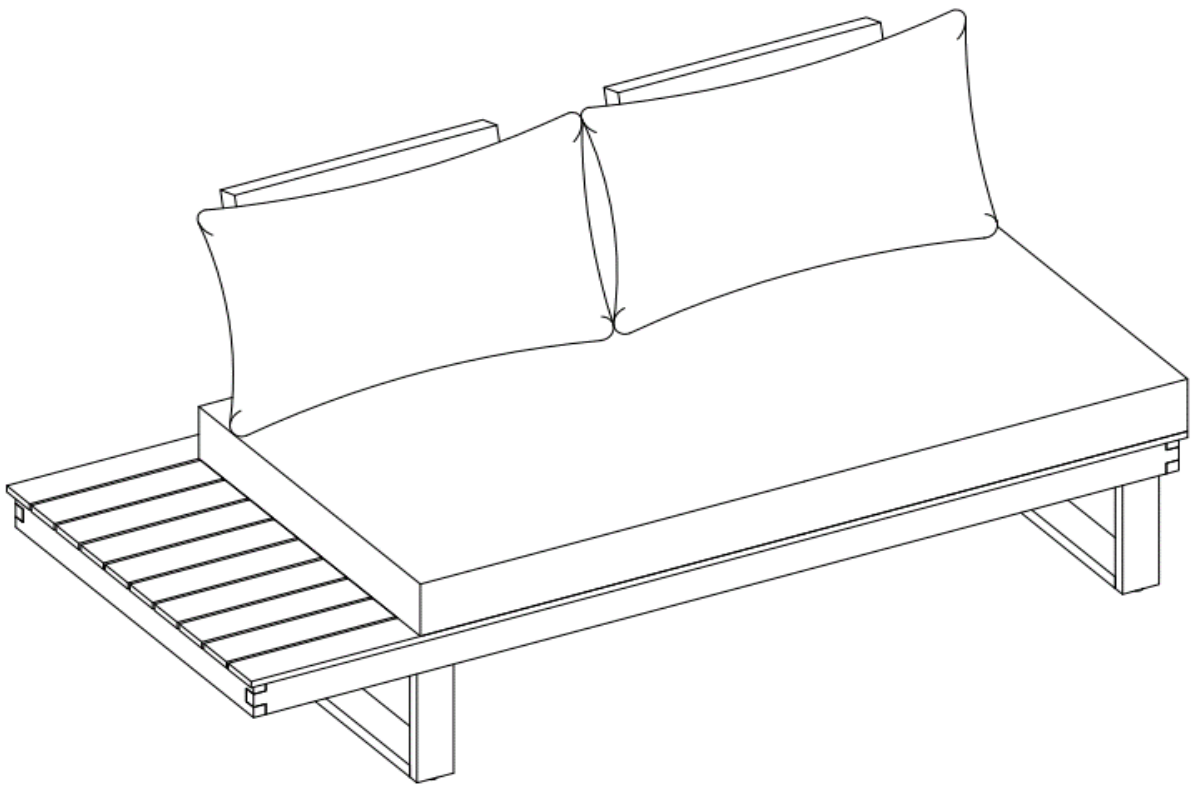


Assembly Instructions

LEFT LOVE SEAT

CAUTION: You must read this before you proceed.

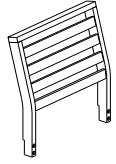
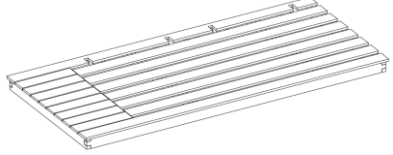
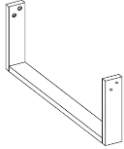
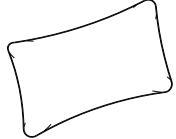
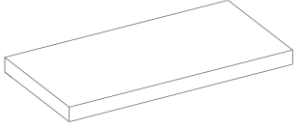
Please look underneath the seat panel for hardware packs.






CAUTION : This Left love seat is NOT a TOY.

Keep your child / children at bay in the process of assembly.

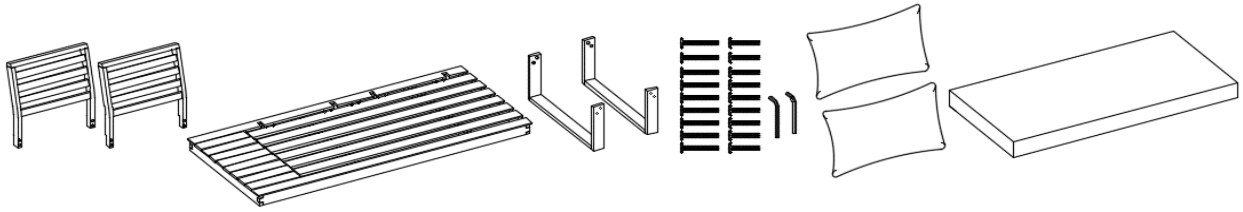
For turning the Left love seat and to prevent any possible damage to the Left love seat, 02 people may be needed to execute this action.

Parts List			
No.	Picture	Description	Qty
A		Backrest Panel	2
B		Seat Panel	1
C		Leg	2
D		Back Cushion	2
E		Seat Cushion	1

Hardware			
Label	Picture	Description	QTY
①		Bolt (M6 x 50mm)	9
②		Bolt (M6 x 40mm)	9
③		Allen Wrench 4 (30 x 80mm)	2

Assembly Preparation

Before Beginning Assembly:



Read instructions, cover to cover.



Have 2 adults on hand for assembly.



Do not assemble on flooring or carpet.

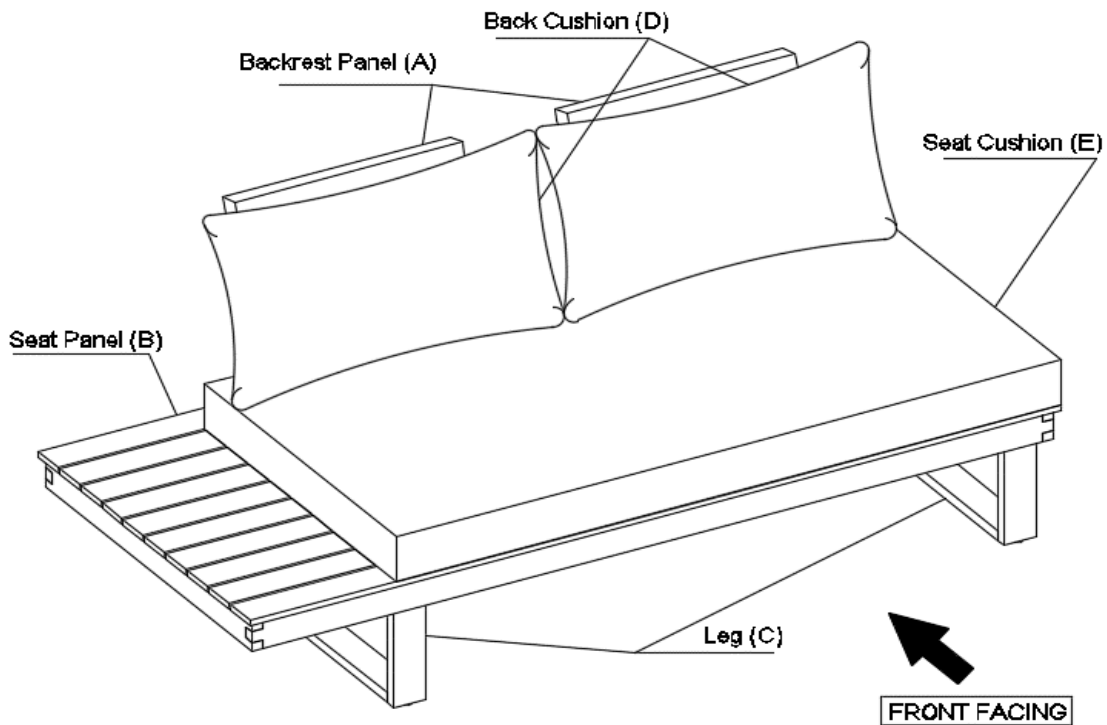


Assemble on a clean non-marring surface (packing foam).



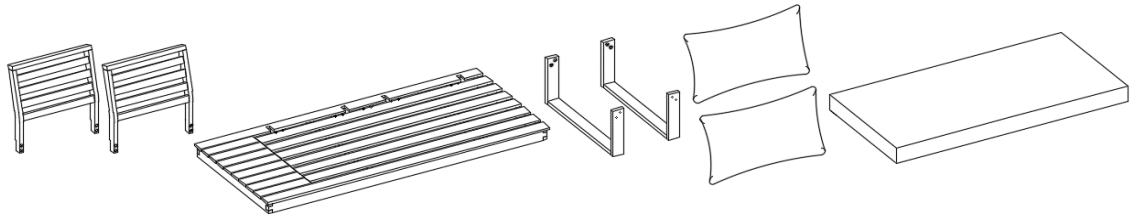
Save all packaging until finished.

Assembly Steps



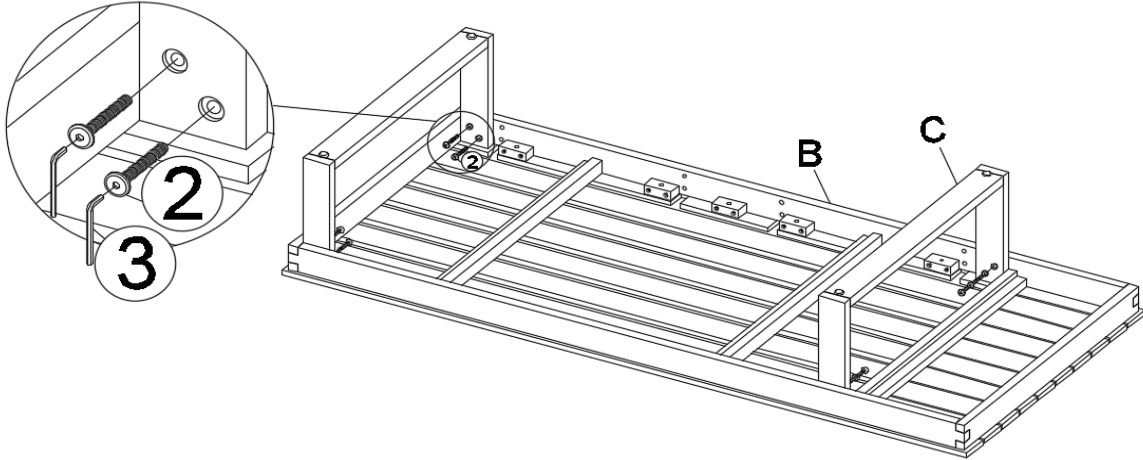
This Left Love Seat has multiple parts and may require up to 30 minutes to assemble. To give you an overview of the Left Love Seat parts, the above picture is to help you put the various parts into perspective. Please read through the instructions here below to familiarise yourself with the parts and steps before assembly.

Step 1



Unpack and place all parts on a clean, non-marring surface.

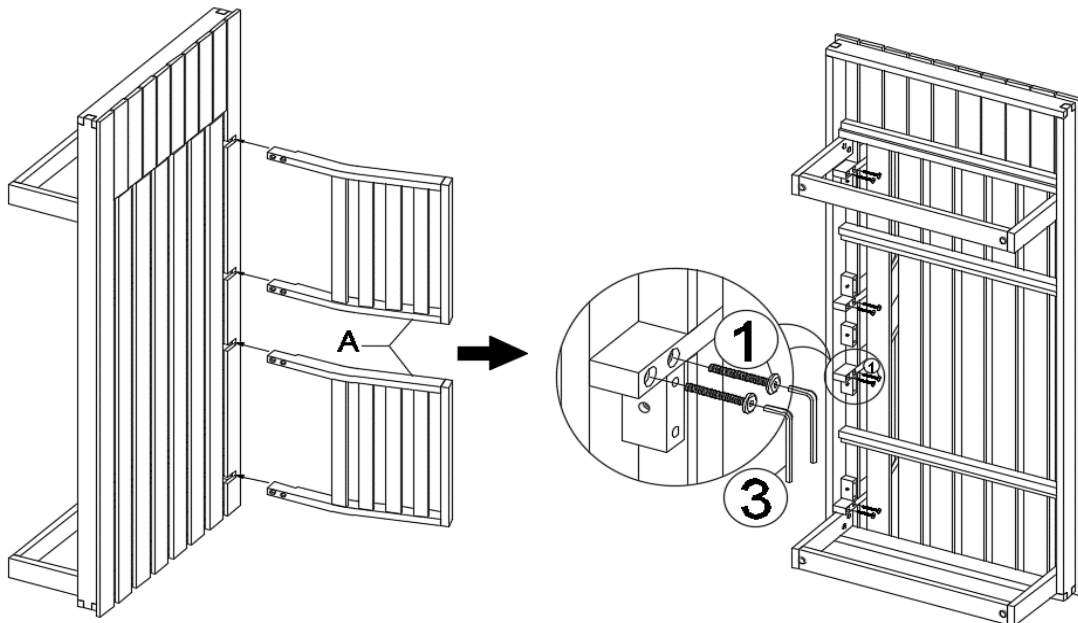
Step 2



Place the Seat Panel (B) facedown onto a clean, non-marring surface as shown above. Attach the first Leg (C) to the Seat Panel (B) using Bolts (2) and the Allen Wrench (3). Repeat the same process with the remaining Leg (C).

Do not fully tighten the Bolts

Step 3

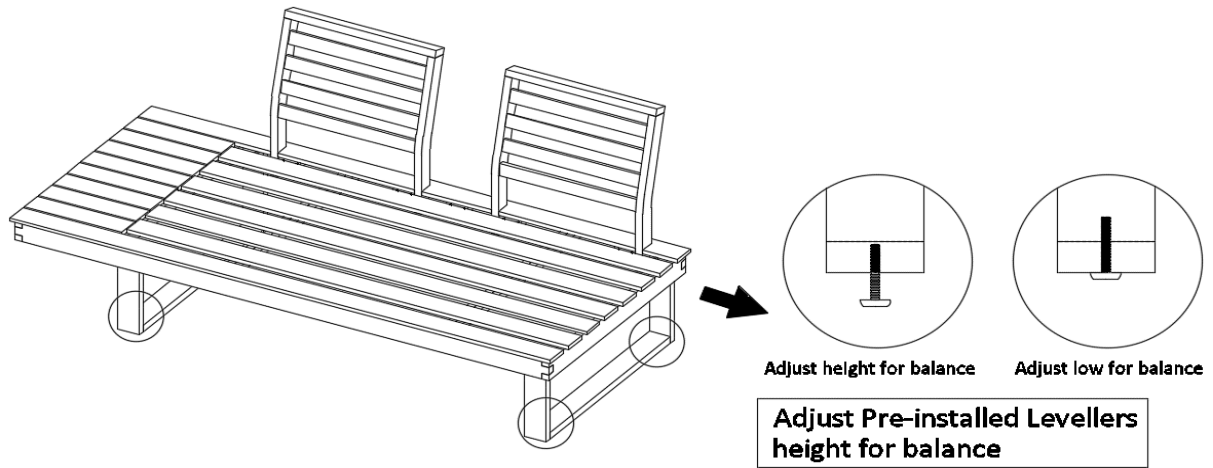


With the help of your adult partner, stand the assemble in step 2 up, then attach the first Backrest Panel (A) to the assemble using Bolts (1) and the Allen Wrench (3).

Repeat the same process with the remaining Backrest Panel (A)

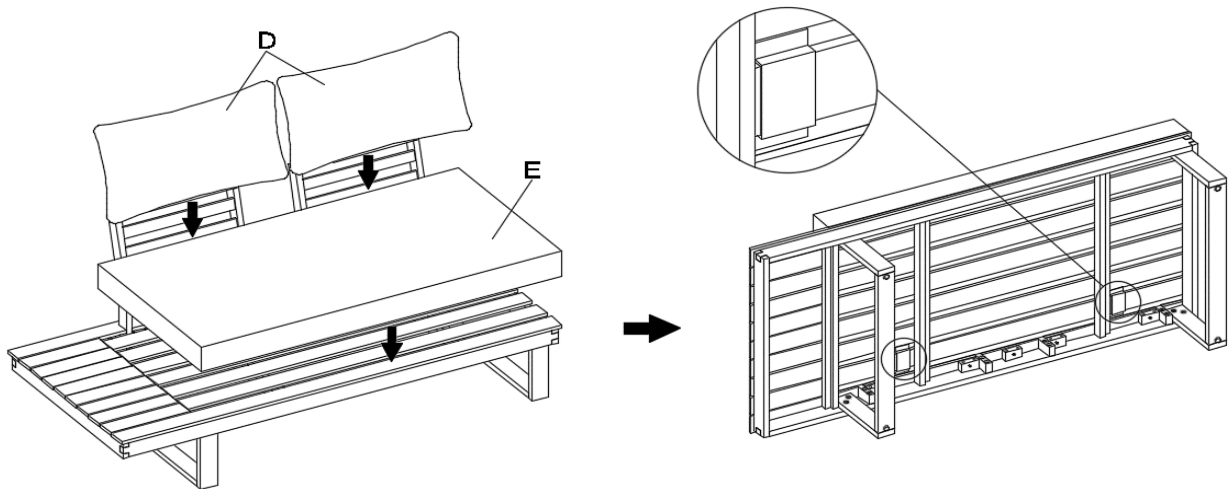
Do not fully tighten the Bolts

Step 4



Place the Love Seat onto a flat, level surface.
Then EXERT pressure, floorwards onto the Love Seat with both hands.
This pressure will help the Love Seat reach full alignment at all joints.
In a sequential manner, gradually tighten all Bolts at all joints until evenly secured.
Inspect the Love Seat and make sure all parts are adequately connected.
Adjust the Levellers until the Love Seat is level with the ground.
To adjust the Levellers, get assistance from an adult partner to lift/lean and hold the Love Seat while you are working.

Step 5

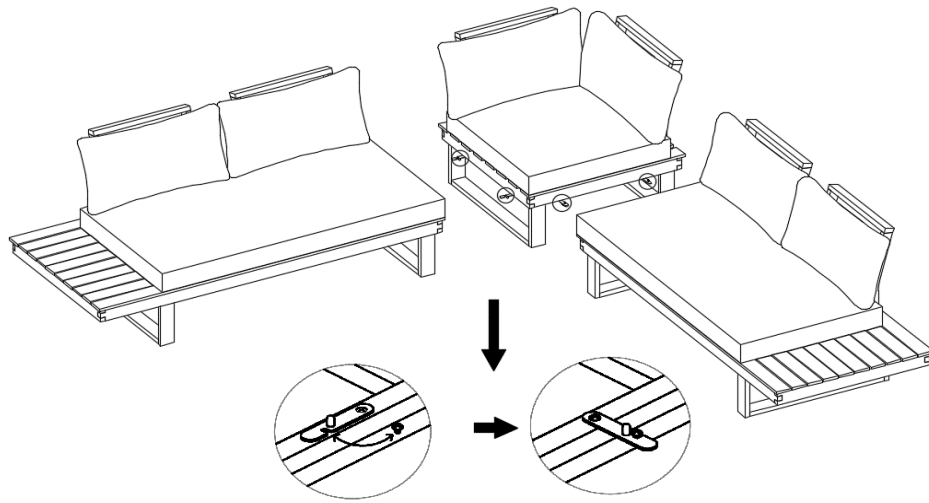


Place the Seat Cushion (E) and the Back Cushions (D) onto the Seat Panel (B).
With the help of your adult partner, turn the Love Seat right side up.
Tie the velcro straps on the Seat Cushion (E) to the Seat Panel (B) as show above
Inspect it and make sure all parts are adequately connected.
Ensure all screws and bolts are fully locked into position and secured.

The Love Seat is ready to be used.

Caution: This Love Seat can only be used on a flat, level surface










Step 6



Note: This is an optional step in case you want to connect the love seats and corner chair of the set together and should be done before placing the cushions.

With assistance from your adult partners, turn the love seats and corner chair up side down and use the pre-fixed clips to connect the love seats and corner chair together.

Care & Maintenance

-  ● Do not put hot items directly on furniture surface
-  ● Do not clean furniture with harsh cleansers or polish.
-  ● To obtain the longest lifespan of your outdoor products, minimizing exposure to direct sunlight is recommended.
-  ● Children should not climb or jump on the furniture.
-  ● Do not write on furniture without a padded barrier to protect the surface.
-  ● To obtain the longest lifespan of your outdoor products, avoid extended and lengthy exposure to rain, snow, and direct sunshine. Whenever possible cover the product and /or place under patio or awnings.
-  ● Not for commercial use. For residential use only .
-  ● Stains may be removed with mild soap solution and damp cloth.
-  ● Dust and pick-up spills using a clean, non-colored, lint-free cloth.