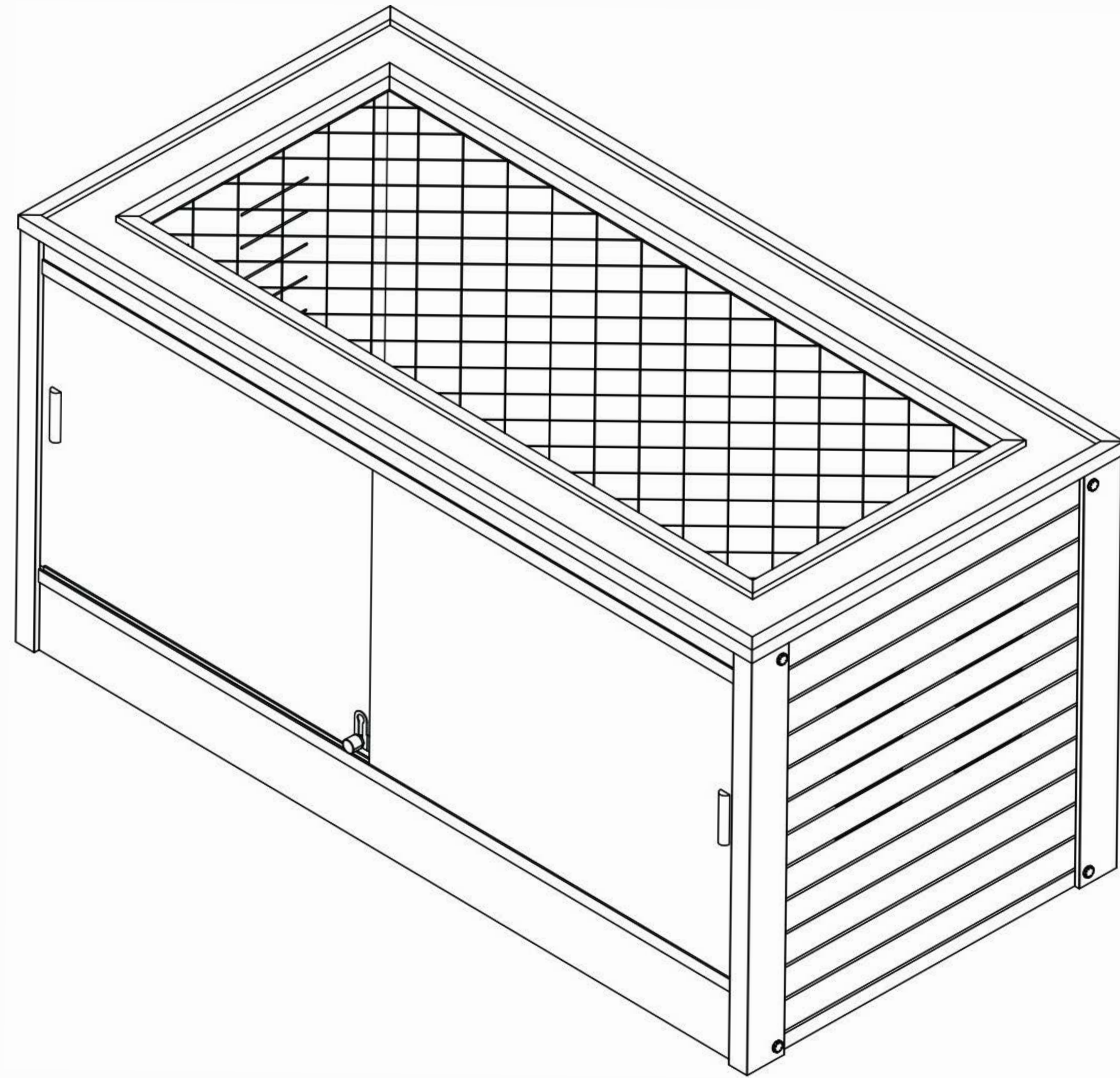
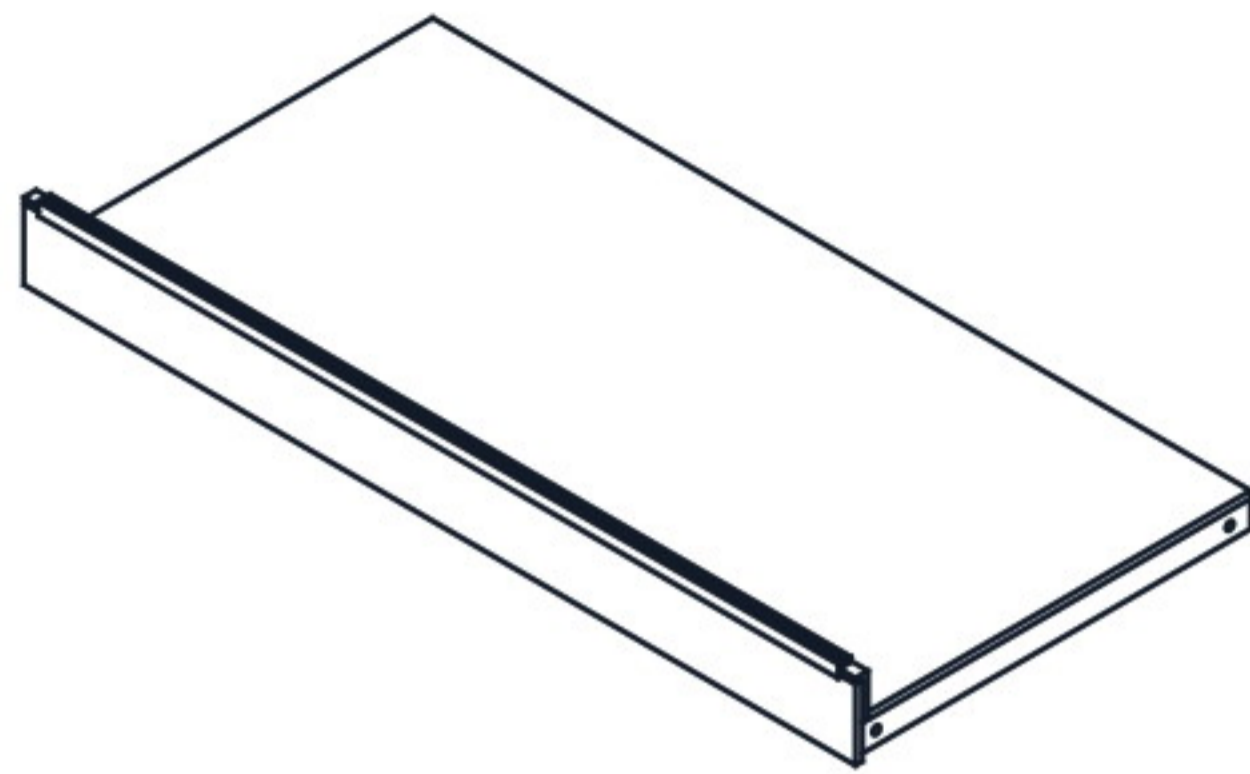


# 48" Mojave Reptile Lounge

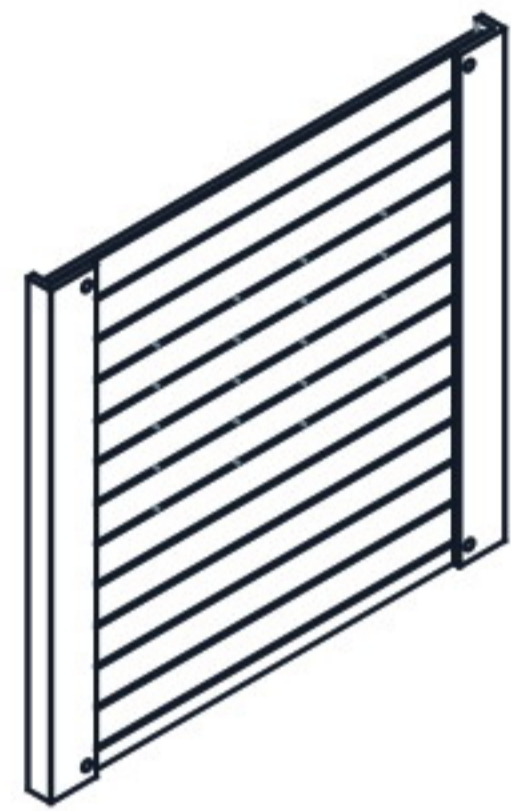


# 48" Mojave Reptile Lounge

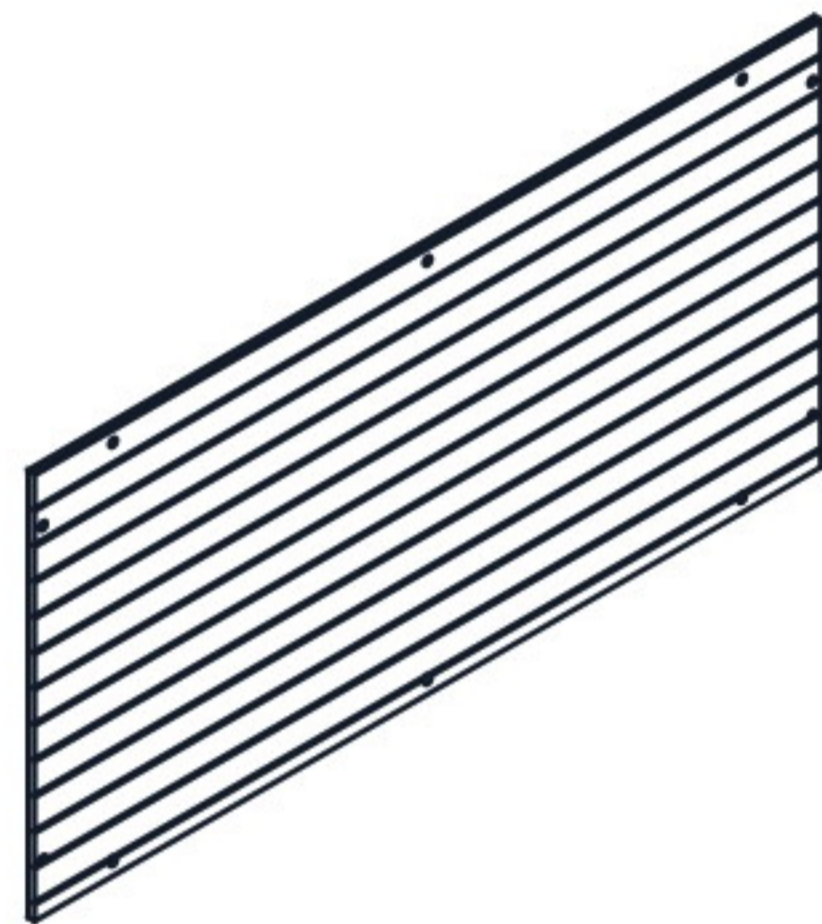
## Parts List



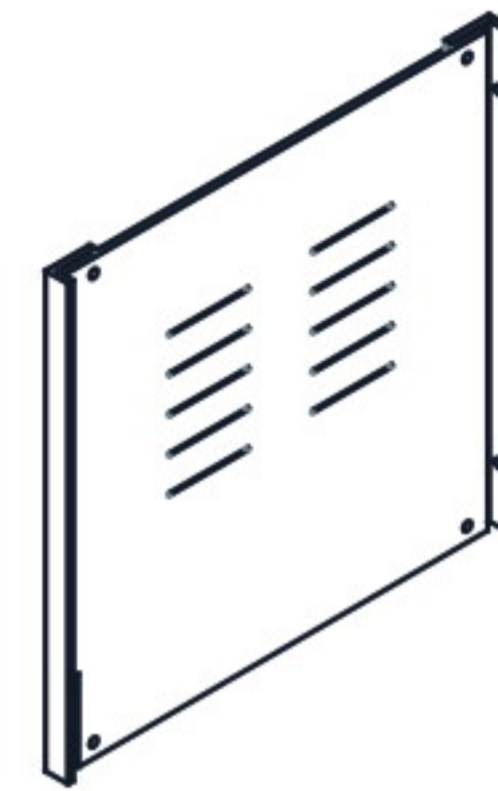
Part 1 X 1



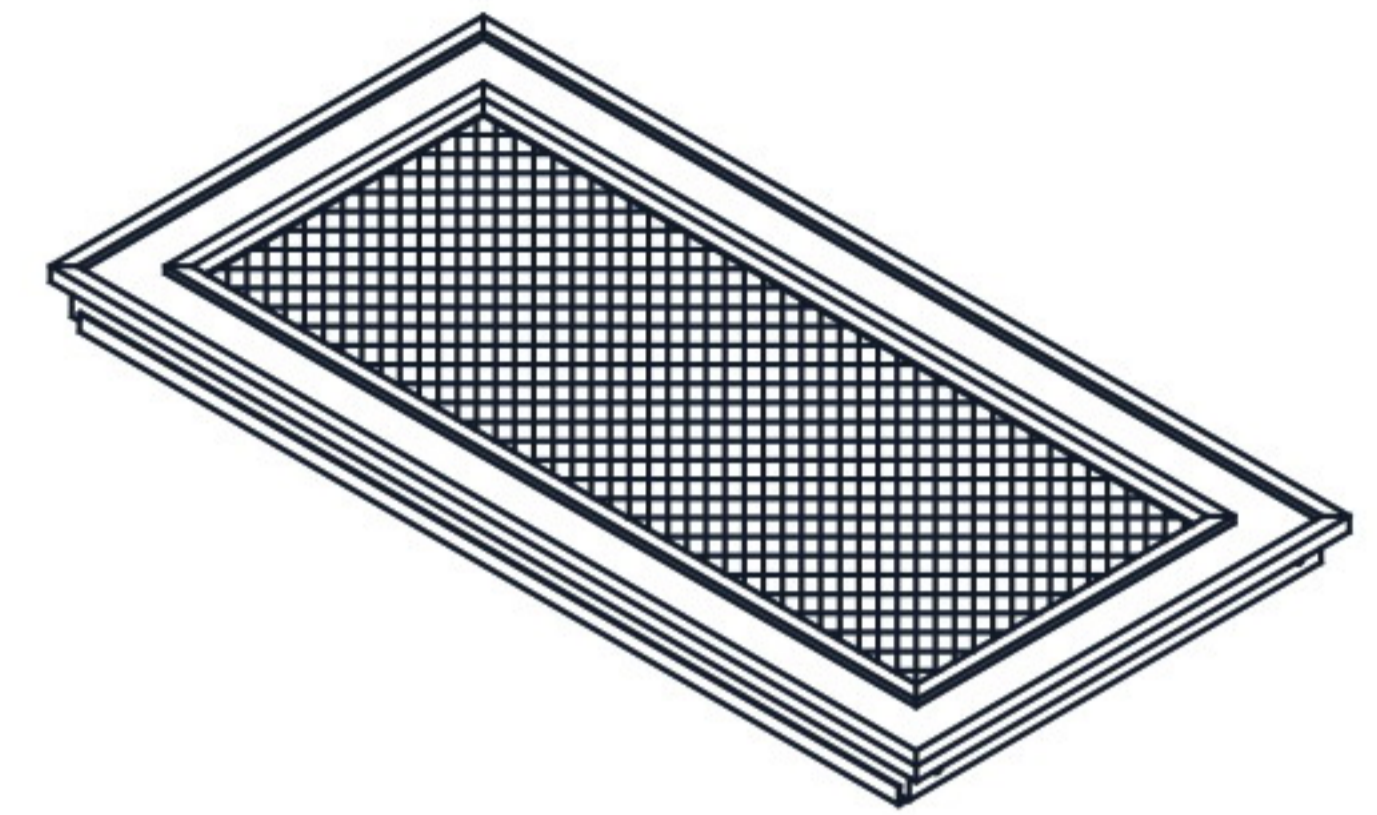
Part 2 X 1



Part 3 X 1



Part 4 X 1



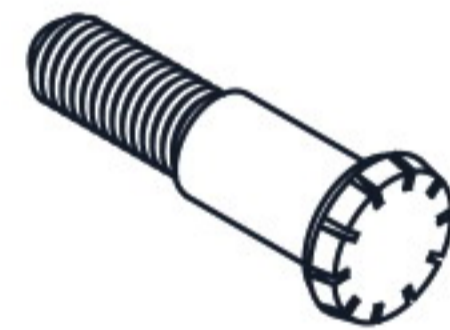
Part 5 X 1



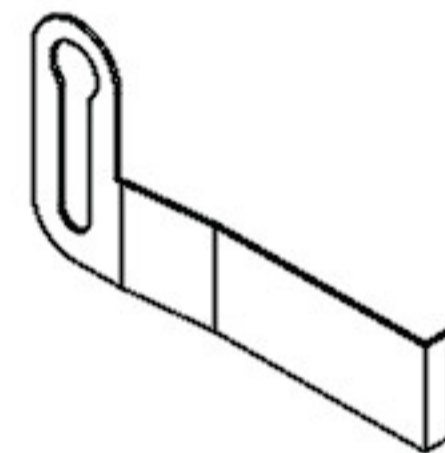
Ⓐ X 2



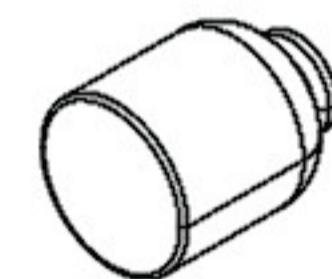
Ⓑ X 4  
7/8" (2.2cm)



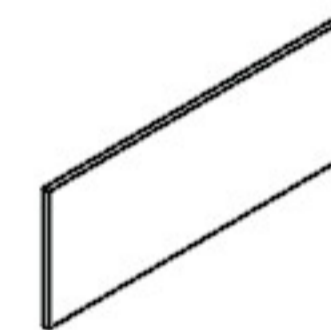
Ⓒ X 14  
1 5/8" (4.2cm)



Ⓓ X 1



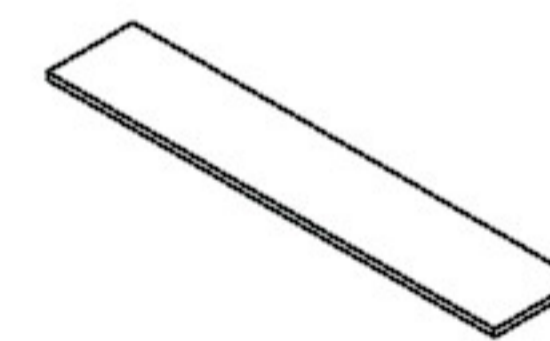
Ⓔ X 1



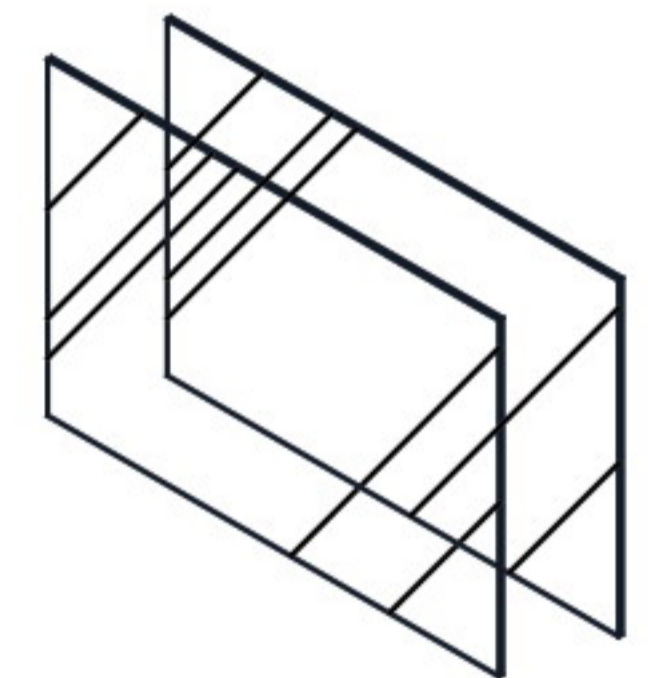
Ⓕ X 1  
1 3/4" (4.5cm)



Ⓖ X 2



Ⓗ X 2  
2 3/4" (6.8cm)



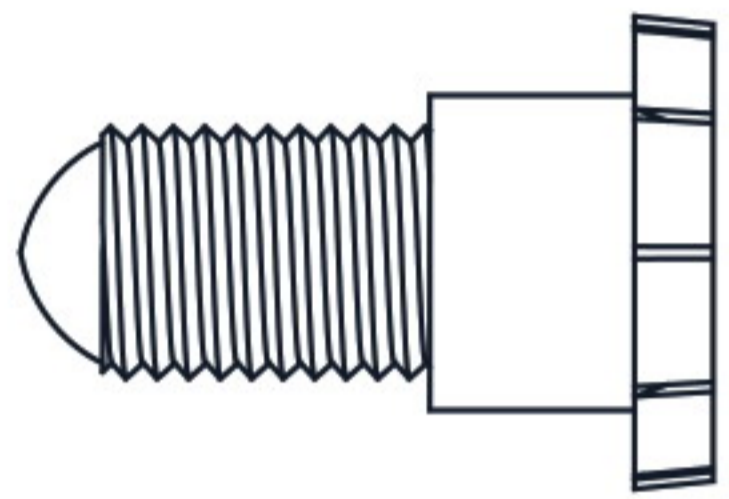
Ⓘ X 2



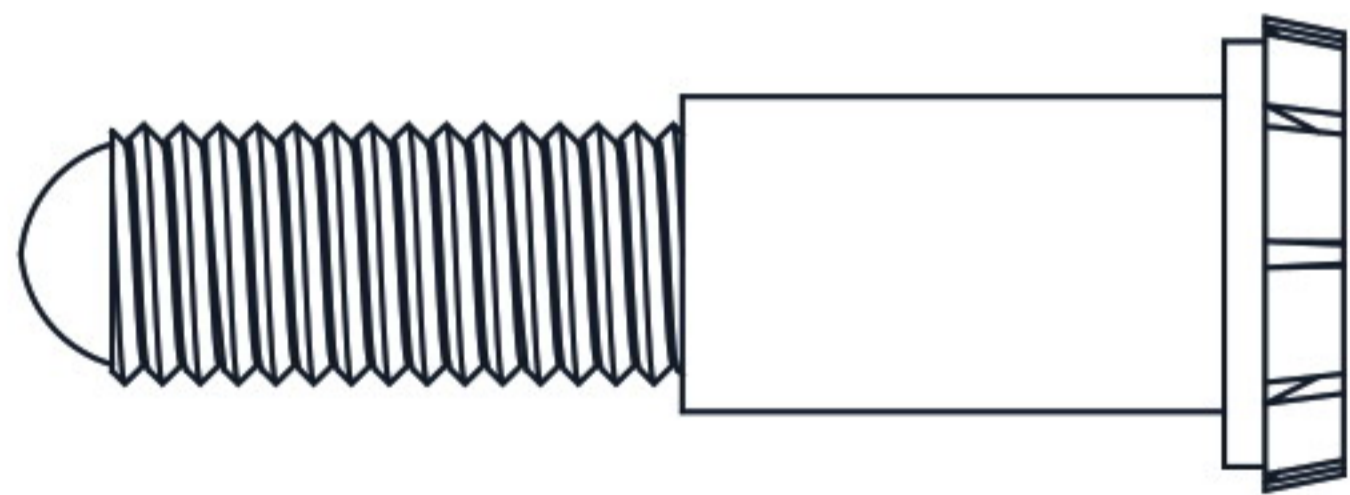
## CAUTION! FIRE RISK

DO NOT place heat lamps directly on the ECOFLEX material.  
Follow ALL safety instructions included with all lighting & heating accessories.

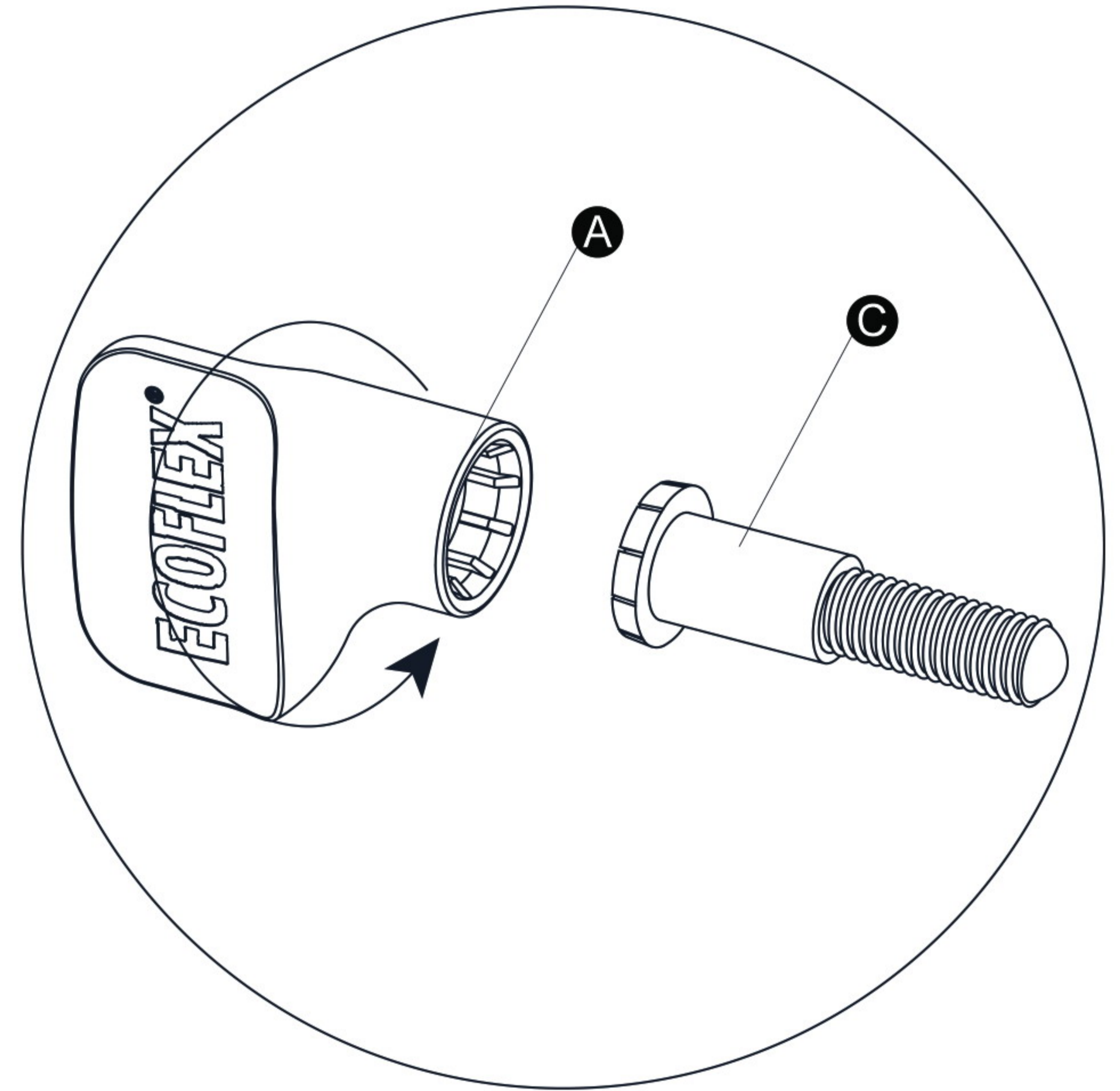
# 48" Mojave Reptile Lounge



Ⓑ 7/8" (2.2cm)

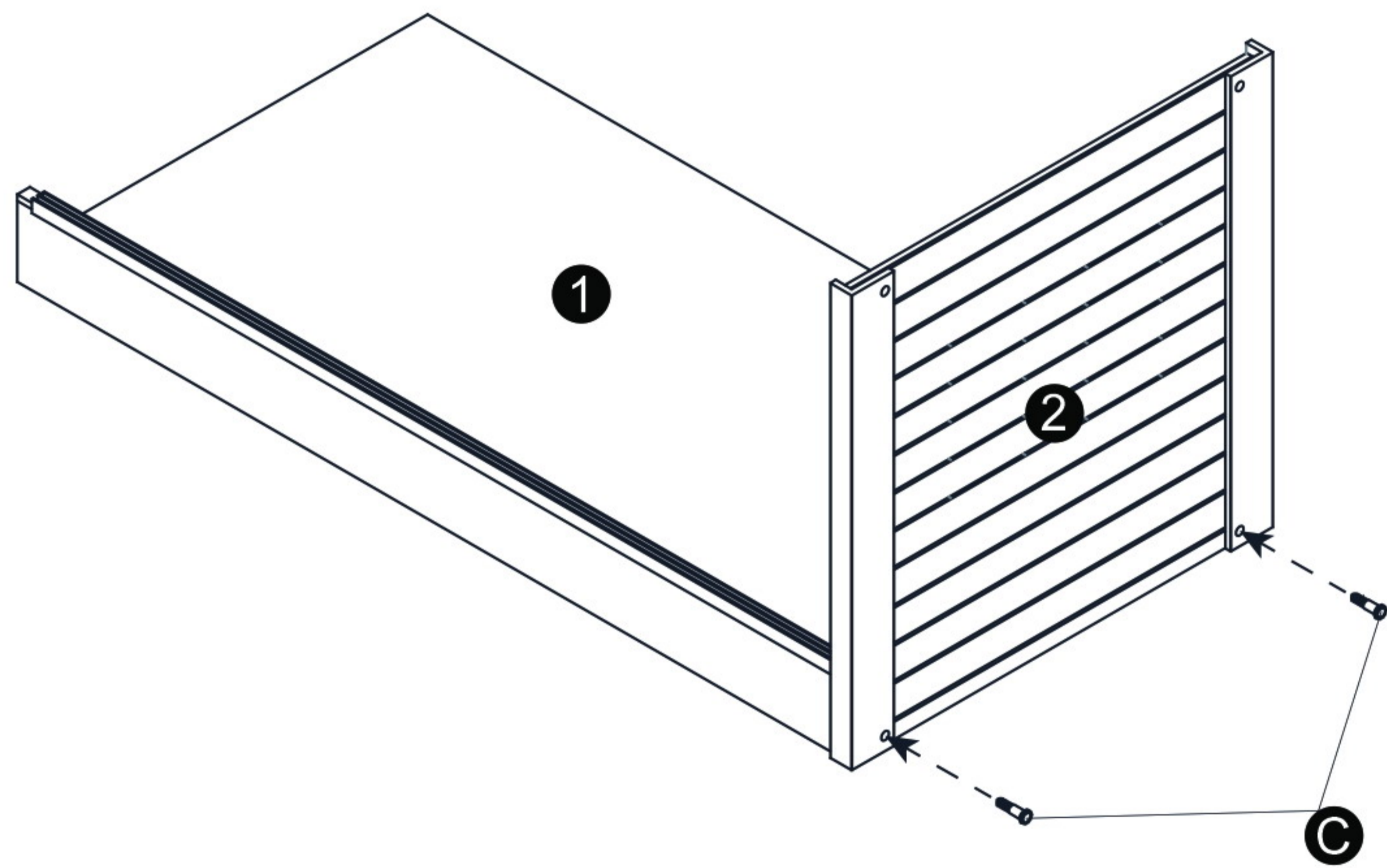


Ⓒ 1 5/8" (4.2cm)



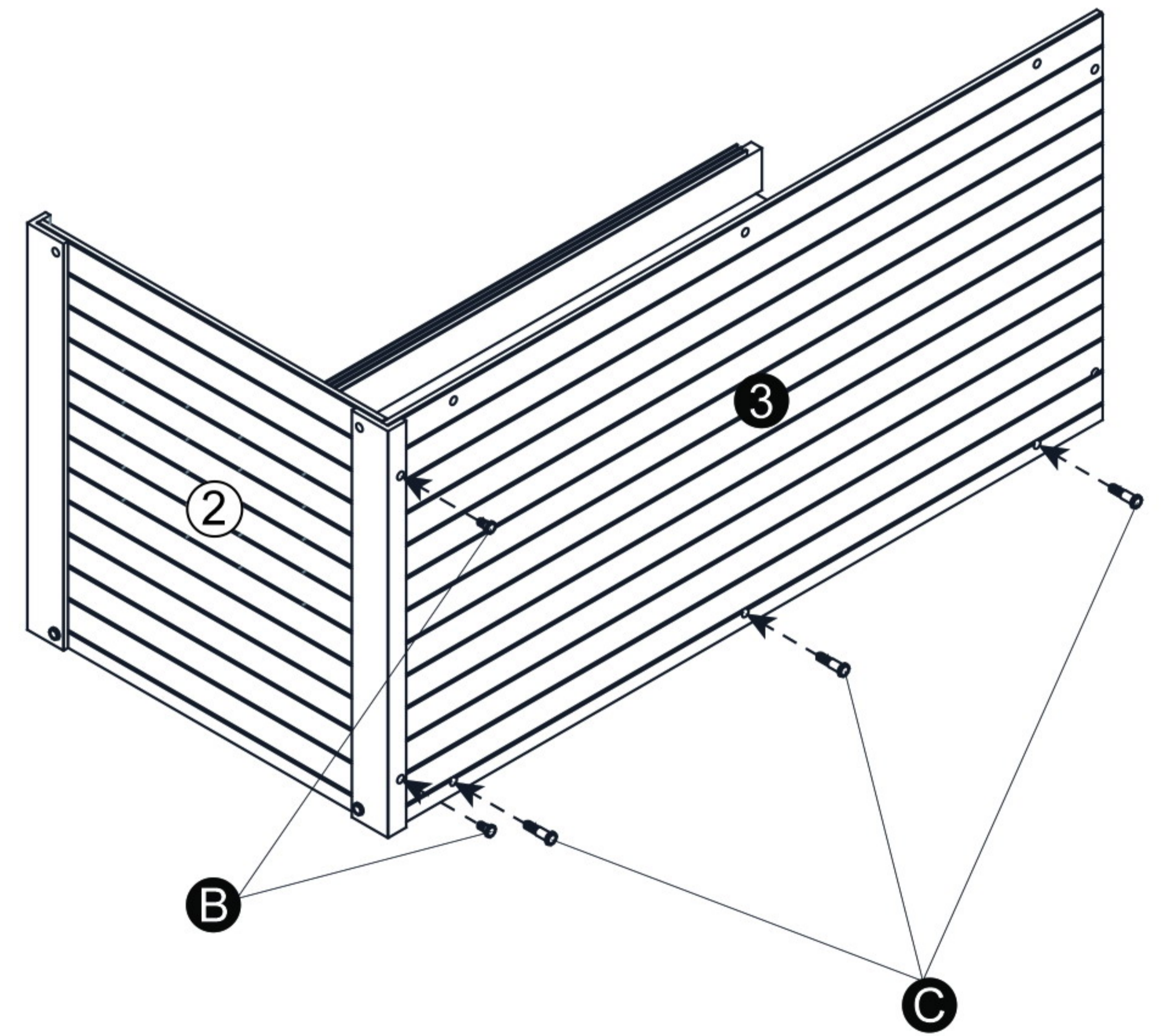
## Step 1 .

---

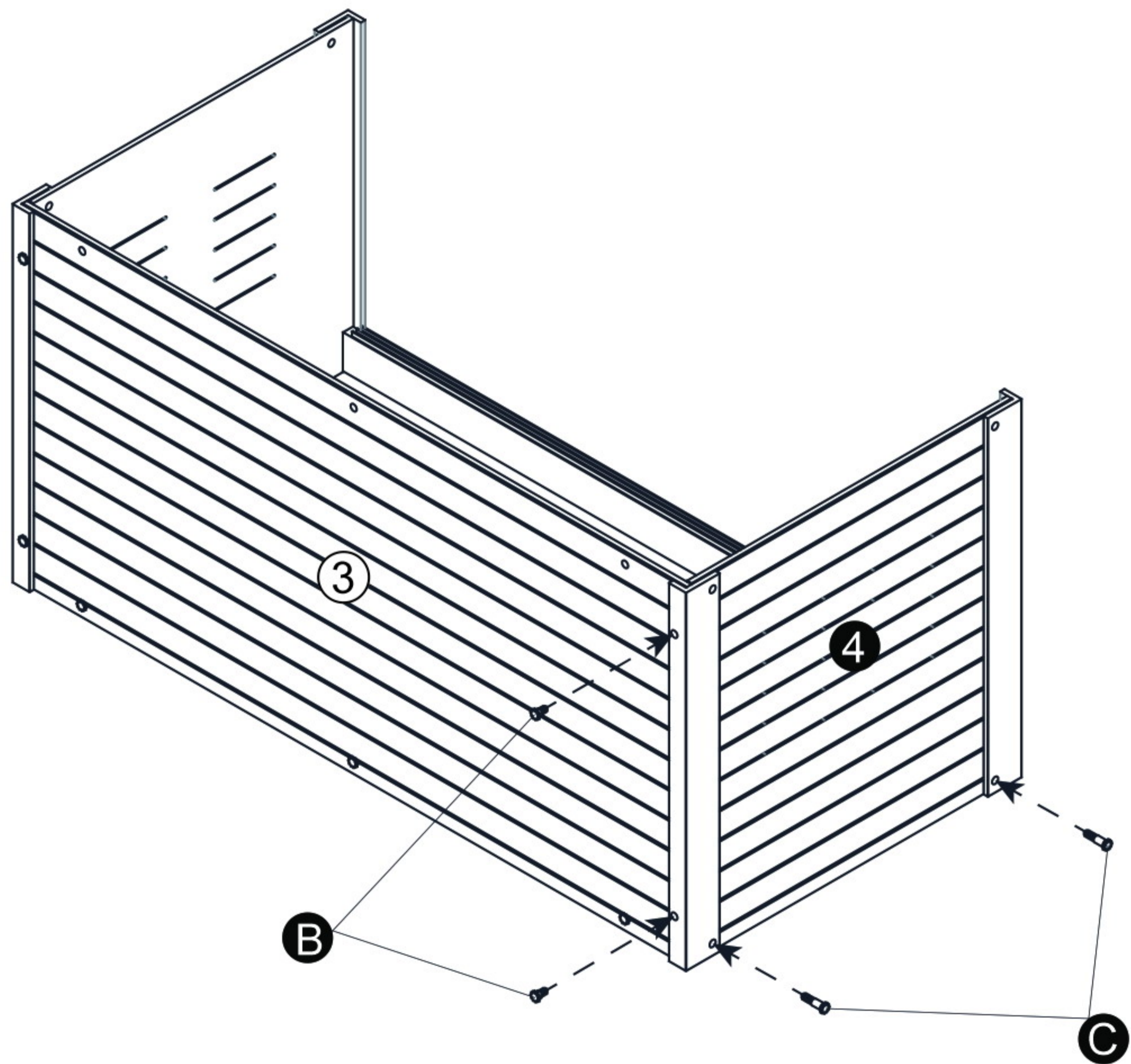


## Step 2 .

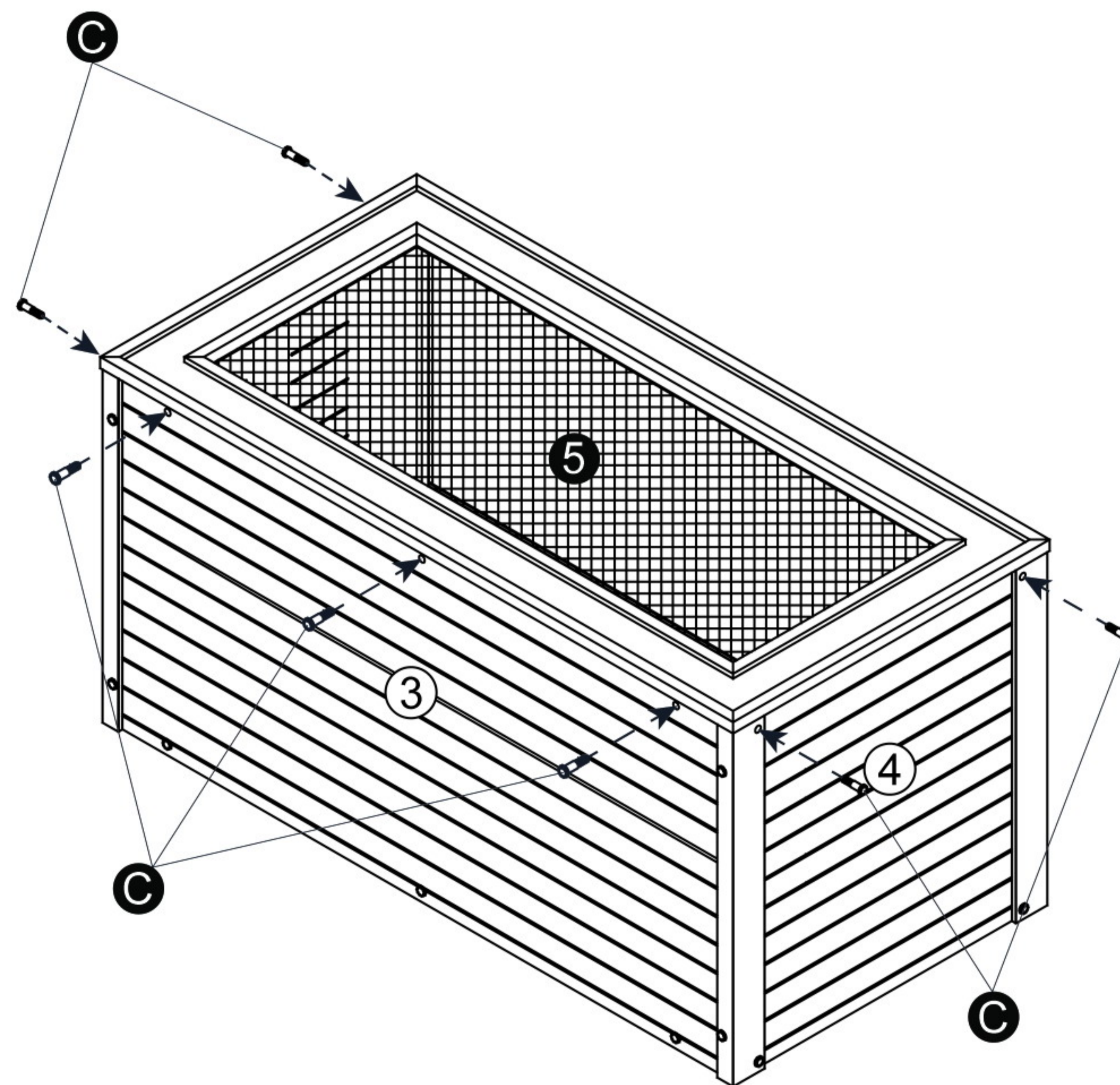
---



### Step 3 .

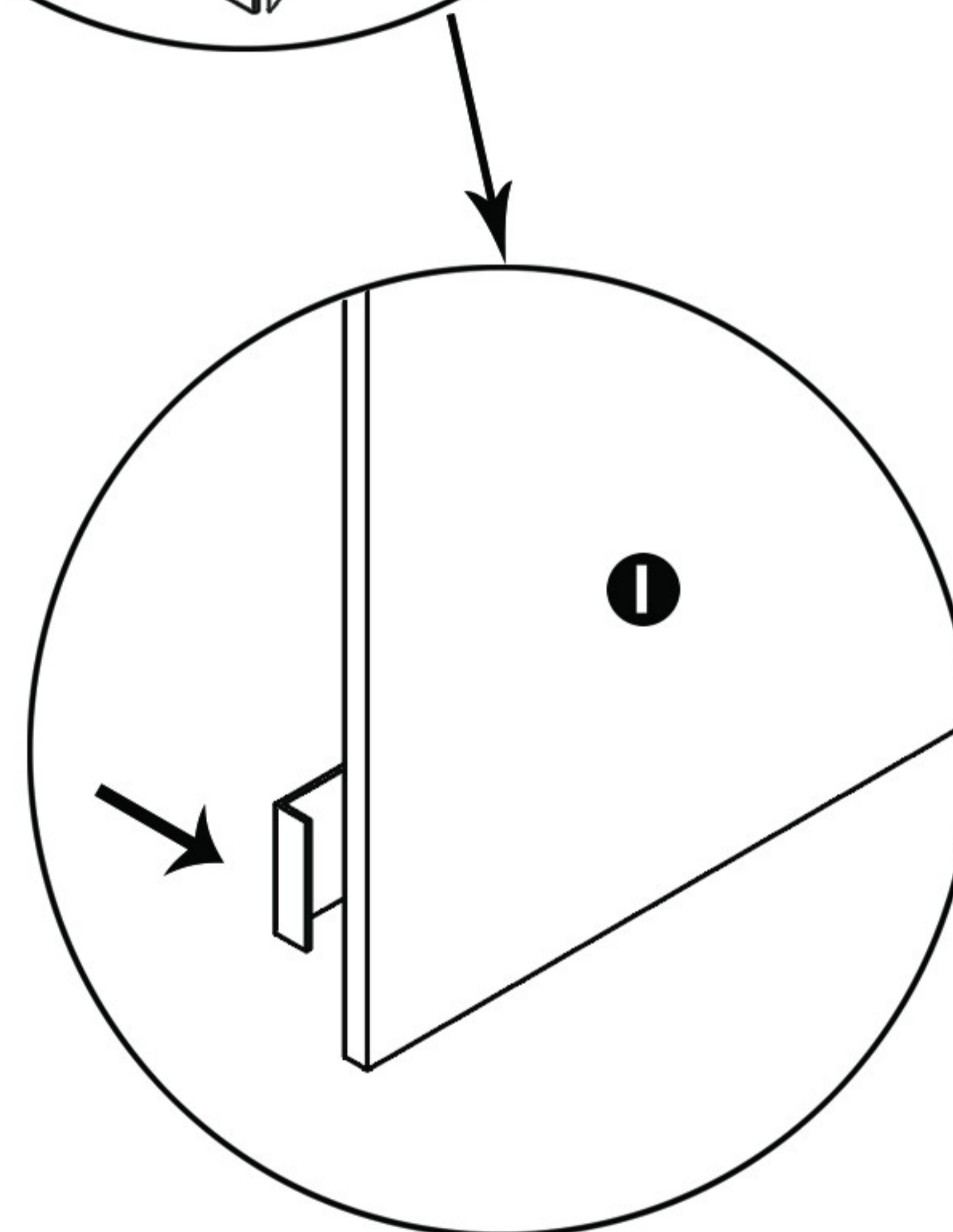
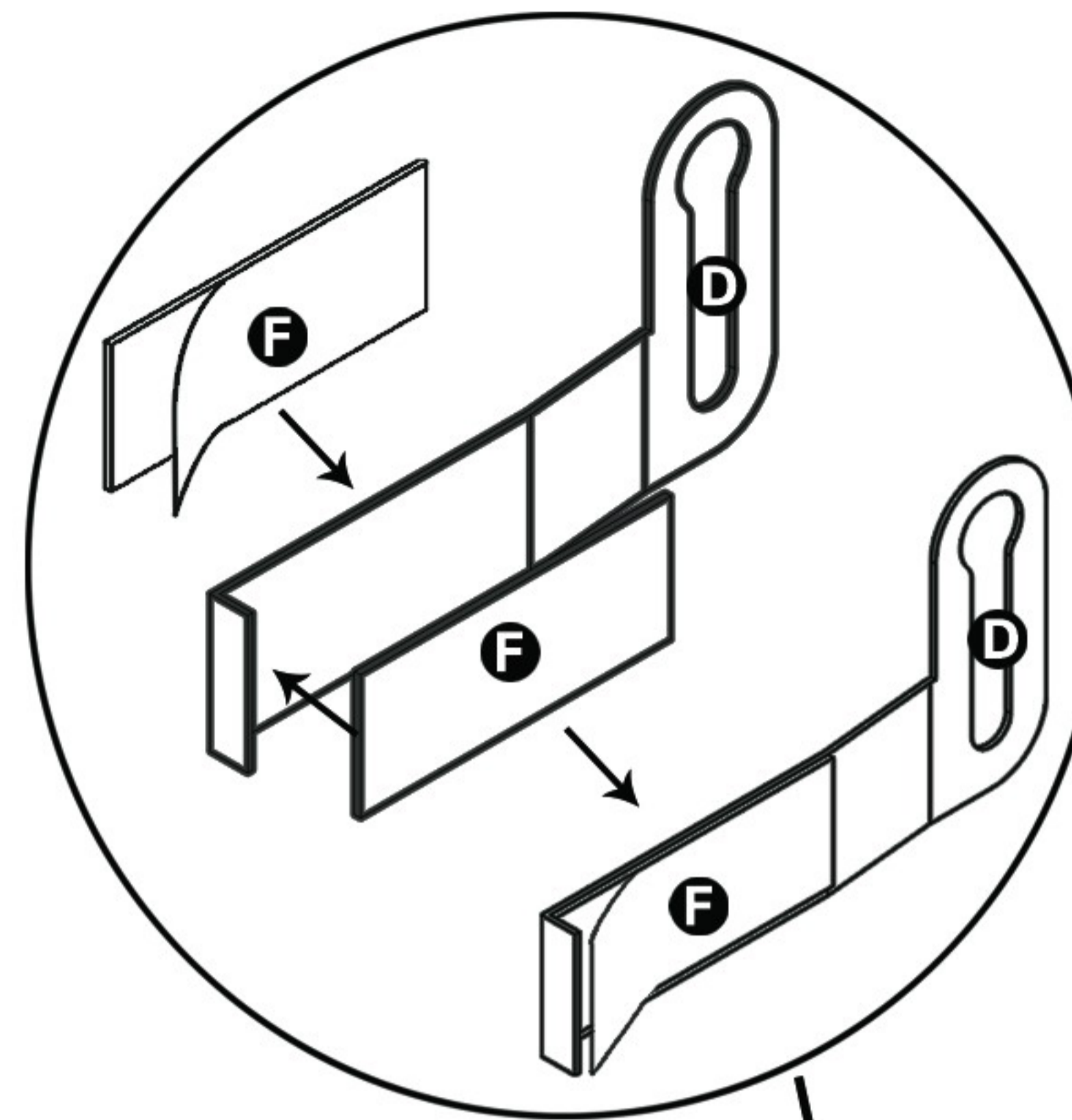
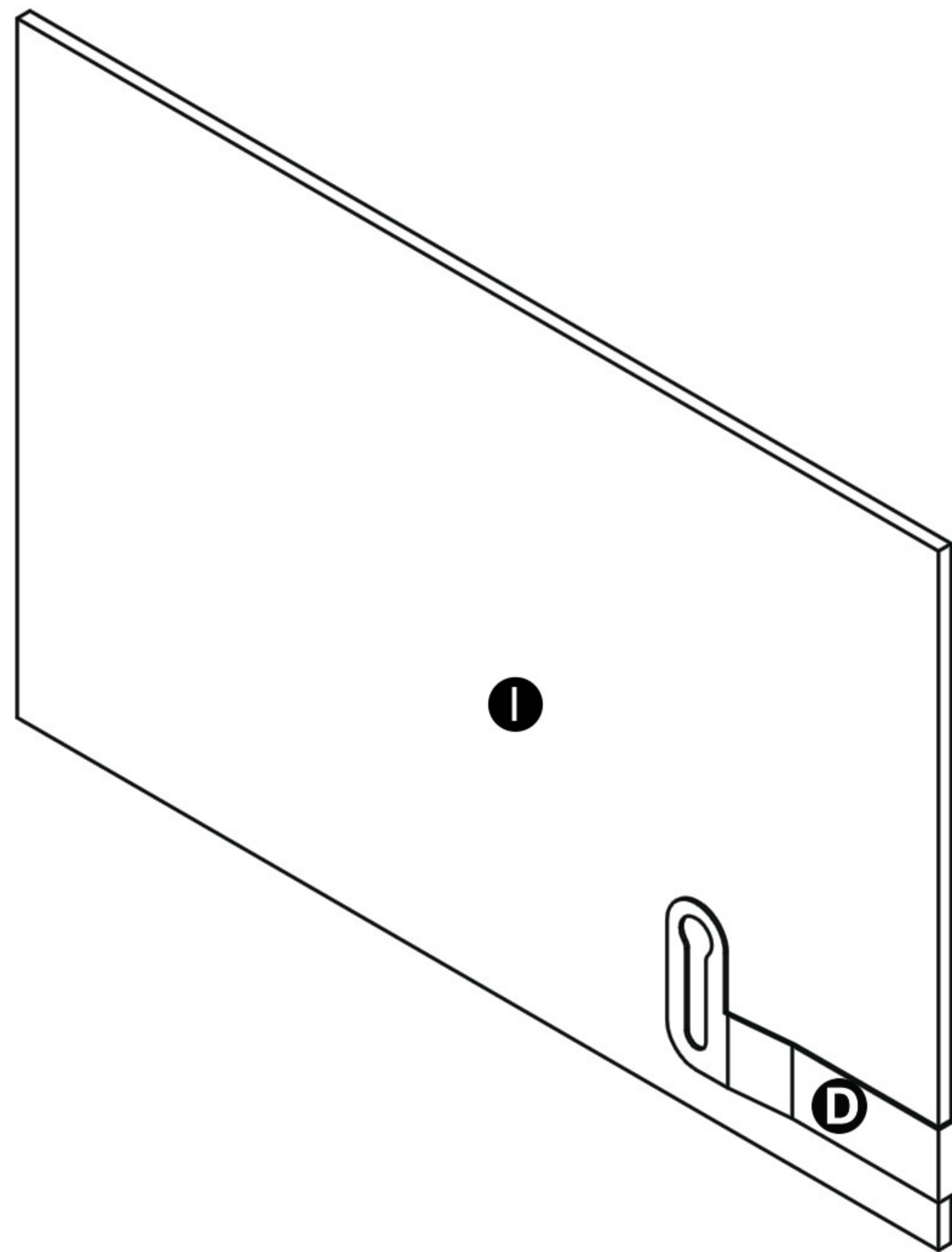


### Step 4 .



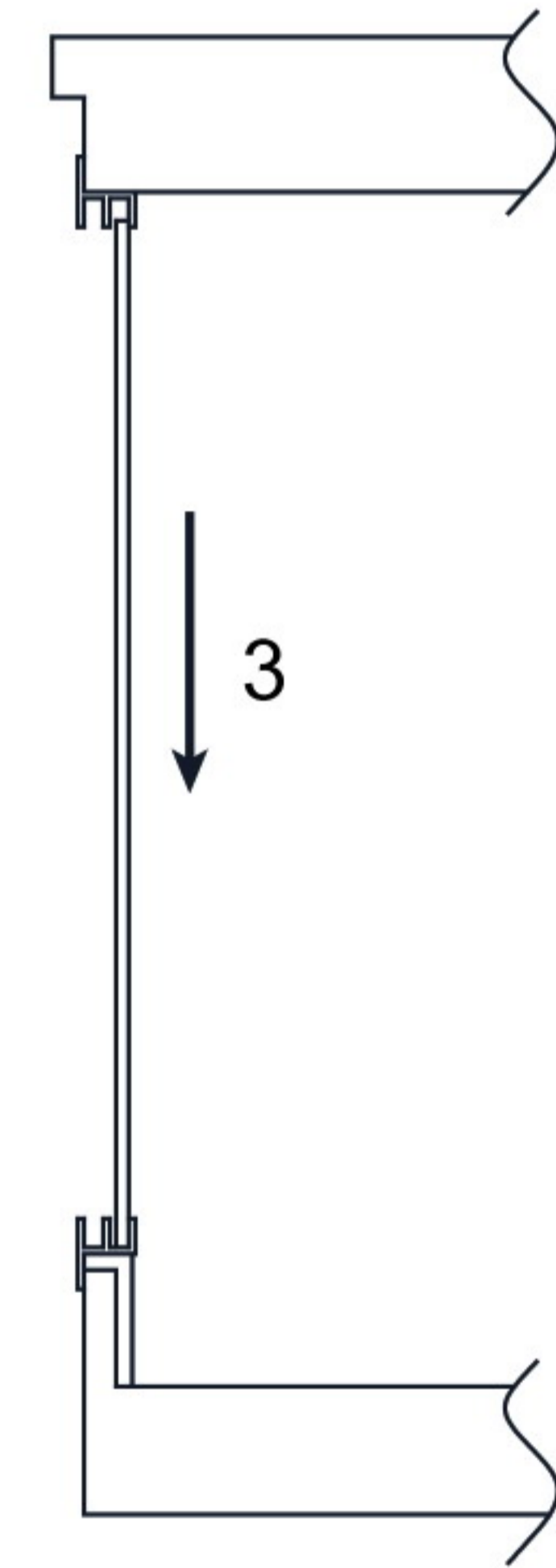
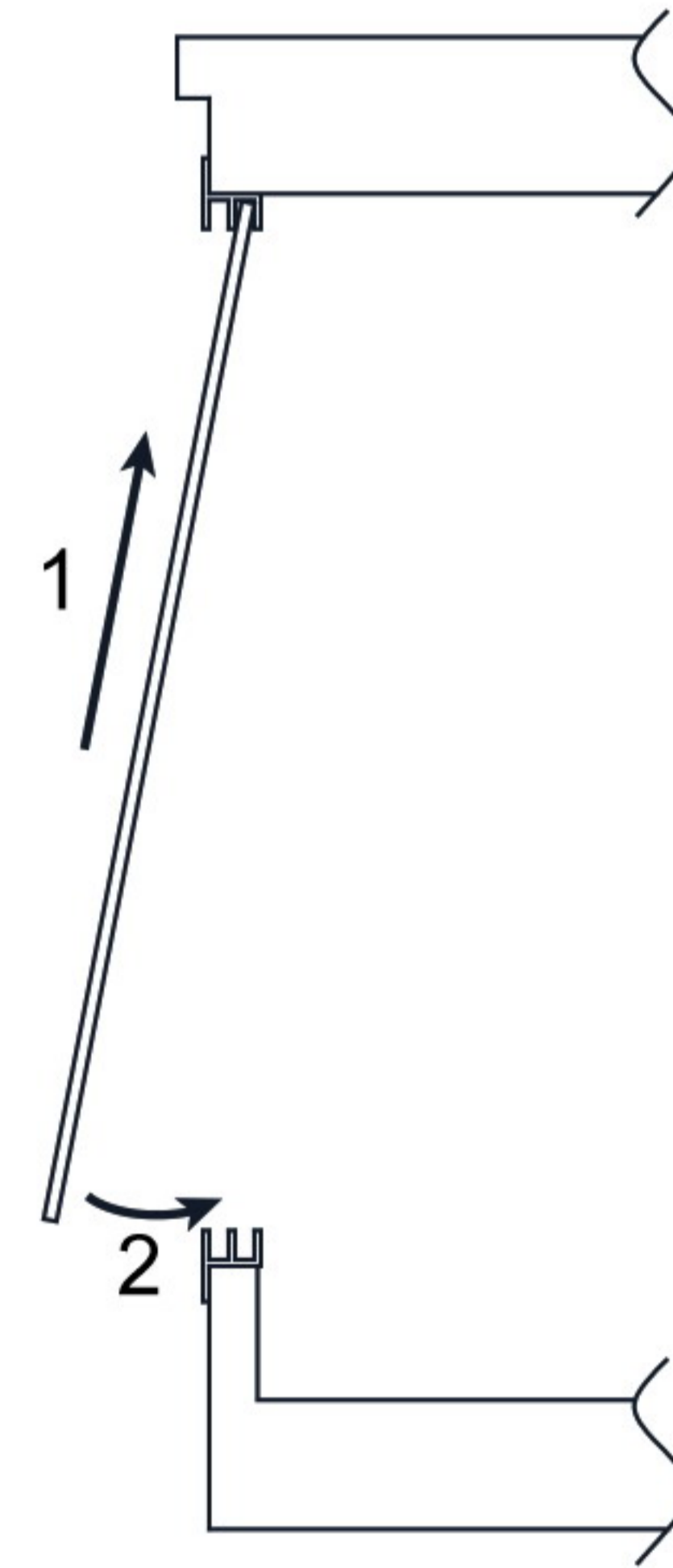
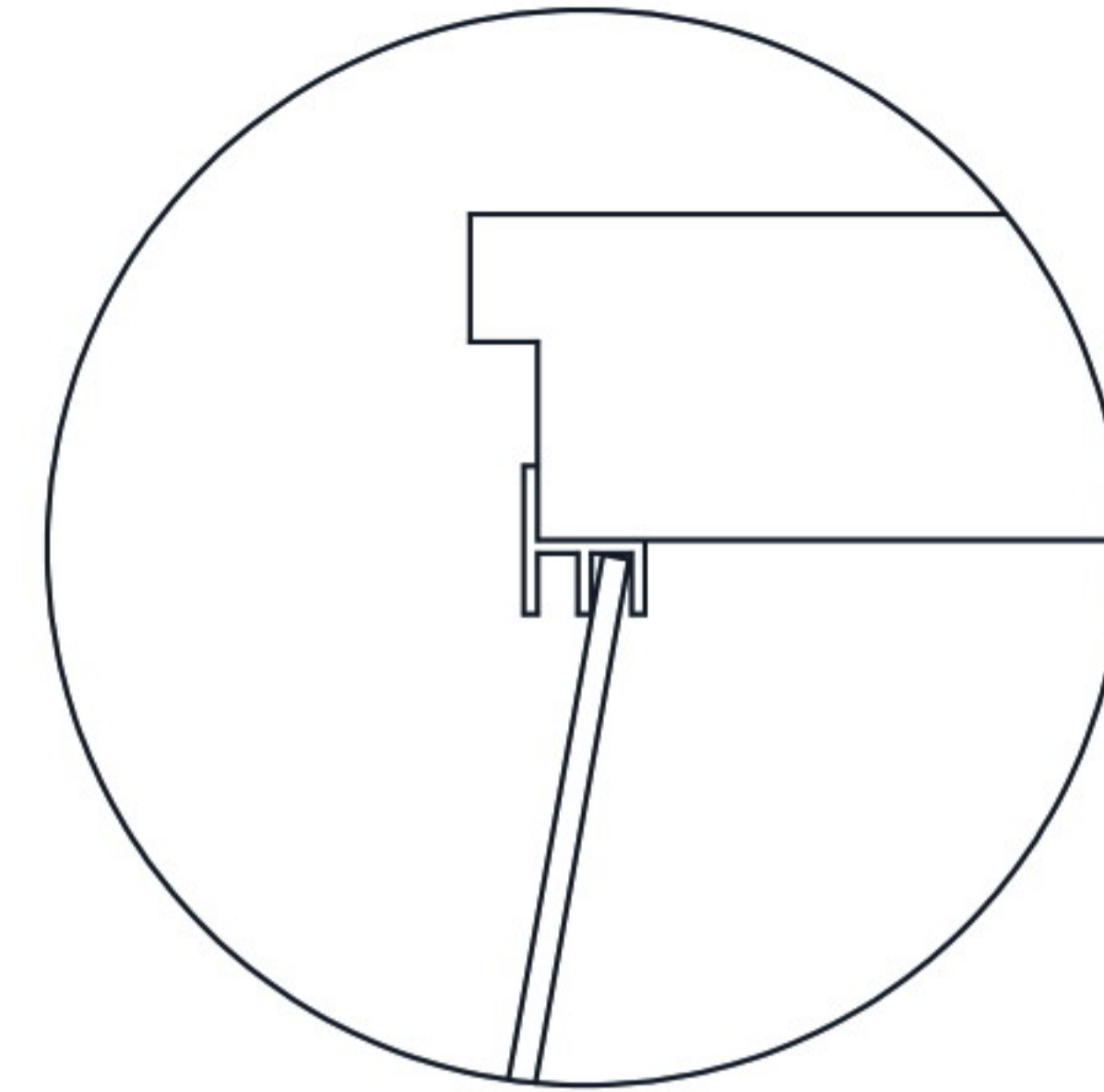
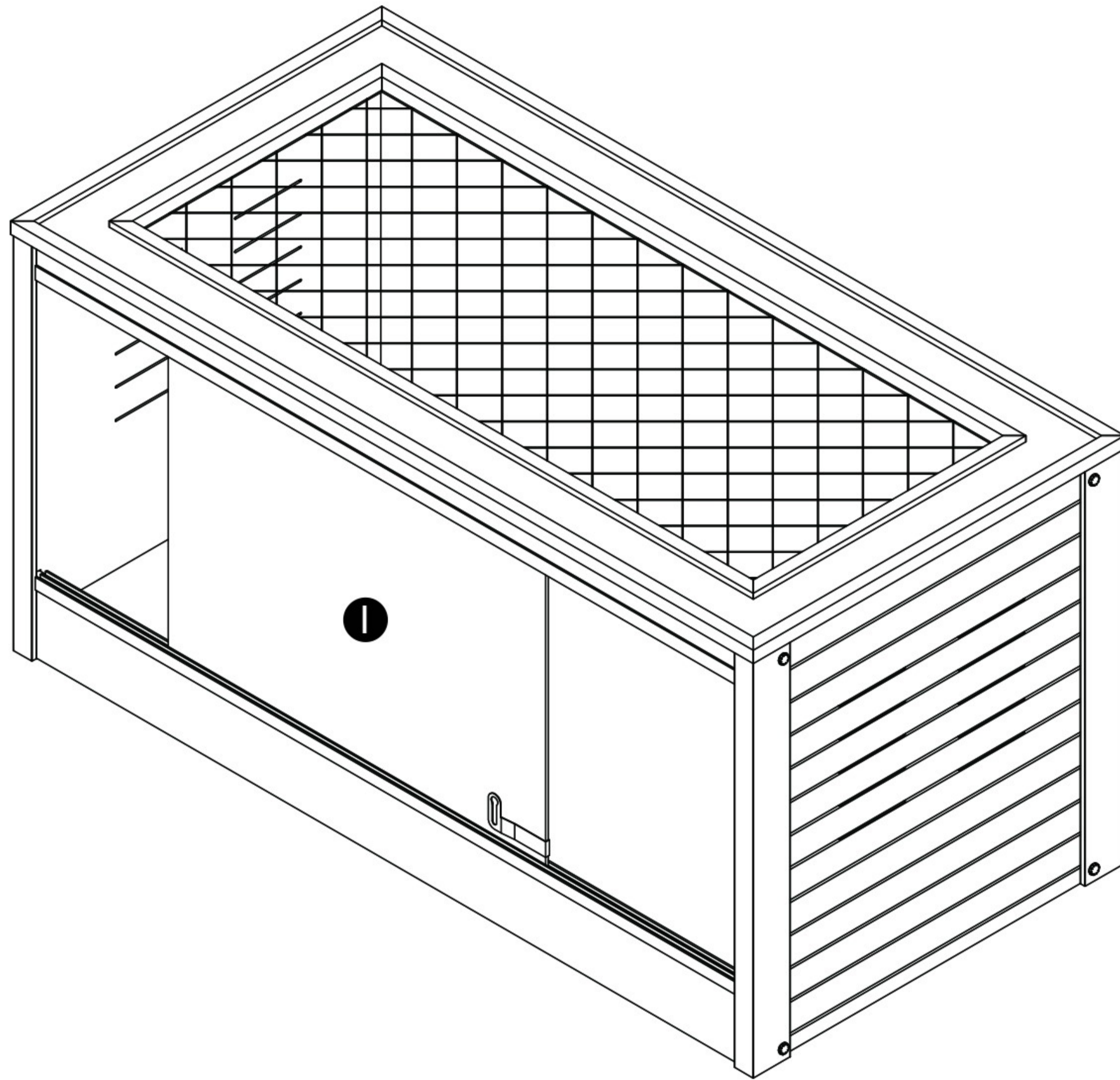
# Step 5 .

---



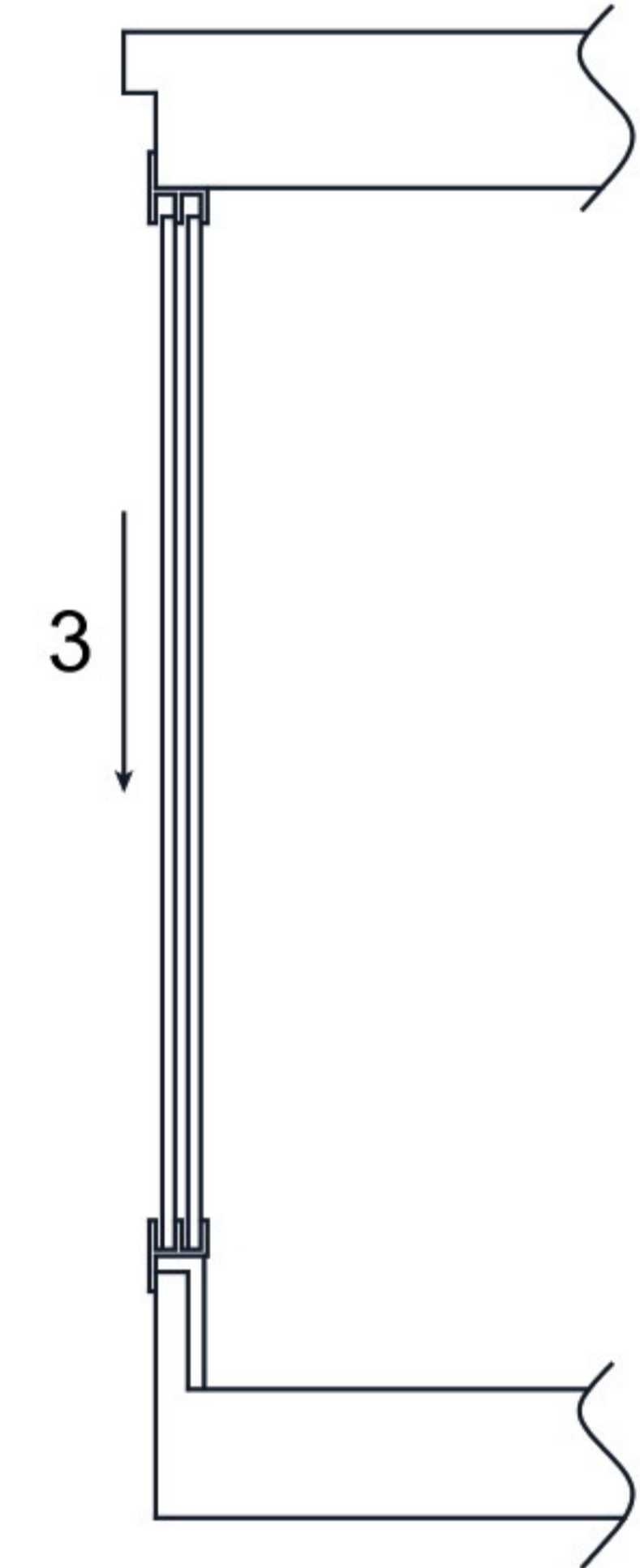
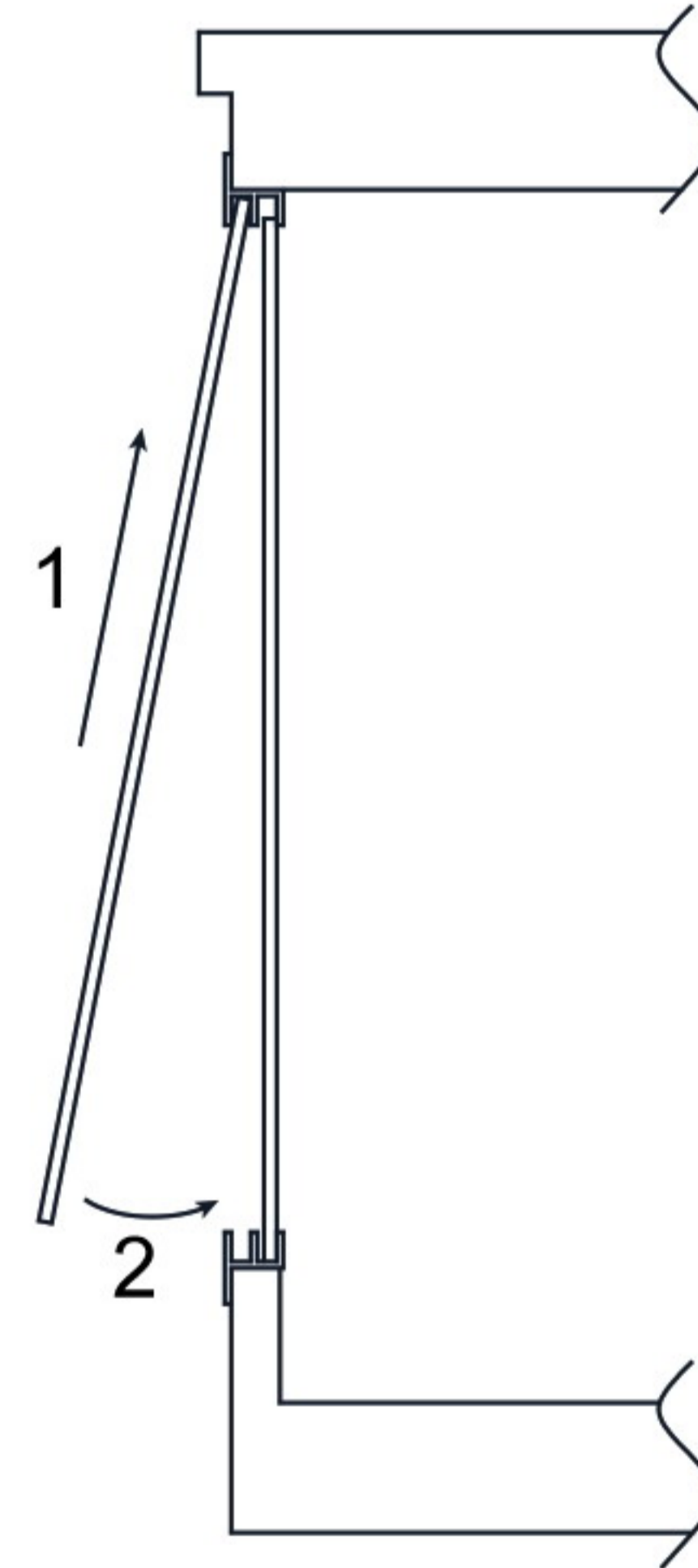
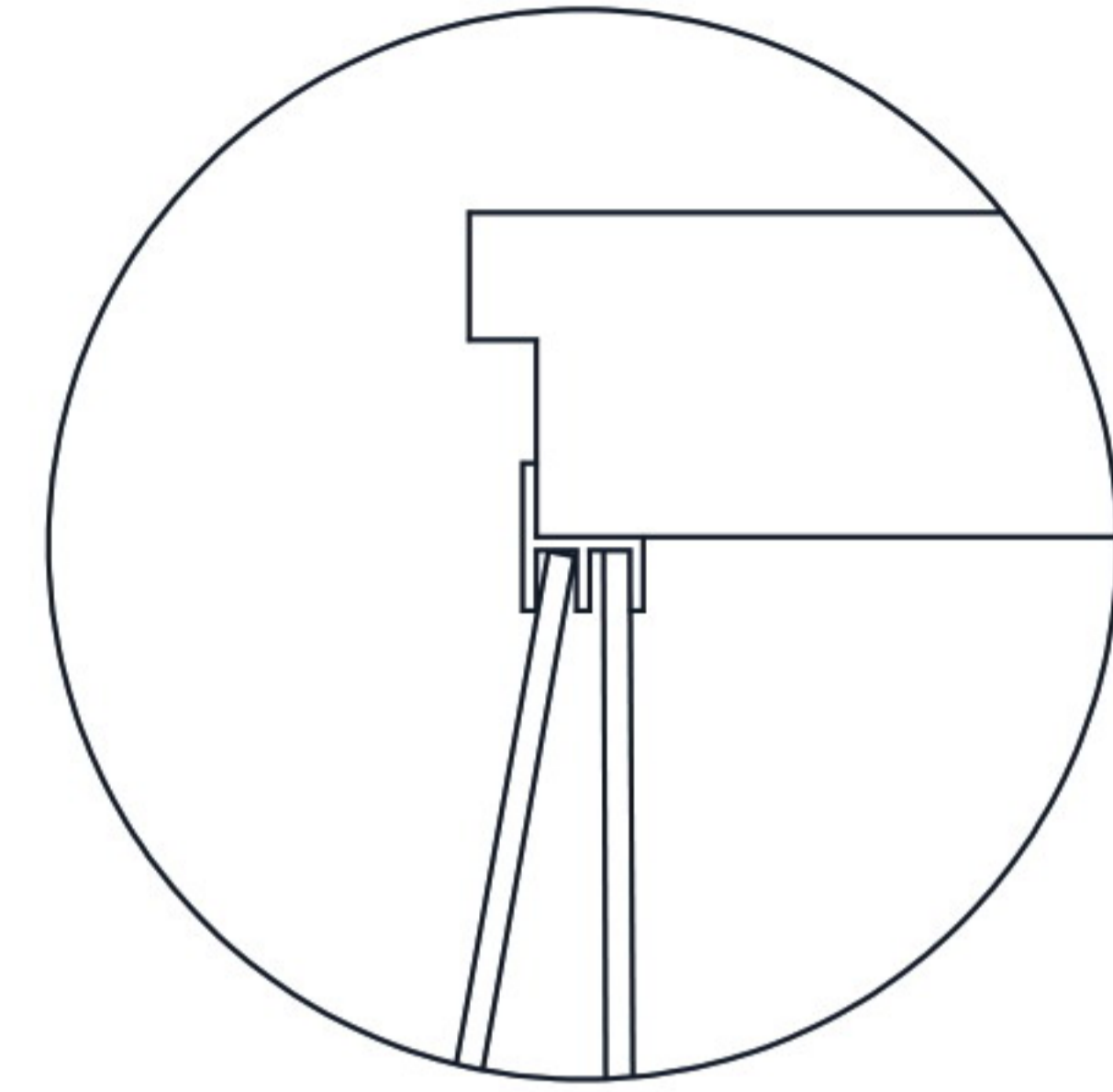
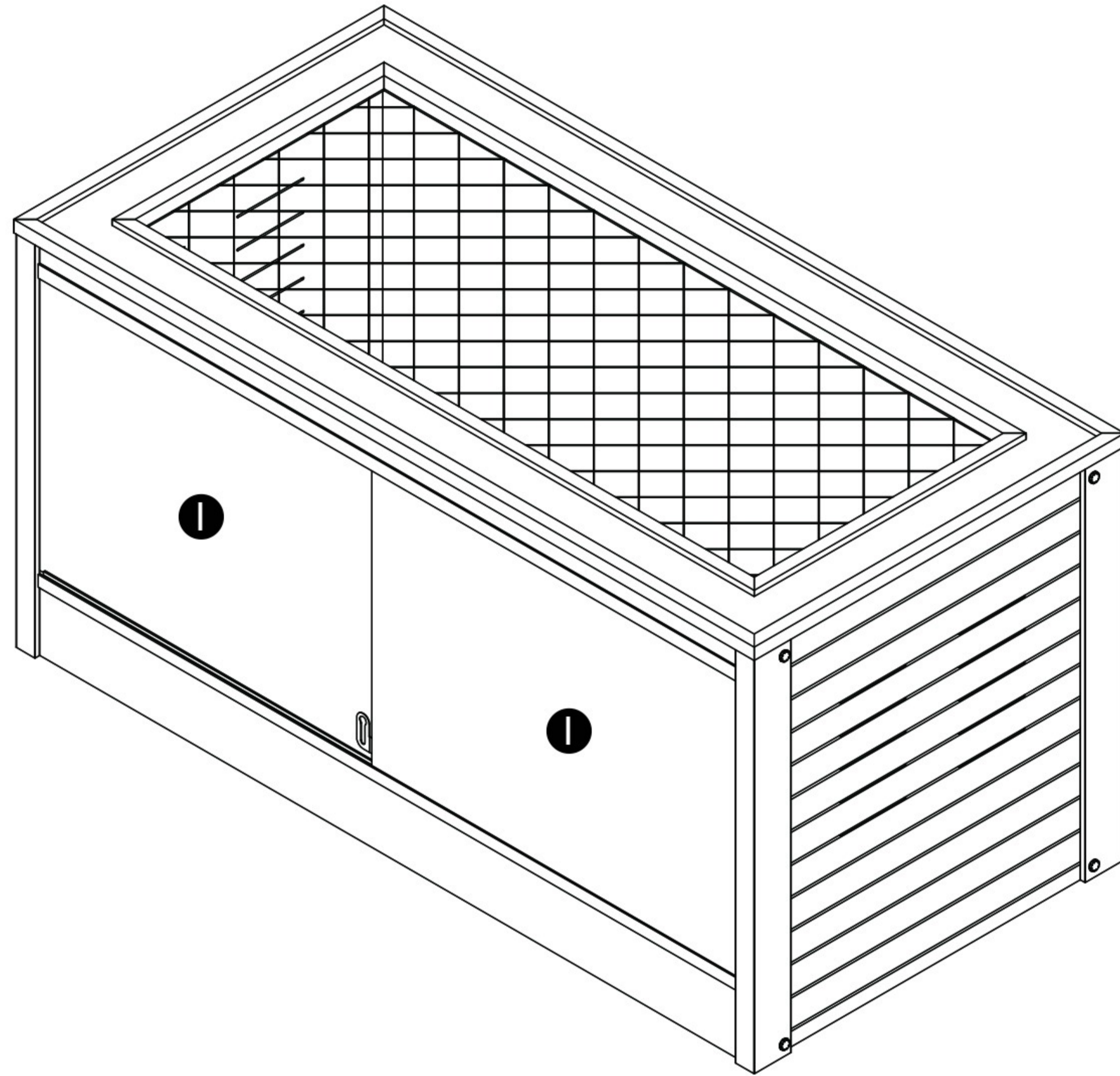
# Step 6 .

---

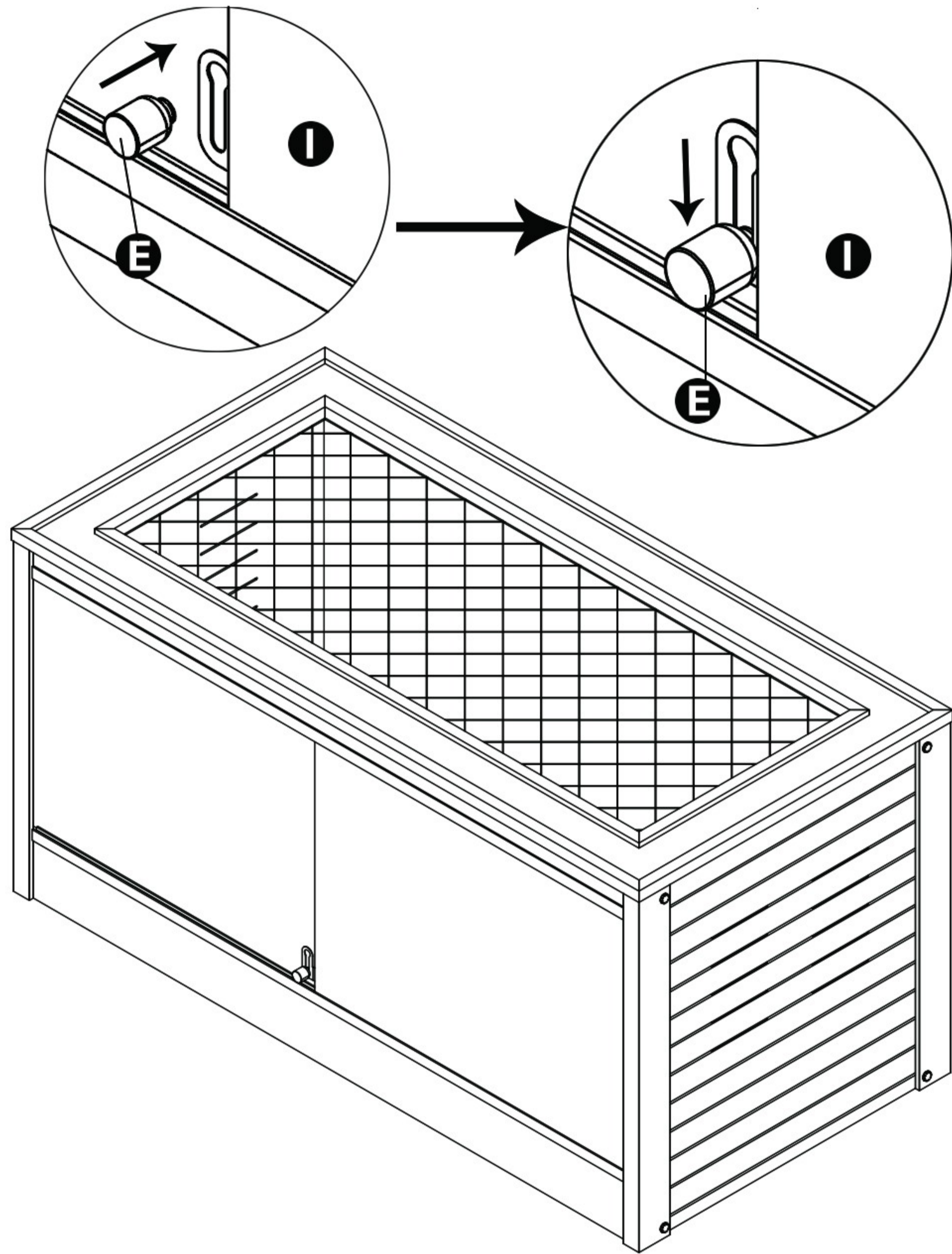


# Step 7 .

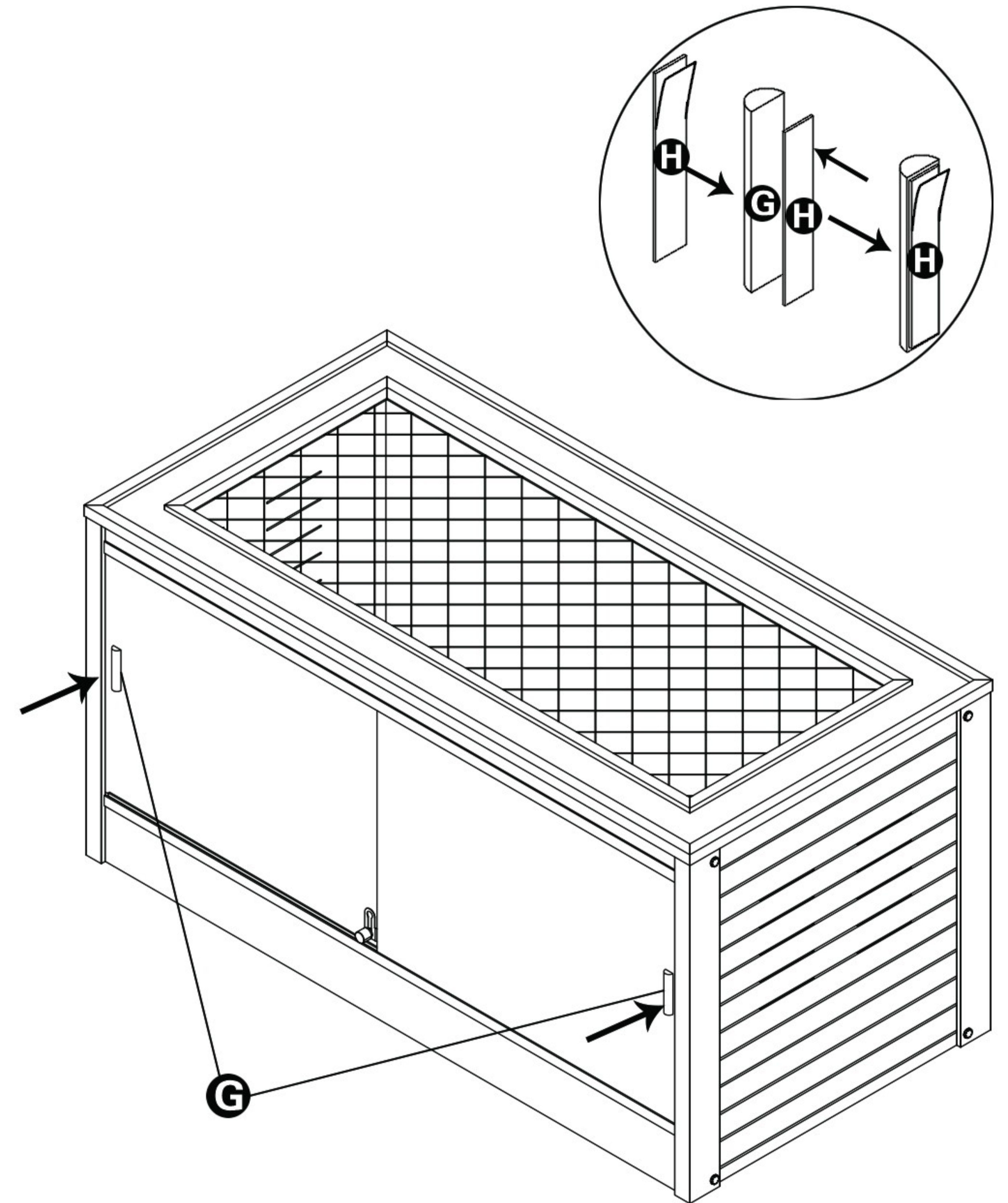
---



## Step 8 .



## Step 9 .



Complete .

