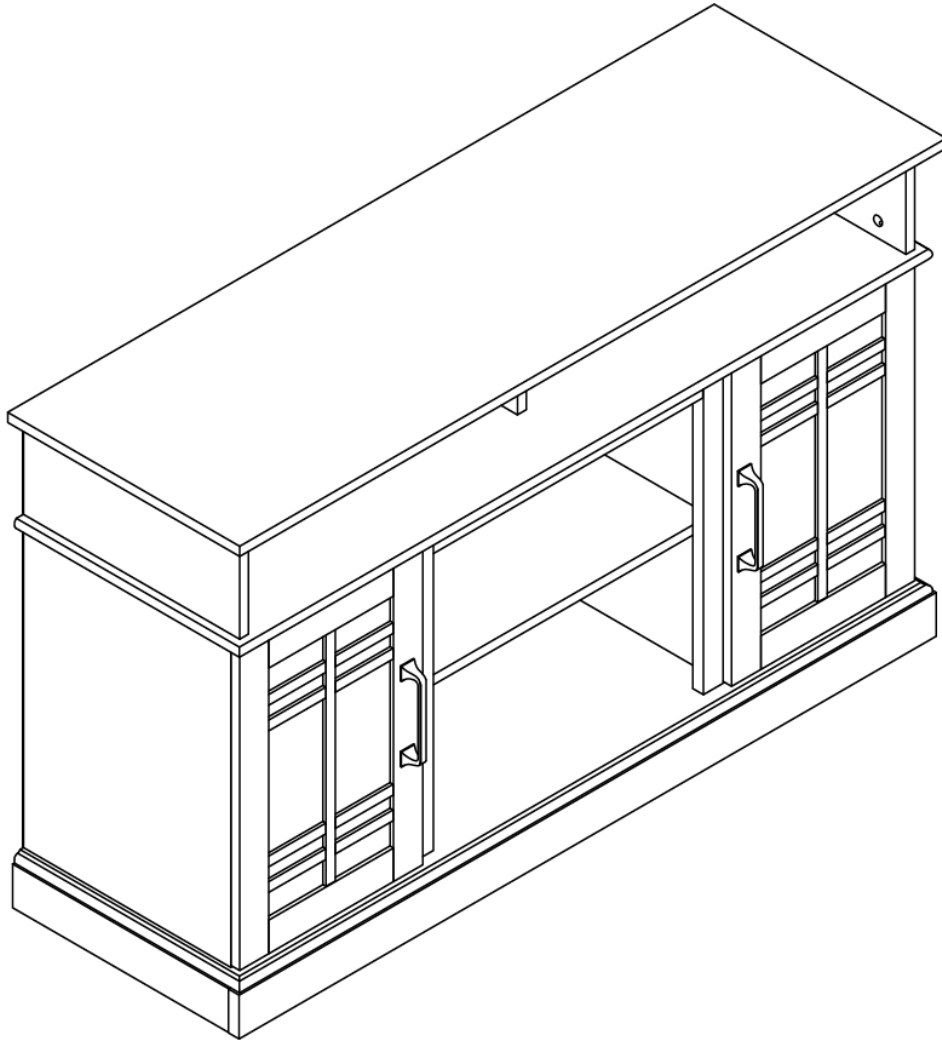


# Norrell TV Stand



**BELLEZE<sup>®</sup>**

**FOLLOW US:**

**CONTACT INFO:**

**ITEM NO. 014-HG-41802**



@bellezefurniture

support@belleze.com  
1-800-682-6376

The instruction booklet contains **IMPORTANT** safety information. Please read it in full and keep it for future reference.

[www.belleze.com](http://www.belleze.com)

Scan this QR Code  
to view our online tutorial

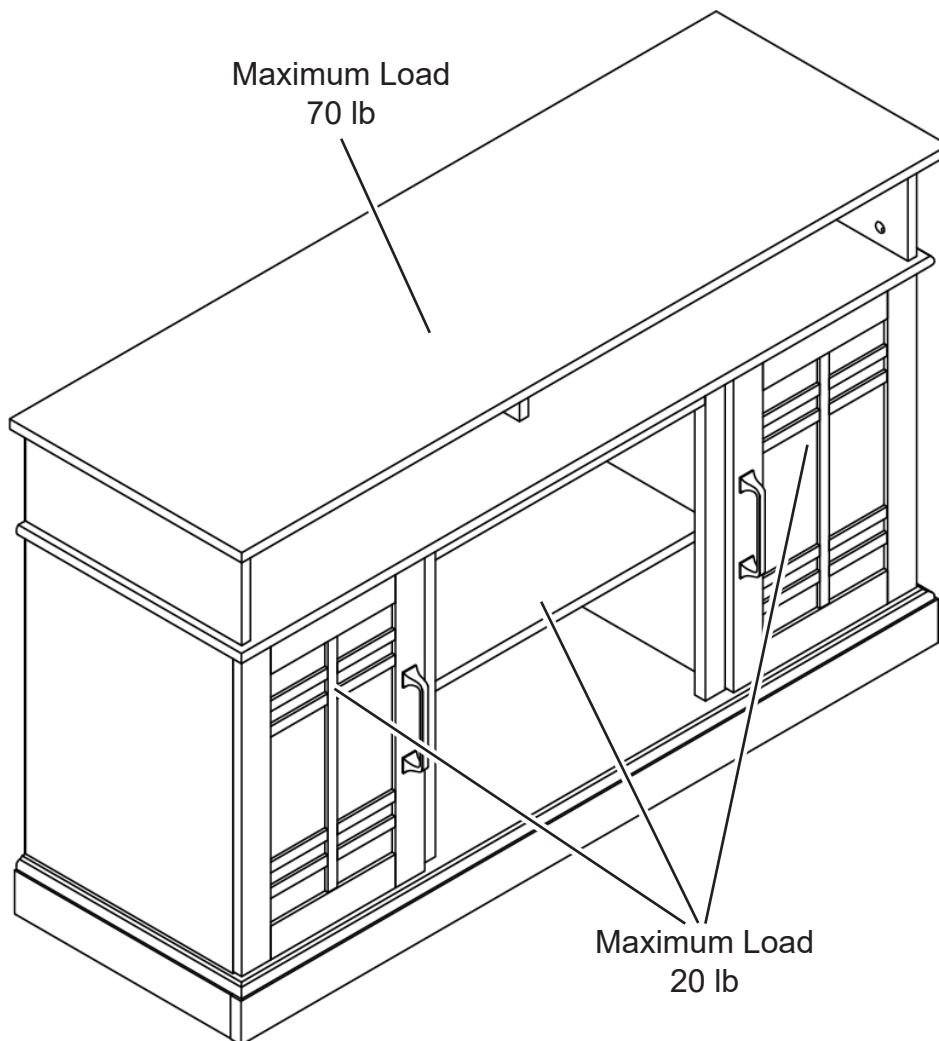


Estimated time for assembly:

**120 mins**



Weight limitations are as follows:





Assemble the furniture on an empty carton, carpet, or rug to prevent scratches or damage.

For safety, please keep pets and children away from the assembly area.

Ensure the product is fully assembled before use. If you are missing any hardware or products, do not use it until you have restored the missing parts.



This furniture requires 2 people for assembly.

Read this instruction manual prior to assembly to familiarize yourself with the various steps.

Lay out all components and hardware separately on a flat surface and make sure that no parts are missing or damaged before assembly. Do not destroy or discard any packaging until you are certain that you have all the necessary parts for assembly.

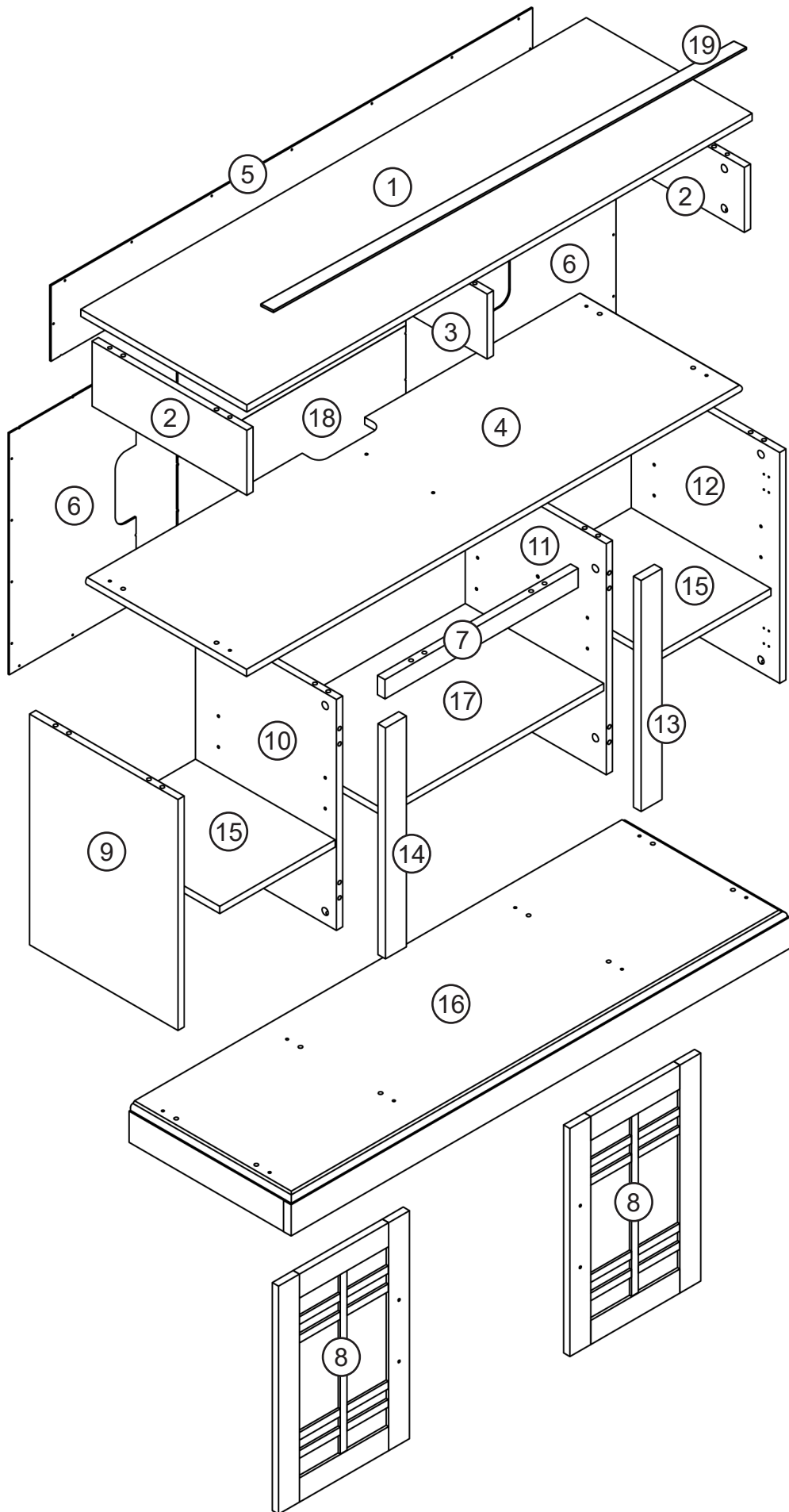
Hand tight all hardware and careful not to over tighten to avoid damaging the product.

## **CAUTION**

There are small components used in the construction of this product. Loose items should be kept away from pets and children to avoid a choking hazard.

Keep all plastic bags and packaging film away from pets and children to avoid suffocation.

# PACKAGE CONTENTS



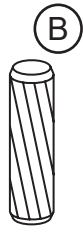
# PACKAGE CONTENTS

CODE	DESCRIPTION	QTY
1	Top Panel	1
2	Top Side Panel	2
3	Top Medial Panel	1
4	Center Panel	1
5	Top Back Panel	1
6	Side Back Panel	2
7	Horizontal Surround Panel	1
8	Cabinet Door	2
9	Left Side Panel	1
10	Left Medial Panel	1
11	Right Medial Panel	1
12	Right Side Panel	1
13	Right Surround Panel	1
14	Left Surround Panel	1
15	Side Storage Panel	2
16	Base	1
17	Center Storage Panel	1
18	Center Back Panel	1
19	Wood Strip	1

# PACKAGE CONTENTS



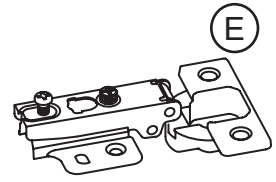
32x + 3x



30x + 3x



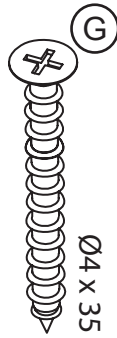
32x + 3x



4x



2x



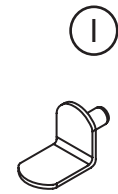
2x

Ø4 x 35

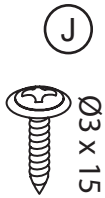


4x

5/32" x 19

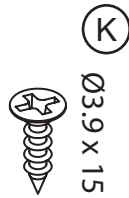


12x + 1x



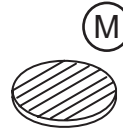
49x + 4x

Ø3 x 15

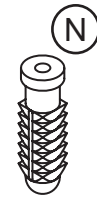


24x + 2x

Ø3.9 x 15



32x + 3x

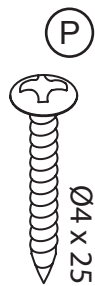


2x



2x

Ø4 x 18



2x

Ø4 x 25

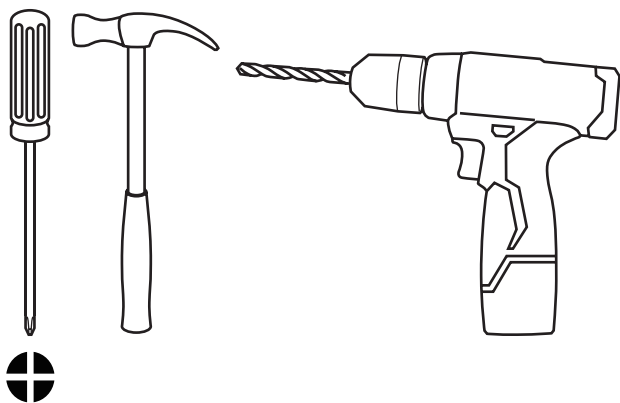


2x



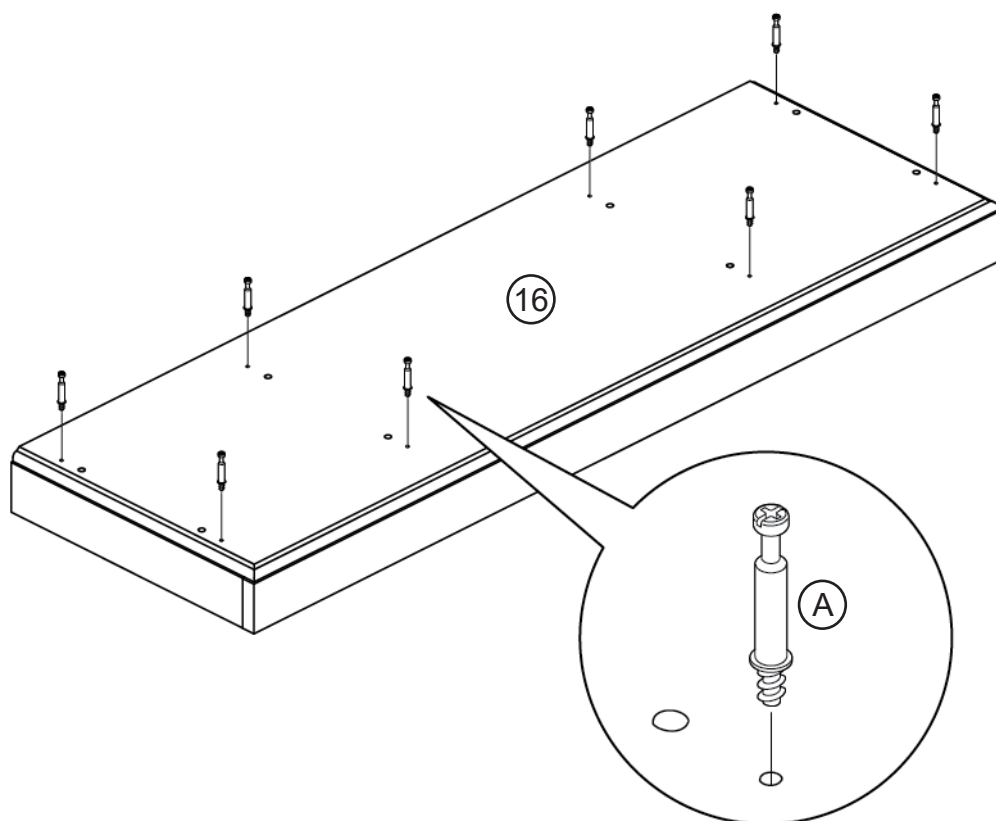
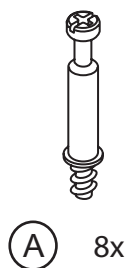
Install all hardware perpendicular to the opening.

Required tools for assembly (Not included)



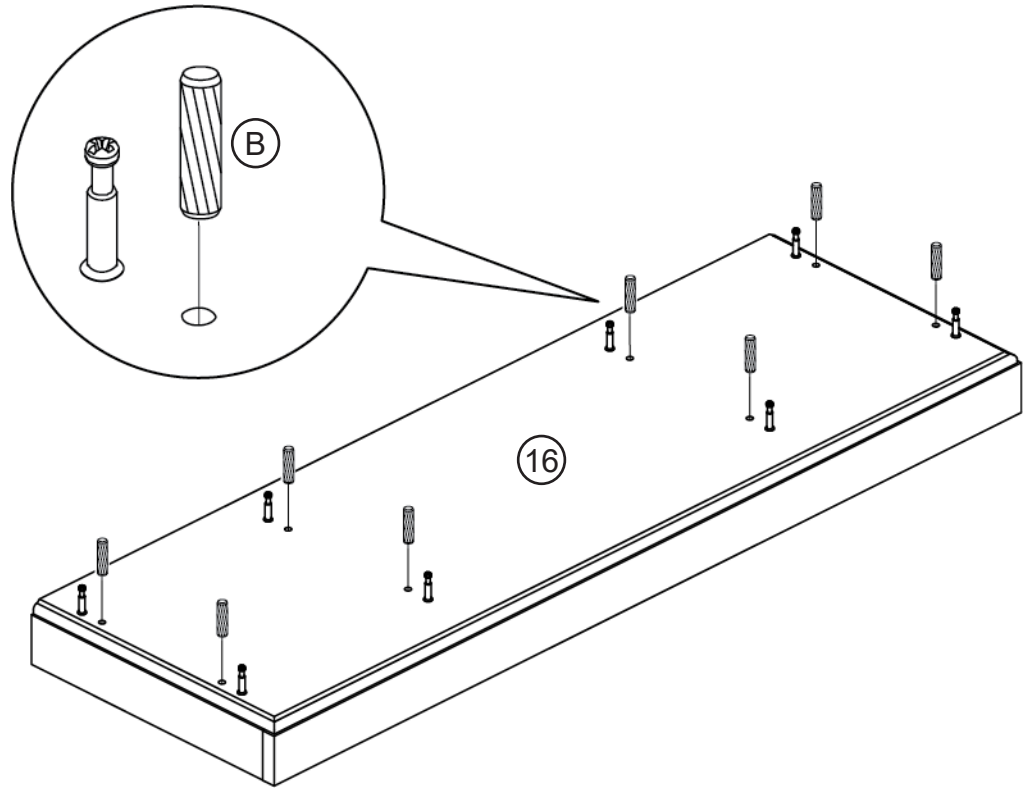
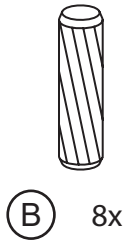
**1**

Attach cam bolts to the base (16).



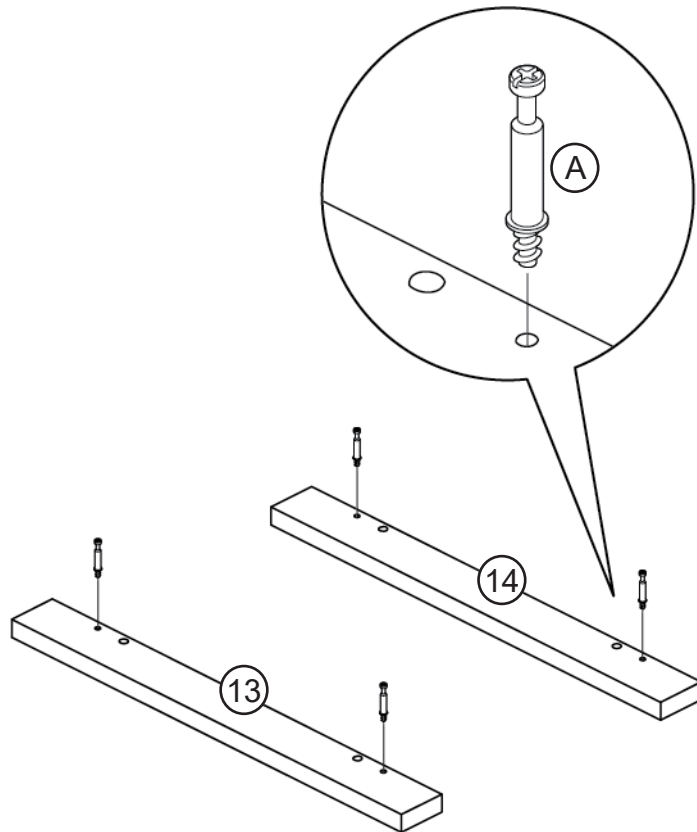
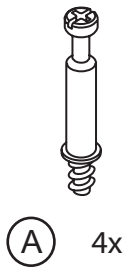
# 2

Insert wood dowels into the base (16).



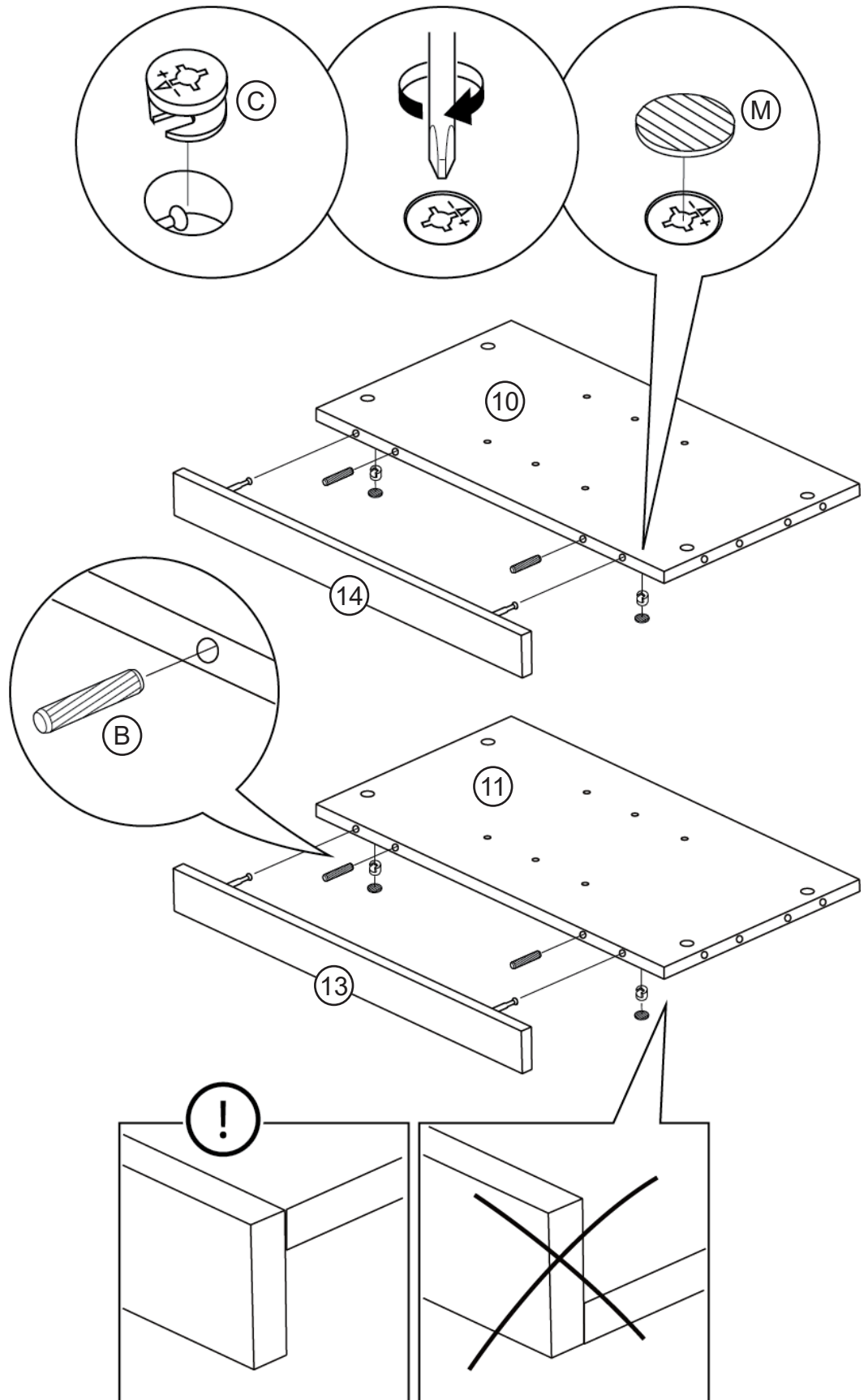
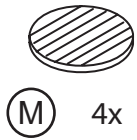
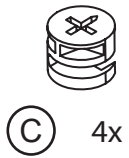
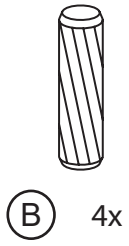
# 3

Attach cam bolts to the left and right surround panels (13, 14).



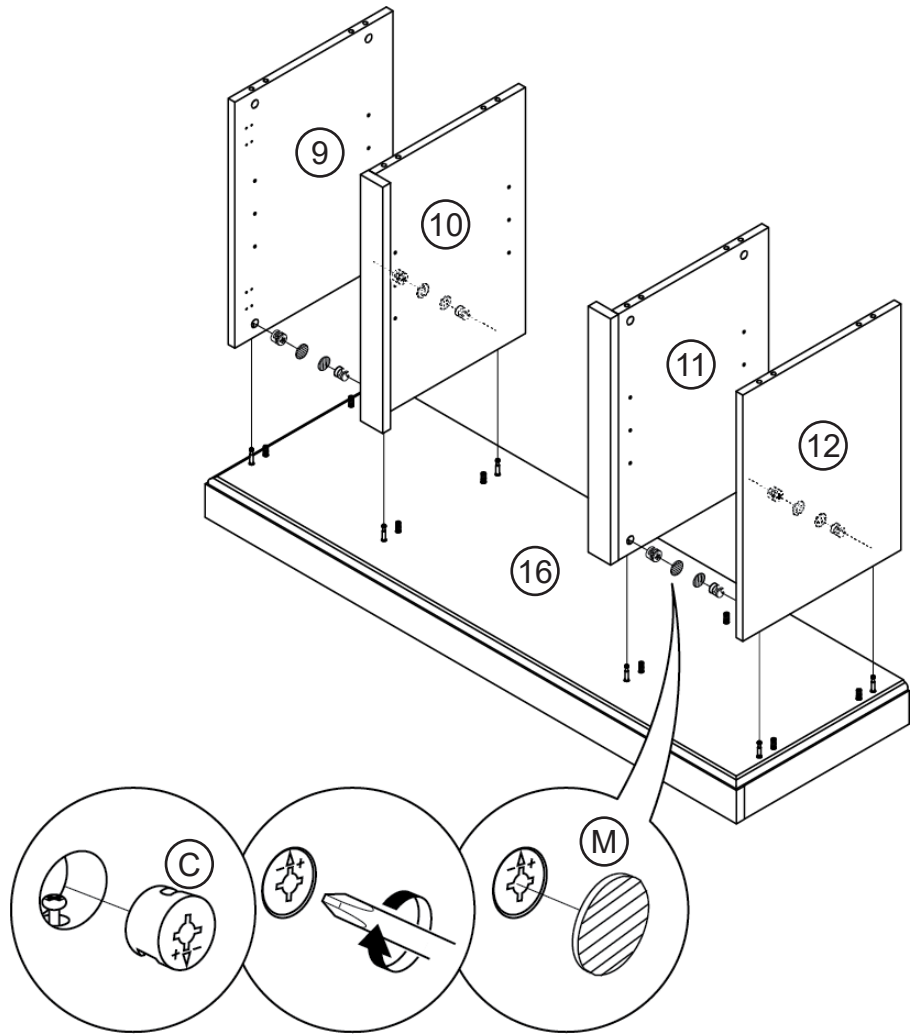
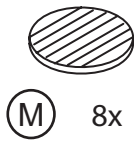
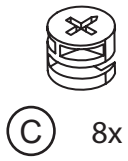
# 4

Assemble the right surround panel (13) to the right medial panel (11), and the left surround panel (14) to the left medial panel (10).



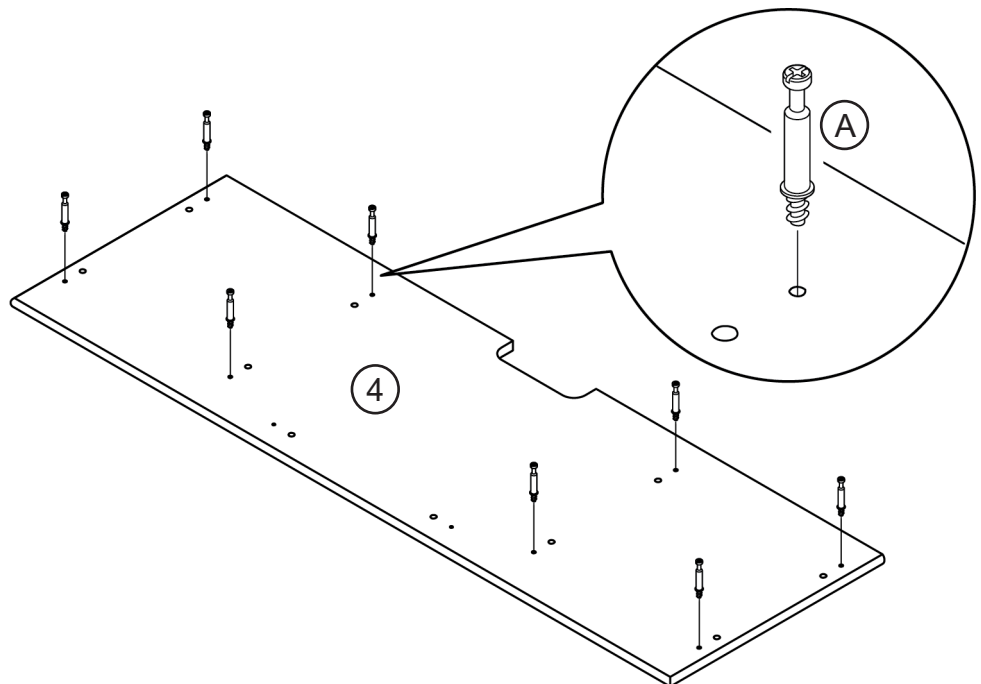
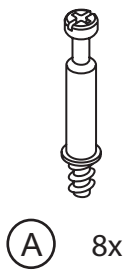
# 5

Assemble the side panels (9, 12) and the medial panels (10, 11) onto the base (16).



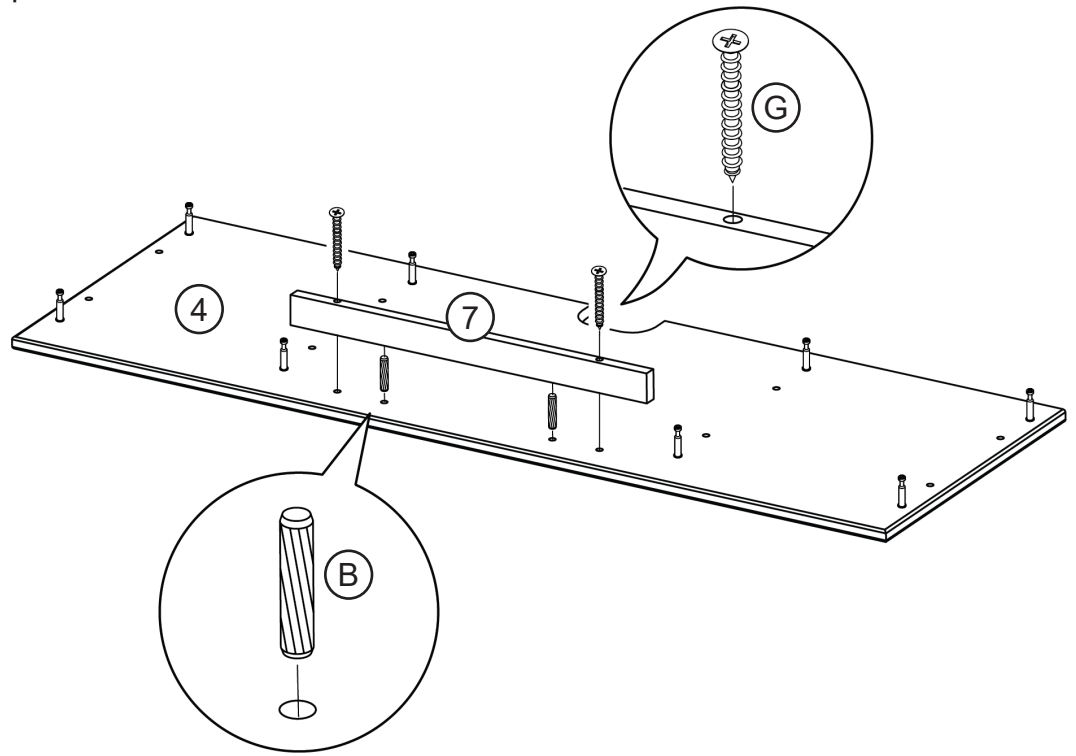
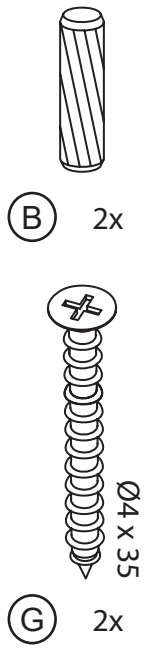
# 6

Attach cam bolts to the underside of the center panel (4).



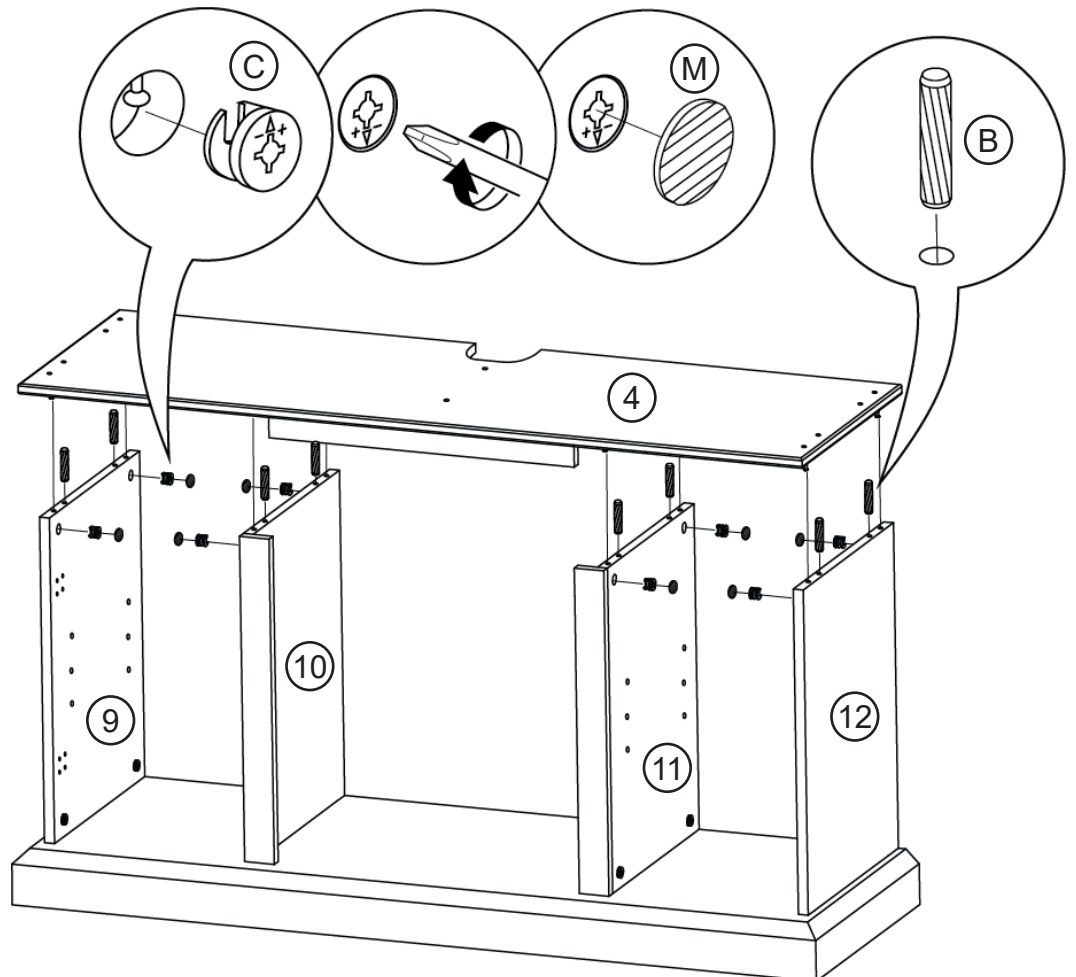
# 7

Assemble the horizontal surround panel (7) to the underside of the center panel (4).



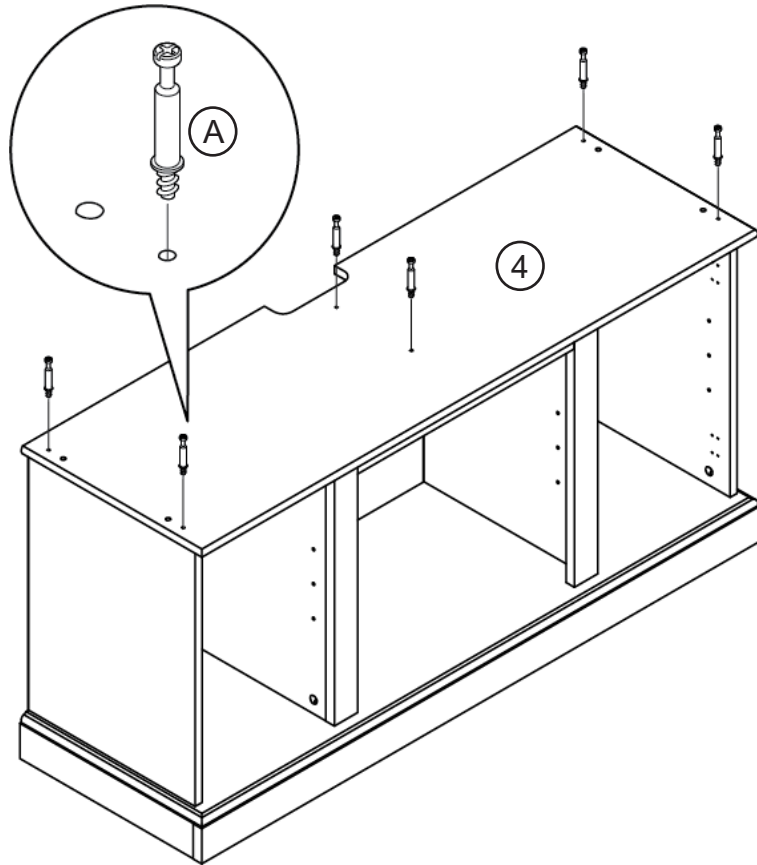
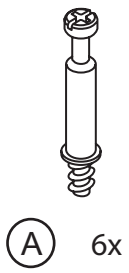
# 8

Assemble the center panel (4) on top of the side panels and the medial panels.



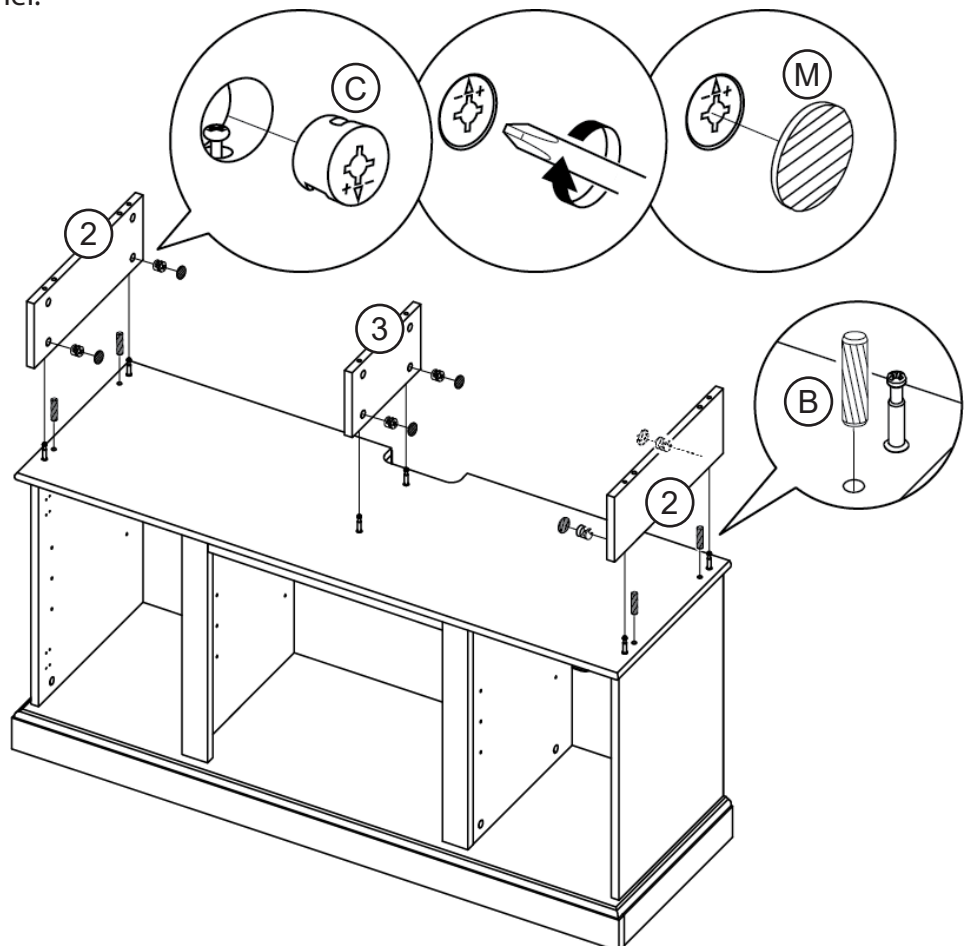
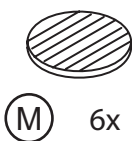
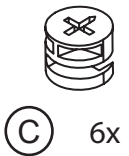
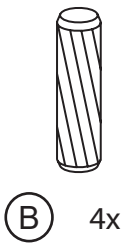
# 9

Attach cam bolts on top of the center panel (4).



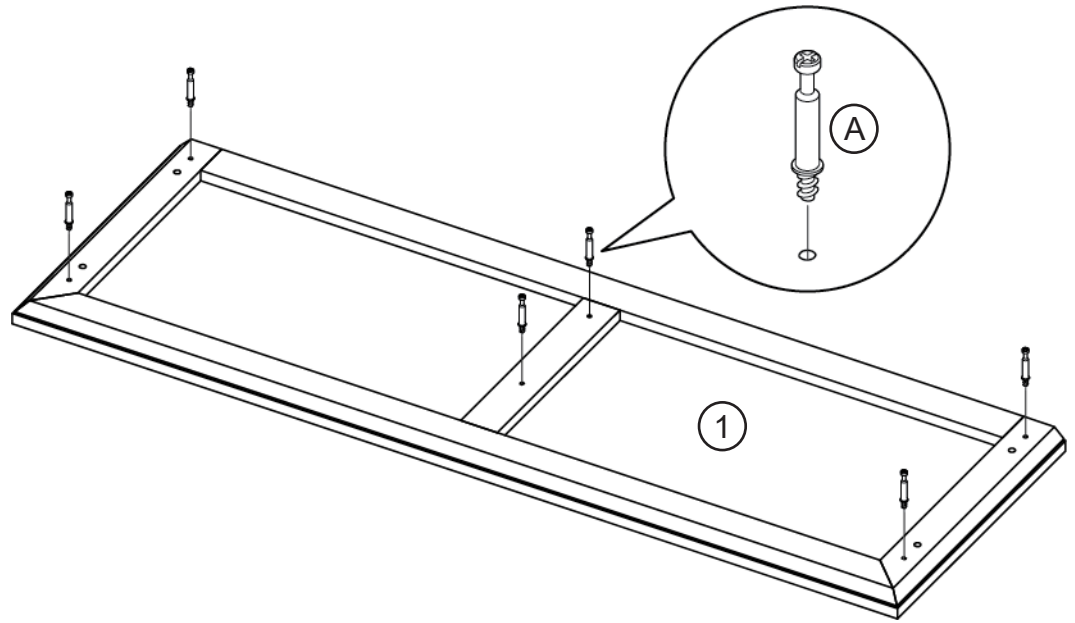
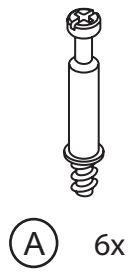
# 10

Assemble top side panels (2) and top medial panel (3) on top of the center panel.



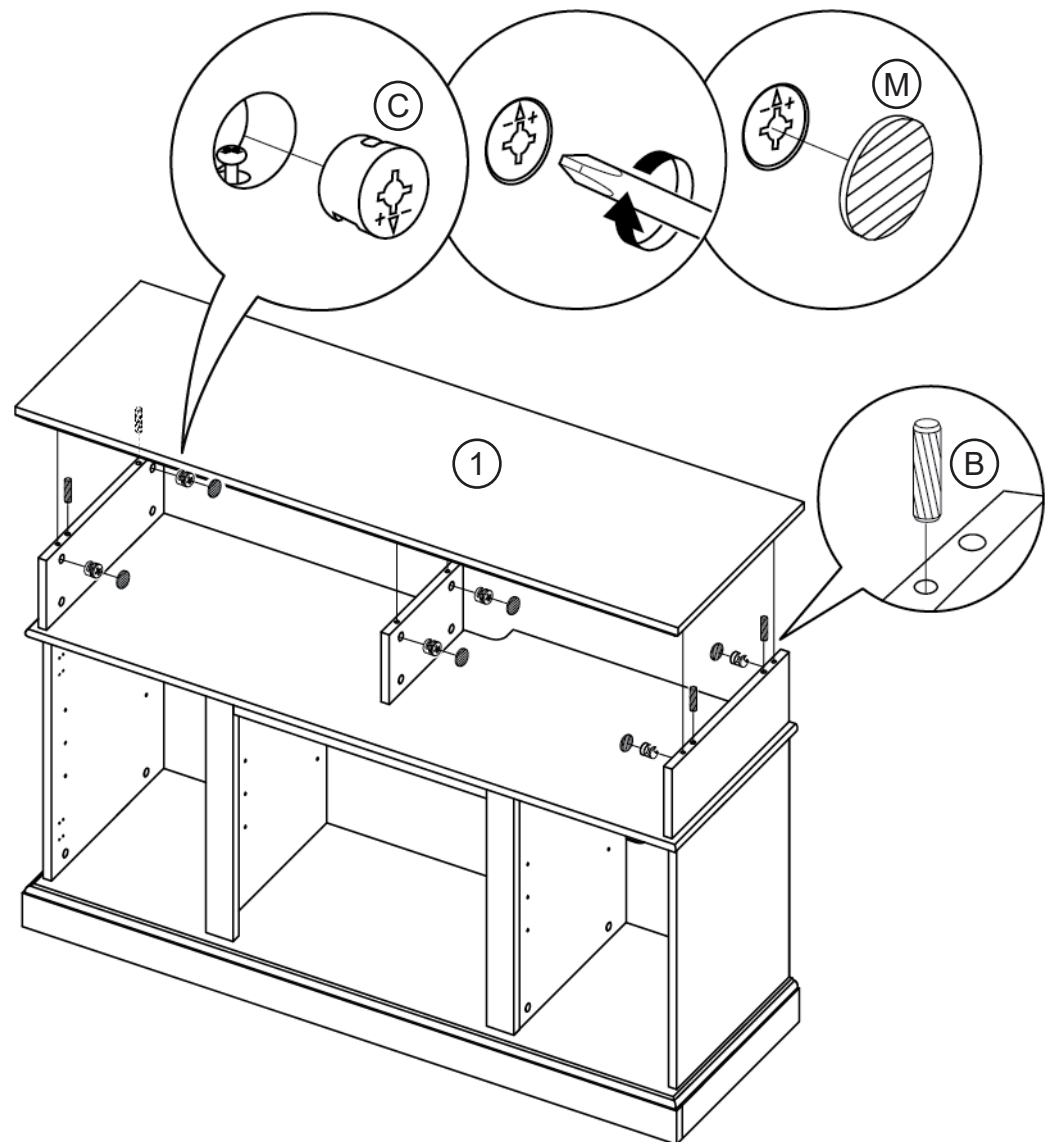
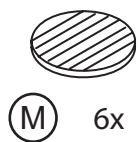
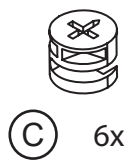
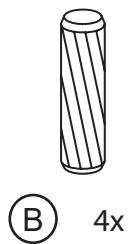
# 11

Attach cam bolts to the underside of the top panel (1).

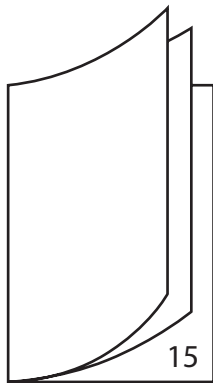
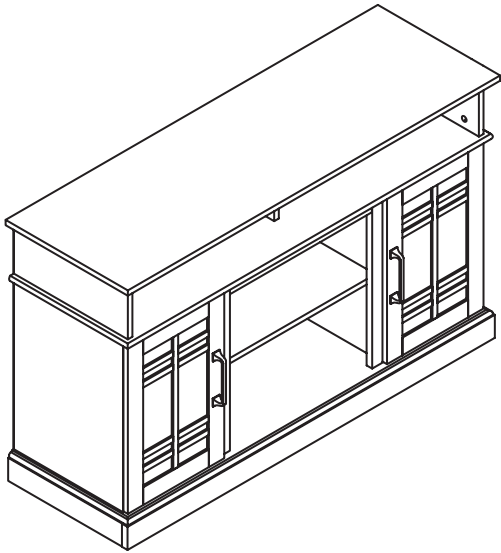


# 12

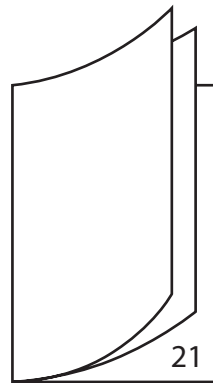
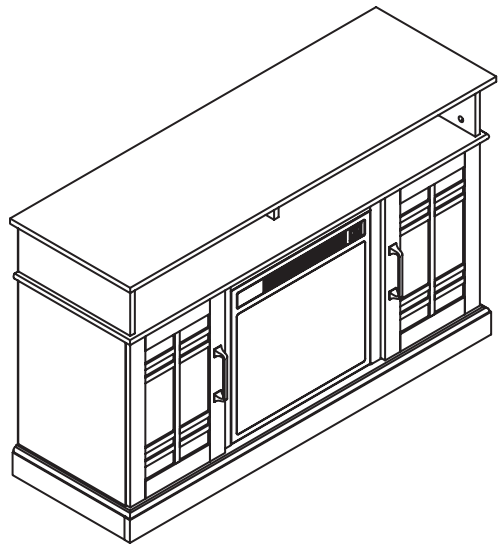
Assemble the top panel (1) onto the stand.



Option 1 (TV Stand)



Option 2 (Fireplace Mantel)



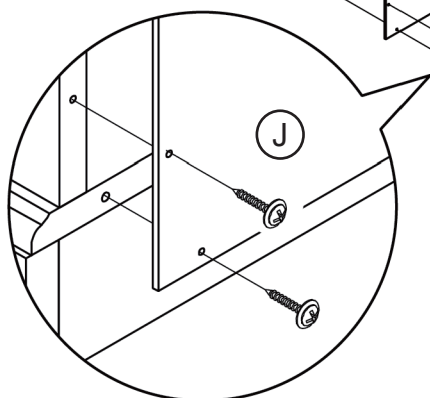
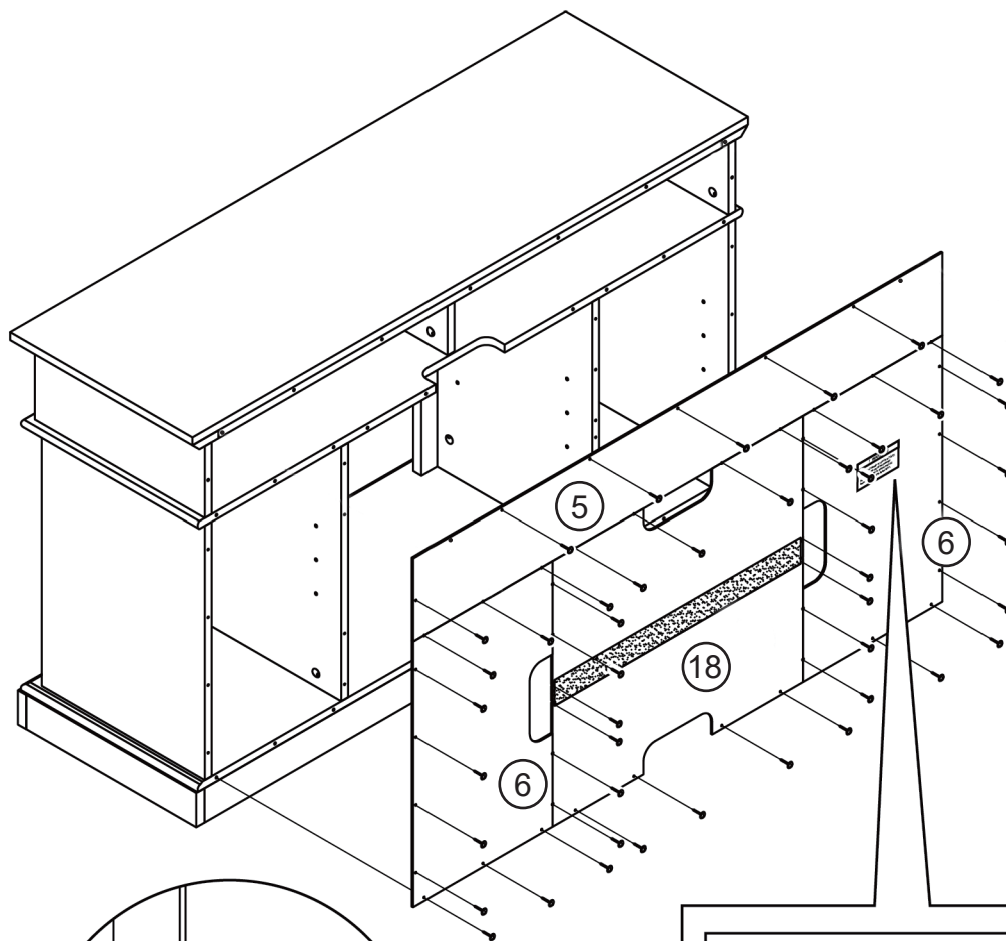
# TV STAND ASSEMBLY (OPTION 1)

# 13

Assemble back panels (5, 6, 18) to the back of the stand.



(J) 49x



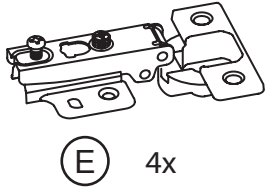
### ⚠ WARNING

● Risk of death or serious injury.  
This surface must be placed  
against a fixed in place wall at  
least as tall as the television.

Warning lable should be facing outward.

# 14

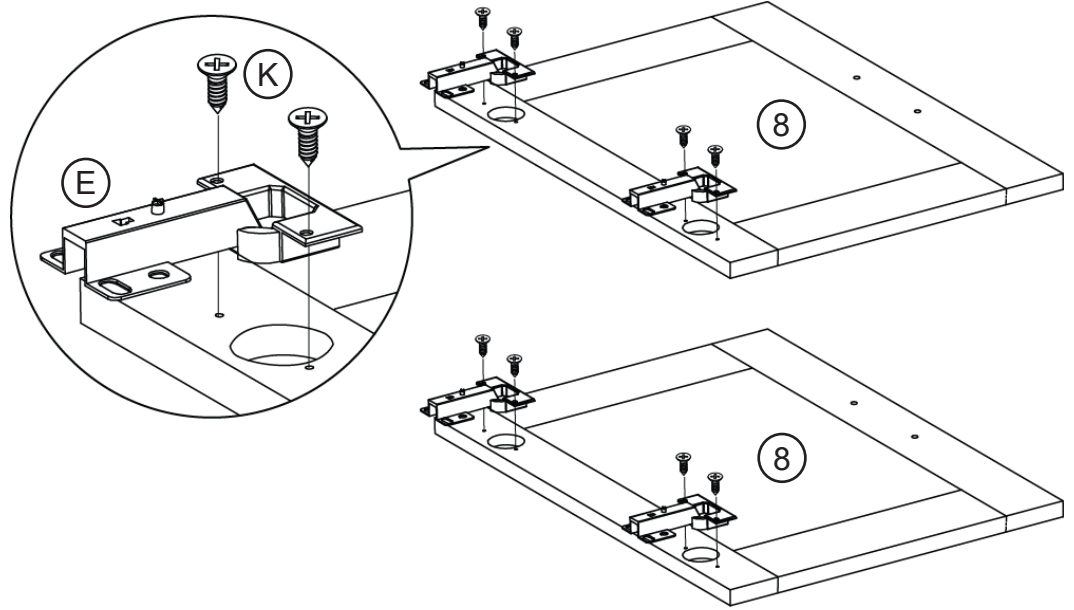
Attach door hinges to the cabinet doors (8).



(E) 4x



(K) 8x



# 15

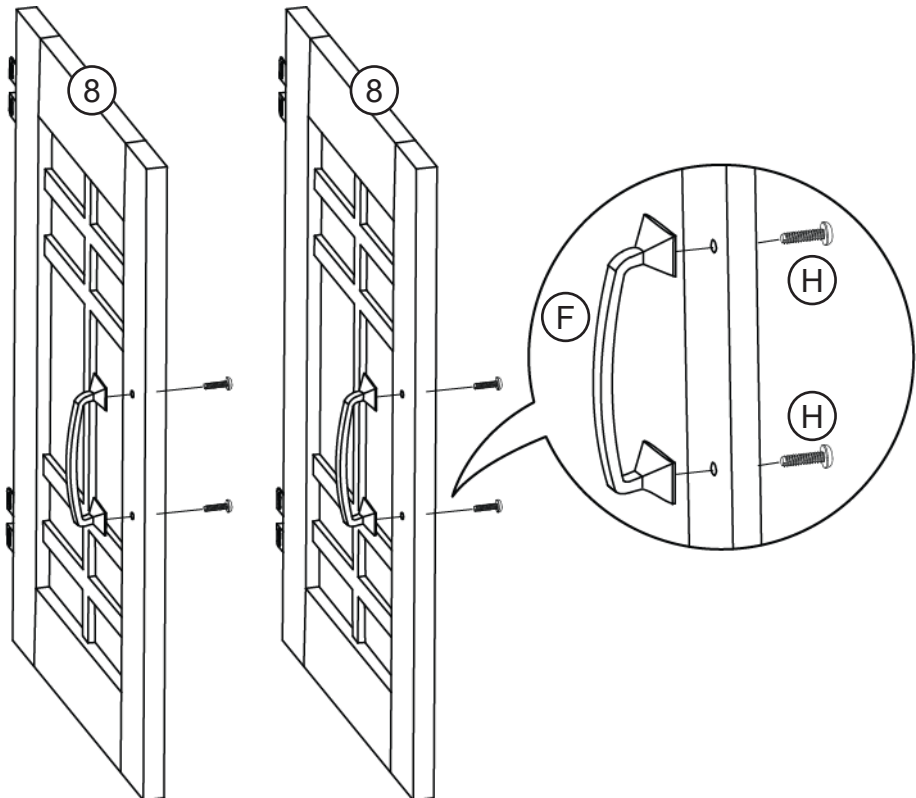
Attach door handles to the cabinet doors (8).



(F) 2x



(H) 4x

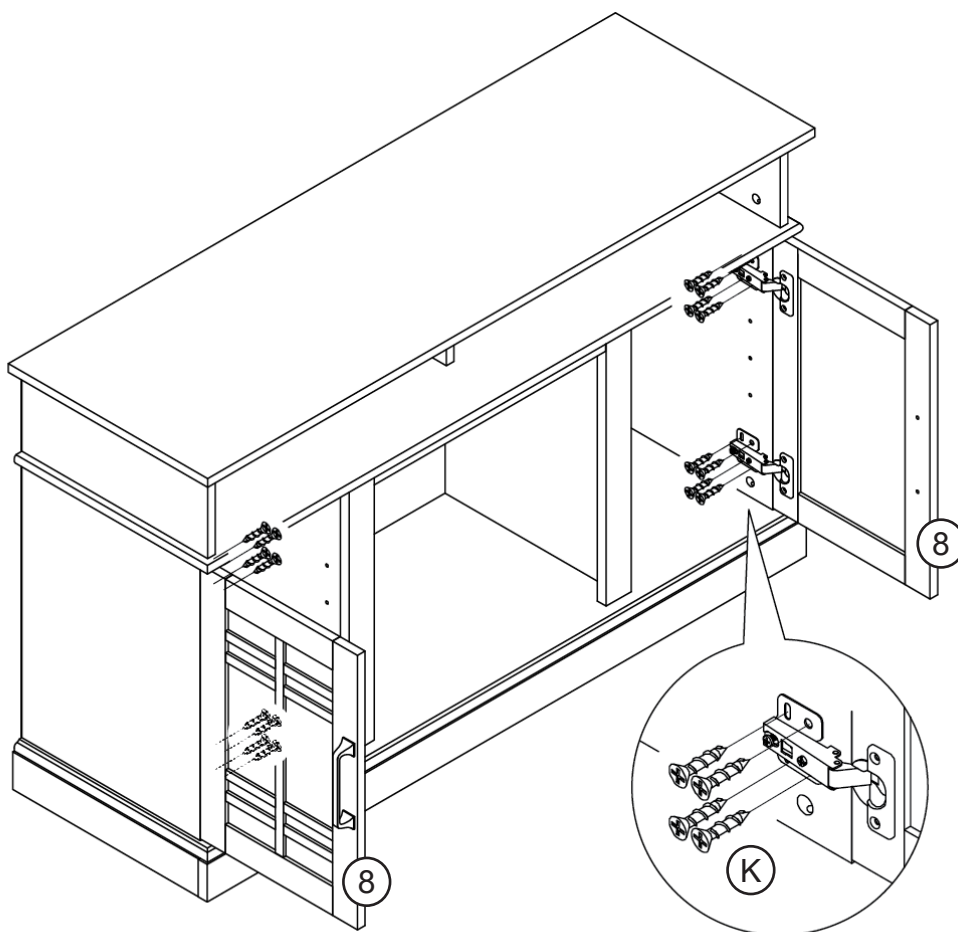


# 16

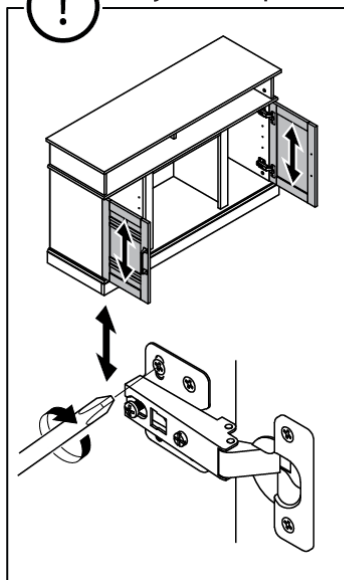
Assemble the cabinet doors to the stand.



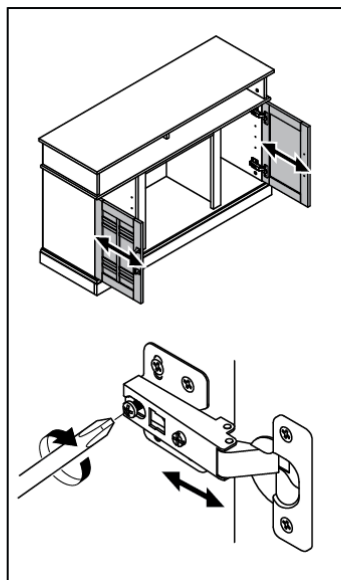
(K) 16x



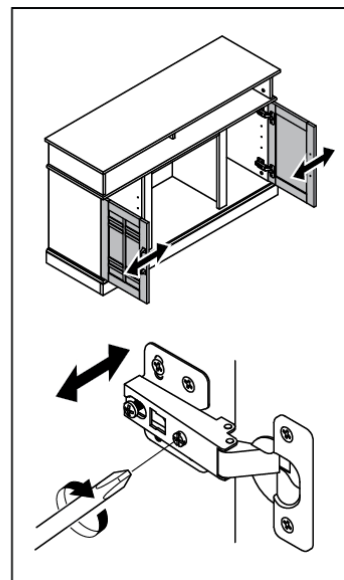
! Adjust the position of the cabinet doors.



Up and down adjustment by loosening the screws on the mounting plate.



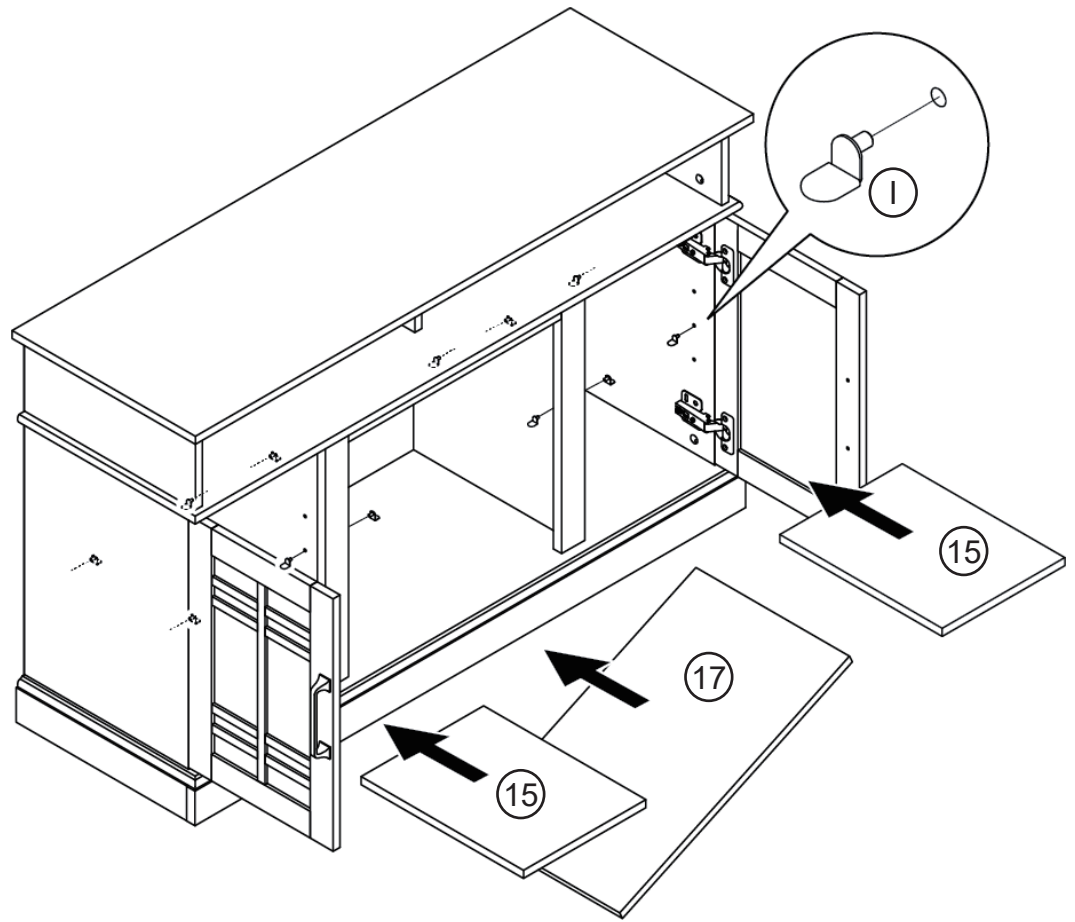
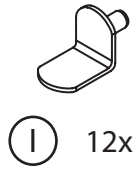
In and out adjustment by loosening the screws on the hinge arm.



Side to side adjustment using the front adjustment screw on the hinge.

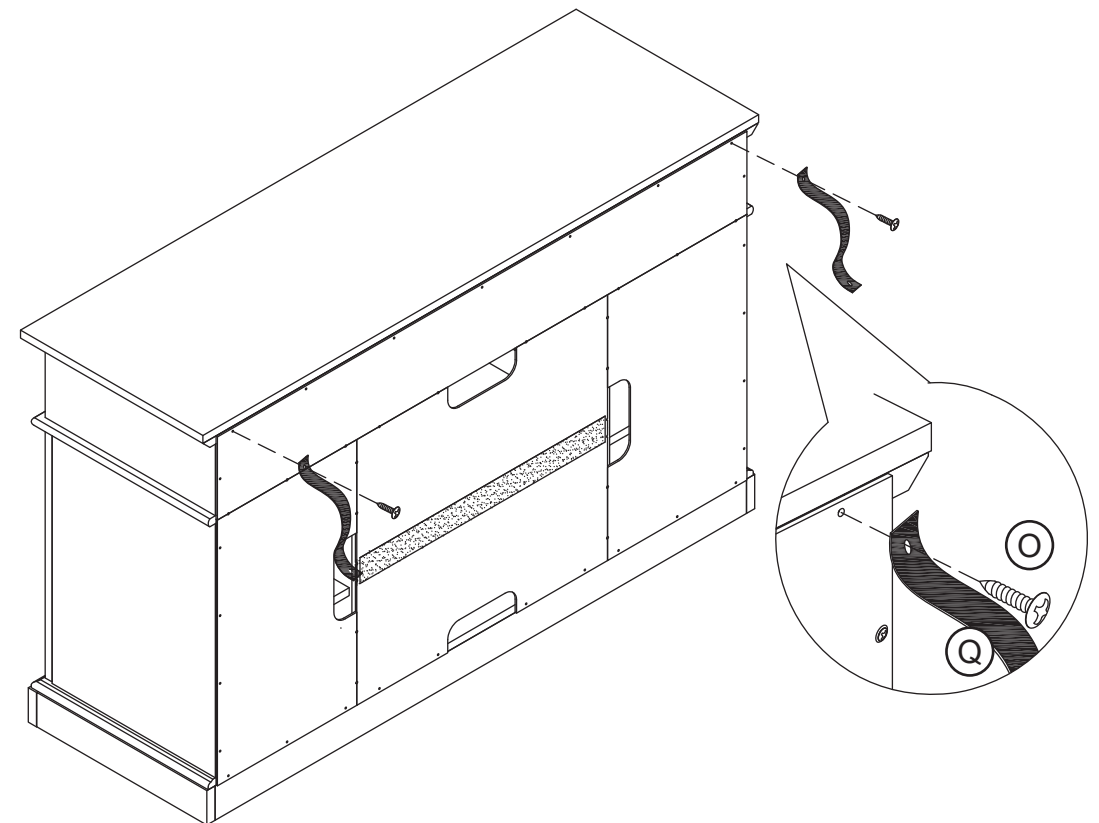
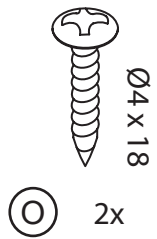
# 17

Insert shelf pegs into the stand and put on the storage panels (15, 17).



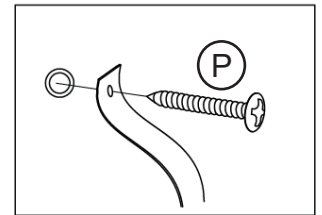
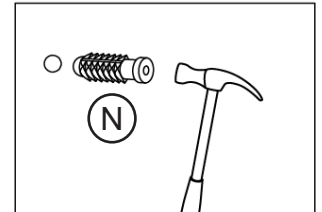
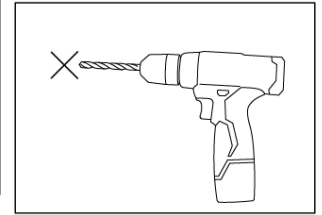
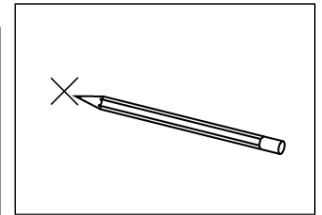
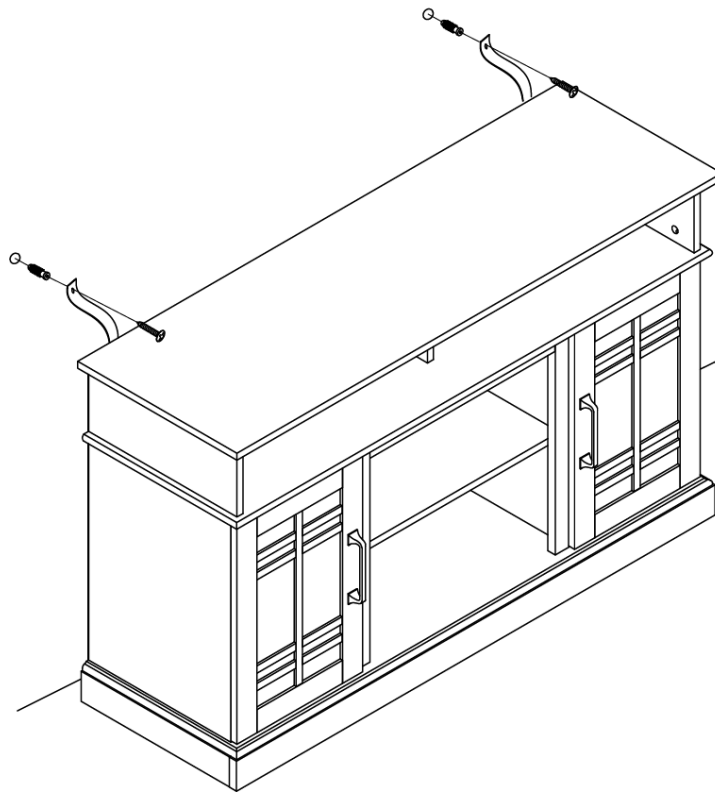
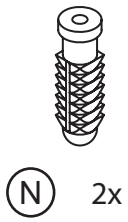
# 18

Attach anti-tipping straps to the back of the stand.



# 19

Affix the stand to a wall.

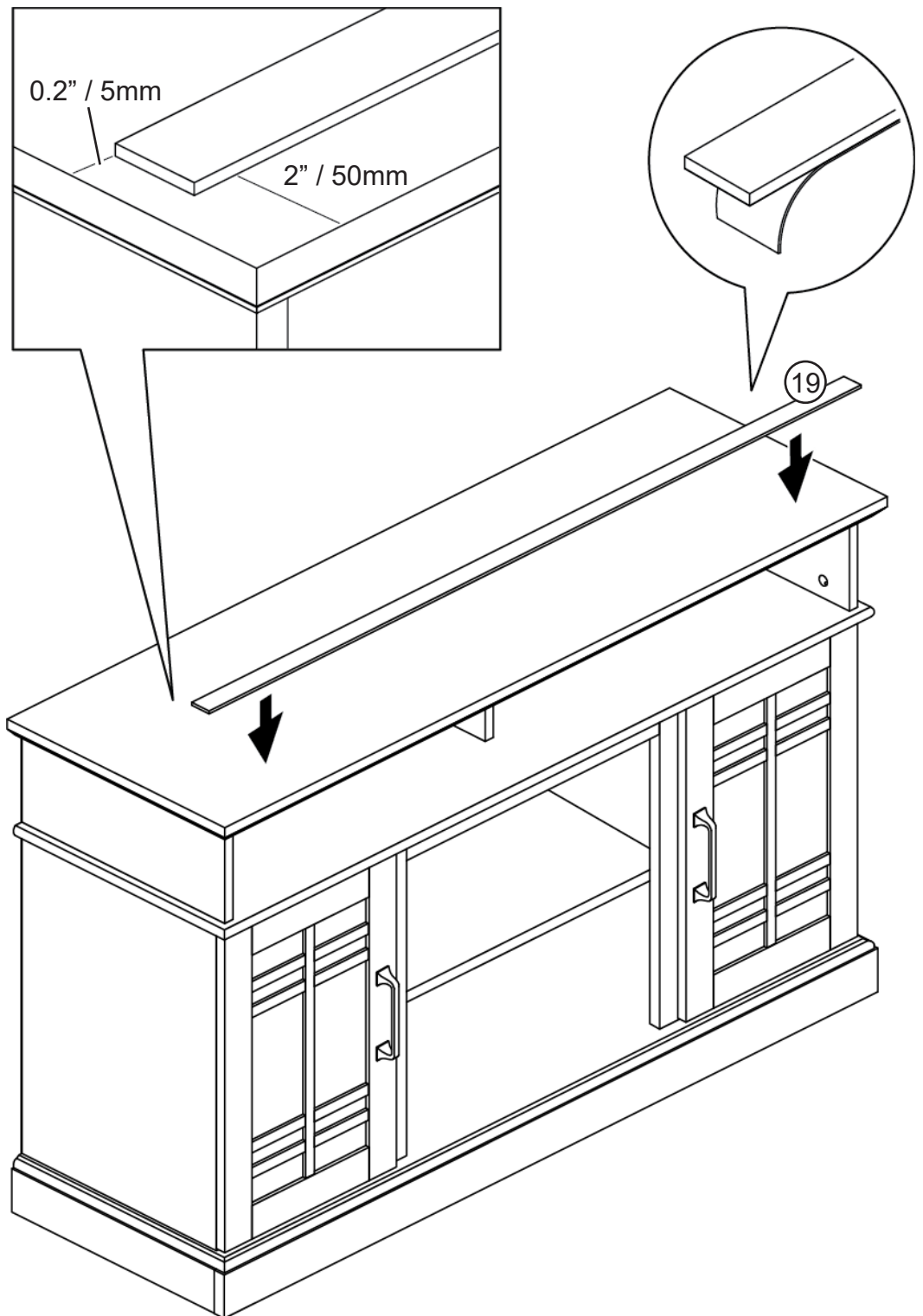


Furniture must permanently fixed to the wall stud with included anti-tipping device to prevent the furniture from tipping over.

- Mark the drill position on the wall with a pencil.
- Drill a small hole on the marked position.
- Insert a wall anchor into the drilled hole.
- Fixed the anti-tipping strap to the wall with provided screws.

# 20

Stick the wood trim on top of the TV stand.



NOTE: Put the TV behind the wood trim to prevent it from falling off.

## YOU'RE FINISHED!

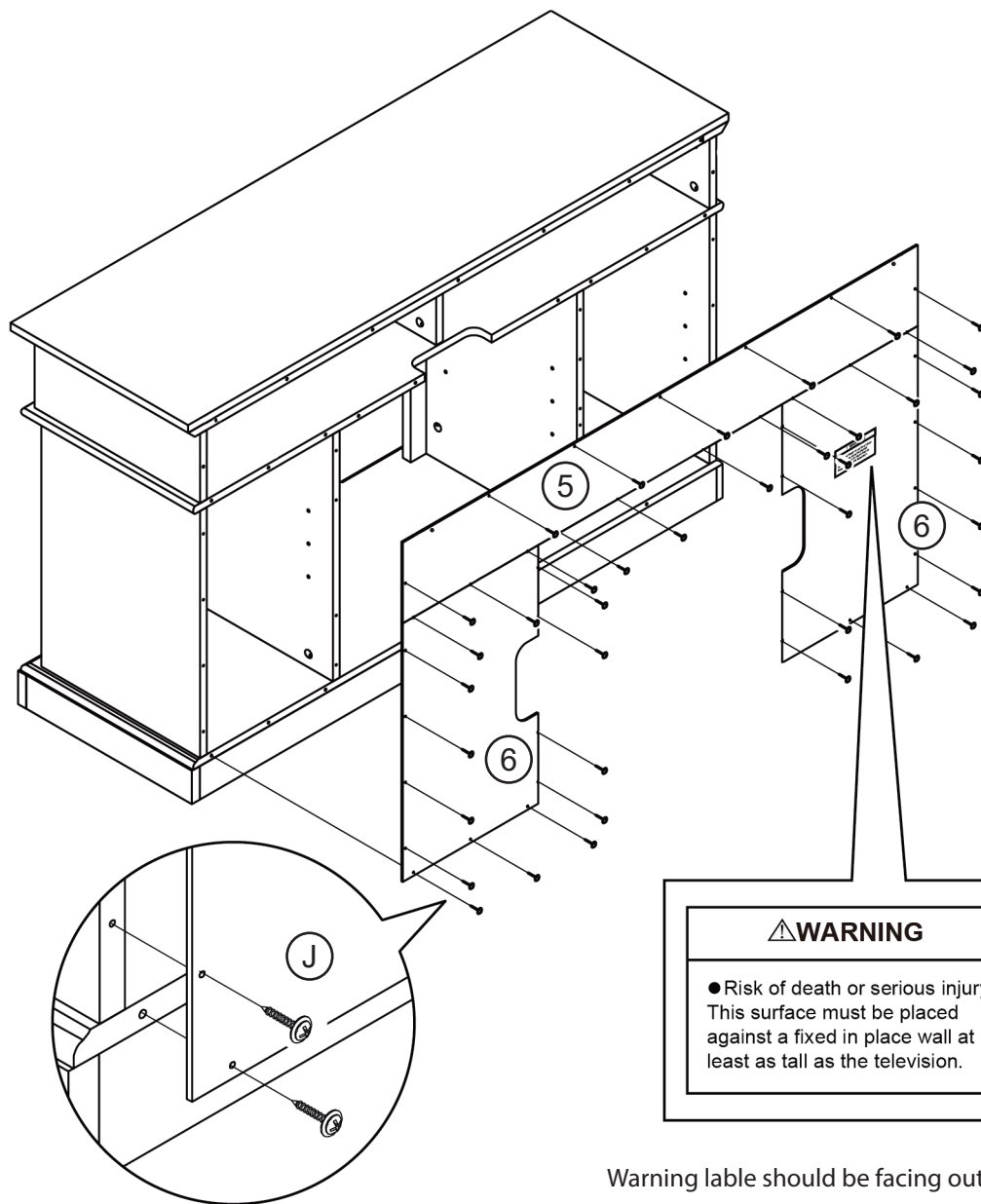
# FIREPLACE MANTEL ASSEMBLY (OPTION 2)

## 13

Assemble back panels (5, 6) to the back of the stand.



(J) 41x



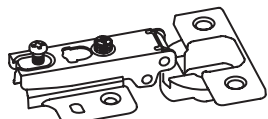
### **⚠ WARNING**

- Risk of death or serious injury. This surface must be placed against a fixed in place wall at least as tall as the television.

Warning lable should be facing outward.

# 14

Attach door hinges to the cabinet doors (8).

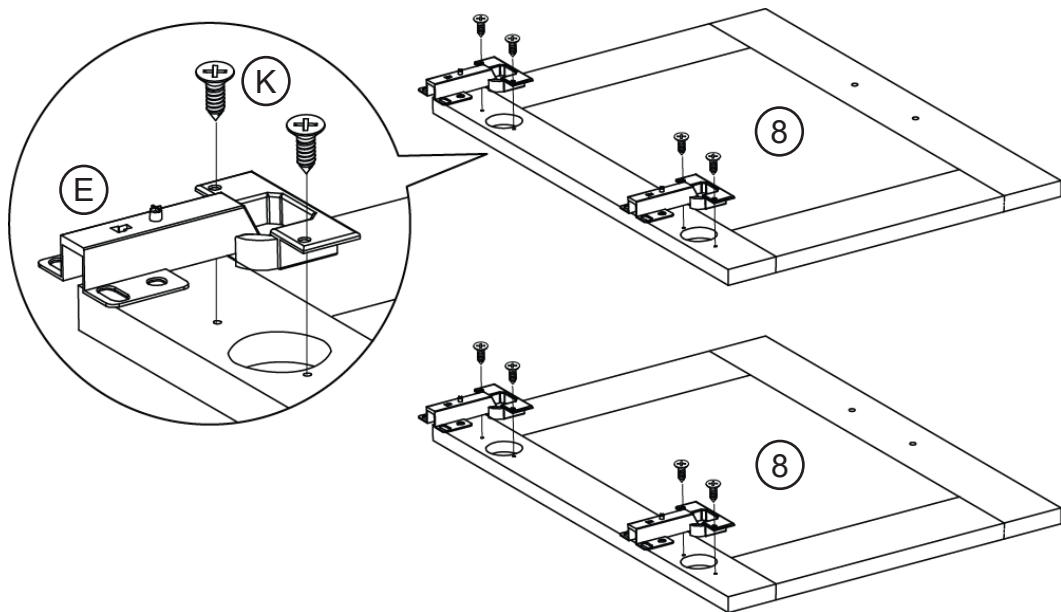


(E) 4x



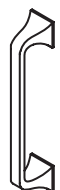
Ø3.9 x 15

(K) 8x



# 15

Attach door handles to the cabinet doors (8).

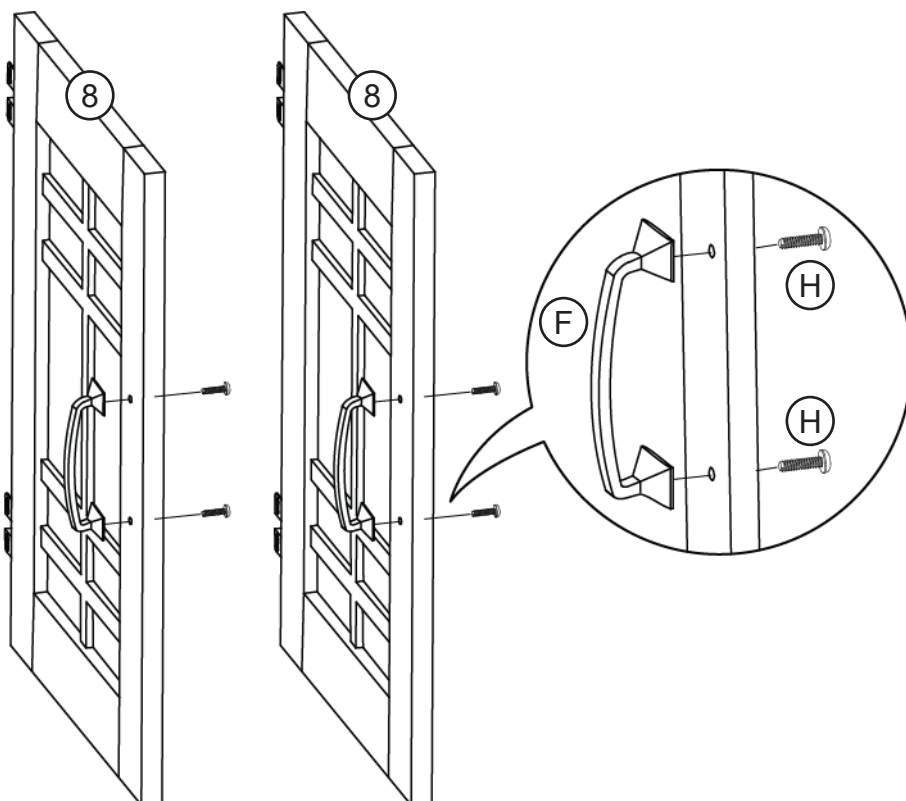


(F) 2x



5/32" x 19

(H) 4x

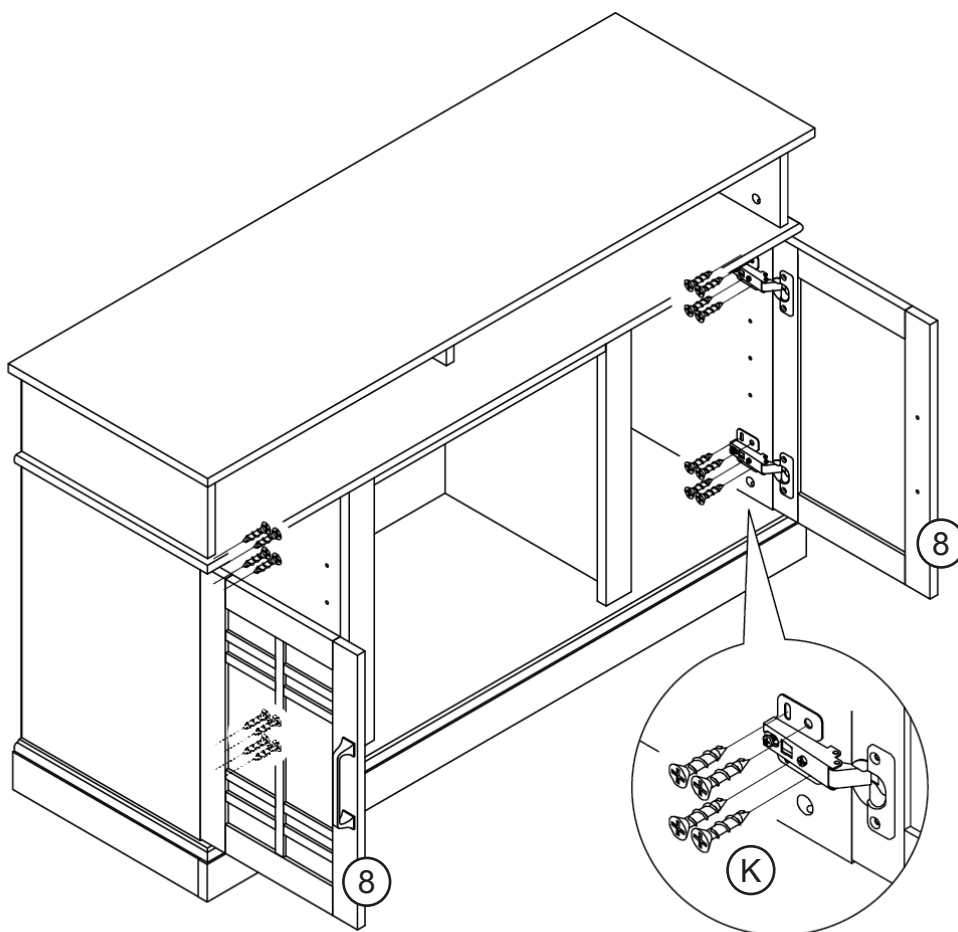


# 16

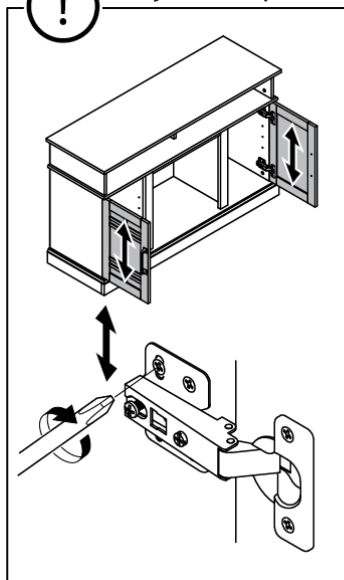
Assemble the cabinet doors to the stand.



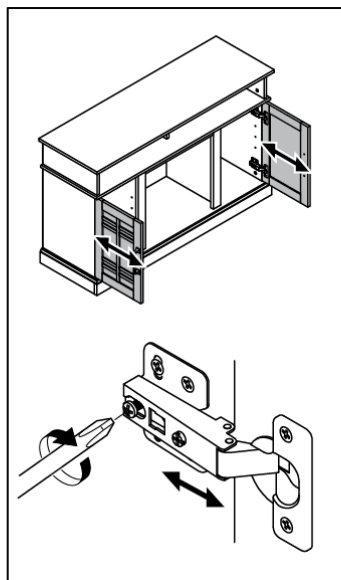
(K) 16x



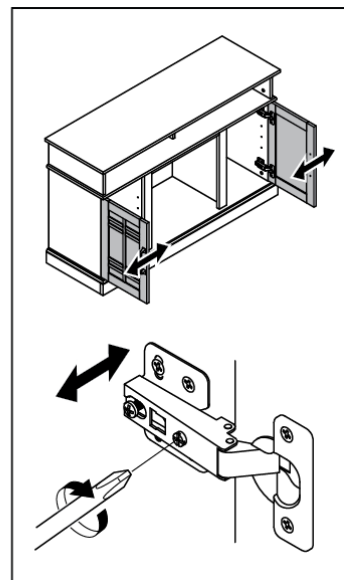
! Adjust the position of the cabinet doors.



Up and down adjustment by loosening the screws on the mounting plate.



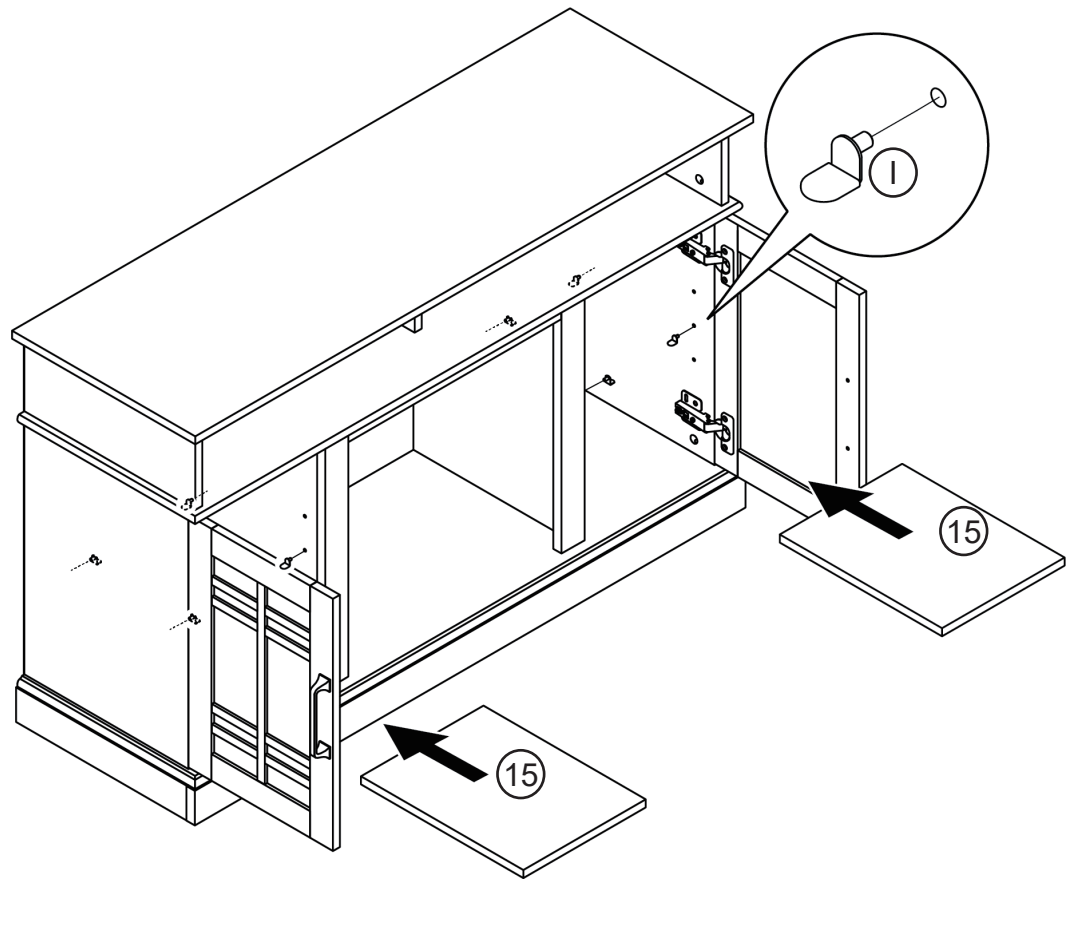
In and out adjustment by loosening the screws on the hinge arm.



Side to side adjustment using the front adjustment screw on the hinge.

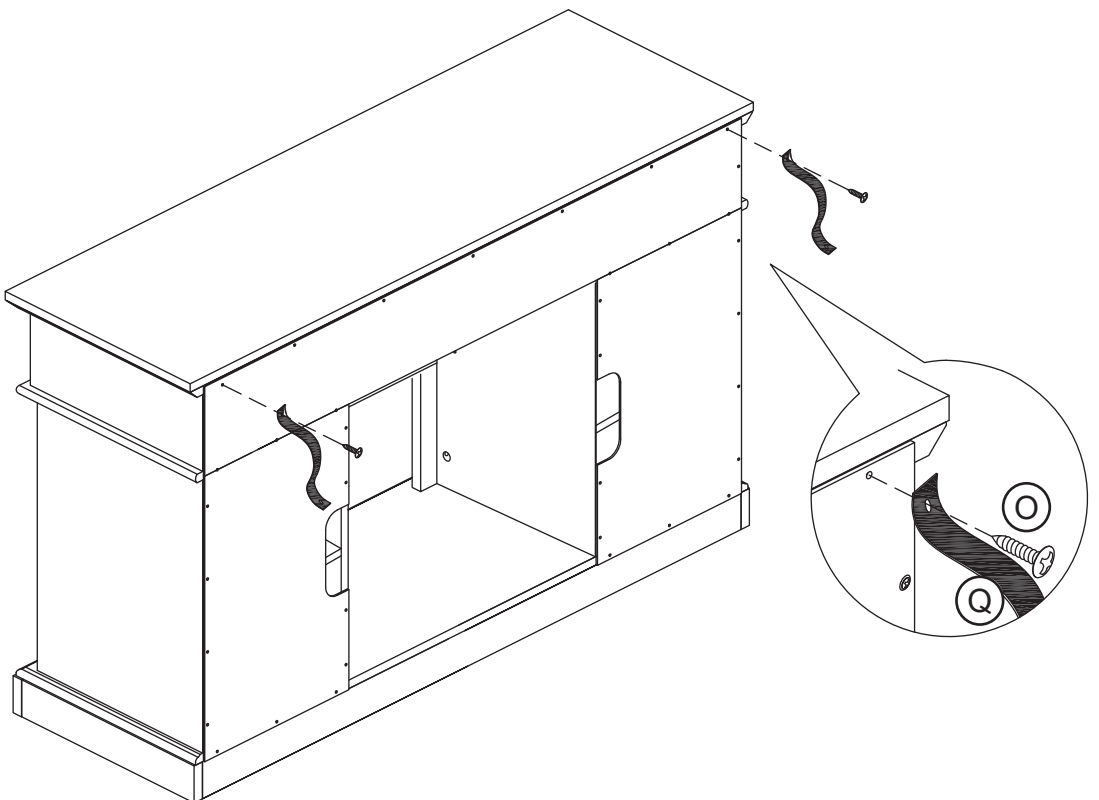
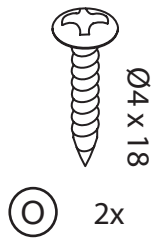
# 17

Insert shelf pegs into the stand and put on the storage panels (15).



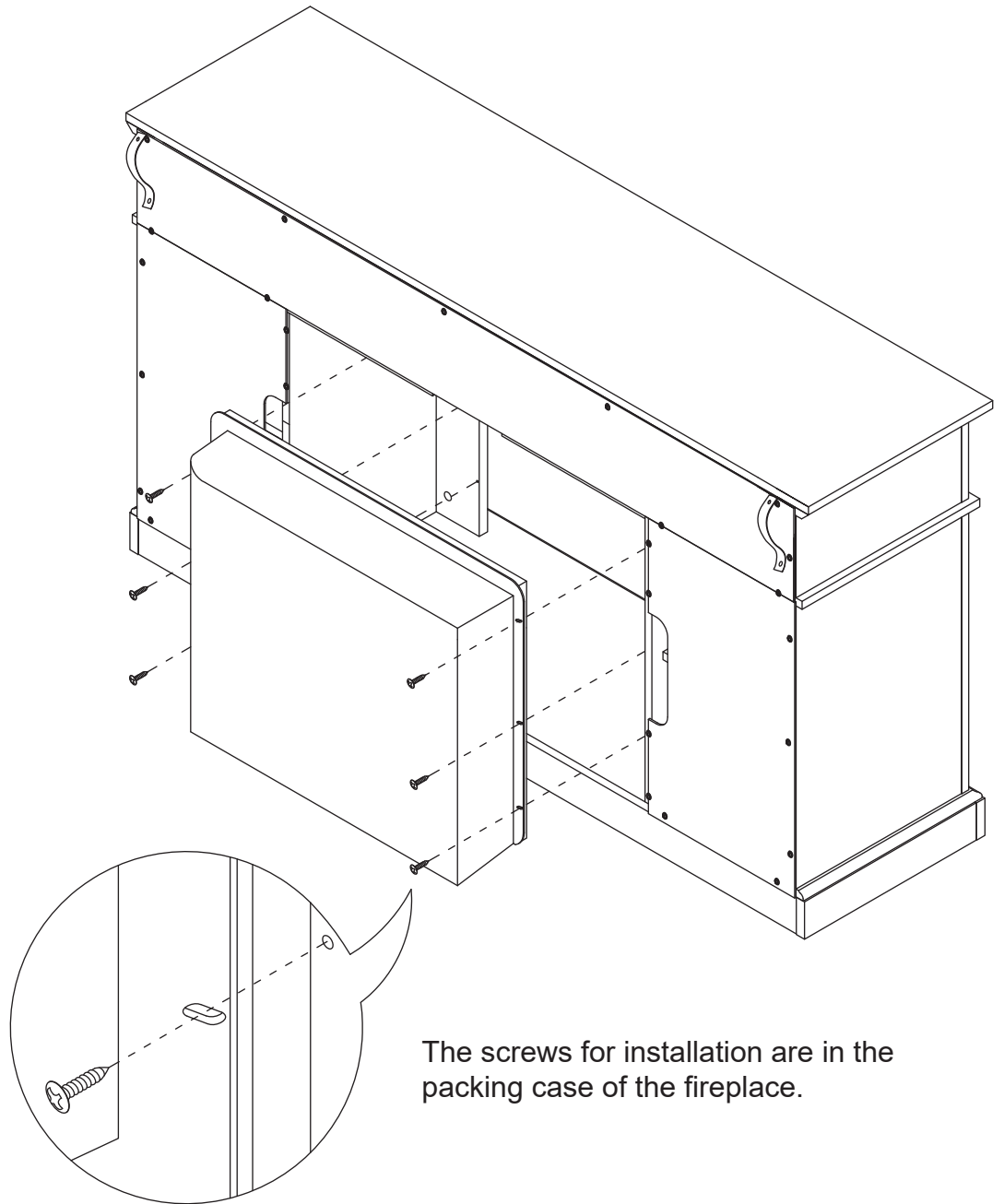
# 18

Attach anti-tipping straps to the back of the stand.



# 19

Install fireplace inside the fireplace mantel.



The screws for installation are in the packing case of the fireplace.

Set the unit from the back of the fireplace mantel and center it in the opening. Check the alignment and attach the unit to the mantel by inserting screws through the drilled holes on the mantel.

For the exact instruction, please refer to the user's manual provided with the fireplace.

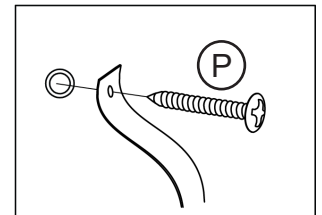
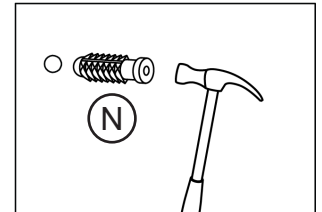
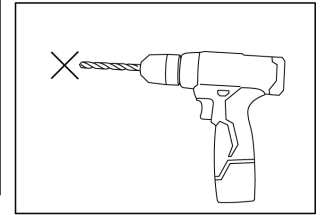
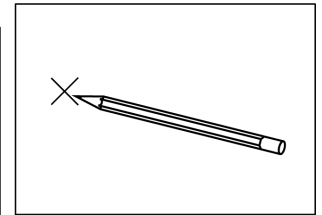
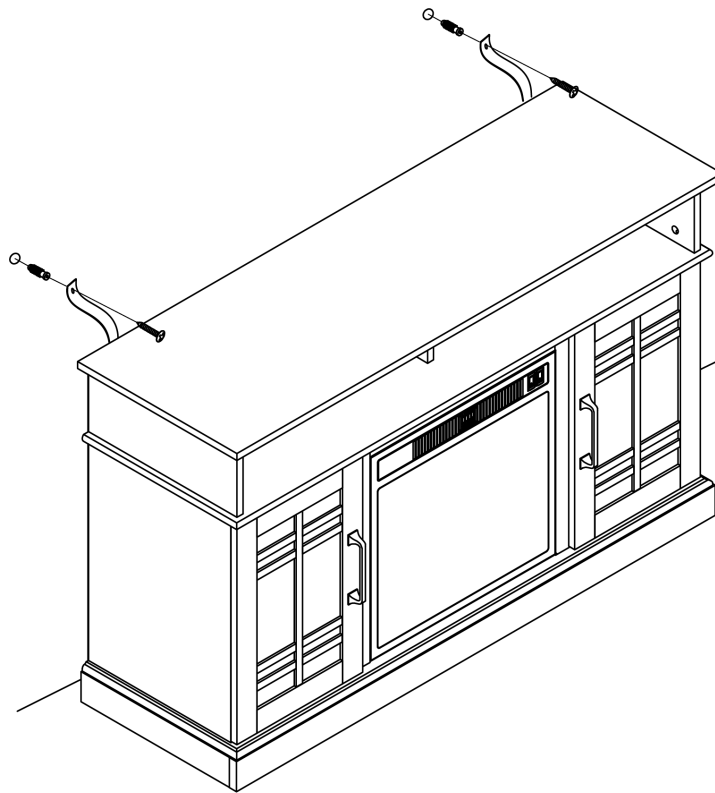
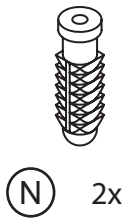
**NOTE:** Do not attempt to install the unit from the front of the mantel. It will not fit.

**⚠ CAUTION:**

The heater has a glass front panel. Careful when handling glass to prevent injury or damage.

# 20

Affix the stand to a wall.

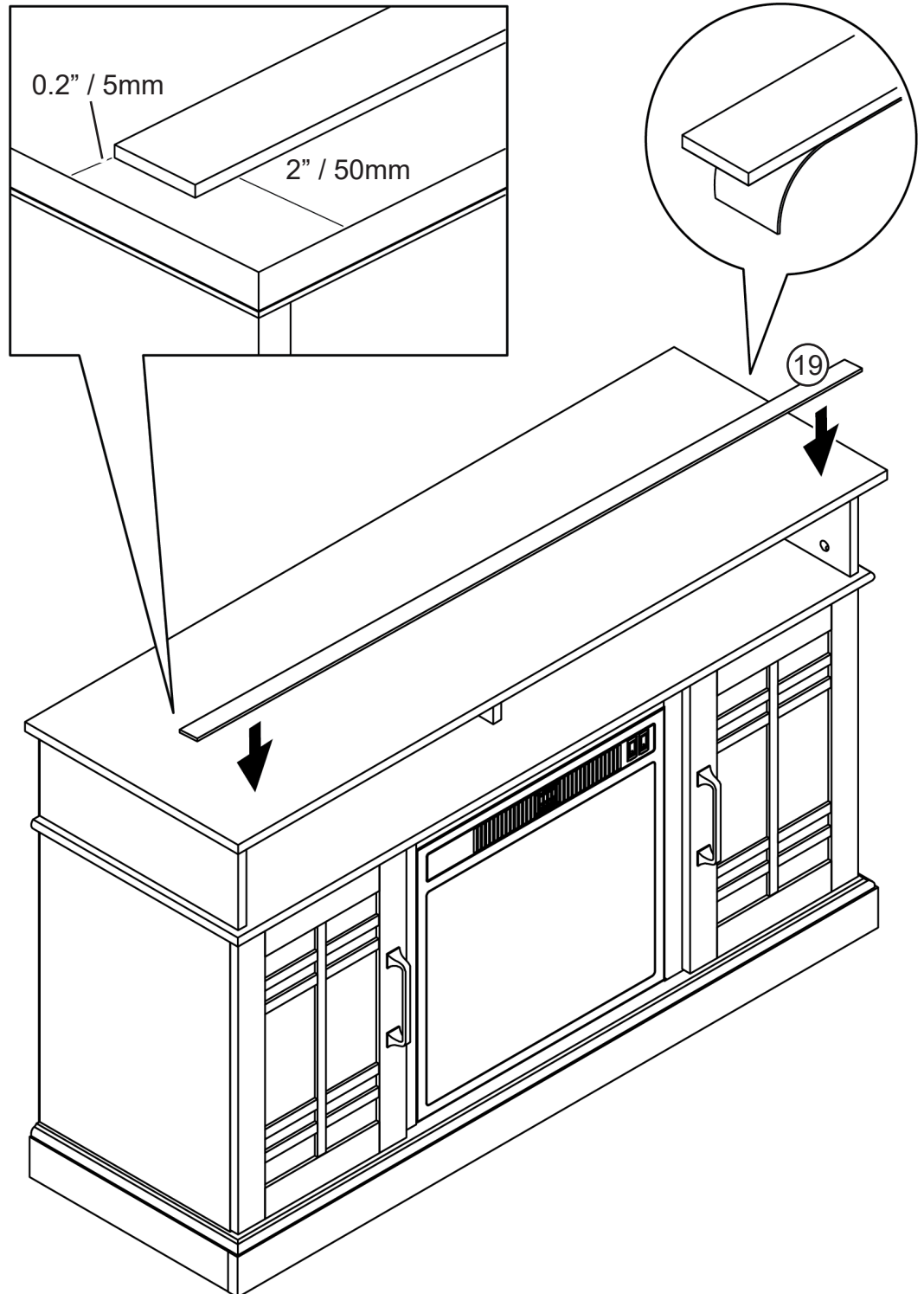


Furniture must permanently fixed to the wall stud with included anti-tipping device to prevent the furniture from tipping over.

- Mark the drill position on the wall with a pencil.
- Drill a small hole on the marked position.
- Insert a wall anchor into the drilled hole.
- Fixed the anti-tipping strap to the wall with provided screws.

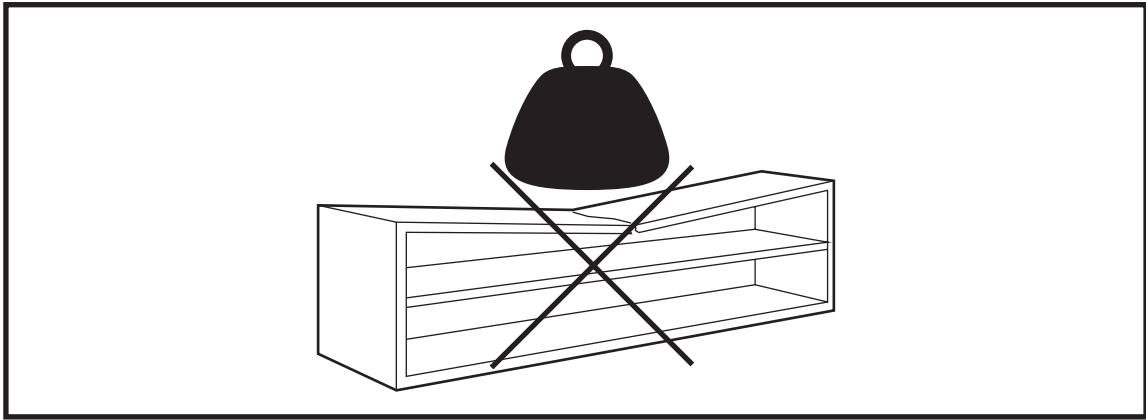
# 21

Stick the wood trim on top of the TV stand.



NOTE: Put the TV behind the wood trim to prevent it from falling off.

## YOU'RE FINISHED!

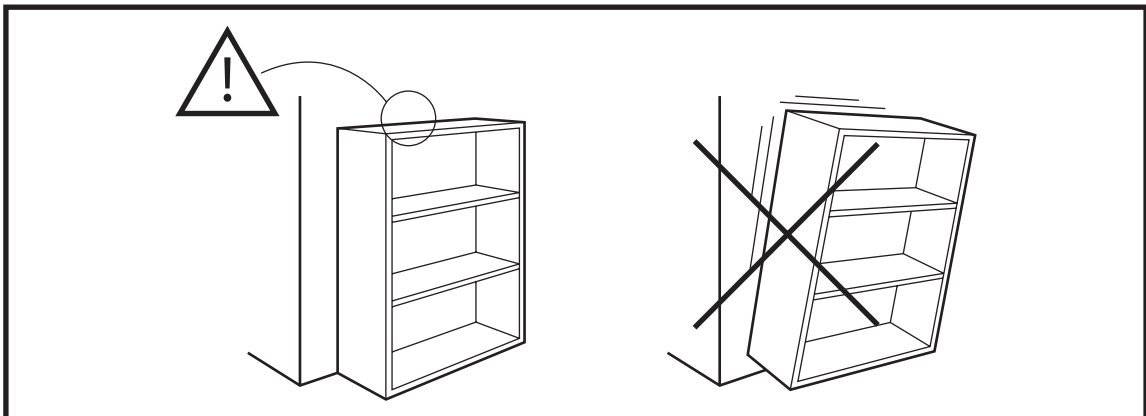


## Warning

Only place items on top of the product if they meet the recommended size and weight limits.

Climbing on, stepping on, or placing overweighted objects on the product may cause property damage and/or injuries.

Items placed onto this product must be resting on a support surface without hanging over the edges.



## Warning

Serious or fatal crushing injuries may occur if the furniture tip-over. Furniture must permanently affixed to the wall with included anti-tipping device in order to prevent the furniture from tipping over.

Different wall materials requires different types of wall anchors or screws. Use a suitable wall anchors or screws for your specific wall in order to secure the stability and load bearing capacity of the furniture. If you are uncertain about which type of device to use, please contact us or your local hardware store.

## WARNING

For use with televisions weighing 70lbs (31.75kg) or less. Use with heavier televisions may result in instability, causing tip over resulting in death or serious injury.

Death or serious injury may occur when children climb on audio and/or video equipment furniture. A remote control or toys placed on the furnishing may encourage a child to climb on the furnishing and as a result the furnishing may tip over on to the child.

Relocating audio and/or video equipment to furniture not specifically designed to support audio and/or video equipment may result in death or serious injury due to the furnishing collapsing or over turning onto a child.

## NOTICE

The recommended maximum width of the TV is 50 inches. Do not exceed the maximum load capacity.

This product is designed for flat panel TVs only.

# BELLEZE®

## FURNITURE CARE AND MAINTENANCE

Medium - Density Fiberboard

Thank you for your purchase. We want your item to last as long as possible. To ensure the product gives you years of longevity, please follow the recommendations in this care and maintenance guide.



### MAINTENANCE

- Tighten all bolts and screws again within the first 2 weeks of assembly.
- Check the tightness of all bolts every 2 months and tighten them if necessary.



### CLEANING

- Clean the surface of the MDF (medium - density fiberboard) with a lightly dampened cloth.
- A small amount of mild soap can be used if necessary.
- Dry the surface immediately after cleaning.

- ⚠ DO NOT use bleach or alcohol to clean the surface.
- ⚠ DO NOT apply wood treatment on parts made with MDF.

MDF will swell and distort when exposed to water damage. Make sure to dry the furniture immediately after cleaning.

### ⚠ WARNING

The manufacturer and seller are not responsible for any and all liability relating to personal injury, property damage or losses, whether direct, indirect, or incidental, resulting from the incorrect attachment, improper use, inadequate maintenance, unapproved modification or neglect of this product.

© All copyright of this document belongs to BELLEZE .  
This document may not be printed, translated, reproduced, or distributed in whole or in part without written permission from BELLEZE.

# WARRANTY

BELLEZE products come with a 1-year warranty from the date of delivery.  
**Register your product on our website to enjoy our limited lifetime warranty!**



## AFTER-SALE SERVICE



Encounter any difficulties or missing parts?



Contact us at **1-800-682-6376** or email us at **support@belleze.com**



We will send you replacement.



Hassle free!  
No need to worry about repackaging and sending your item back.

**We hope you enjoy your new BELLEZE furniture!**  
**Share your photos on Instagram and tag us: @bellezefurniture.**

**FOLLOW US:**



@bellezefurniture

**CONTACT INFO:**

support@belleze.com  
1-800-682-6376

**BELLEZE®**