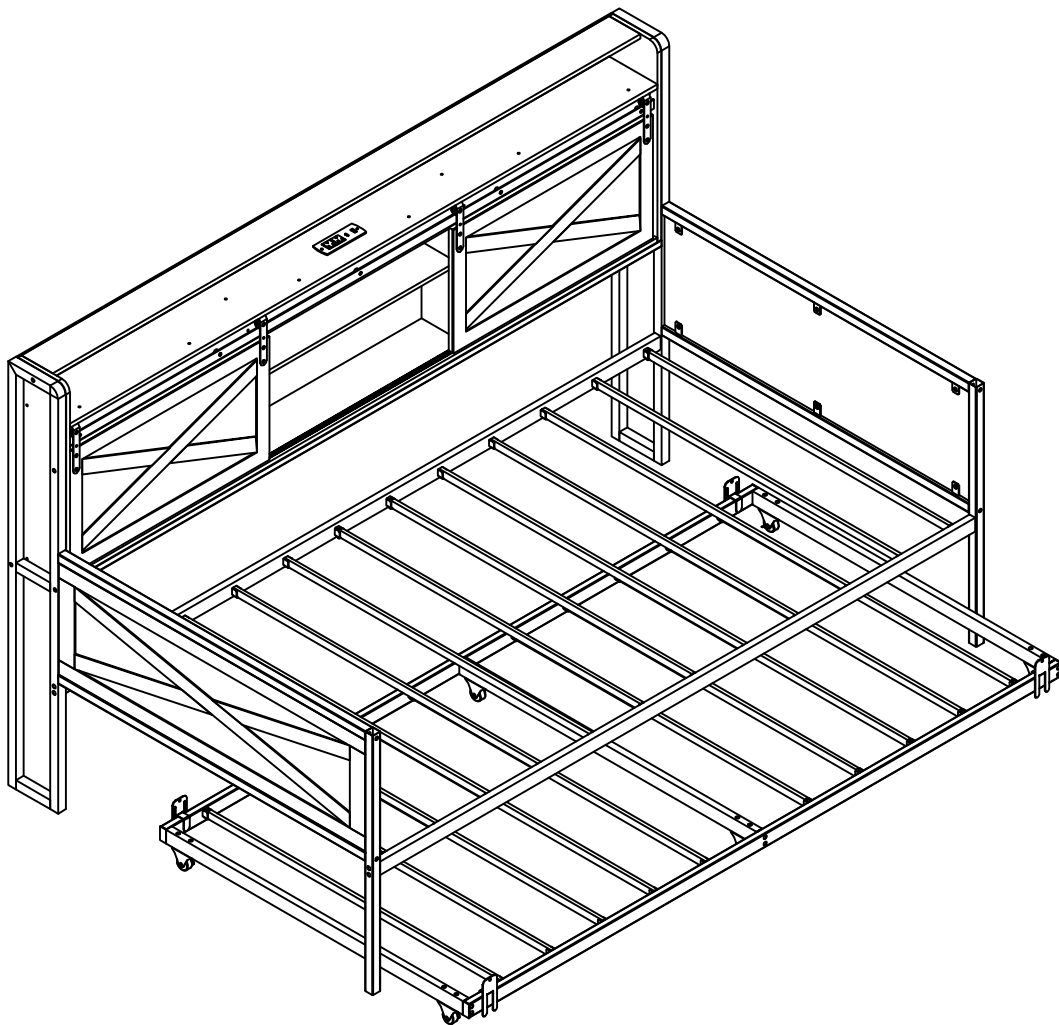


# ASSEMBLY INSTRUCTIONS

---

## Metal Storage Bed Frame Assembly Instructions

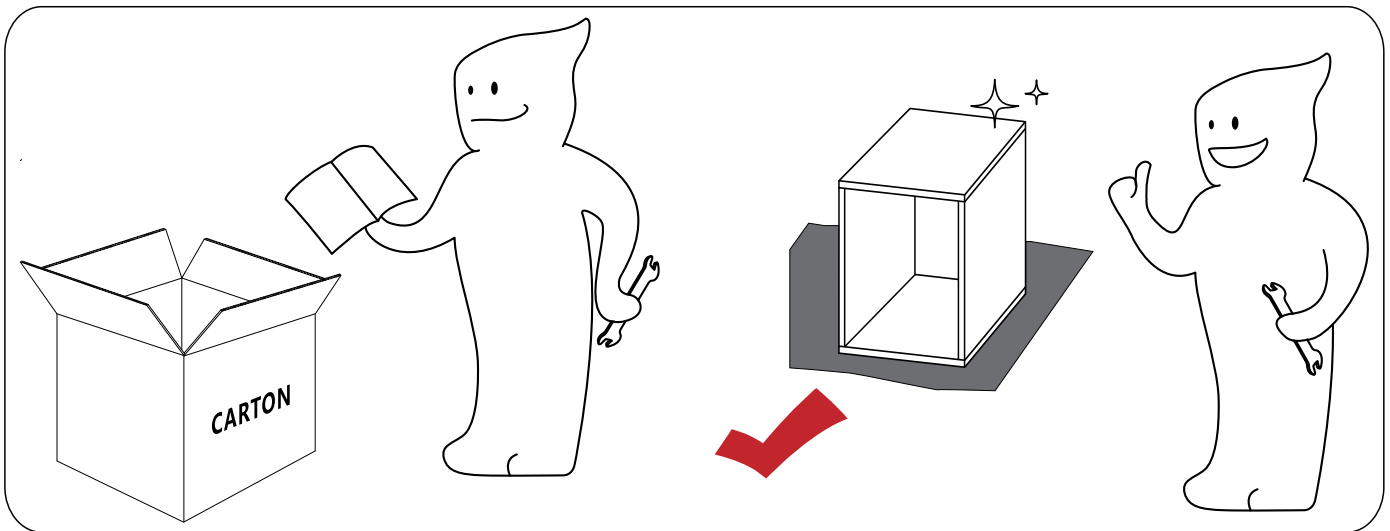
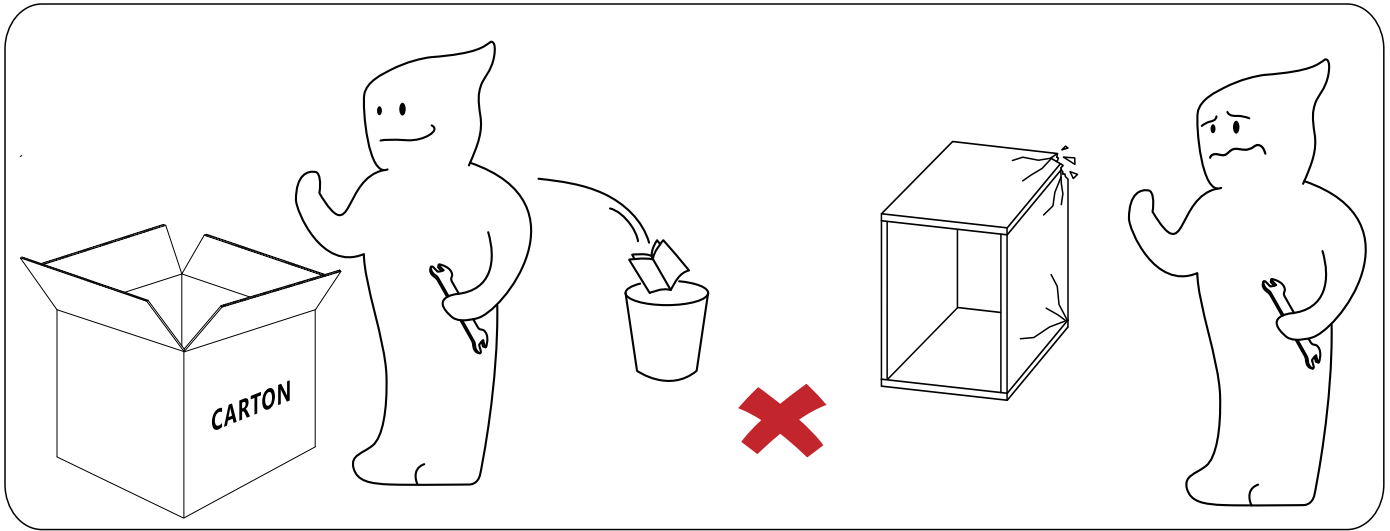


### **Dear Customers,**

Thank you for purchasing our product. Please read this instruction manual carefully after receiving this product. It will help you assemble this product quickly, safely and correctly. You can keep this manual for future reference.  
**MADE IN CHINA**

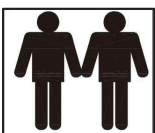
## ! IMPORTANT

Please follow the instruction manuals and use a pad to protect the product during your assembly.



### Note:

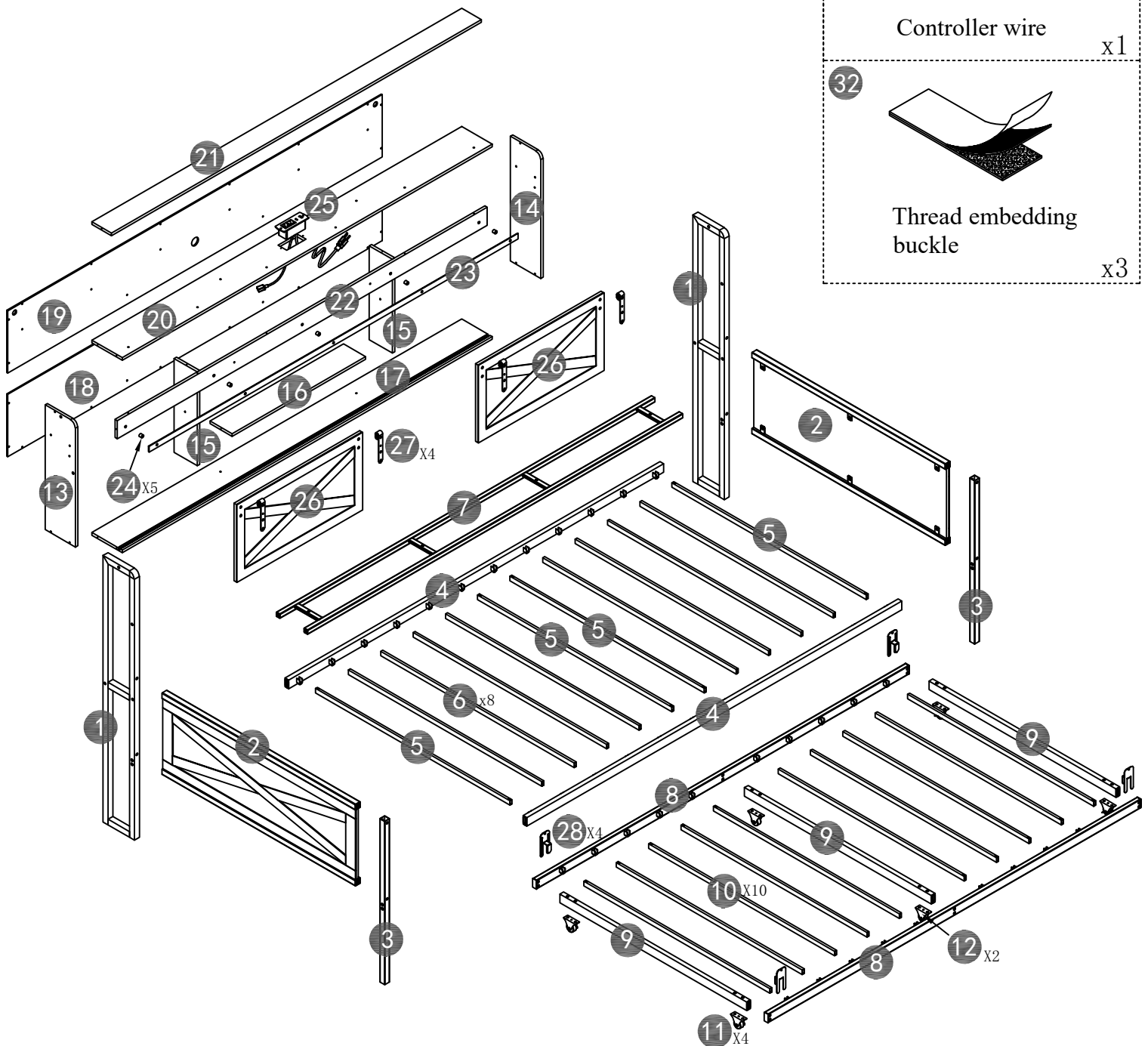
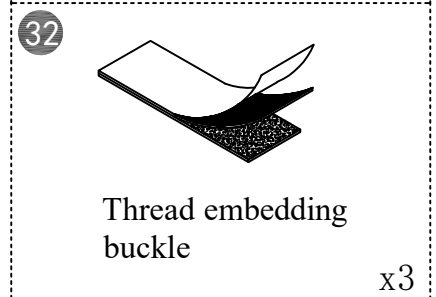
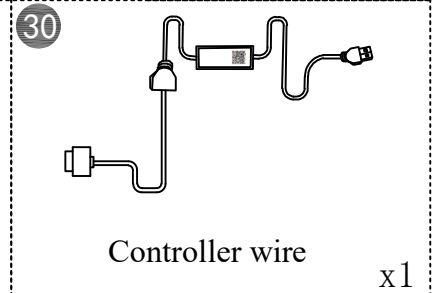
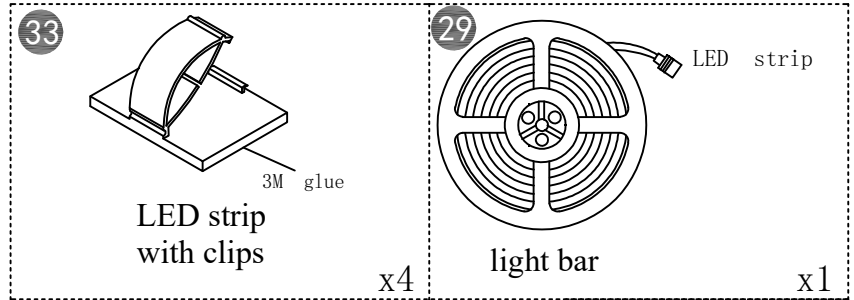
1. Should be assembled on flat ground to keep balance.
2. Before completing the installation, do not tighten the screws.



For easier and better assembly, **2** or more adults are required.


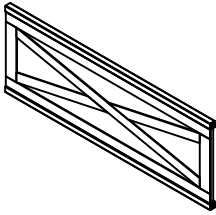

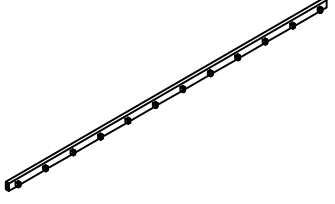
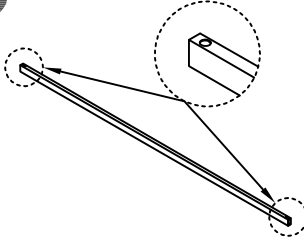
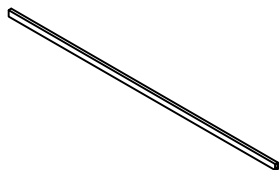
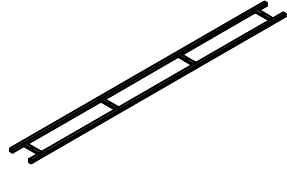
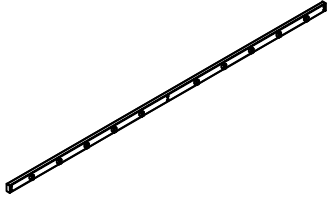
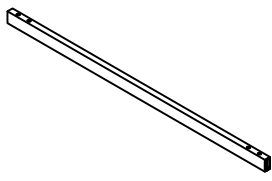
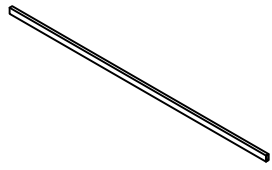
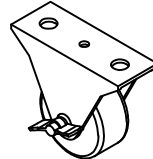
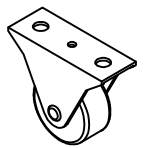



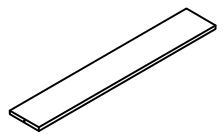
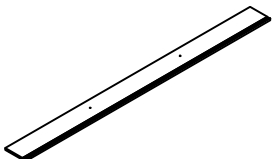
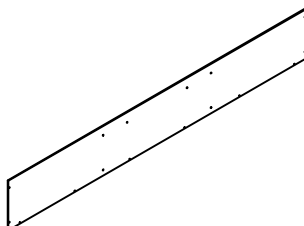
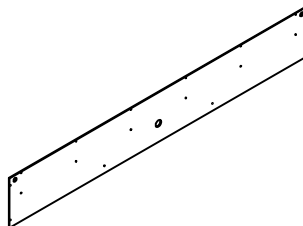
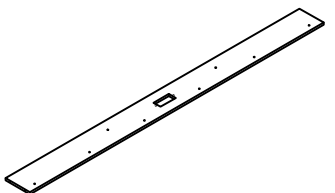
# ASSEMBLY INSTRUCTIONS

DIY LED



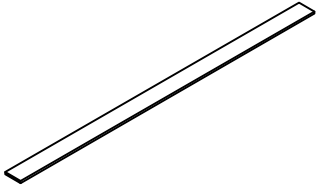
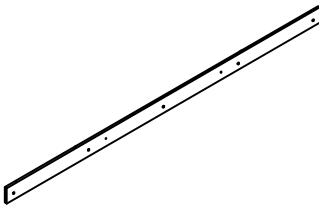
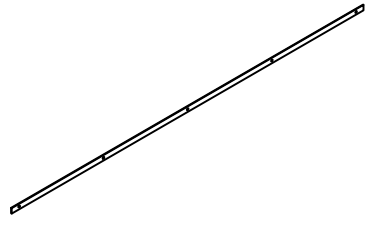

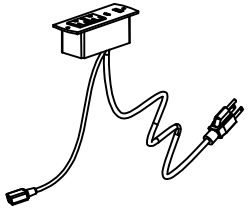
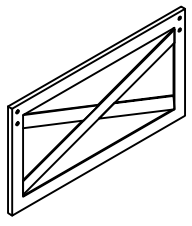
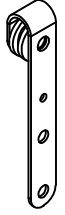
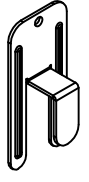
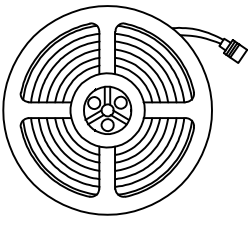
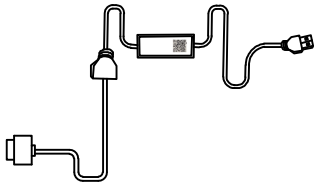
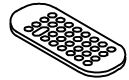
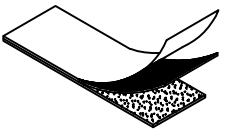
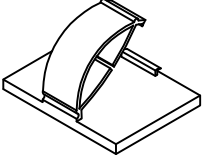
# ASSEMBLY INSTRUCTIONS

## PARTS LIST

 <p>1</p>	 <p>2</p>	 <p>3</p>	 <p>4</p>
2PCS	2PCS	2PCS	2PCS
 <p>5</p>	 <p>6</p>	 <p>7</p>	 <p>8</p>
4PCS	8PCS	1PC	2PCS
 <p>9</p>	 <p>10</p>	 <p>11</p>	 <p>12</p>
3PCS	10PCS	4PCS	2PCS
 <p>13</p>	 <p>14</p>	 <p>15</p>	 <p>16</p>
1PC	1PC	2PCS	1PC
 <p>17</p>	 <p>18</p>	 <p>19</p>	 <p>20</p>
1PC	1PC	1PC	1PC



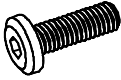
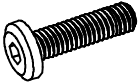
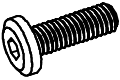
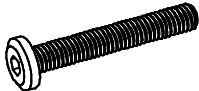





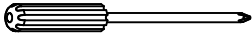


# ASSEMBLY INSTRUCTIONS

## PARTS LIST

 <p>21</p> <p>1PC</p>	 <p>22</p> <p>1PC</p>	 <p>23</p> <p>1PC</p>	 <p>24</p> <p>5PCS</p>
 <p>25</p> <p>1PC</p>	 <p>26</p> <p>2PCS</p>	 <p>27</p> <p>4PCS</p>	 <p>28</p> <p>4PCS</p>
 <p>29</p> <p>light bar</p> <p>1PC</p>	 <p>30</p> <p>1PC</p>	 <p>31</p> <p>Remote control</p> <p>1PC</p>	 <p>32</p> <p>Thread embedding buckle</p> <p>3PCS</p>
 <p>33</p> <p>4PCS</p>			

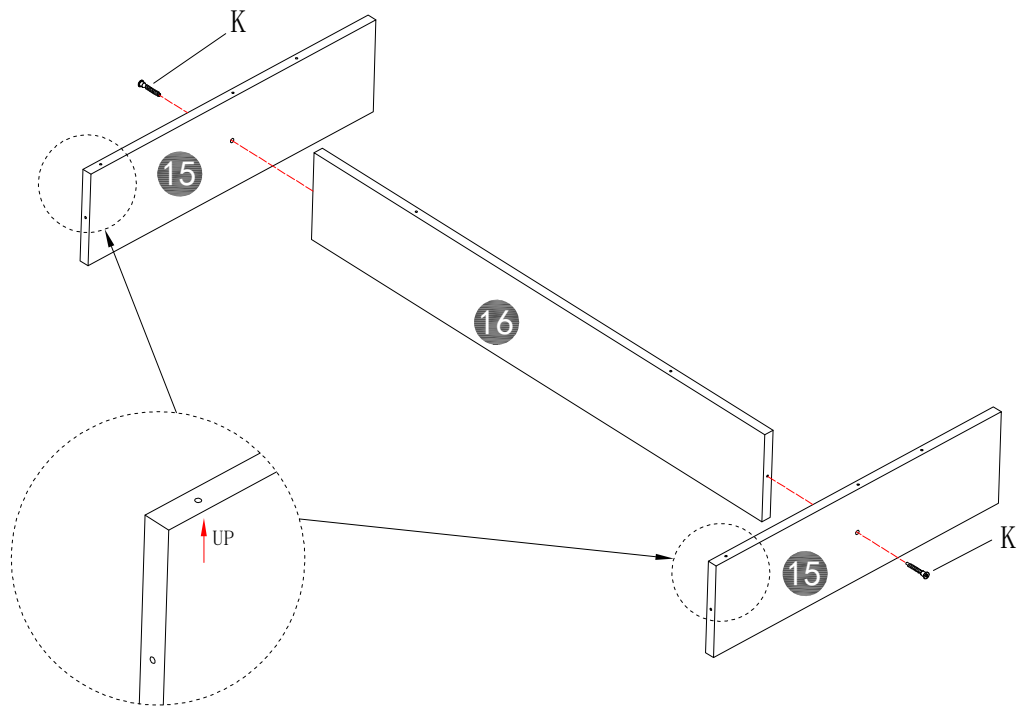
# ASSEMBLY INSTRUCTIONS



## HARDWARE LIST

<p><b>A</b></p>  <p>M8*40 20PCS</p>	<p><b>B</b></p>  <p>M6*45 12PCS</p>	<p><b>C</b></p>  <p>M5*25 8PCS</p>	<p><b>D</b></p>  <p>M6*32 4PCS</p>
<p><b>E</b></p>  <p>M6*22 5PCS</p>	<p><b>F</b></p>  <p>M6*48 12PCS</p>	<p><b>G</b></p>  <p>M6*12 8PCS</p>	<p><b>H</b></p>  <p>Ø6 24PCS</p>
<p><b>I</b></p>  <p>S4 1PC</p>	<p><b>J</b></p>  <p>M6*18 8PCS</p>	<p><b>K</b></p>  <p>Ø5*35 60PCS</p>	<p><b>L</b></p>  <p>1PC</p>
<p><b>M</b></p>  <p>M3*12 2PCS</p>	<p><b>N</b></p>  <p>S3 1PC</p>		

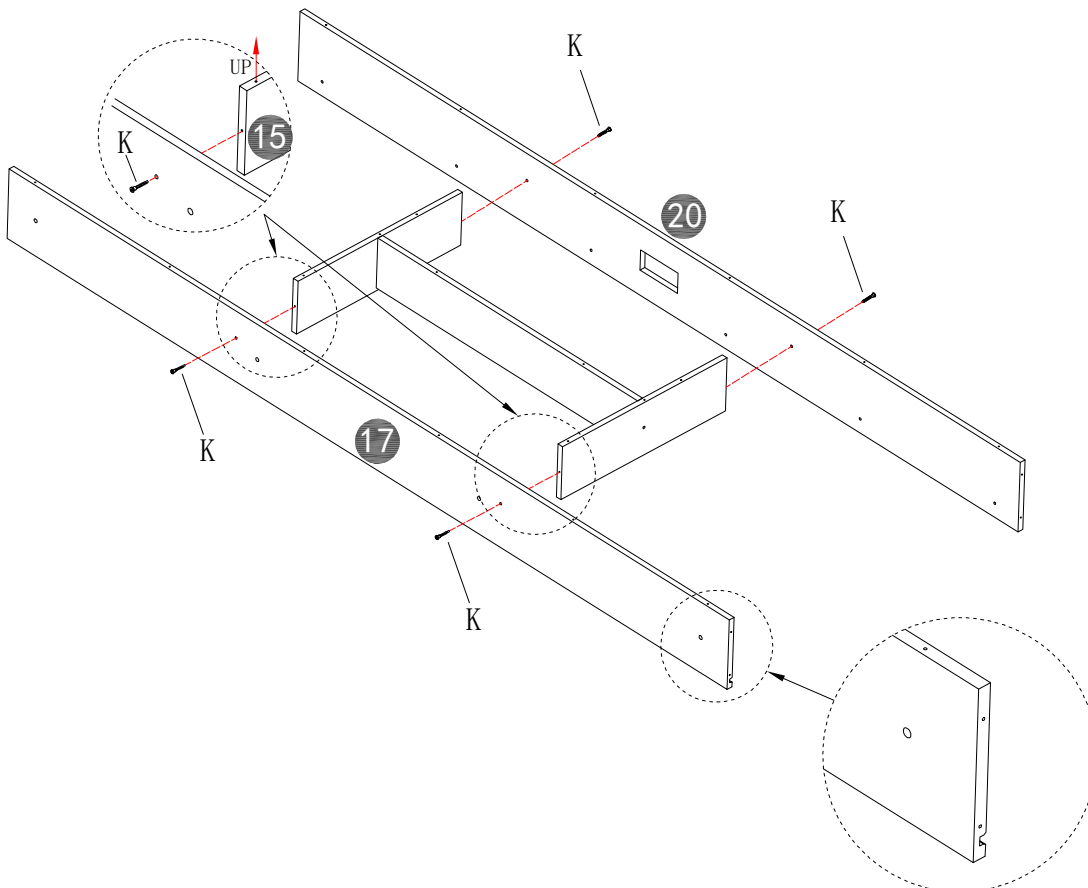
# ASSEMBLY INSTRUCTIONS



1



K		2PCS
N		

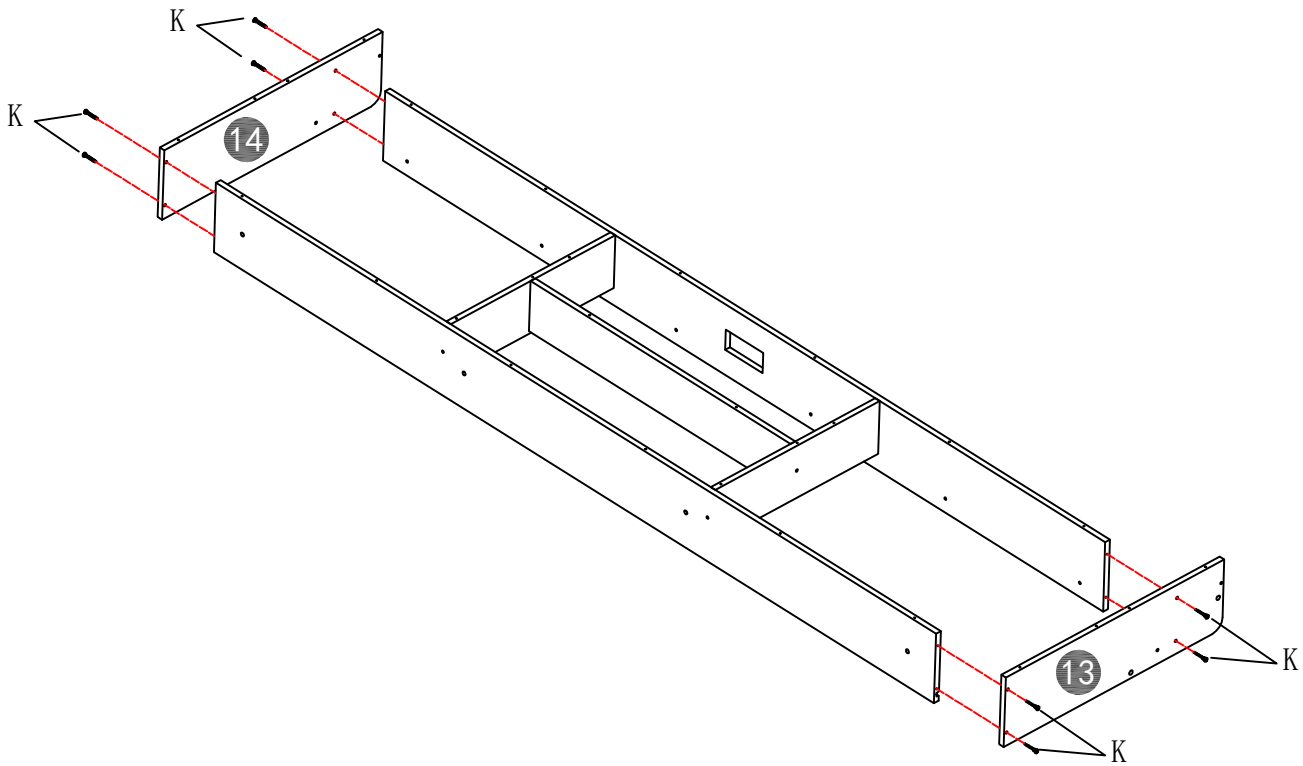
2





K		4PCS
N		

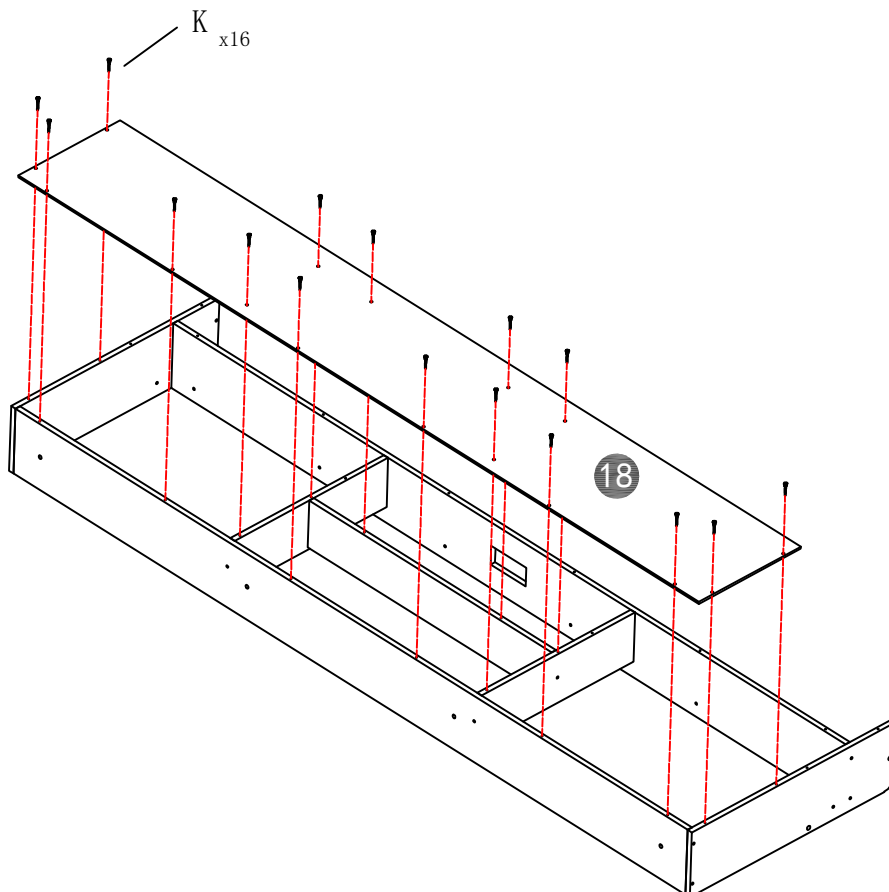
# ASSEMBLY INSTRUCTIONS



3



K		8PCS
N		

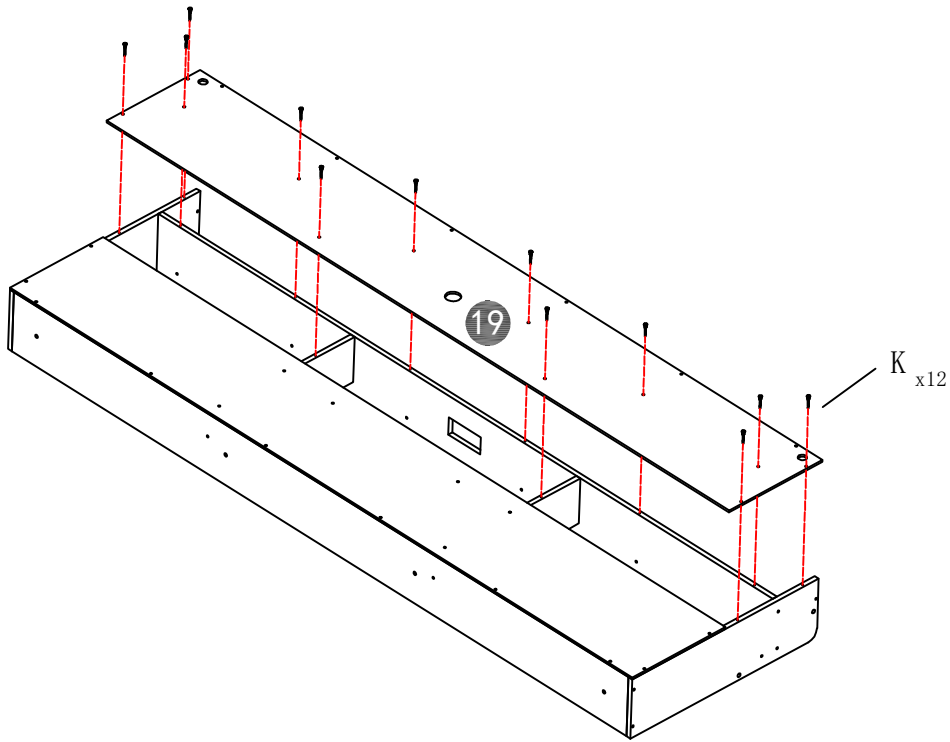
4





K		16PCS
N		

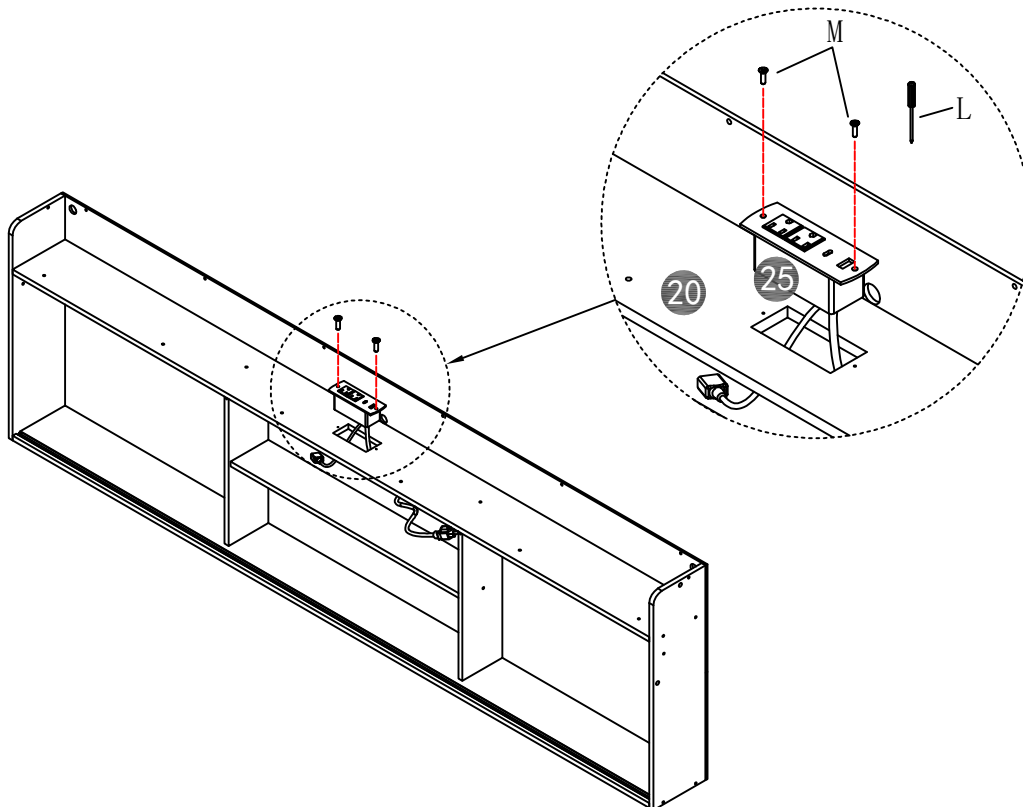
# ASSEMBLY INSTRUCTIONS



5



K		12PCS
N		

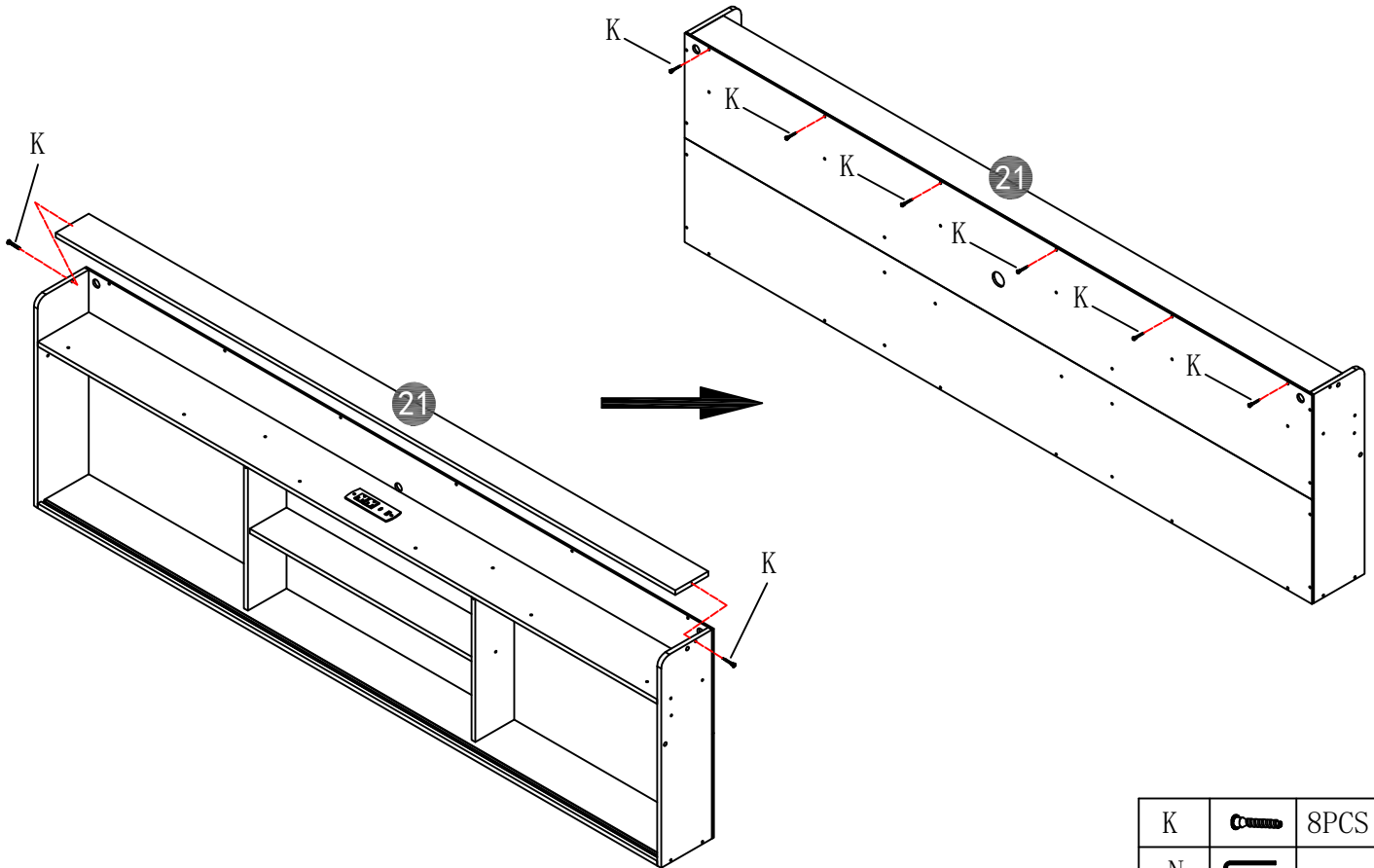
6





M		2PCS
L		

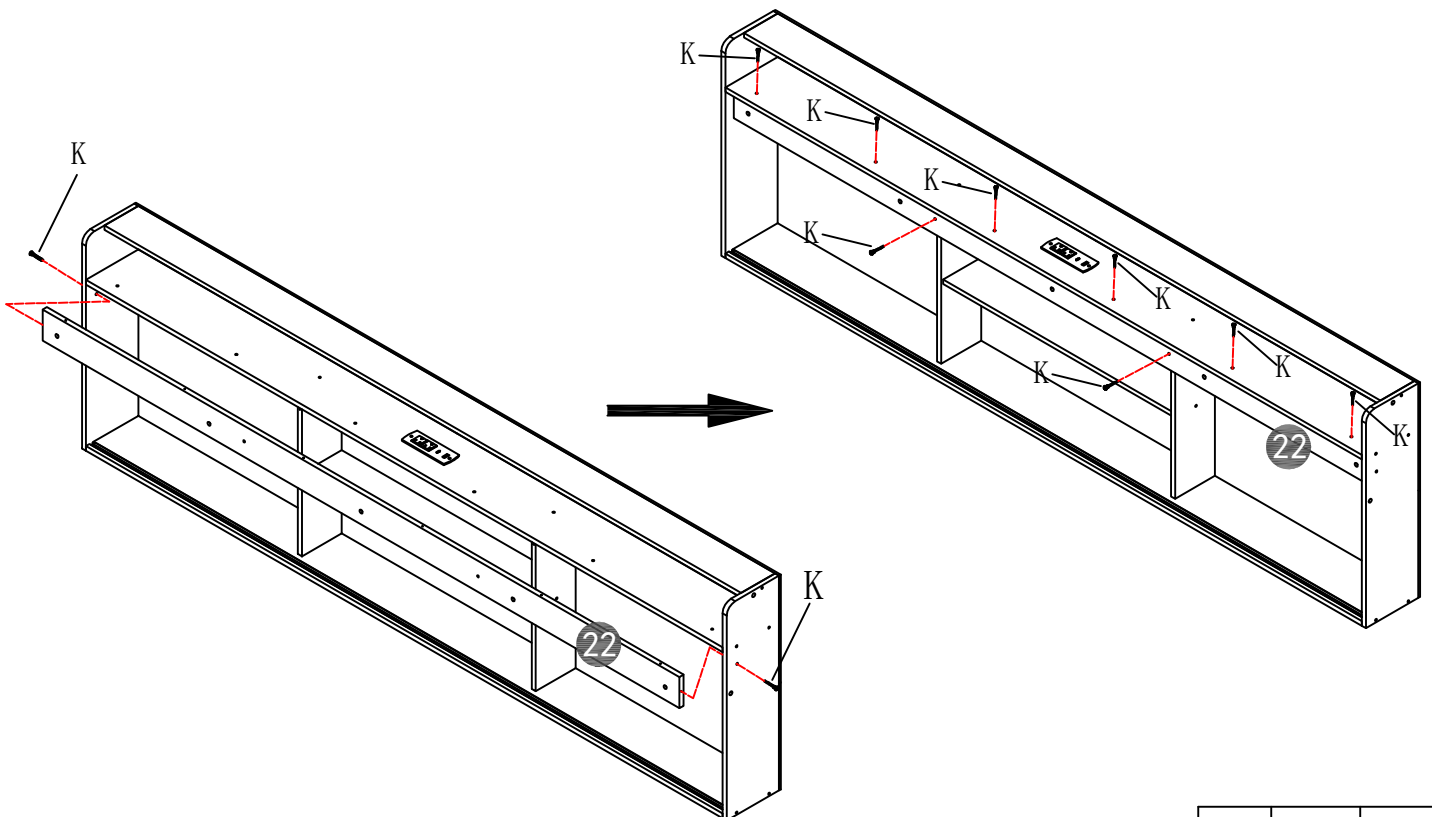
# ASSEMBLY INSTRUCTIONS



7



K		8PCS
N		

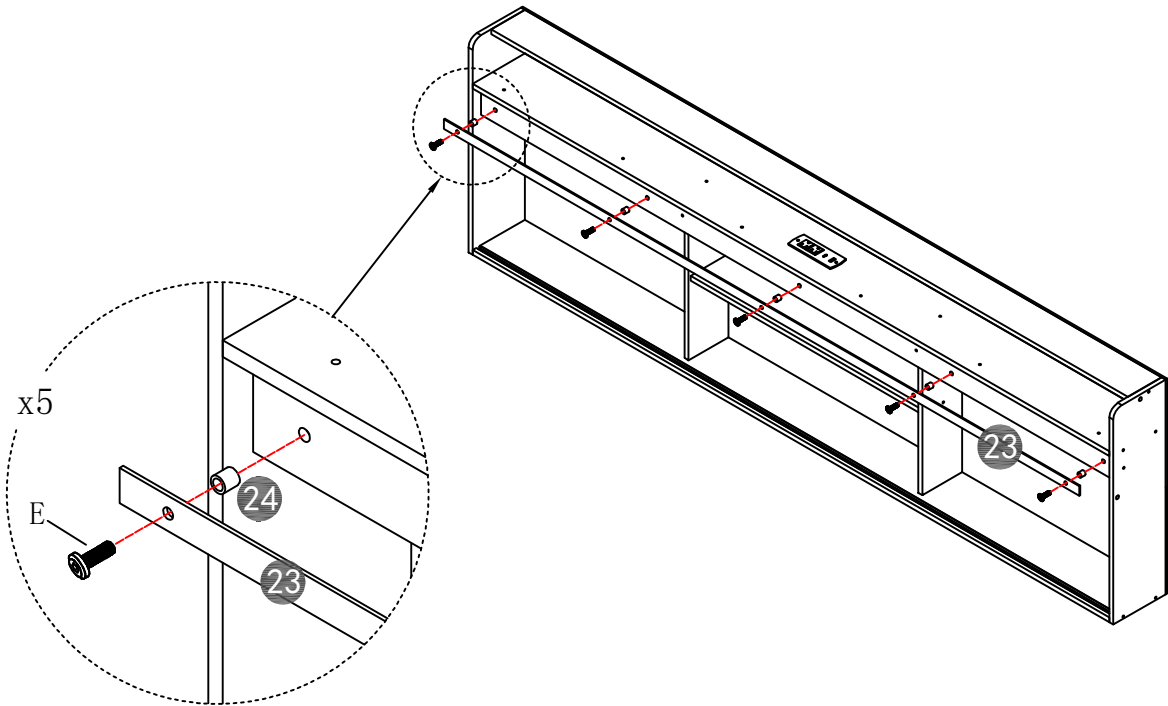
8





K		10PCS
N		

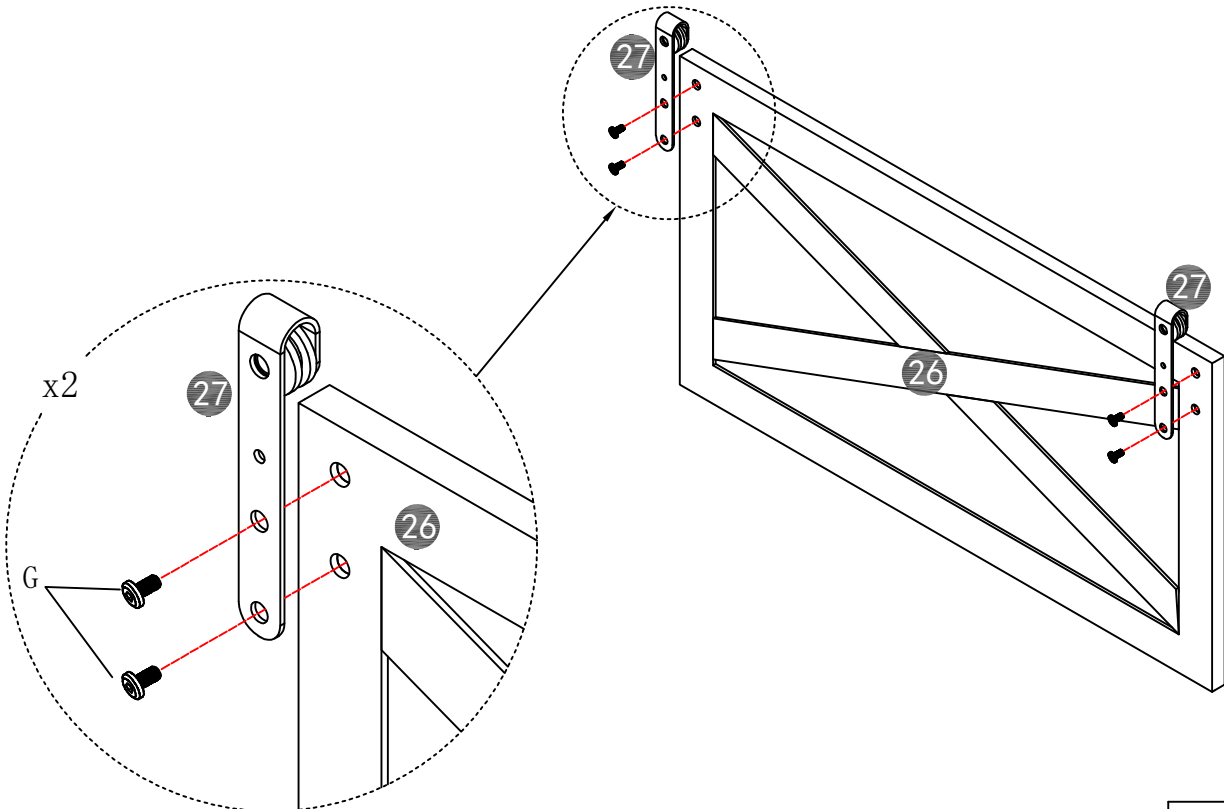
# ASSEMBLY INSTRUCTIONS



9



E		5PCS
I		

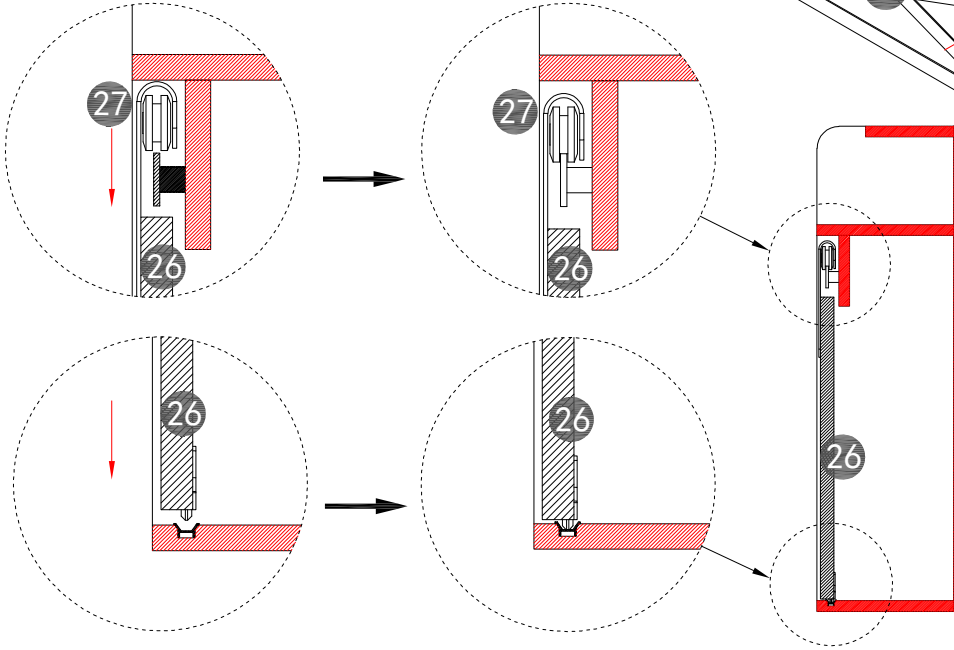
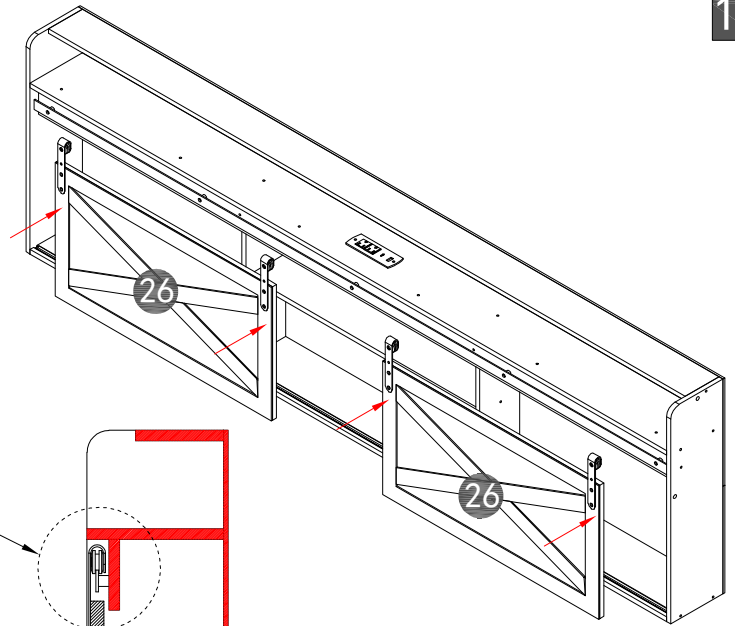
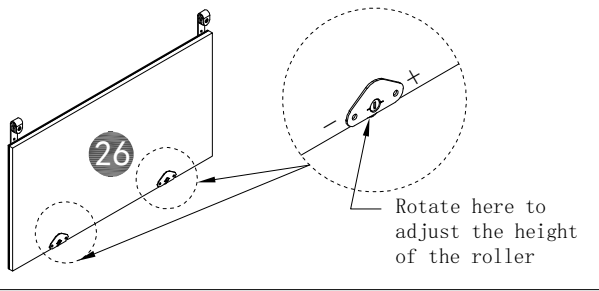
10



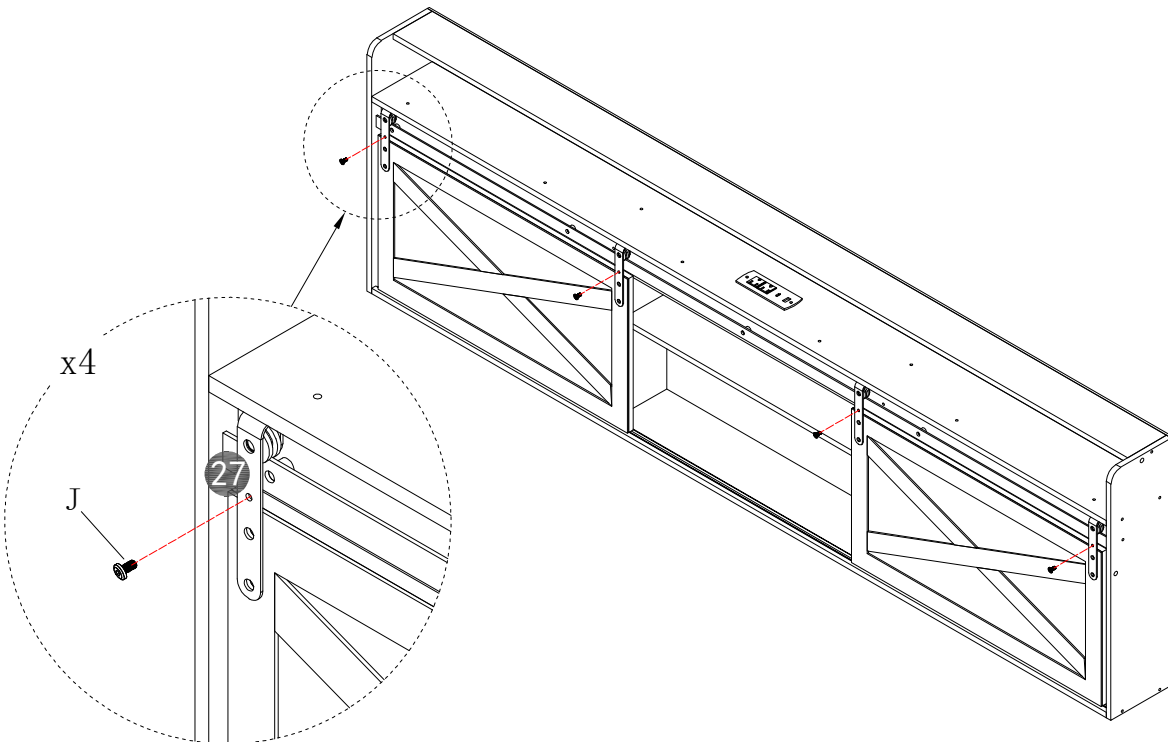
G		8PCS
I		

# ASSEMBLY INSTRUCTIONS

11



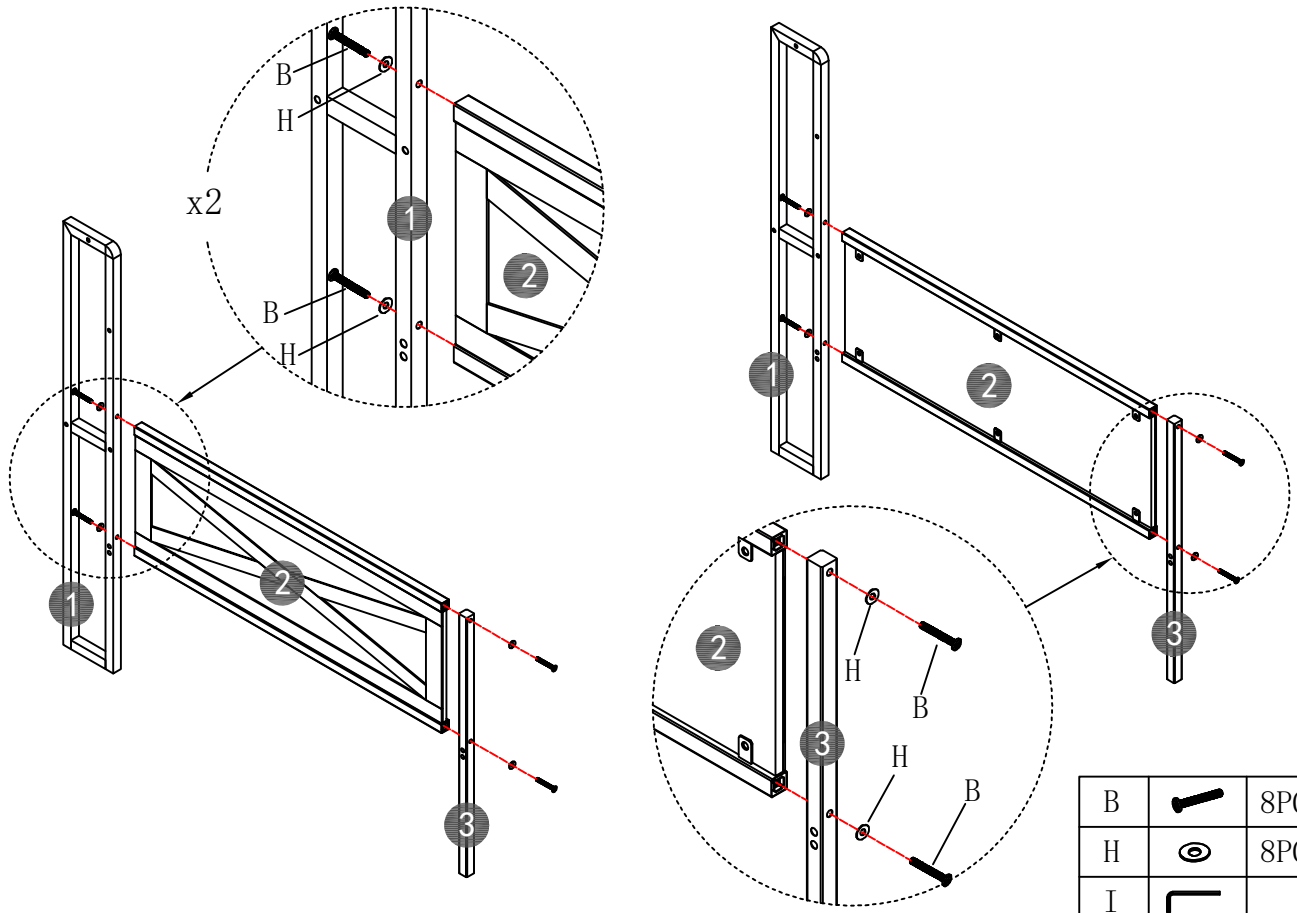
12



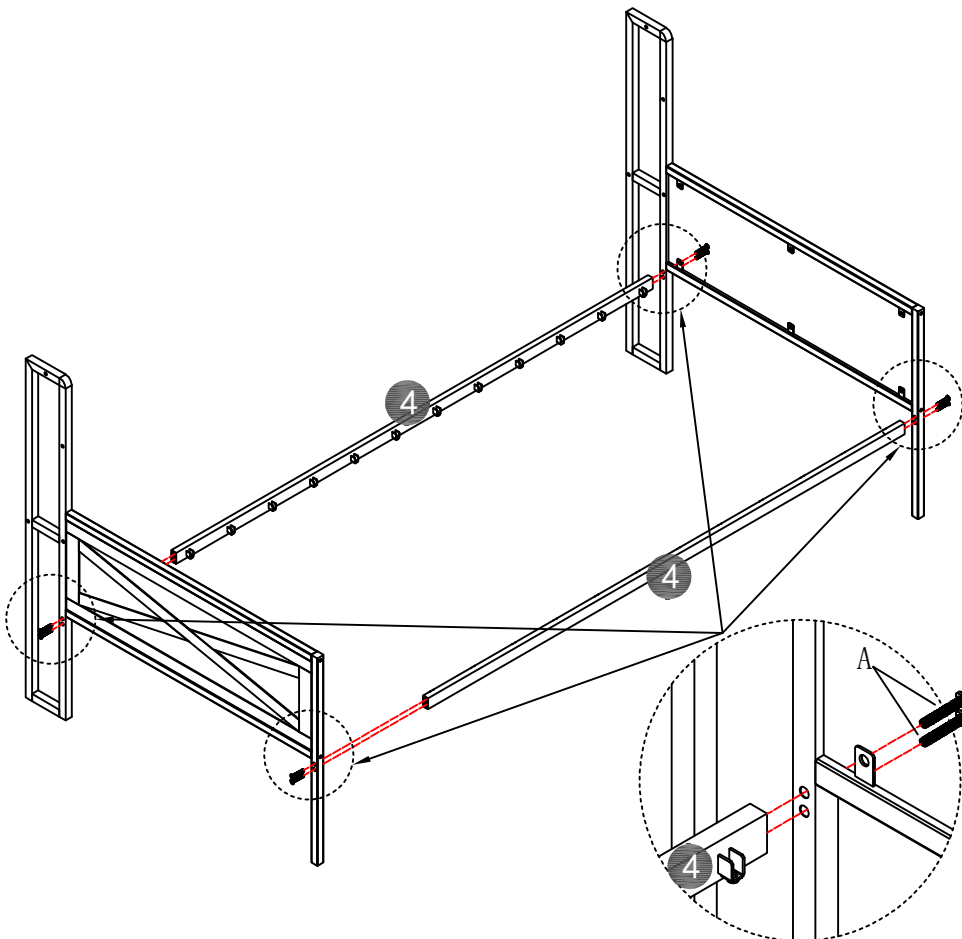
J		4PCS
I		

# ASSEMBLY INSTRUCTIONS

13



14

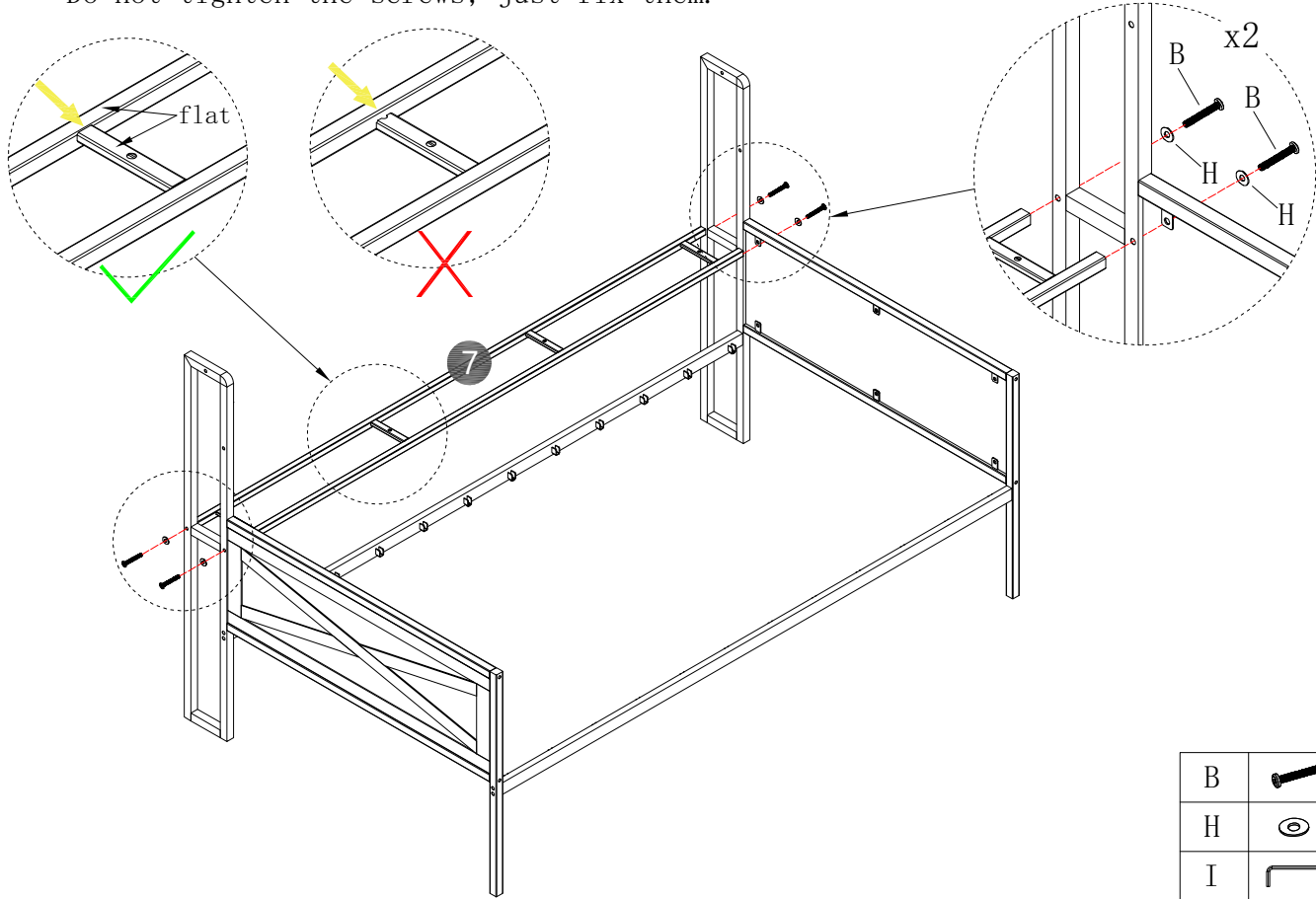


A		8PCS
I		

# ASSEMBLY INSTRUCTIONS

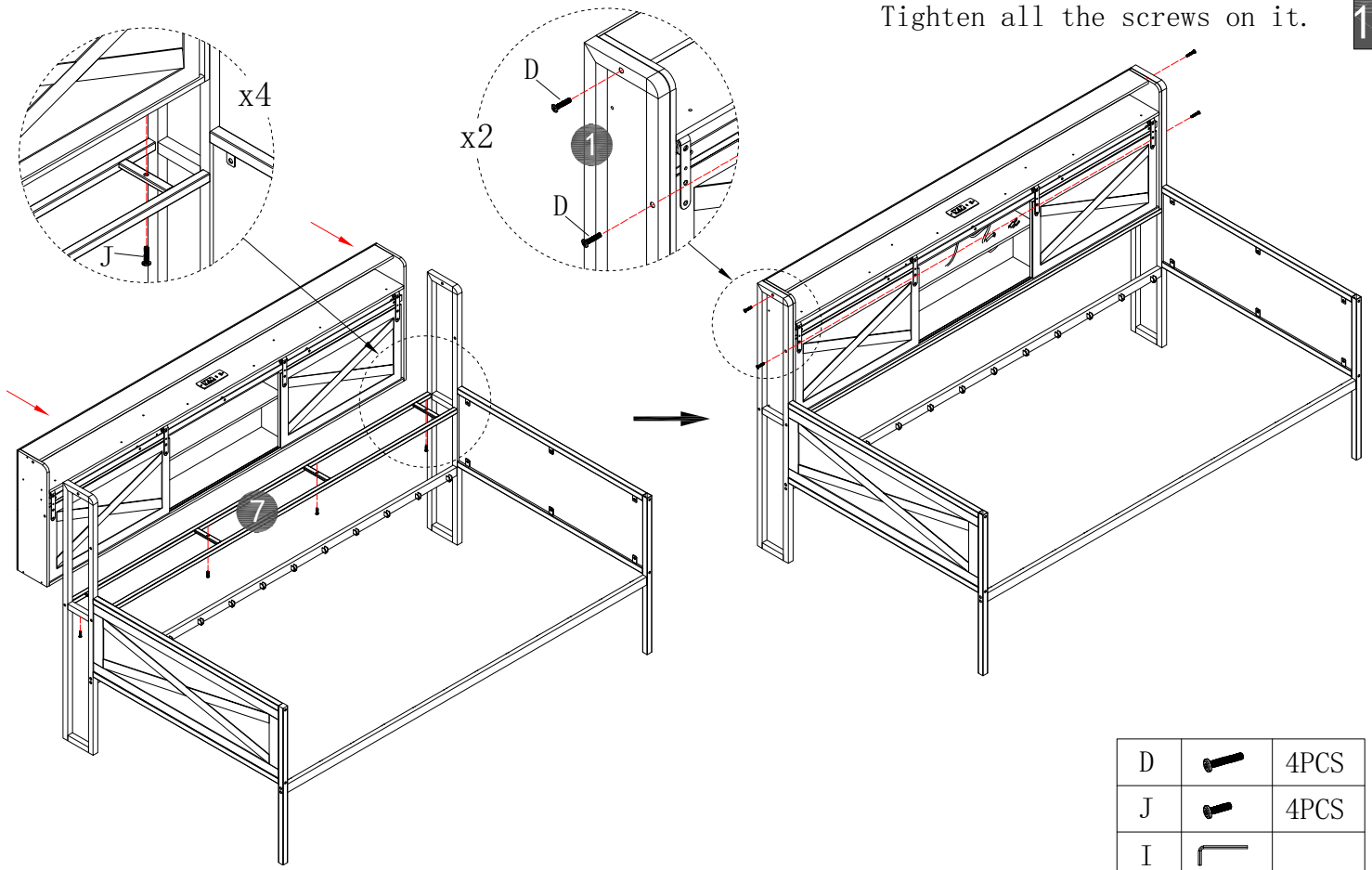
15

Do not tighten the screws, just fix them.



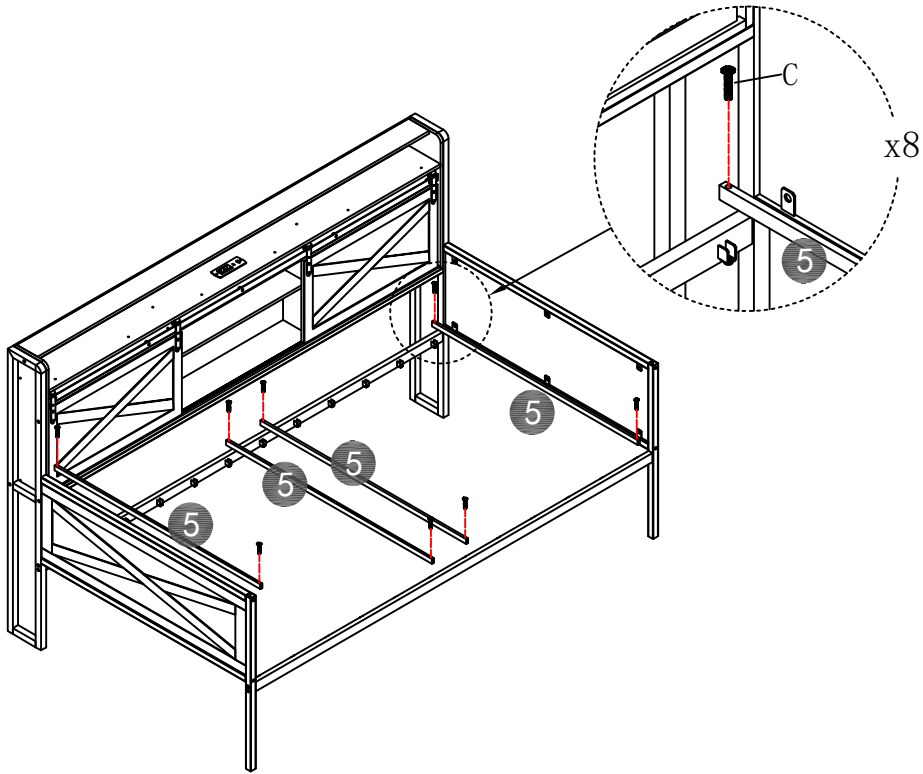
Tighten all the screws on it.


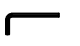
16



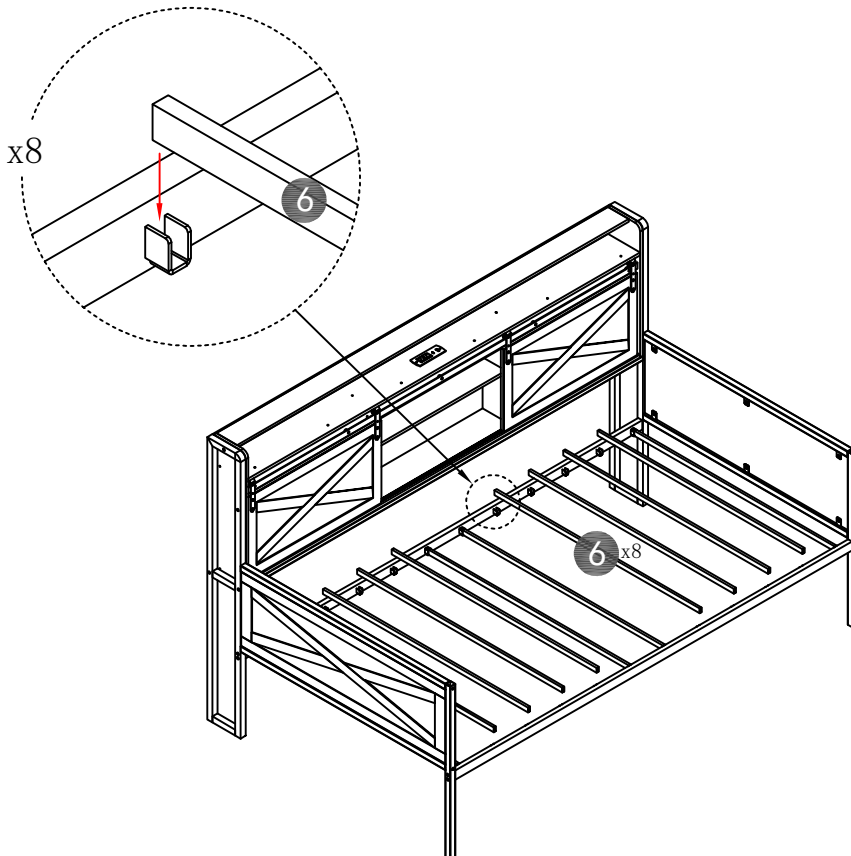
# ASSEMBLY INSTRUCTIONS

17

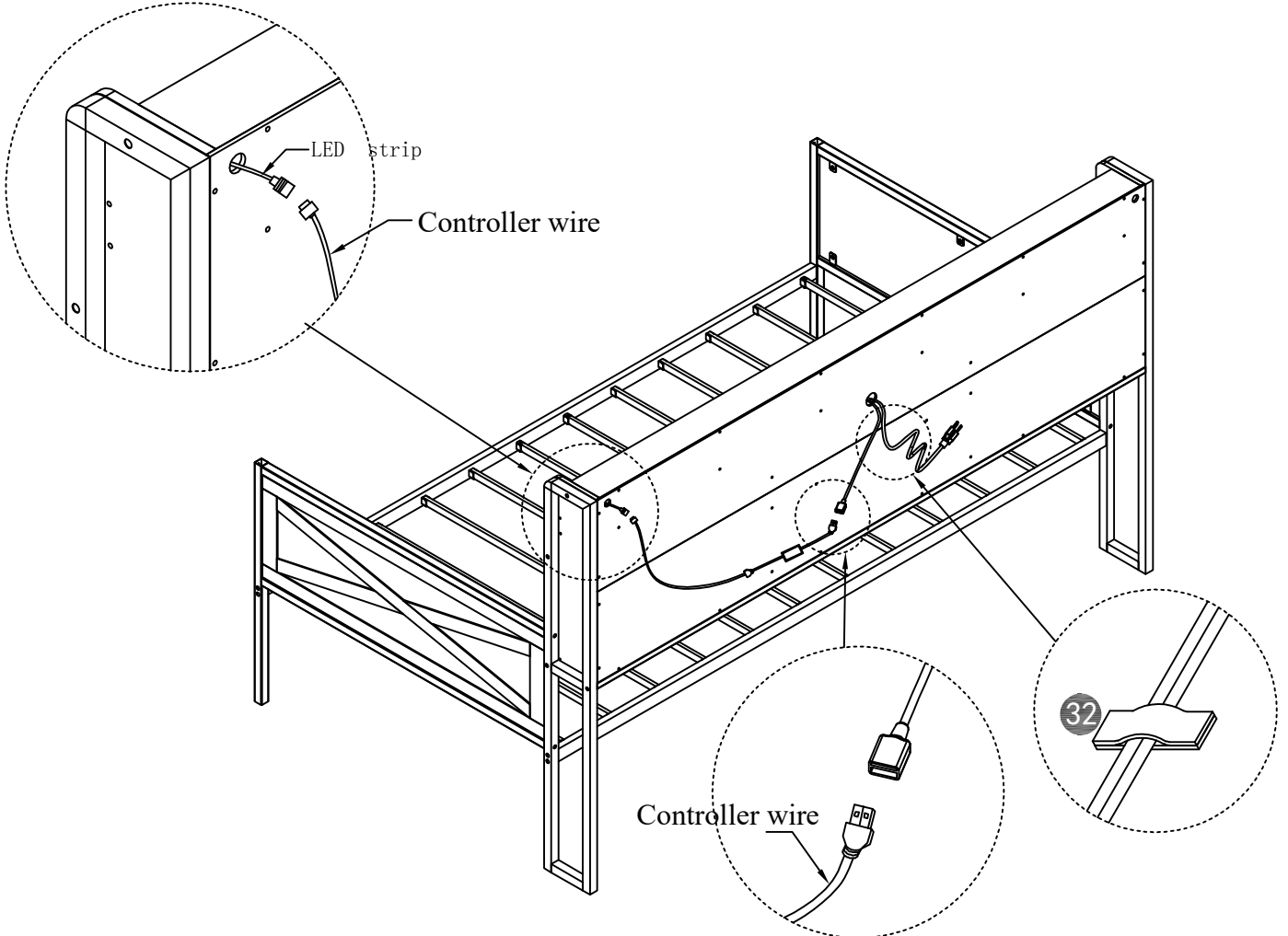
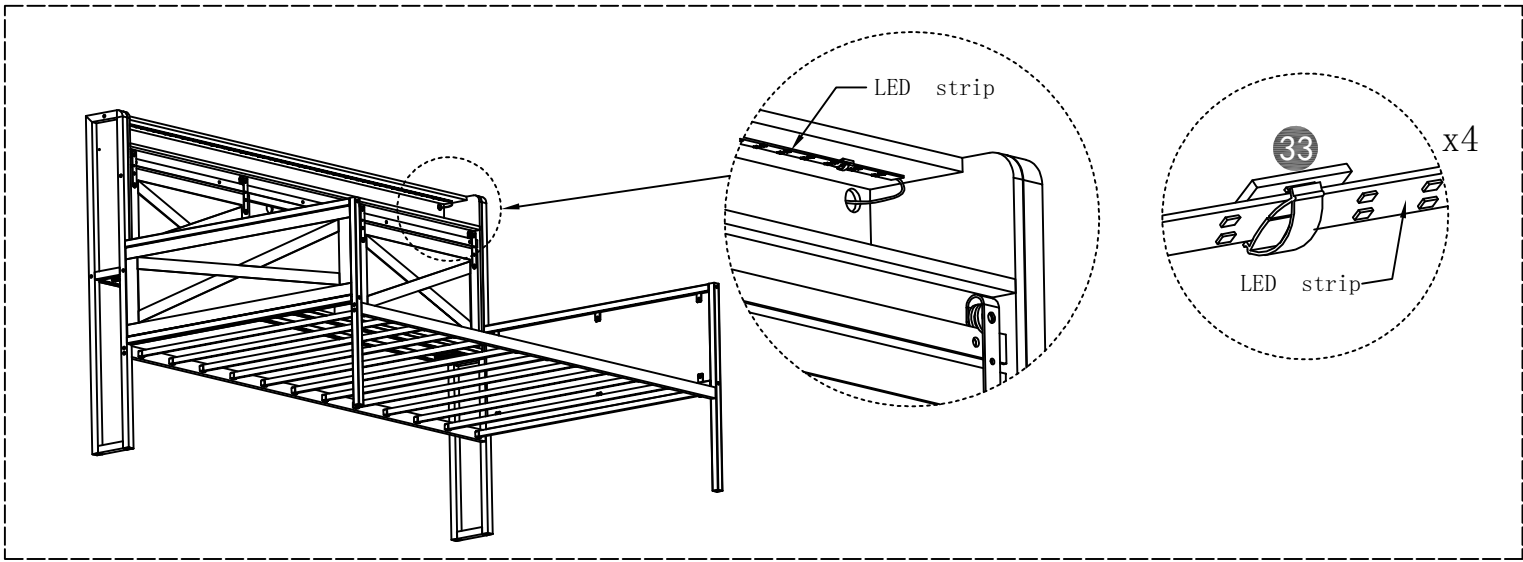
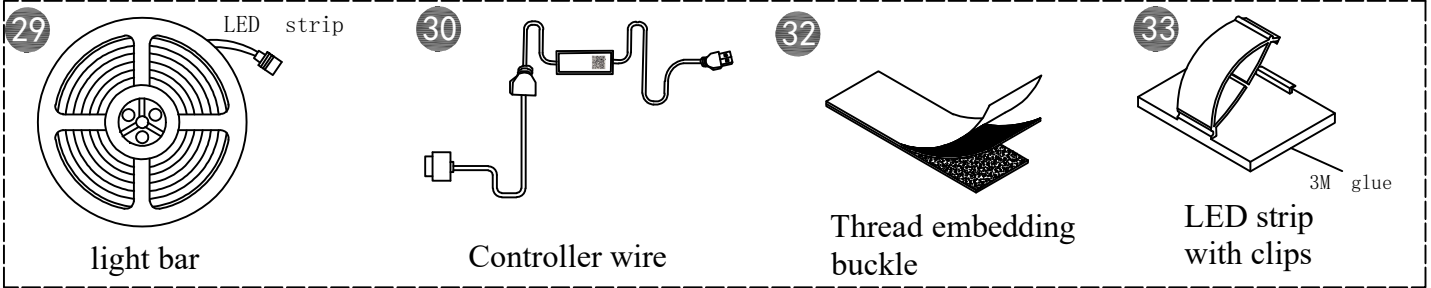


C		8PCS
I		

18

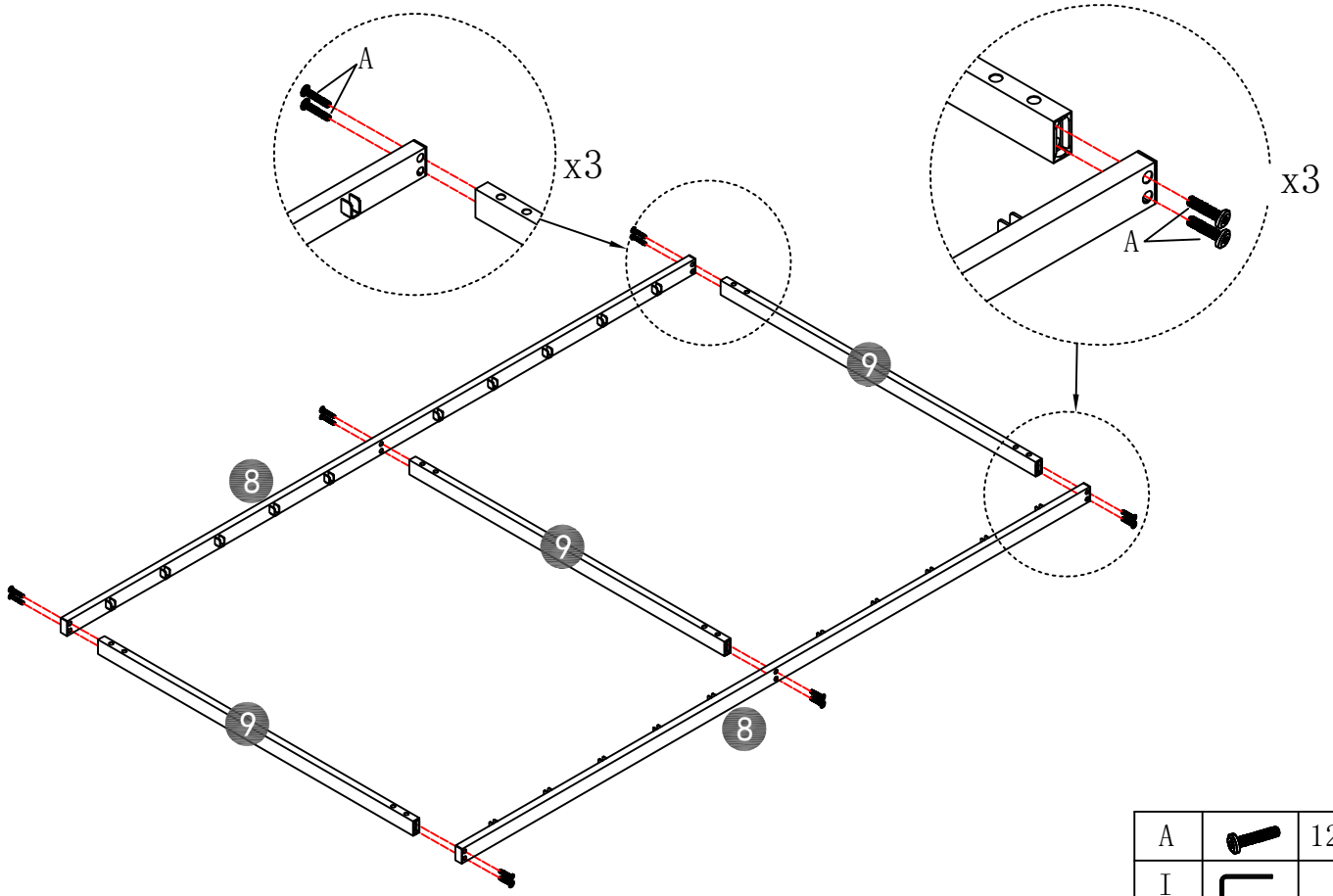




## DIY LED



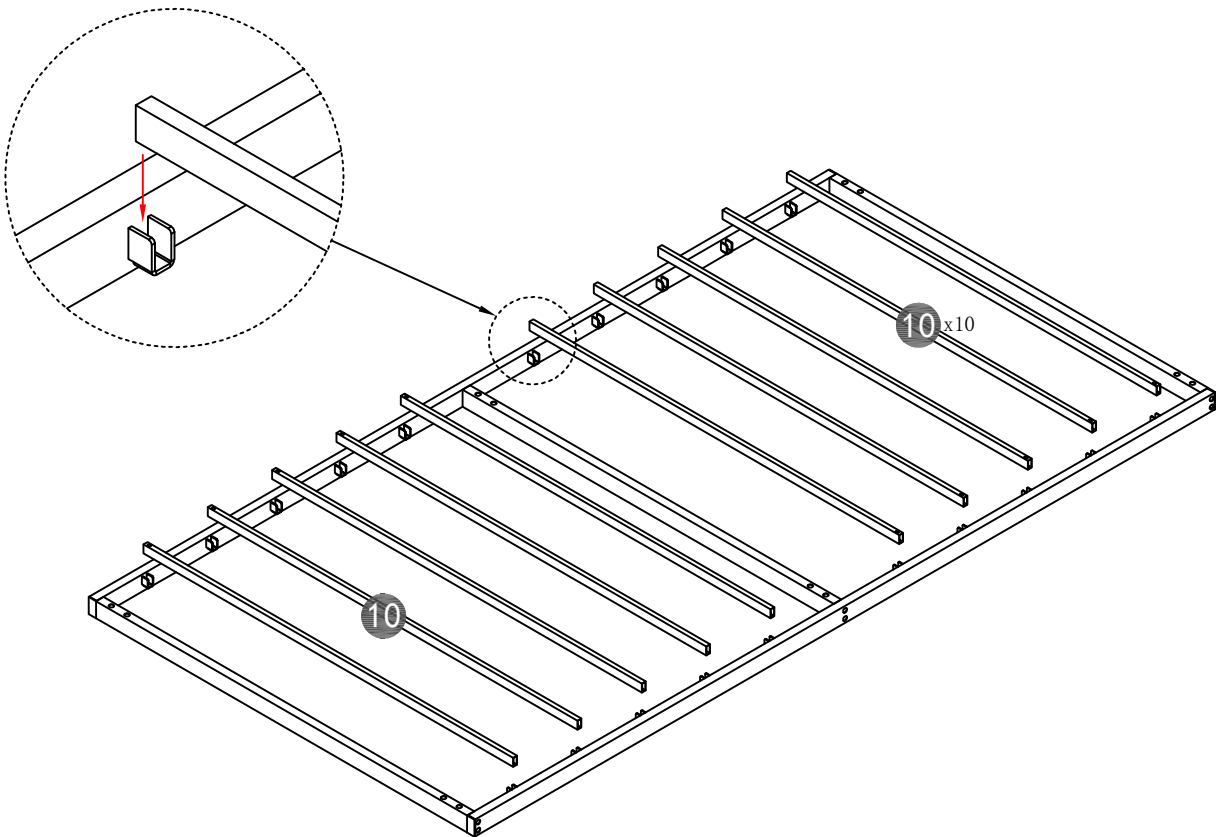
# ASSEMBLY INSTRUCTIONS

20



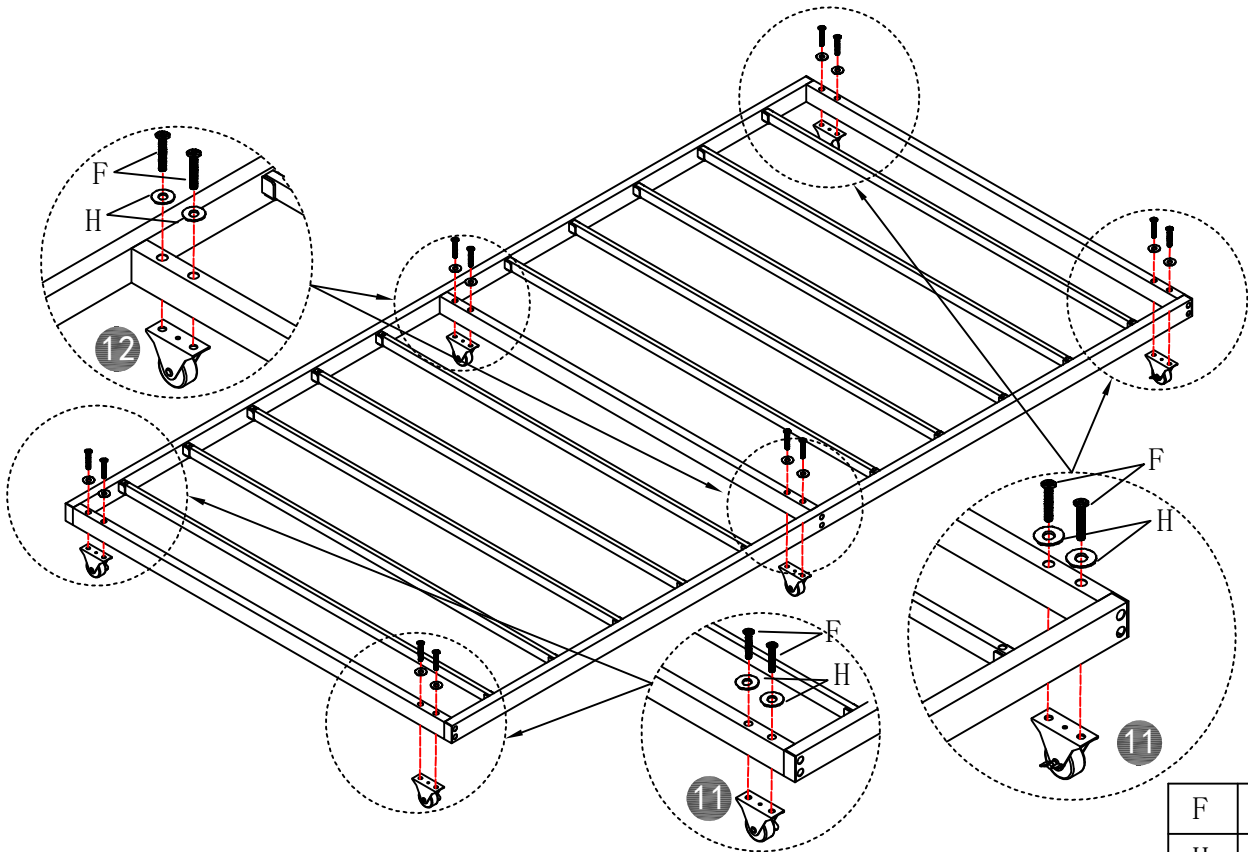
A		12PCS
I		

21



# ASSEMBLY INSTRUCTIONS

22



caster wheels with brakes

Please install the wheel with brake pads facing inwards.

23

