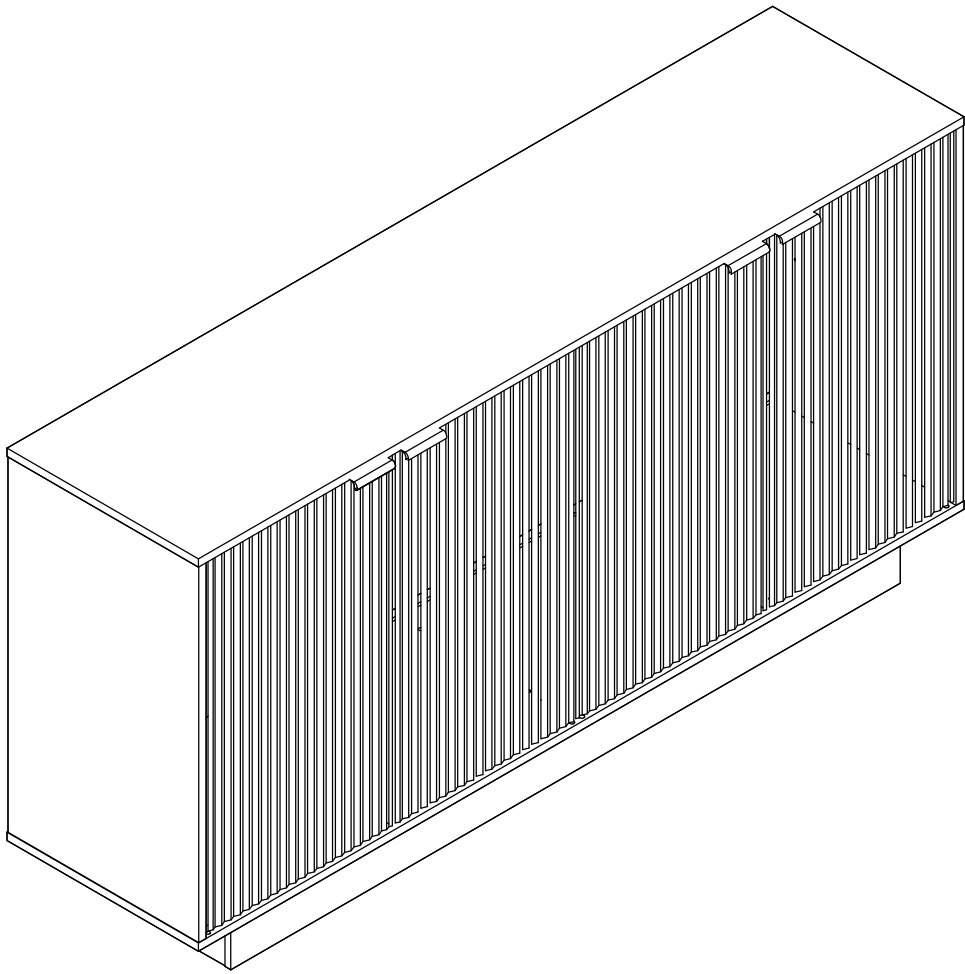
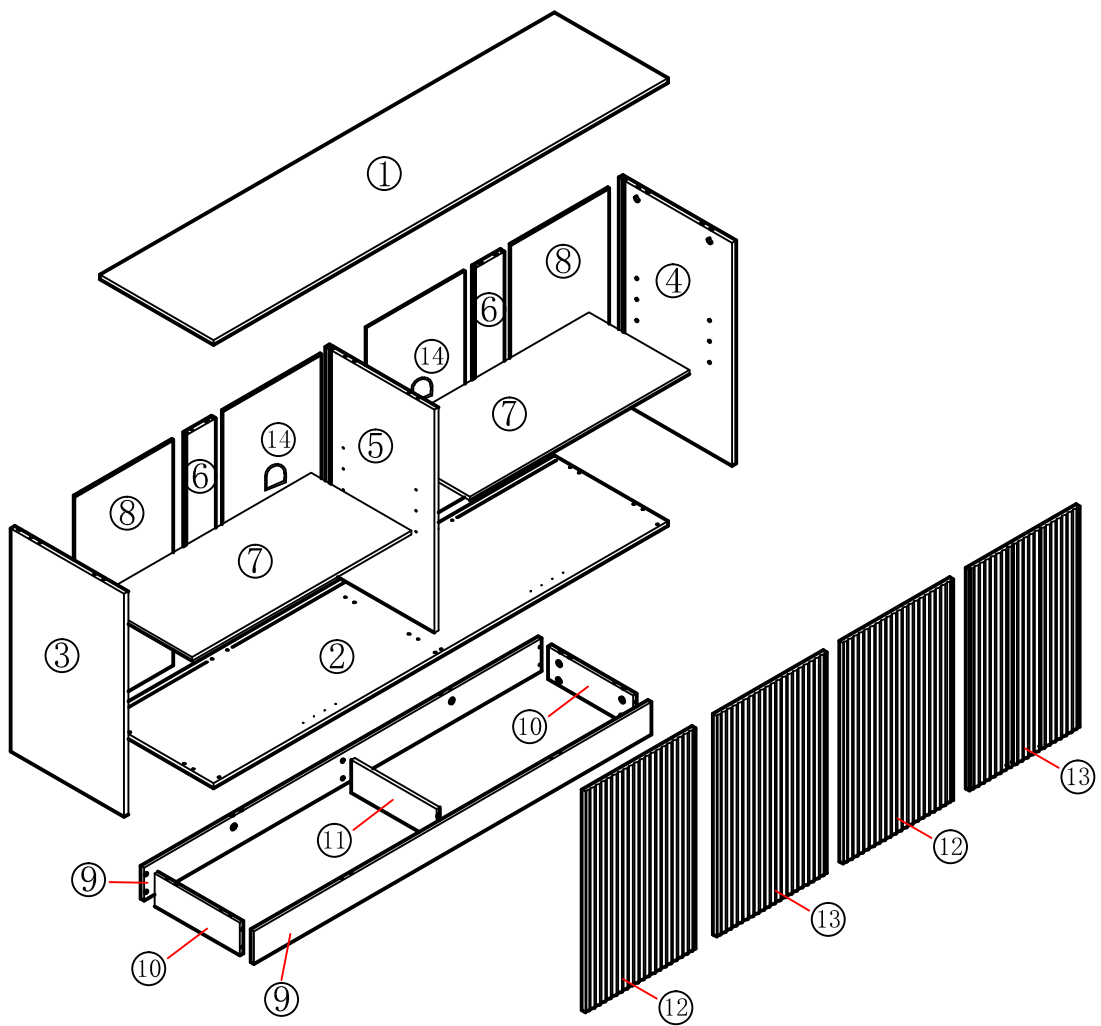
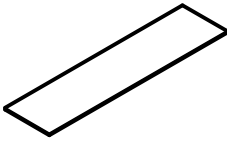
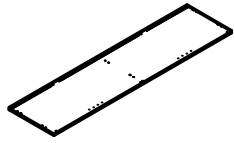
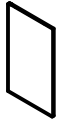



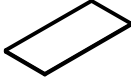

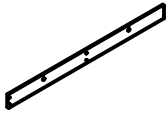
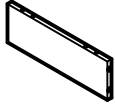
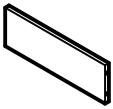





# Assembly Instruction

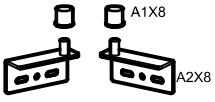
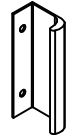

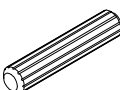
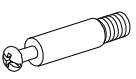
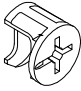
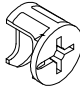
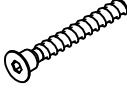

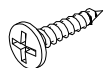
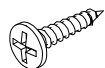



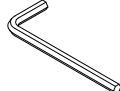




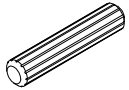
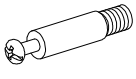
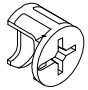
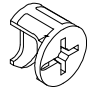
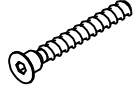

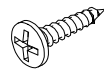
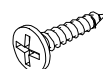


# HARDWARE LIST

①  1PC	②  1PC	③  1PC	④  1PC	⑤  1PC
⑥  2PC	⑦  2PC	⑧  2PC	⑨  2PC	⑩  2PC
⑪  1PC	⑫  2PC	⑬  2PC	⑭  2PC	

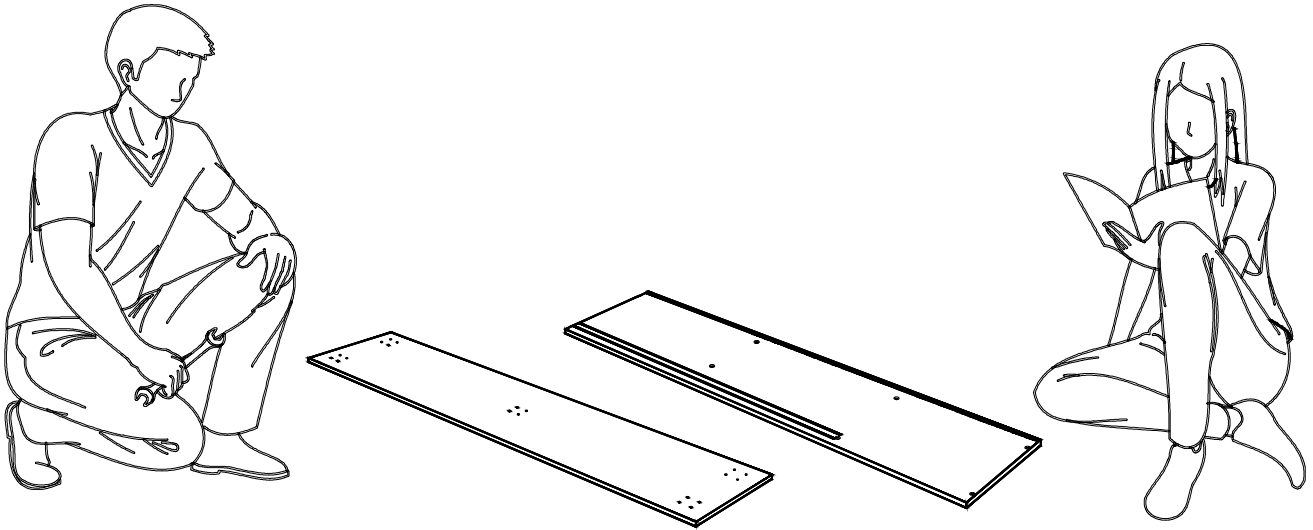
# HARDWARE LIST

<p>A</p>  <p>8PCS</p>	<p>B</p>  <p>4PCS</p>	<p>C</p>  <p>4PCS</p>	<p>D</p>  <p>8x30mm 28PCS</p>	<p>E</p>  <p>6x40mm 24PCS</p>
<p>F</p>  <p>Ø15*12mm 10PCS</p>	<p>G</p>  <p>Ø15*9.5mm 14PCS</p>	<p>H</p>  <p>M6x50mm 8PCS</p>	<p>I</p>  <p>8PCS</p>	<p>J</p>  <p>M3x12mm 40PCS</p>
<p>K</p>  <p>M3x14mm 12PCS</p>	<p>L</p>  <p>12PCS</p>	<p>M</p>  <p>2PCS</p>	<p>N</p>  <p>10PCS</p>	<p>O</p>  <p>M6 1PCS</p>

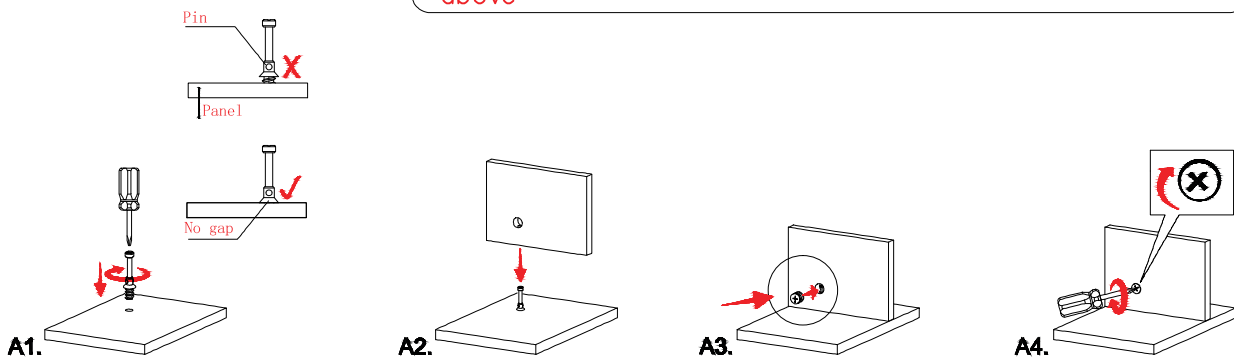
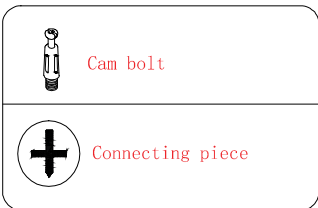
# HARDWARE SPARE LIST

<p>D</p>  <p>8x30mm 2PCS</p>	<p>E</p>  <p>6x40mm 2PCS</p>	<p>F</p>  <p>Ø15*12mm 1PCS</p>	<p>G</p>  <p>Ø15*9.5mm 1PCS</p>	<p>H</p>  <p>M6x50mm 1PCS</p>
<p>I</p>  <p>1PCS</p>	<p>J</p>  <p>M3x12mm 4PCS</p>	<p>K</p>  <p>M3x14mm 1PCS</p>	<p>L</p>  <p>1PCS</p>	<p>N</p>  <p>1PCS</p>

This furniture requires two people to assemble and move.  
 Make sure no parts missing or damaged before assembly.





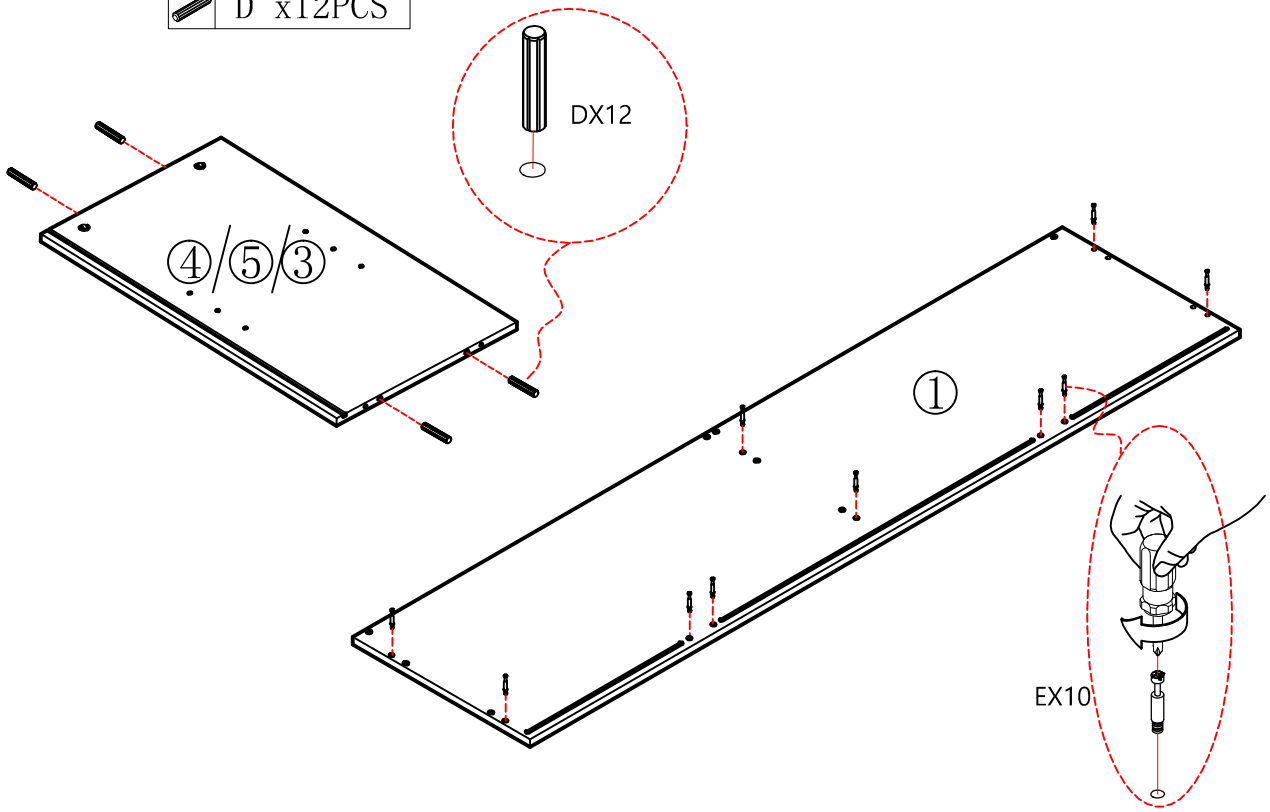
**CAM BOLT INSTALLATION AS BELOW**





# STEPS

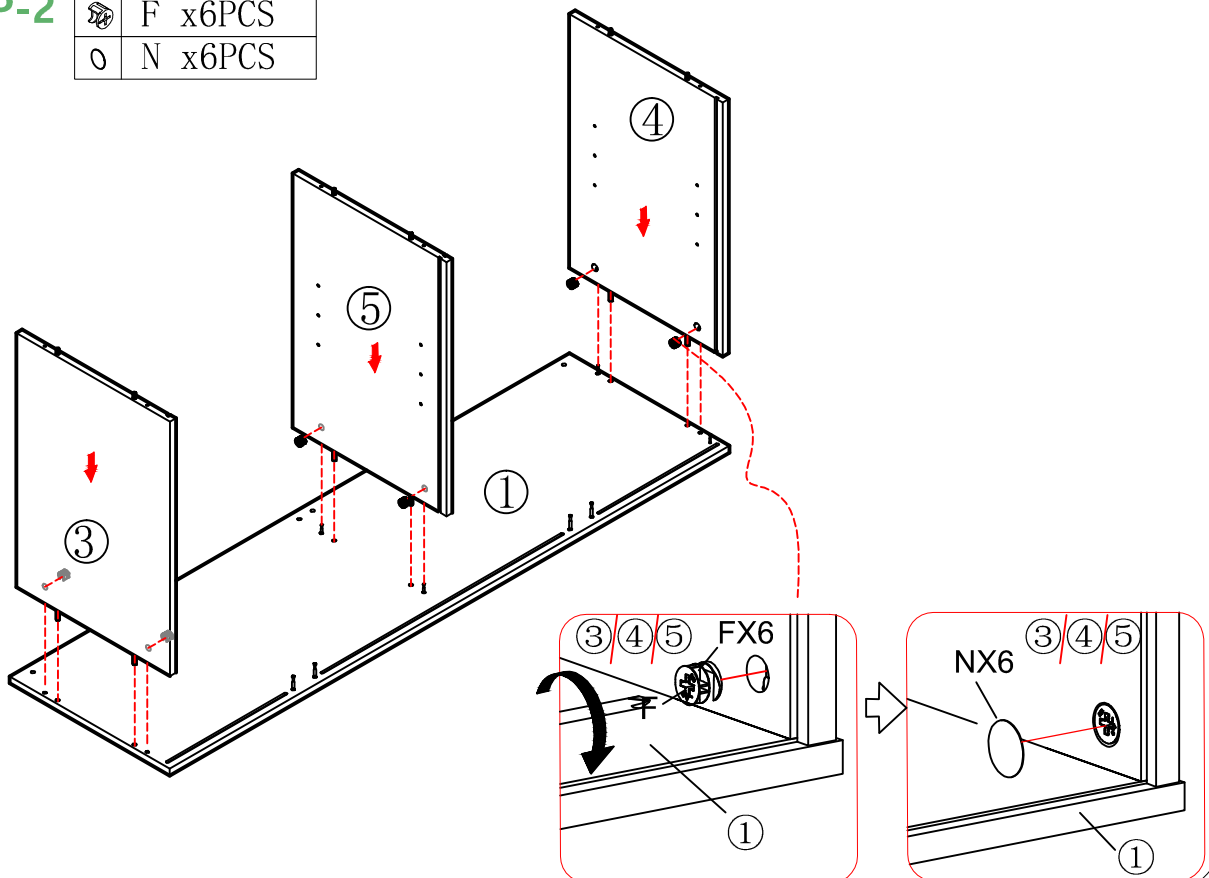
## STEP-1

	E x10PCS
	D x12PCS





## STEP-2

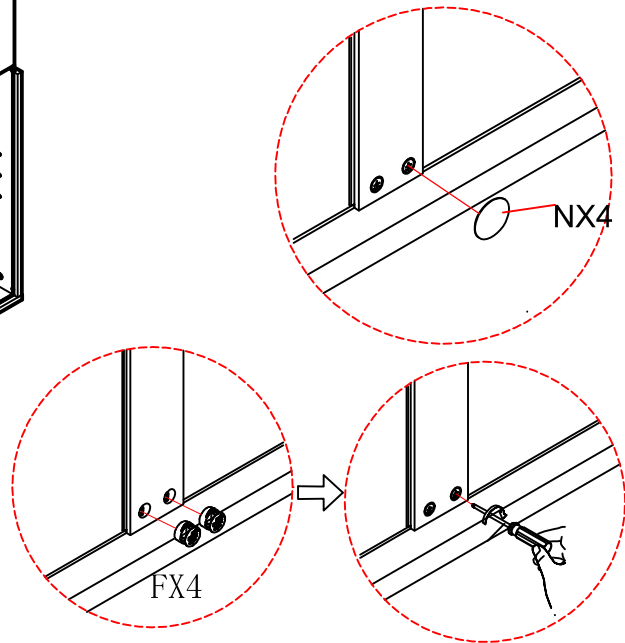
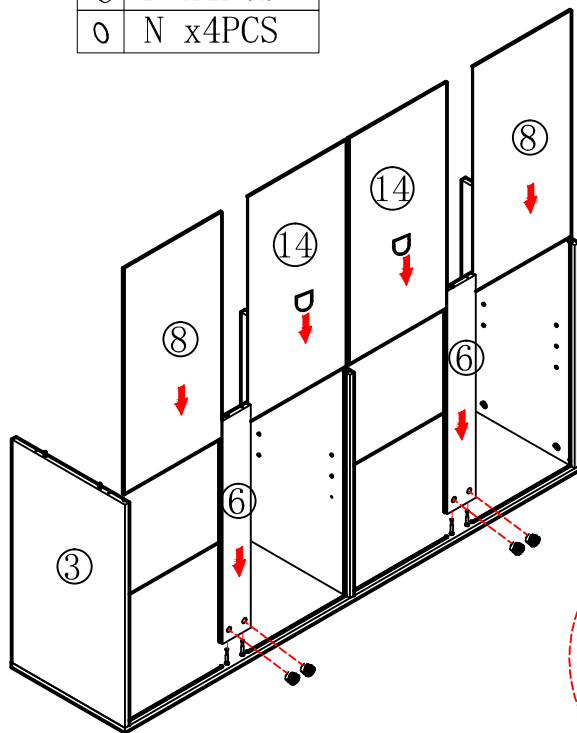
	F x6PCS
	N x6PCS




# STEPS

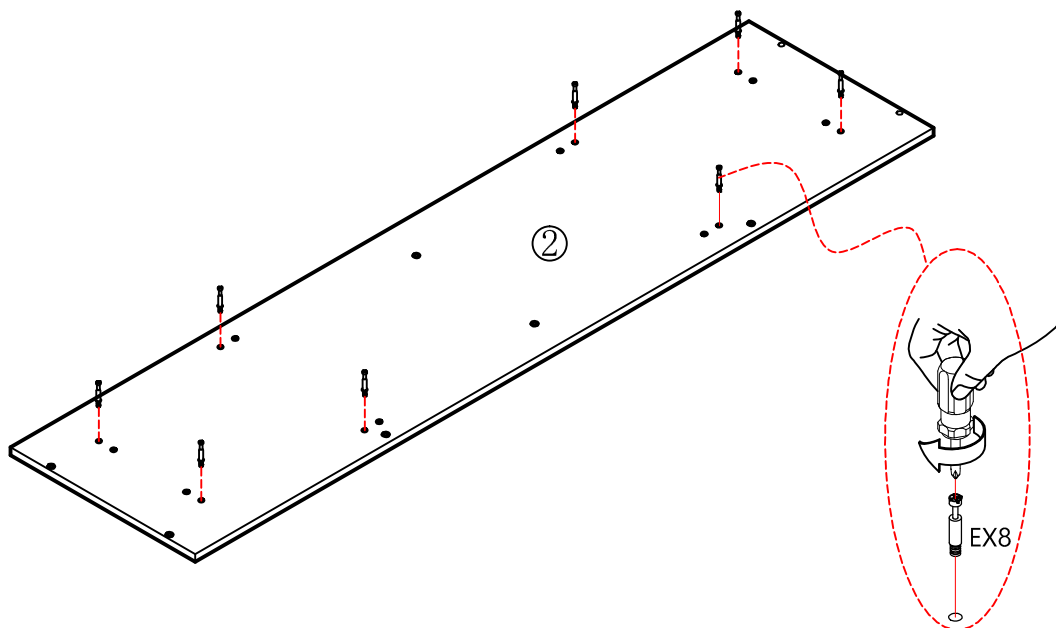
## STEP-3

	F x4PCS
	N x4PCS




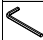
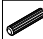
## STEP-4

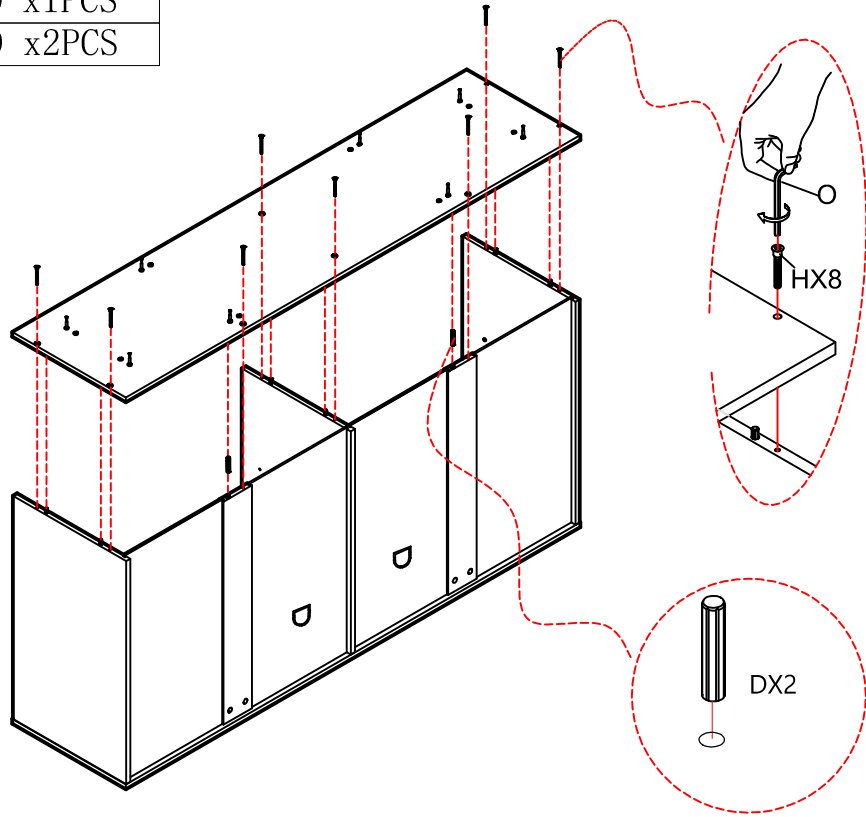
	E x8PCS
---	---------






# STEPS

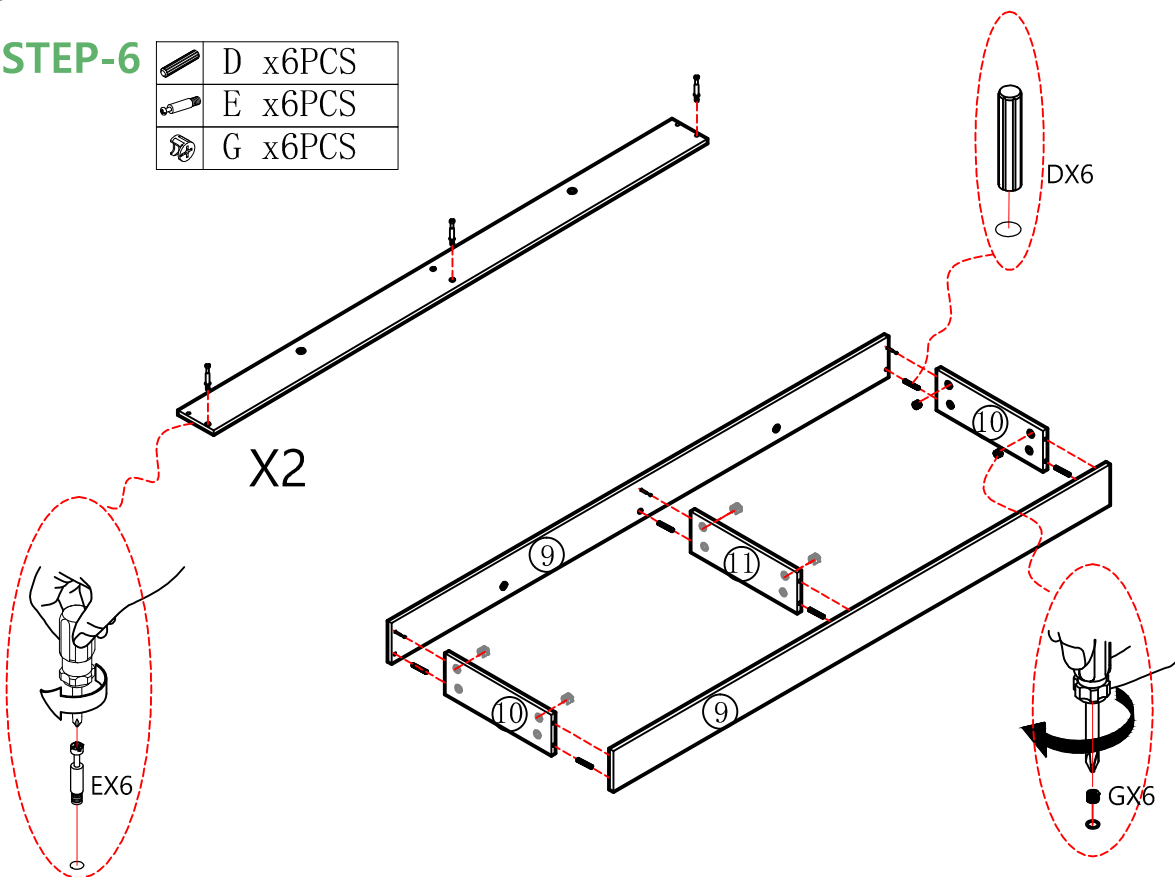
## STEP-5

	H x8PCS
	O x1PCS
	D x2PCS



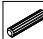

## STEP-6

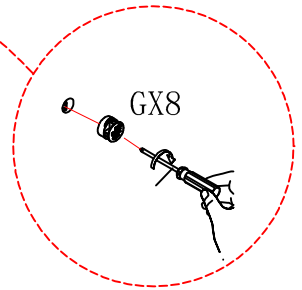
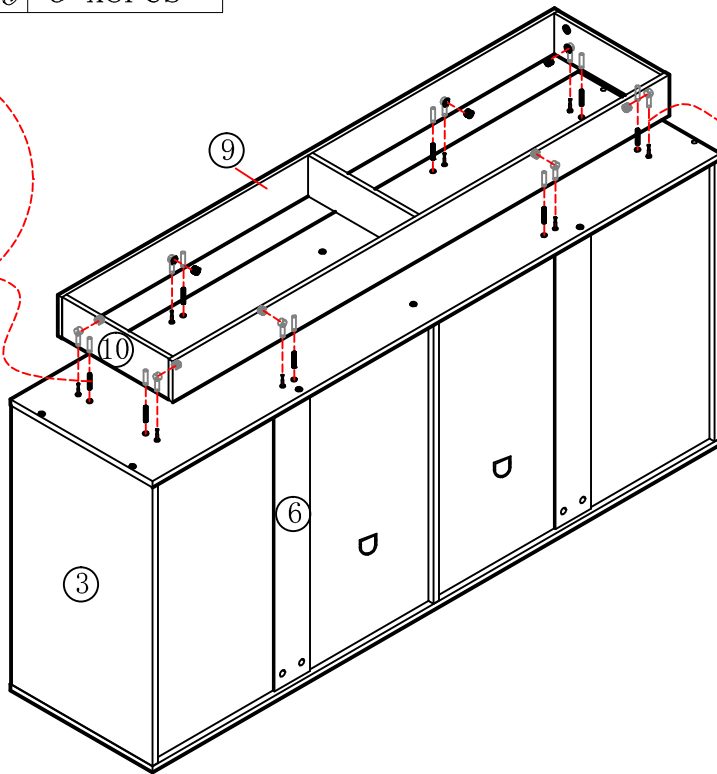
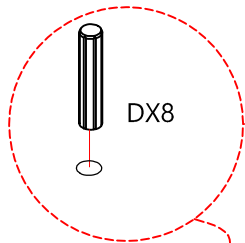
	D x6PCS
	E x6PCS
	G x6PCS





# STEPS

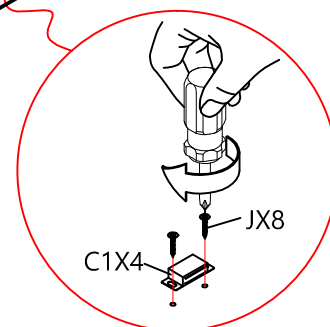
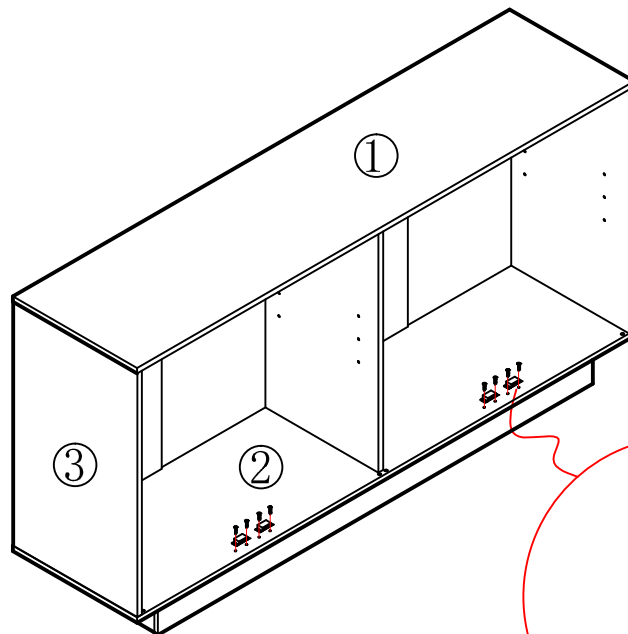
## STEP-7

	D x8PCS
	G x8PCS



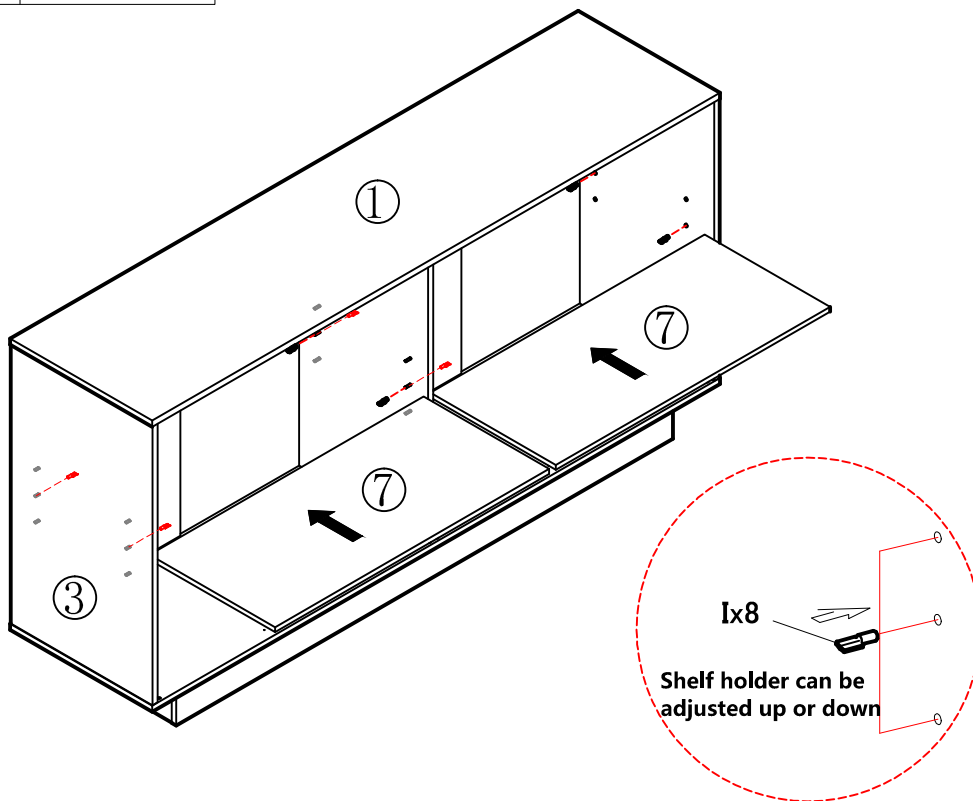
## STEP-8

	C x4PCS
	J x8PCS

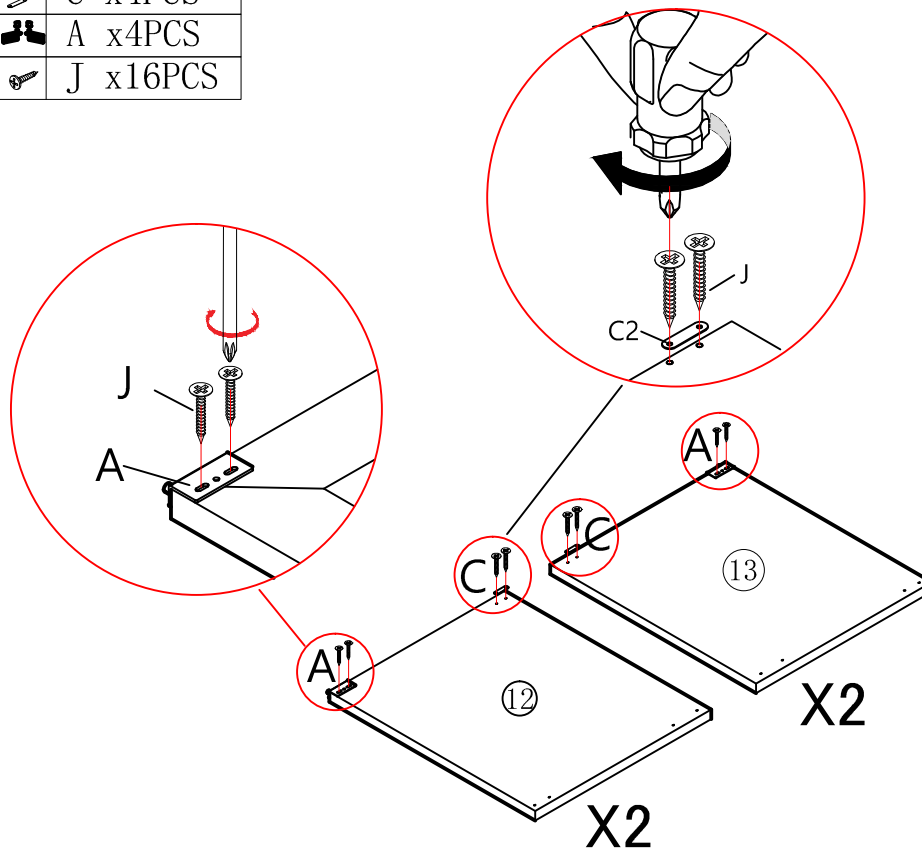


# STEPS

## STEP-9 I x8PCS






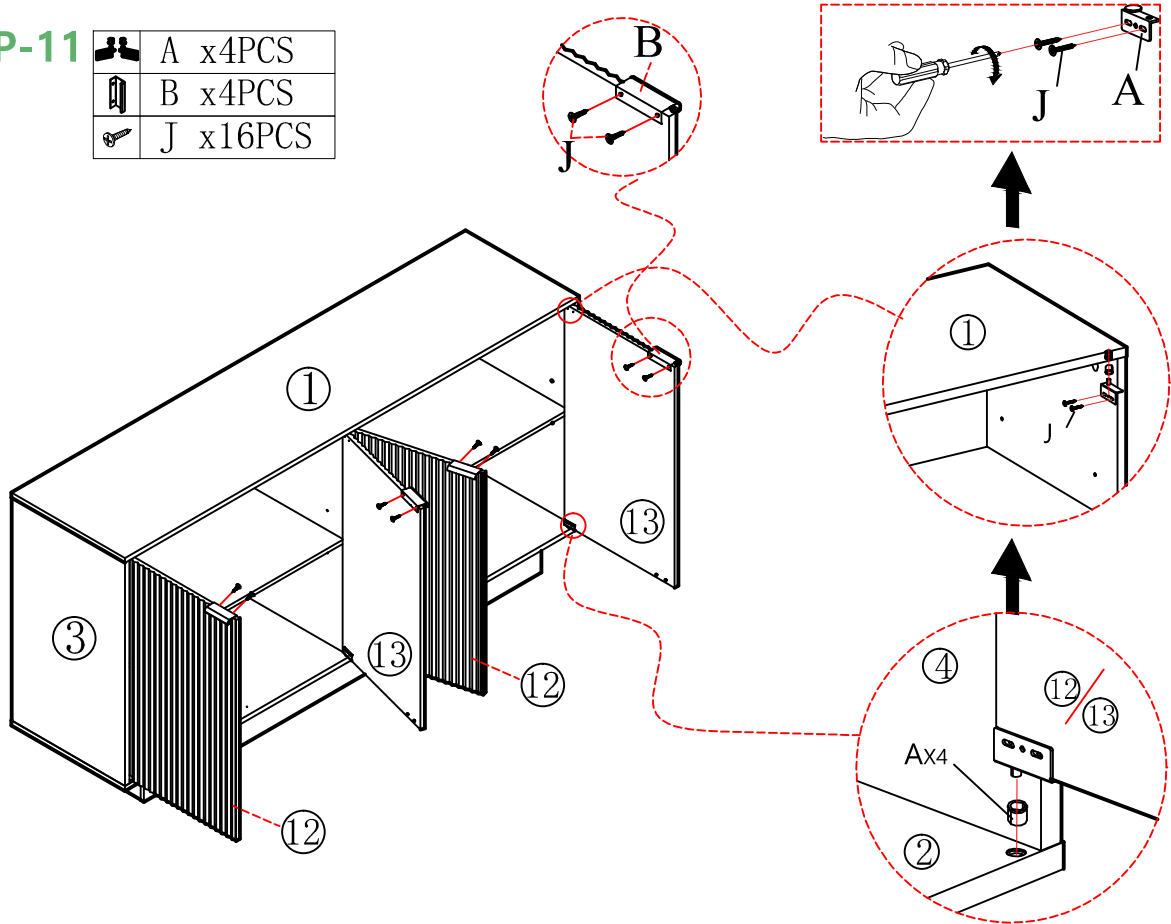
## STEP-10 C x4PCS A x4PCS J x16PCS






# STEPS






## STEP-11

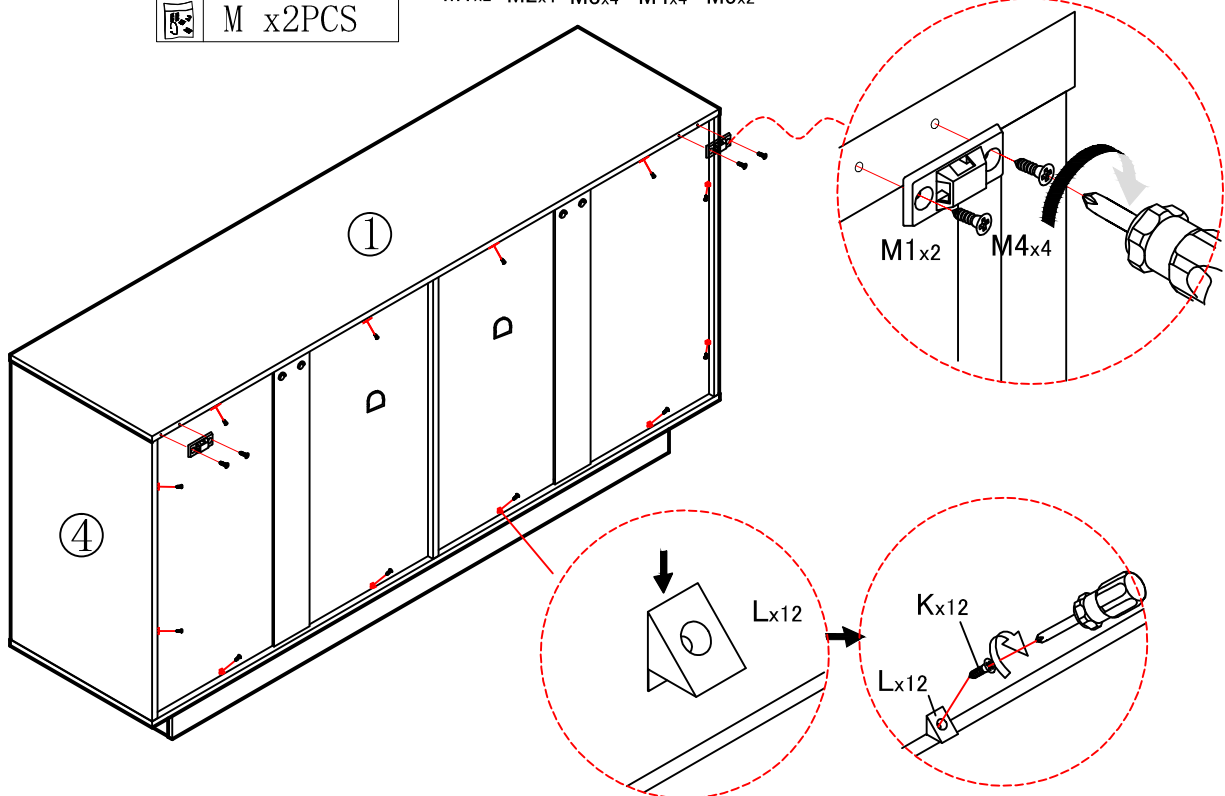
	A x4PCS
	B x4PCS
	J x16PCS



## STEP-12

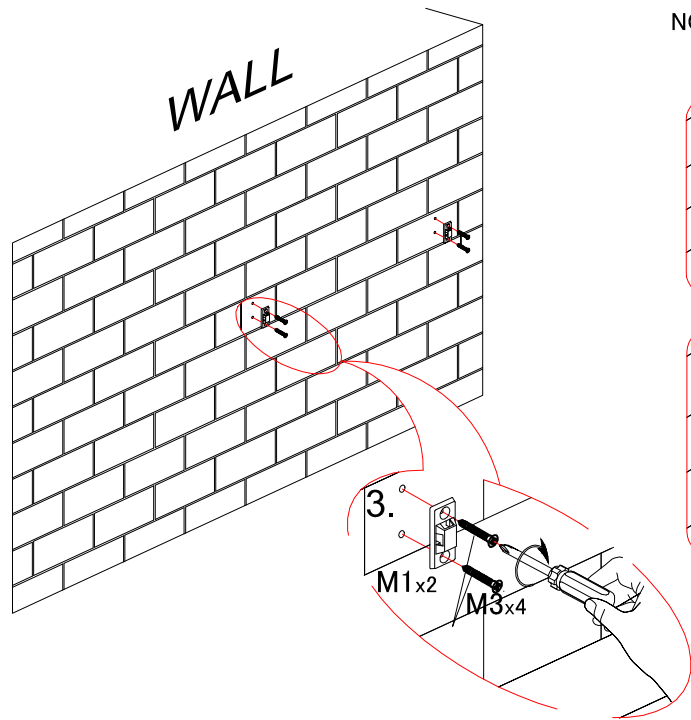
	L x12PCS
	K x12PCS
	M x2PCS

 M1x2
  M2x4
  M3x4
  M4x4
  M5x2

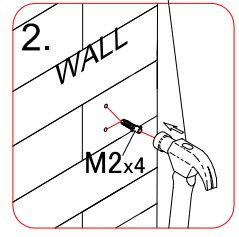
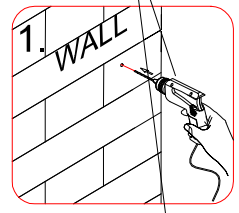


# STEPS

## STEP-13 M x2PCS



NOT PROVIDED



## STEP-14 M x2PCS

