

NOTICE

- * Please make sure that you have all parts indicated and they are in good condition before you begin assembly of this item. Refer to part list and hardware list below for guidance.
- * This item should be assembled on a soft surface to prevent scratching the finish during assembly.
- * This item may require periodic tightening.
- * If you are having difficulty, our friendly Customer Care team is always here to help. Please email customersupport@safavieh.com

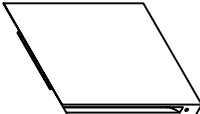
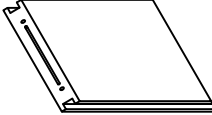
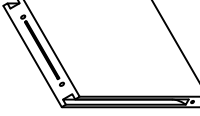
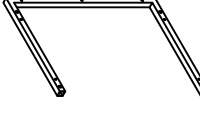
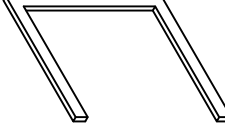
PREPARATION

- * Before beginning assembly of product, make sure all parts are present. Compare parts with part contents list and hardware contents list.
- * If any part is missing or damaged, do not attempt to assemble the product.
- * Estimated Assembly Time: 30 minutes.
- * Tools Required for Assembly : L Key (included), Phillips Screwdriver (not included)

CARE AND MAINTENANCE

Adhesive felt pads should always be applied to areas of furniture which make direct contact with flooring, said application will prevent damage to the furniture and or surfaces on which the furniture lies. Objects placed on articles of furniture should rest on non abrasive material as to prevent damage to the wood finish. Wipe up spills immediately and avoid common hazards such as hot dishes, harsh solvents and abrasives. Cleaning should be done with a soft lint free cotton cloth dampened with water or furniture polish.

Part List and Hardware List

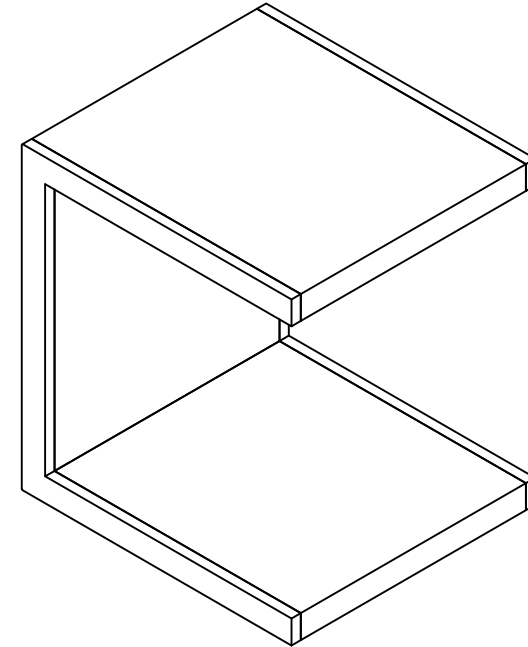
PIECE	DESCRIPTION	PICTURE	QUANTITY
A	TOP ASSEMBLY		1X
B	SIDE ASSEMBLY		1X
C	BASE ASSEMBLY		1X
D	METAL FRAME		2X
E	COVER ASSEMBLY		2X

SAFAVIEH

COOUTURE

Model# SFV1317

Product Dimensions: 20 1/2"W x 18 1/2"D x 22 3/4"H



WARNING





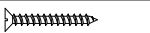




WEIGHT CAPACITY: 50 LBS

WARNING: DO NOT STAND ON THE TABLE

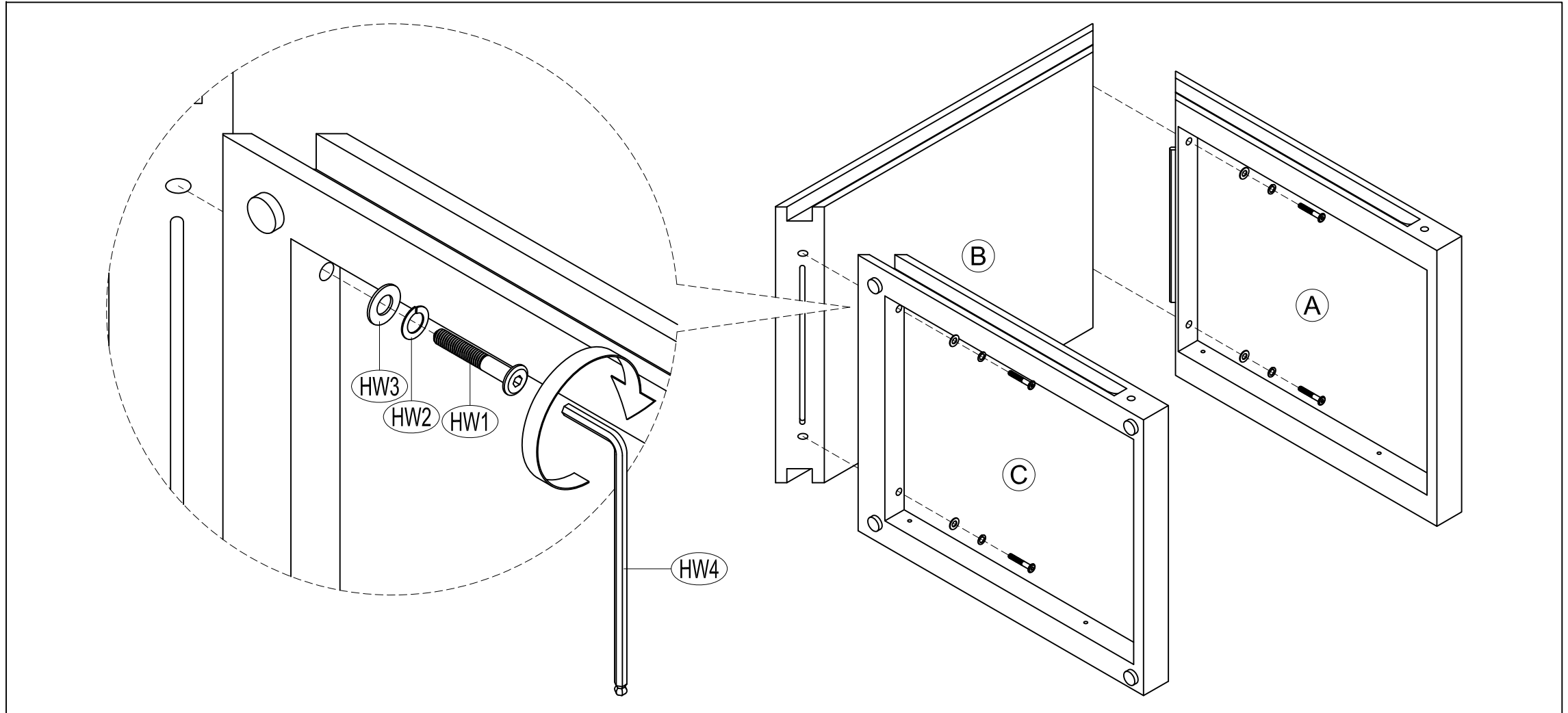
WARNING: DO NOT OVER TORQUE BOLTS

Part List and Hardware List

PIECE	DESCRIPTION	PICTURE	QUANTITY
HW1	BOLT 6 x 1 x 45 MM		4X
HW2	SPRING WASHER Ø13 x 1 MM		4X
HW3	FLAT WASHER Ø16 x 1 MM		4X
HW4	L KEY		1X
HW5	ROUND HEAD SCREW 4 x 1 x 51 MM		8X
HW6	FLAT HEAD SCREW 3 x 1 x 32 MM		14X
HW7	DOWEL		4X

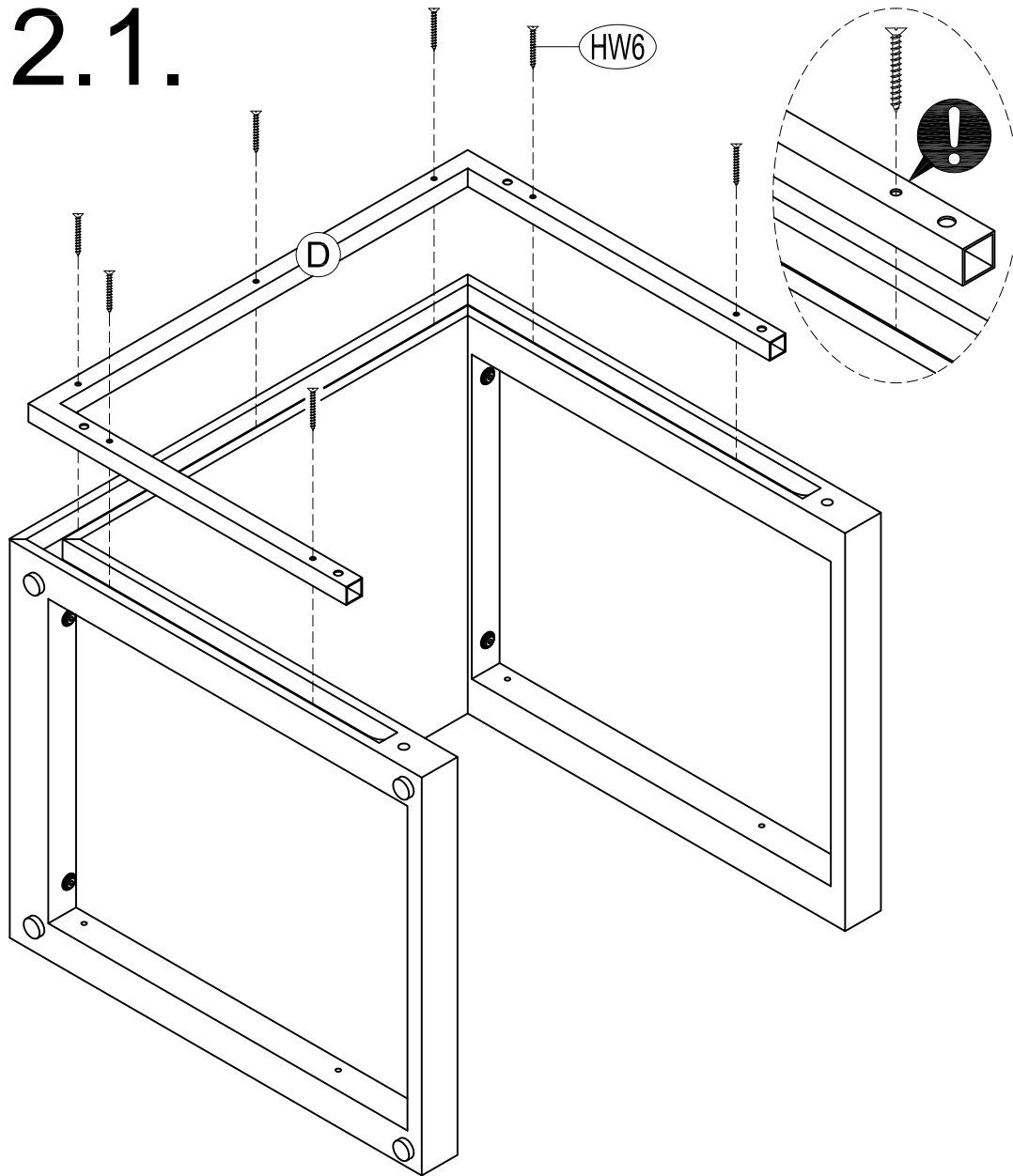
PREPARATION

- * Before beginning assembly of product, make sure all parts are present. Compare parts with part contents list and hardware contents list.
- * If any part is missing or damaged, do not attempt to assemble the product.
- * Estimated Assembly Time: 30 minutes.
- * Tools Required for Assembly : L Key (included), Phillips Screwdriver (not included)
- * If you are having difficulty, our friendly Customer Care team is always here to help. Please email customersupport@safavieh.com

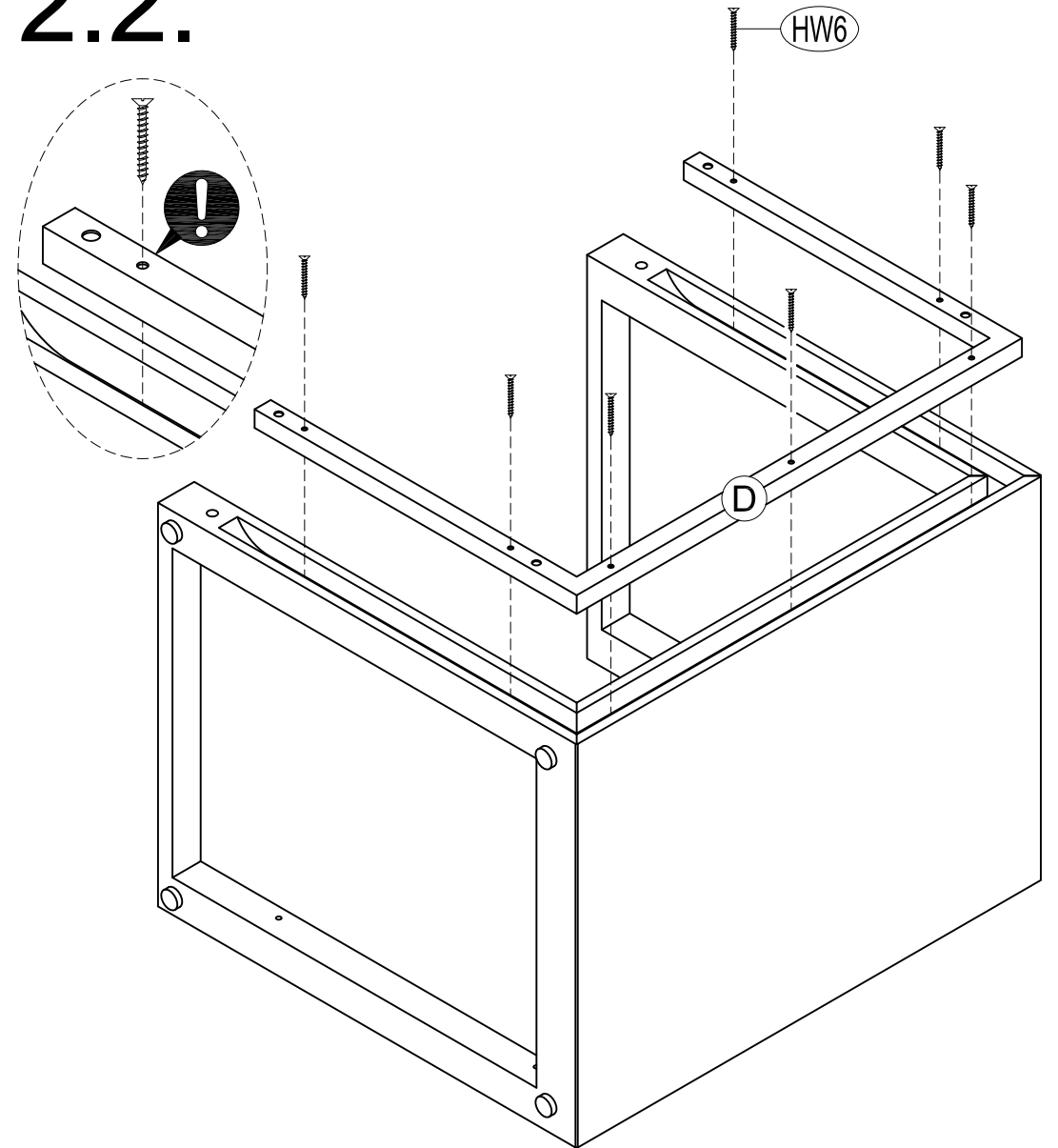


STEP 1 PLACE THE SPRING WASHERS (HW2) AND FLAT WASHERS (HW3) ON THE BOLTS (HW1) AS SHOWN. ATTACH THE TOP AND BASE ASSEMBLIES (A&C) TO THE SIDE ASSEMBLY (B) BY USING THE L KEY (HW4) TO SCREW IN THE BOLTS WITH THE WASHERS AS SHOWN.

2.1.

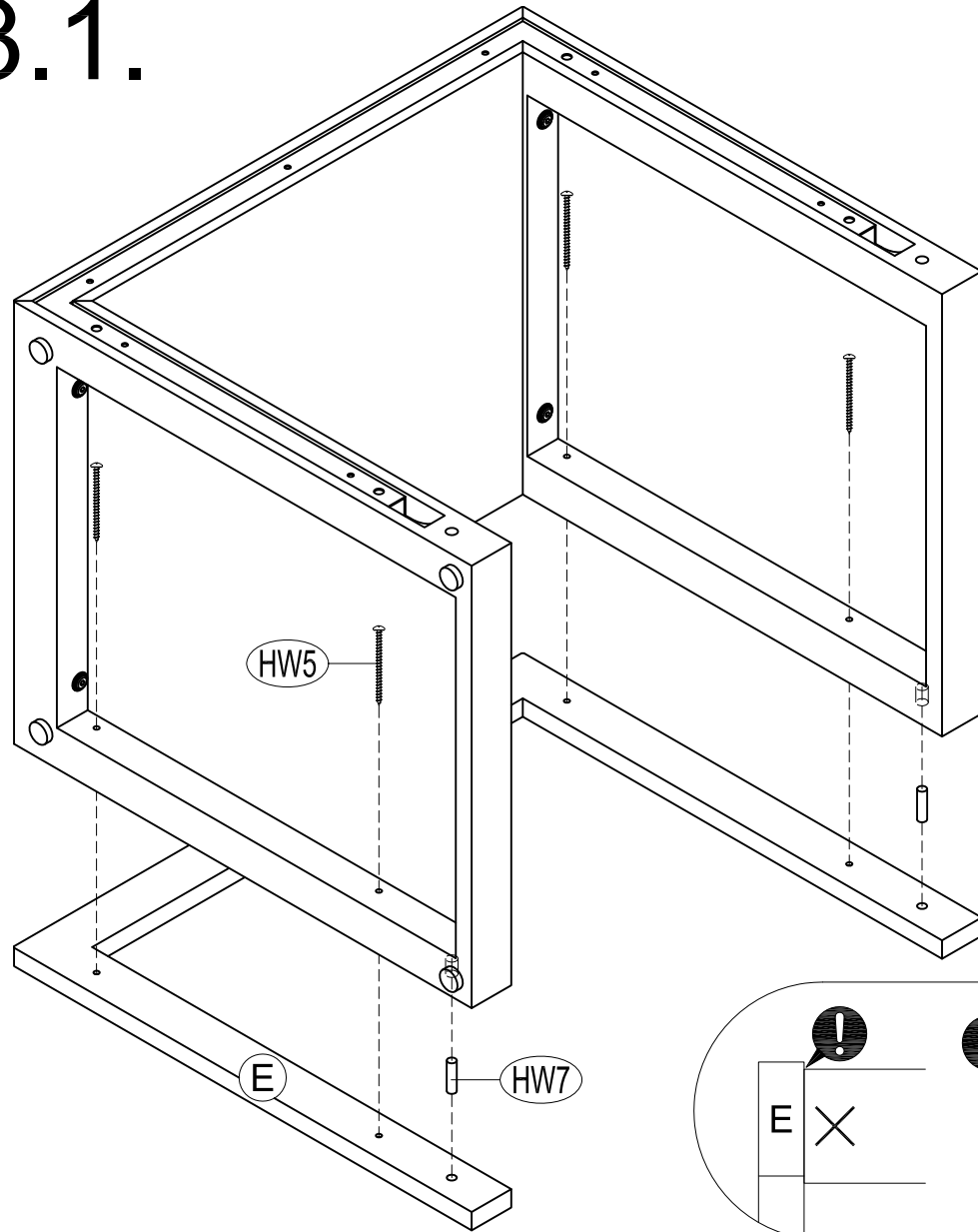


2.2.

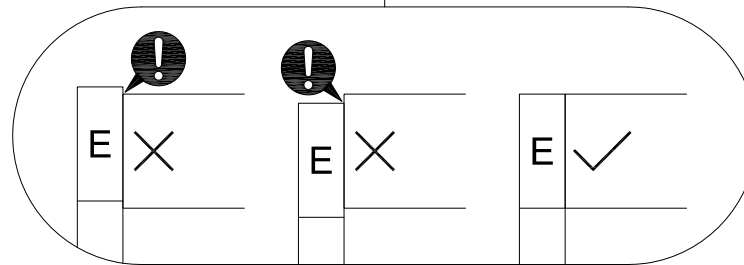
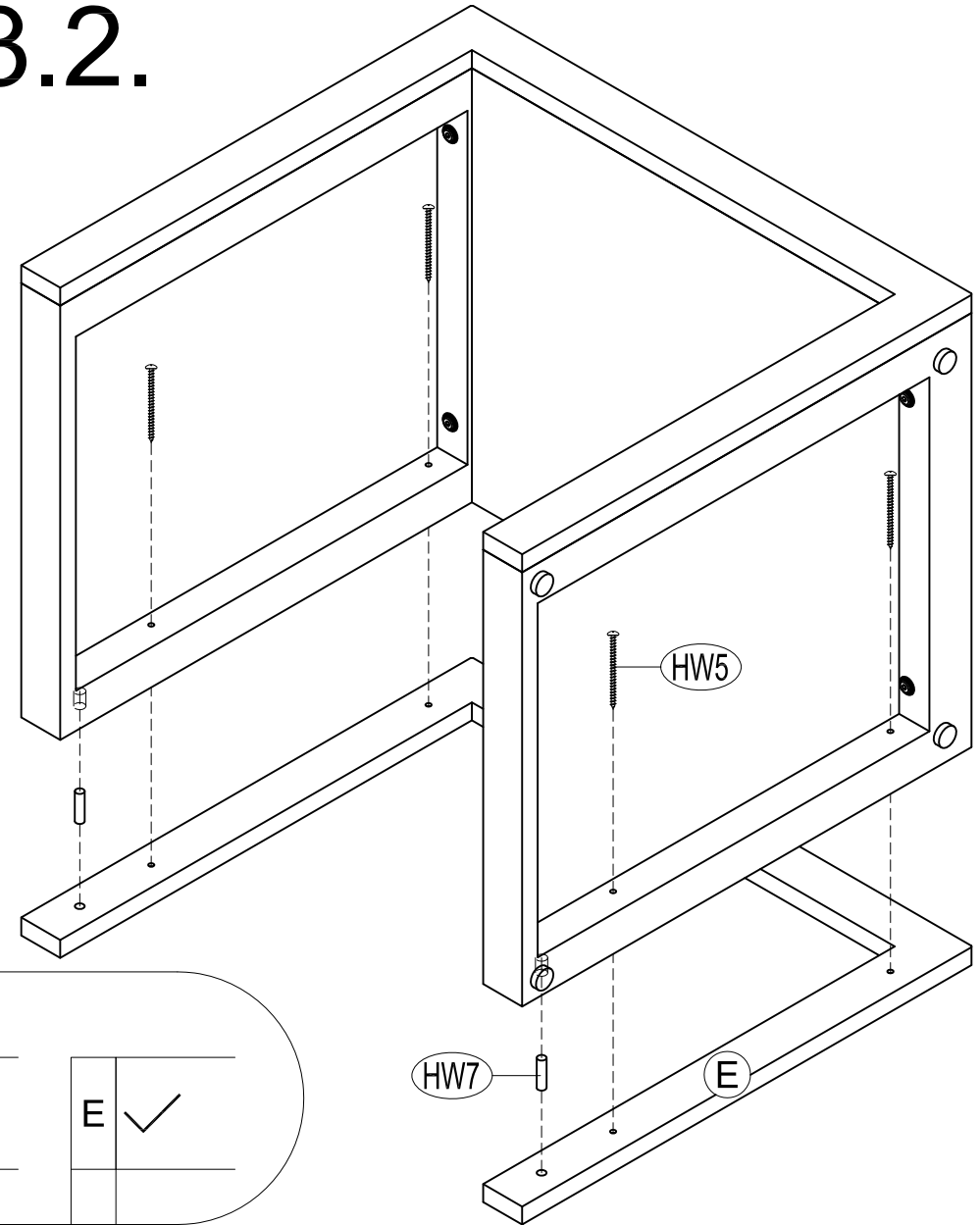


STEP 2 ATTACH THE METAL FRAME (D) TO THE ASSEMBLED TABLE BY USING A PHILIPS HEAD SCREWDRIVER (NOT INCLUDED) TO SCREW IN THE SCREWS (HW6).

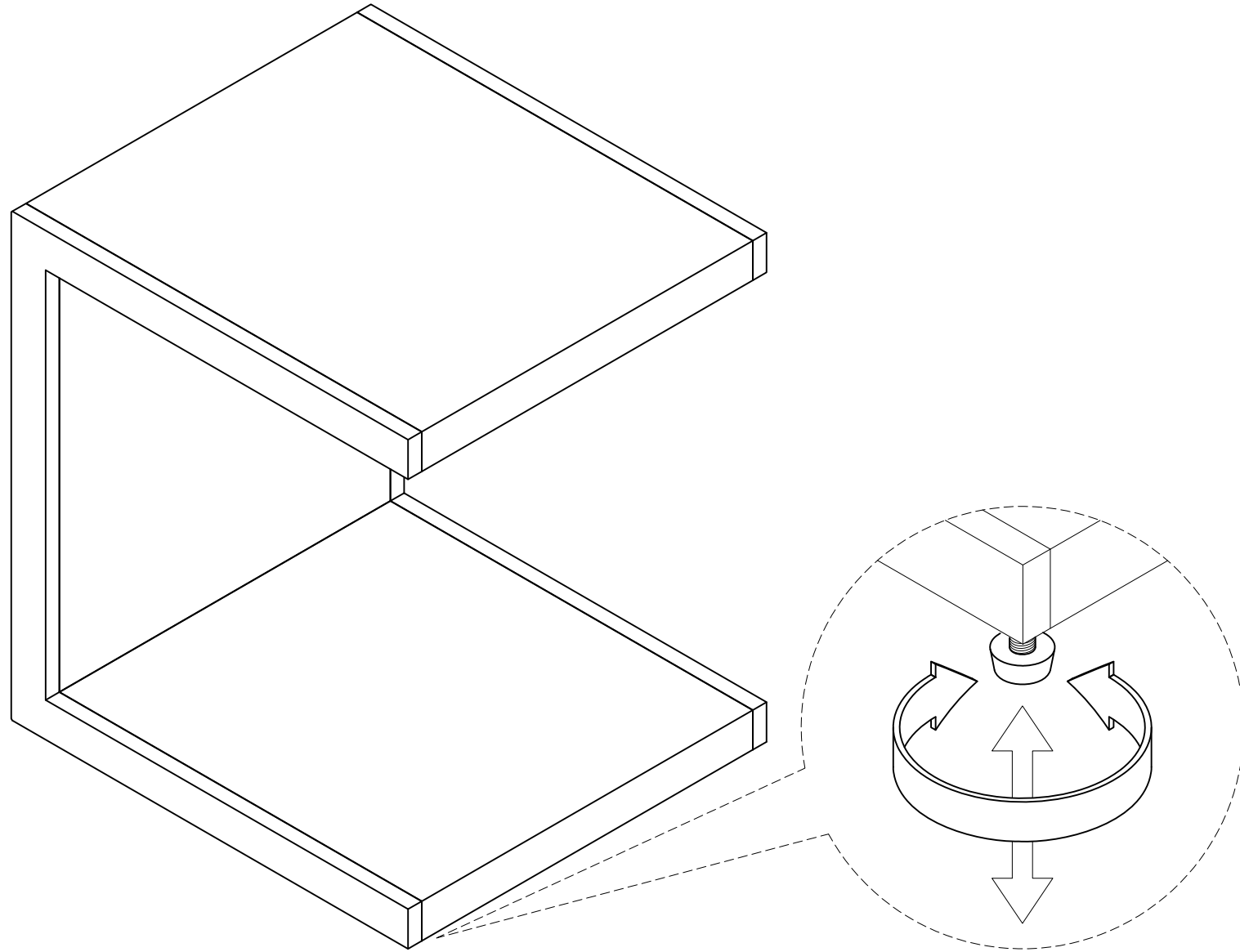
3.1.



3.2.



STEP 3 ATTACH THE COVER ASSEMBLIES (E) TO THE ASSEMBLED TABLE BY PLACING THE DOWELS (HW7) IN THE HOLES AS SHOWN. THEN USE THE PHILIPS HEAD SCREWDRIVER TO SCREW IN THE SCREWS (HW5) AS SHOWN. NOTE: MAKE SURE THE COVER ASSEMBLY (E) SURFACE IS FLUSH WITH THE UNIT SURFACE BEFORE INSTALLING THE SCREWS.



STEP 4 ADJUST THE LEVELERS ON THE BOTTOM OF THE BASE AS NEEDED.