

# ASSEMBLY INSTRUCTIONS



## CAUTION

◆ Inspect the wire insulation for any cuts, abrasions, or exposed copper that may have resulted during shipping. If there is a defect in the wire, do not attempt installation.

◆ Before starting installation of this fixture or removal of a previous fixture, disconnect the power by turning off the circuit breaker or by removing the fuse at the fuse box.

## TOOLS REQUIRED



Ladder



Safety glasses



Electrical tape



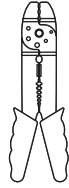
Phillips screwdriver



Flat blade screwdriver



Pliers



Wire strippers

## HARDWARE INCLUDED



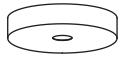
Fixture



Iron Rack



Chain



Canopy



Screw Collar Ring



Mounting Unit



Ball Nuts



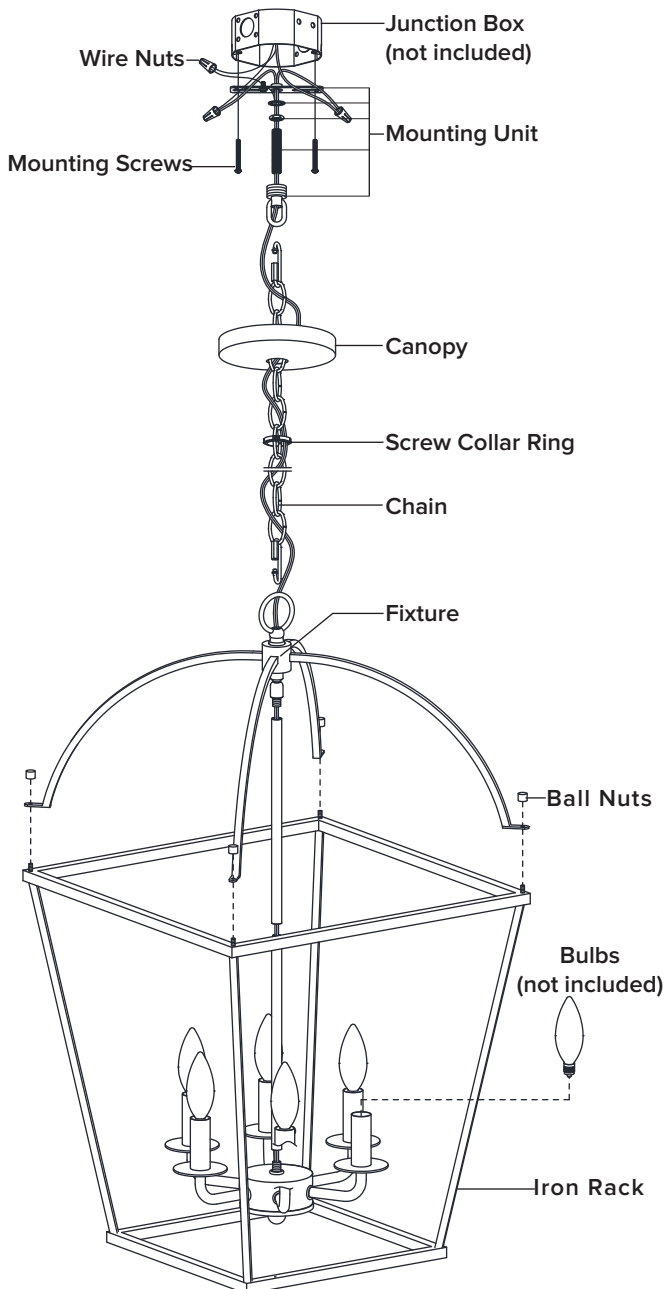
Mounting Screws



Wire Nuts

\* PARTS SHOWN MAY DIFFER SLIGHTLY PER LIGHT FIXTURE

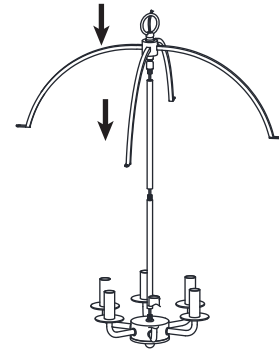
## EXPLODED PARTS



## INSTALLATION

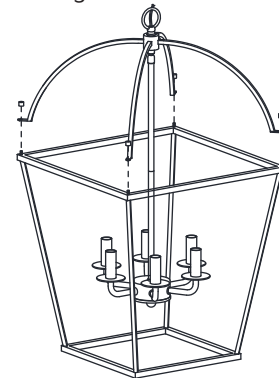
### STEP 1

Install fixture.



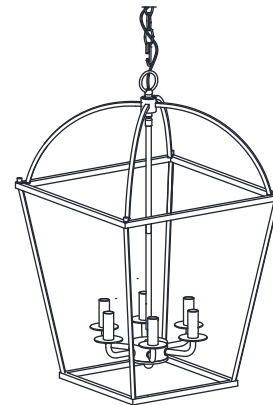
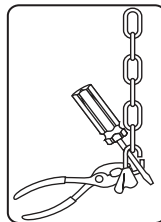
### STEP 2

Attach the iron rack onto fixture using ball nuts.



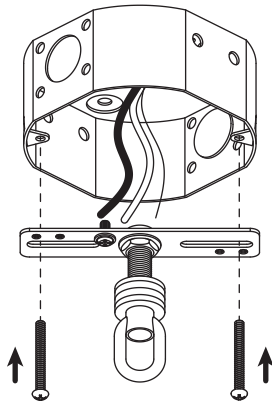
### STEP 3

1. Choose the length of the **chain** you need (Open the chain using a phillips screwdriver (not included) and pliers (not included)).
2. Attach the end of the **chain** to the loop on the **fixture**.



### STEP 4

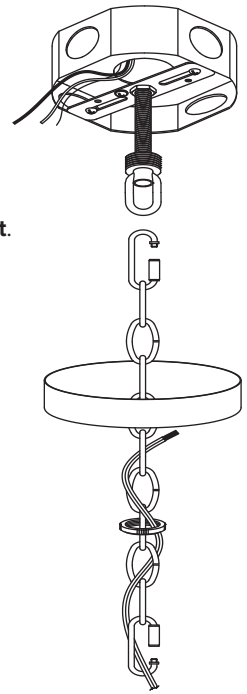
Use the **mounting screws** to attach the **mounting unit** to the **junction box** (not included).



\*junction box  
(not included)

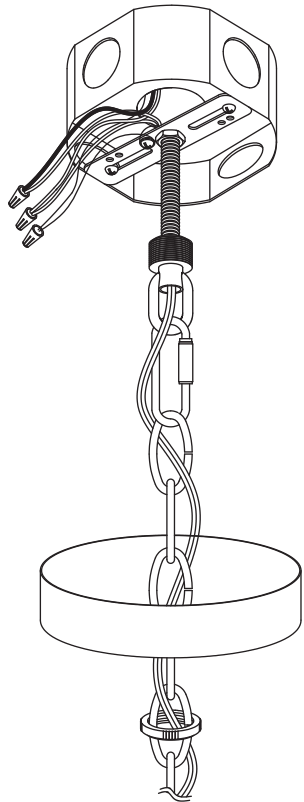
### STEP 5

1. Pass the **chain** and the branch wires through the **screw collar ring** and **canopy**.
2. Attach the end of the **chain** to the **mounting unit**.
3. Feed the branch wires through the pipe nipple on the **mounting unit**.



### STEP 6

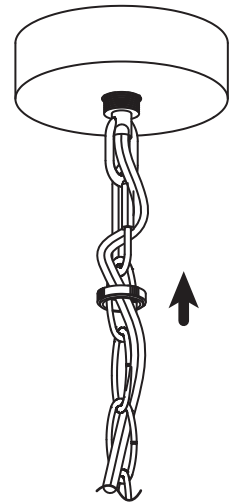
Make the electrical connection from the junction box (not included) to the **fixture**. Connect the ground wire to the **mounting unit** using the preinstalled green ground screw. Next, connect the live wire, neutral wire and ground wires with the supplied **wire nuts**. Secure with electrical tape.



\*junction box  
(not included)

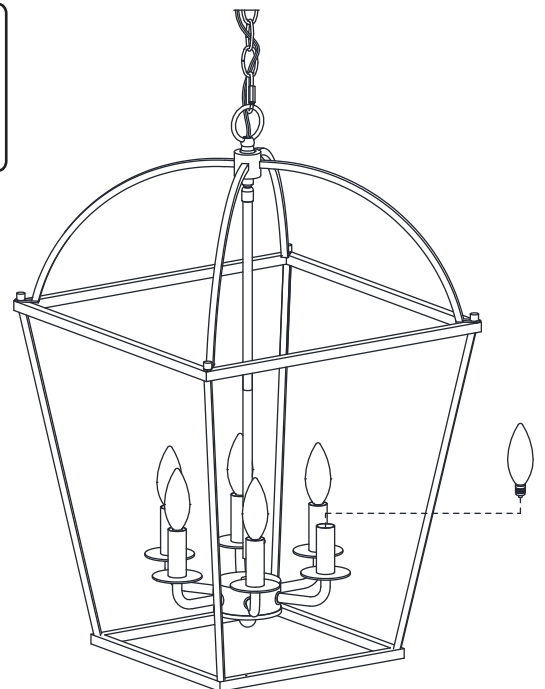
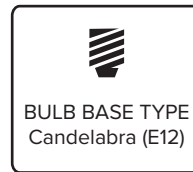
### STEP 7

Secure the **canopy** to the **mounting unit** with the **screw collar ring**.



### STEP 8

Install bulbs (not included)



Black or Red wire (live wire) from the junction box		Smooth side of wire from the fixture identified with the label "L"
White wire (neutral wire) from the junction box		Ribbed side of wire from the fixture identified with the label "N"
Bare or Green ground wire from the junction box		Ground wire from the Fixture

\*Green Ground Screw

\*Sealing tape  
(not included)