

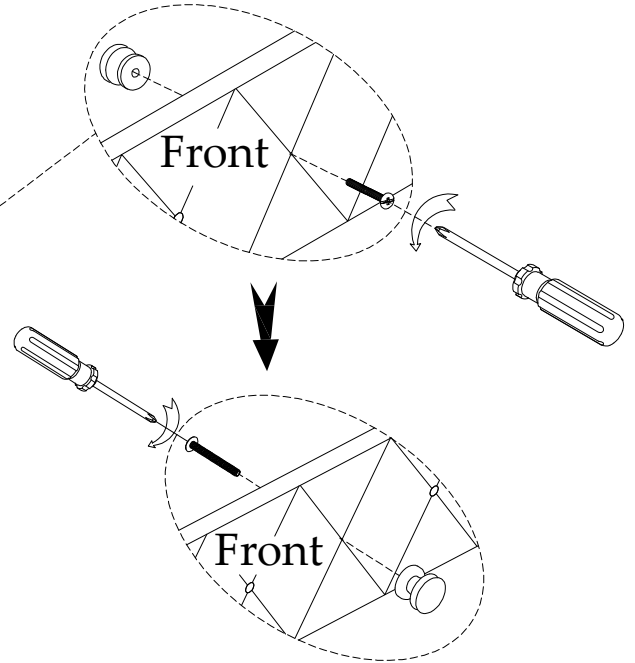
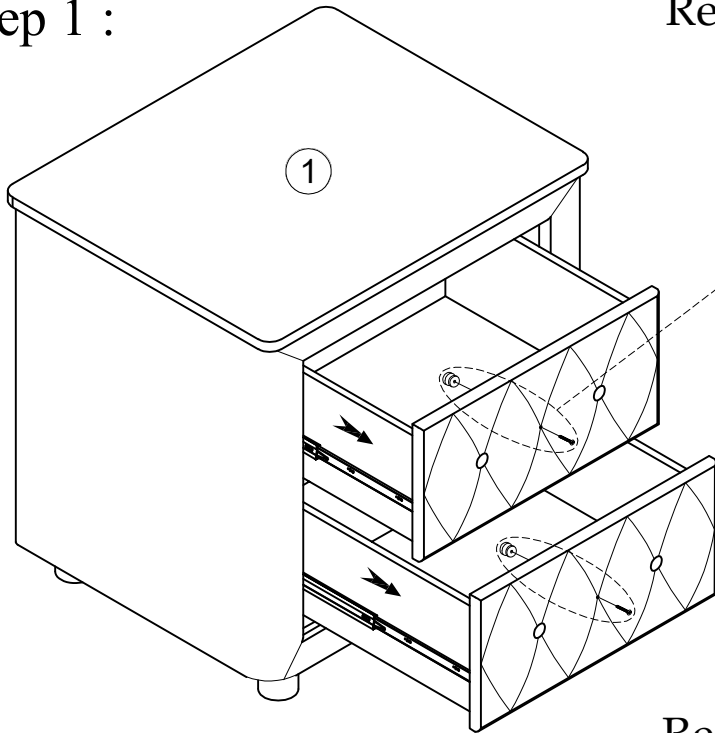
ASSEMBLY INSTRUCTION

5114-2

NIGHTSTAND

Step 1 :

Remove Knob from inside drawer



Re-attach Knob to outside of drawer

Completed

