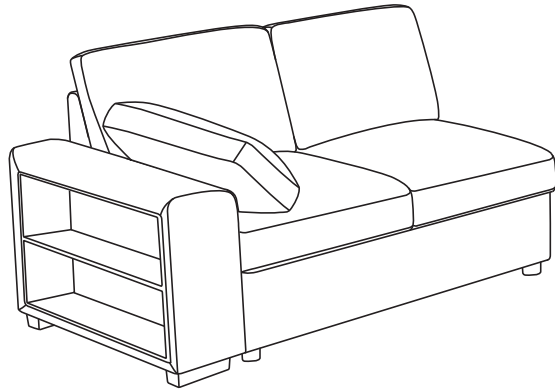
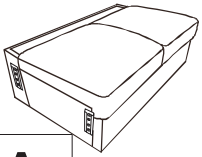


ASSEMBLY INSTRUCTION

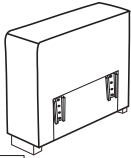


PARTS LIST



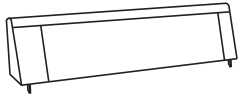
A

X1



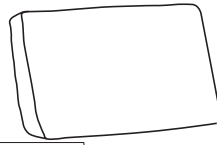
B

X1



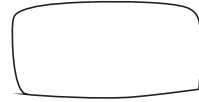
C

X1



D

X2



E

X1

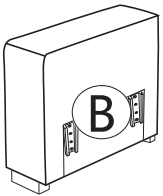
HARDWARE LIST



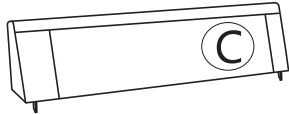
1

X4

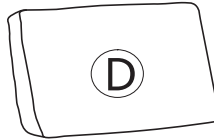
BOX-1



X1



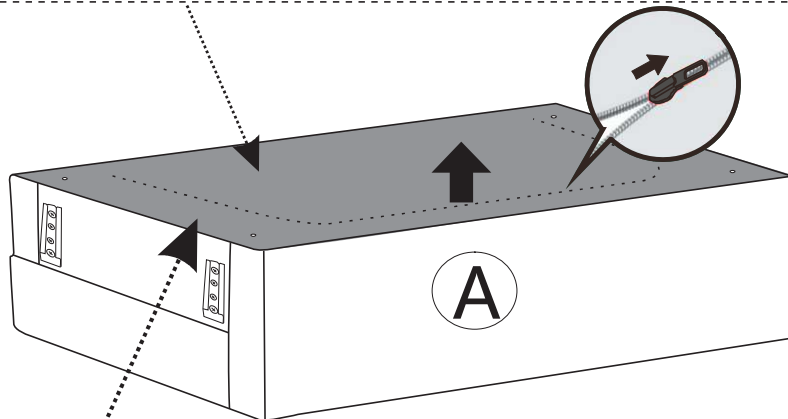
X1



X2



X1

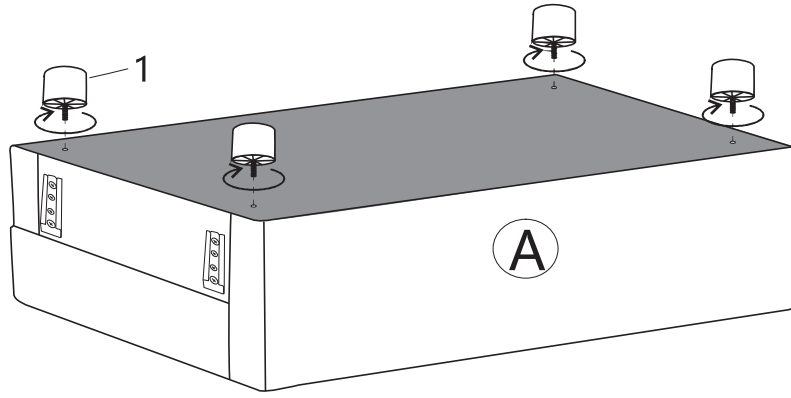


1

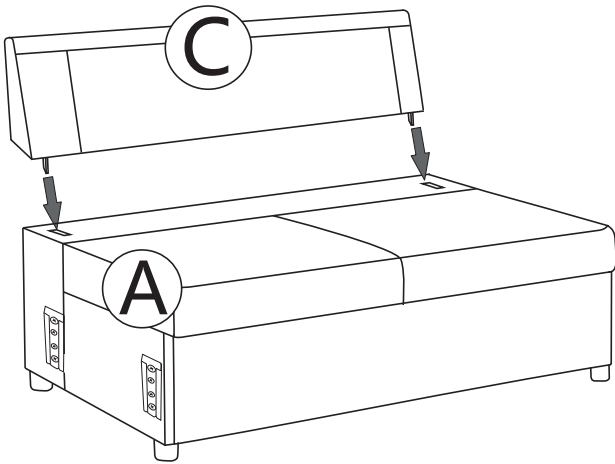


X4

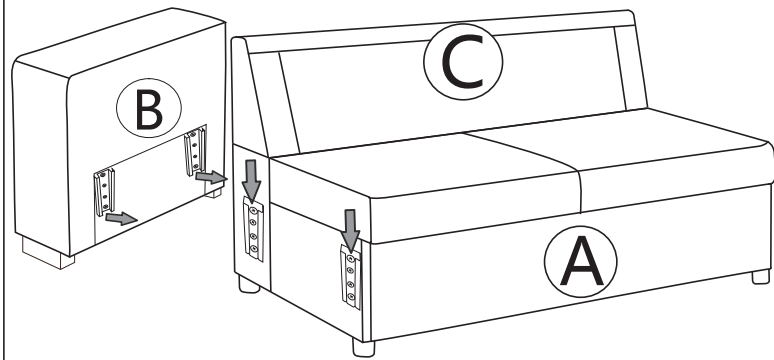
Step1



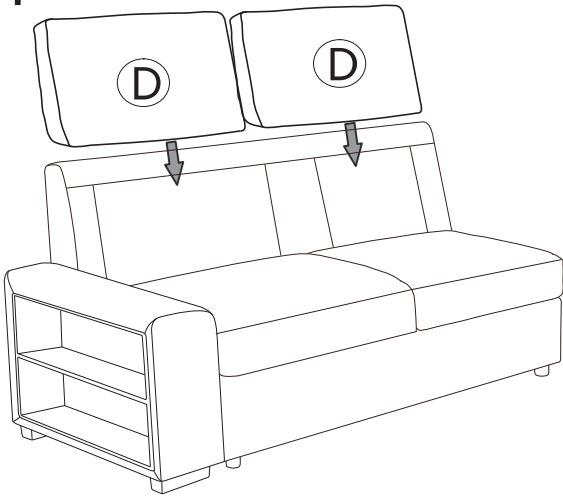
Step2



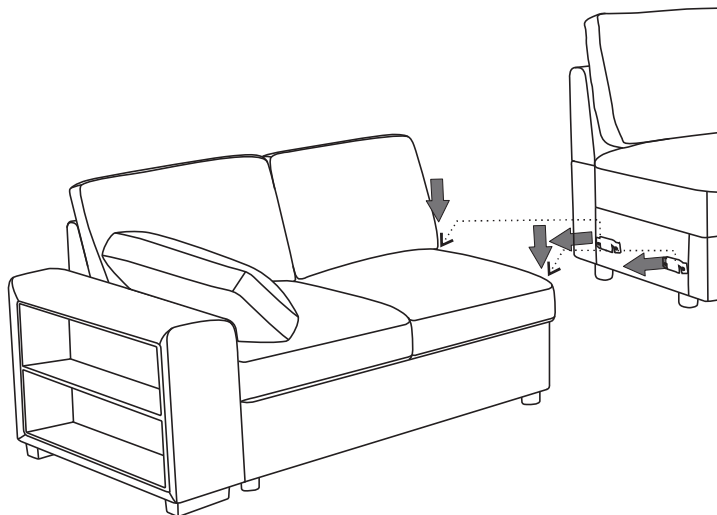
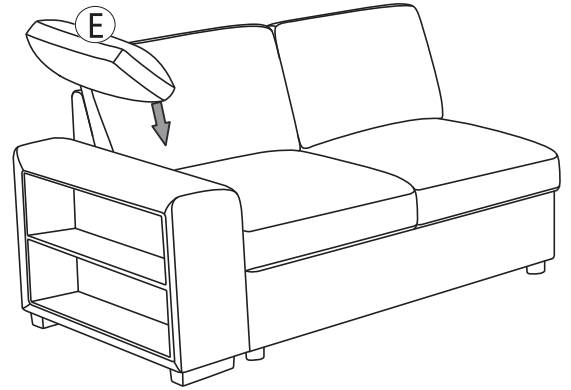
Step3



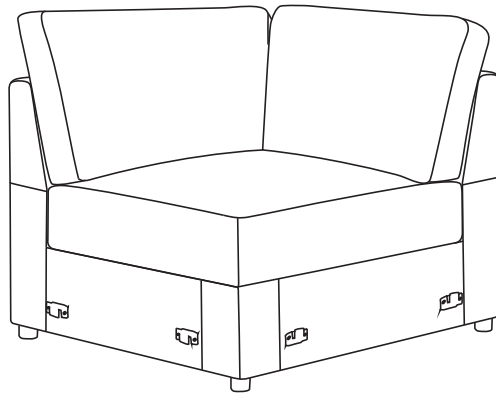
Step4



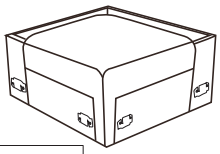
Step5



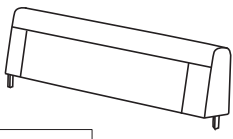
ASSEMBLY INSTRUCTION



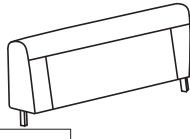
PARTS LIST



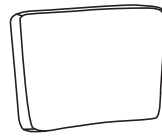
A X1



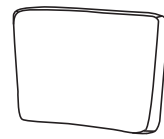
B X1



C X1



D X1

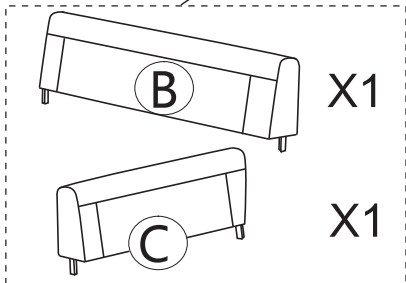
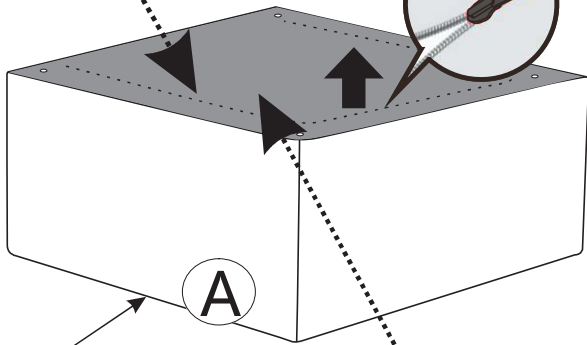


E X1

HARDWARE LIST

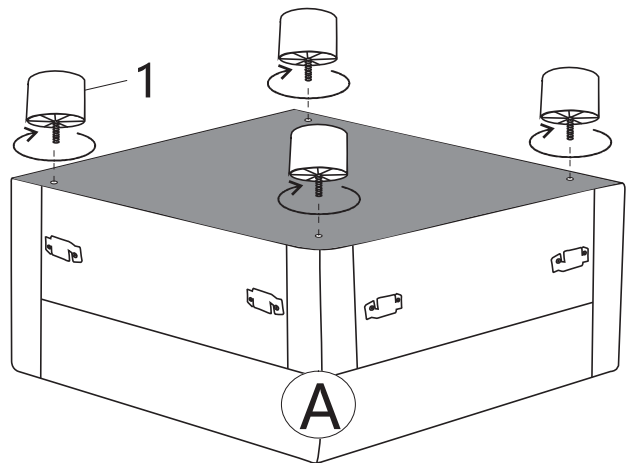


1 X4

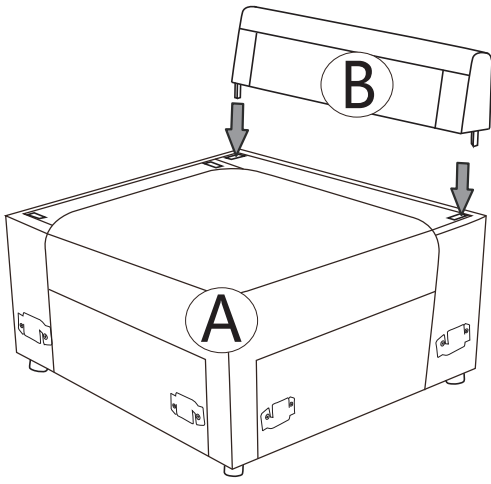


1 X4

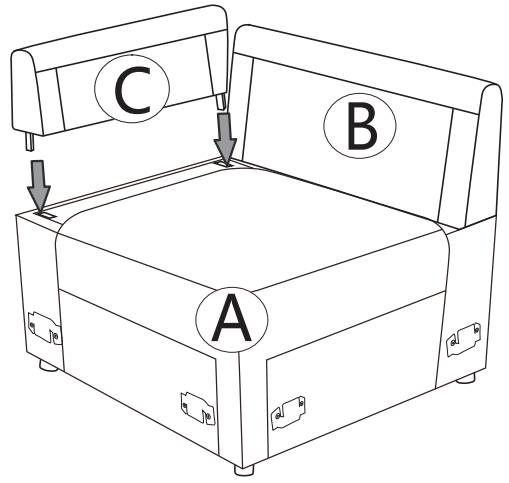
Step 1



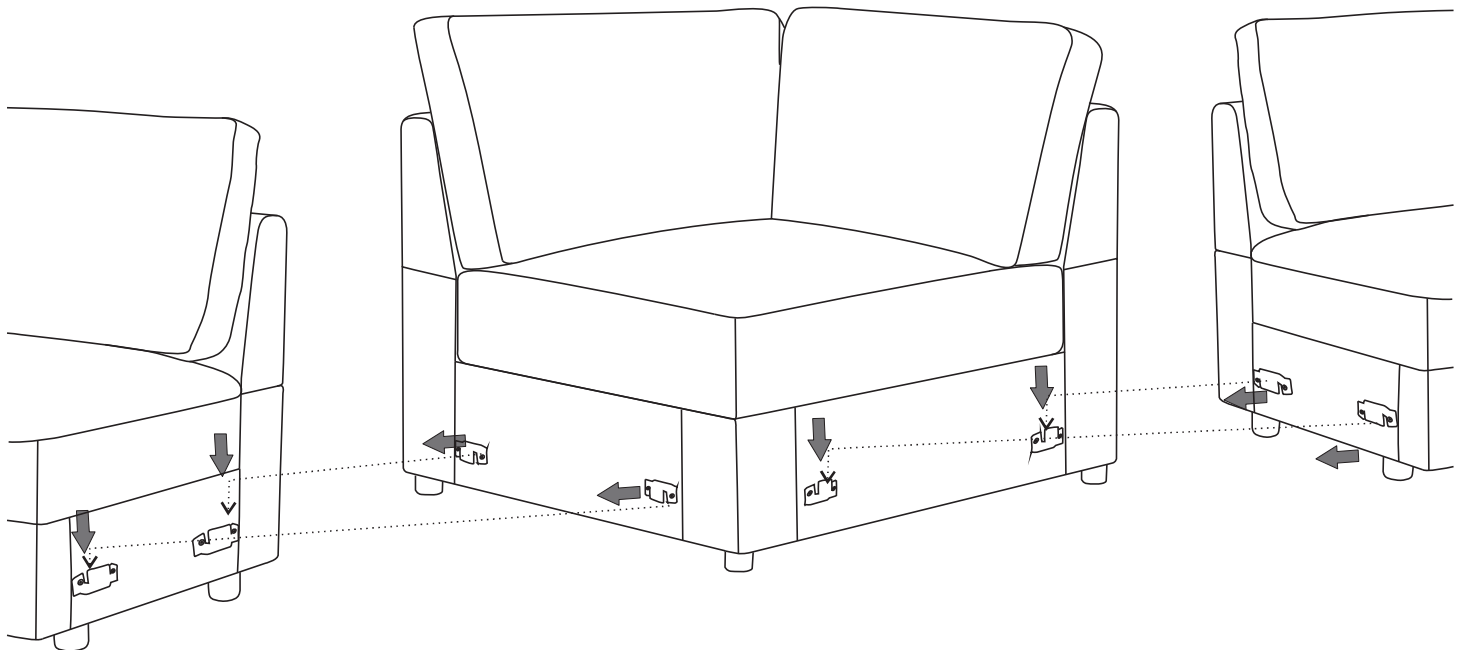
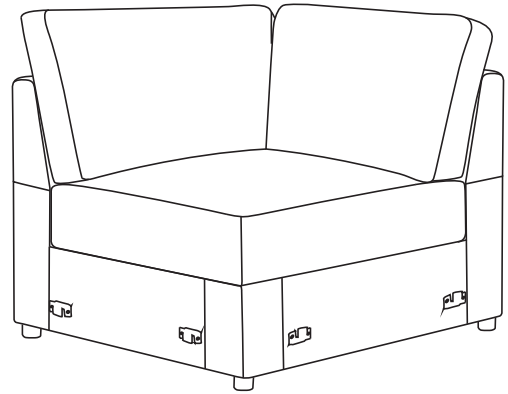
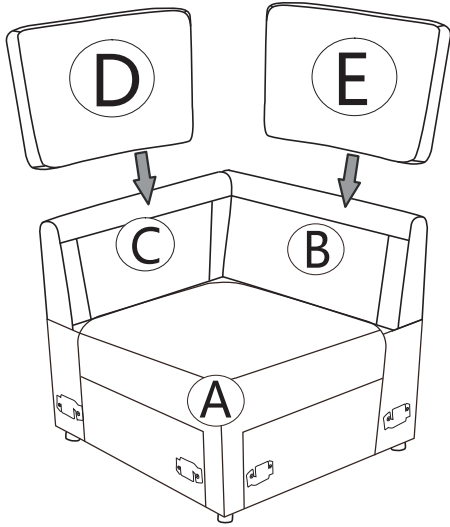
Step2



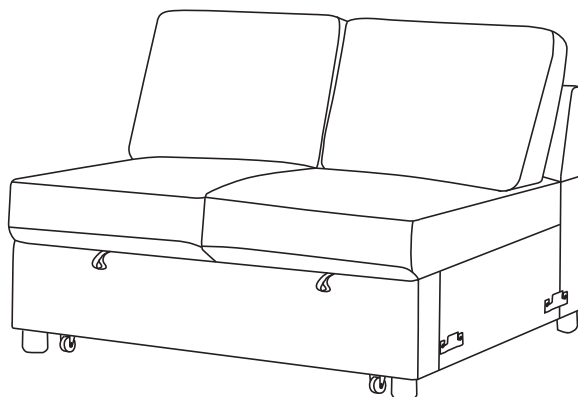
Step3



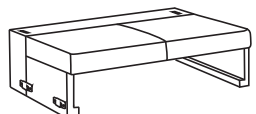
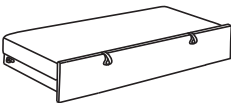
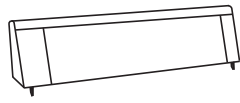
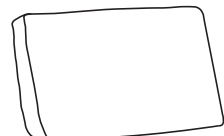
Step4



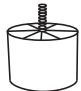

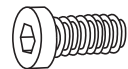

ASSEMBLY INSTRUCTION







PARTS LIST

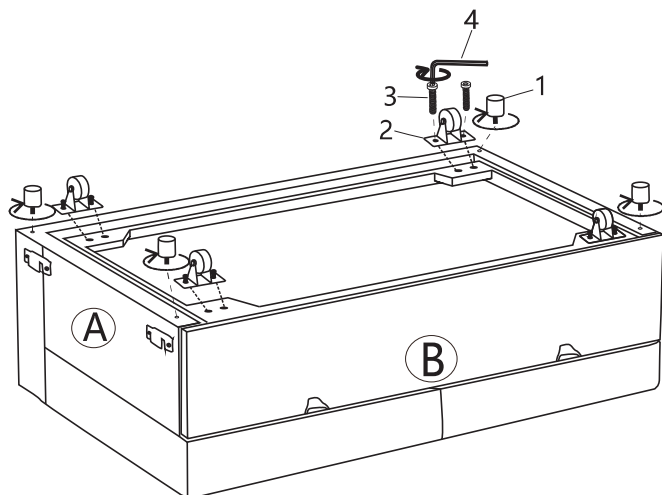
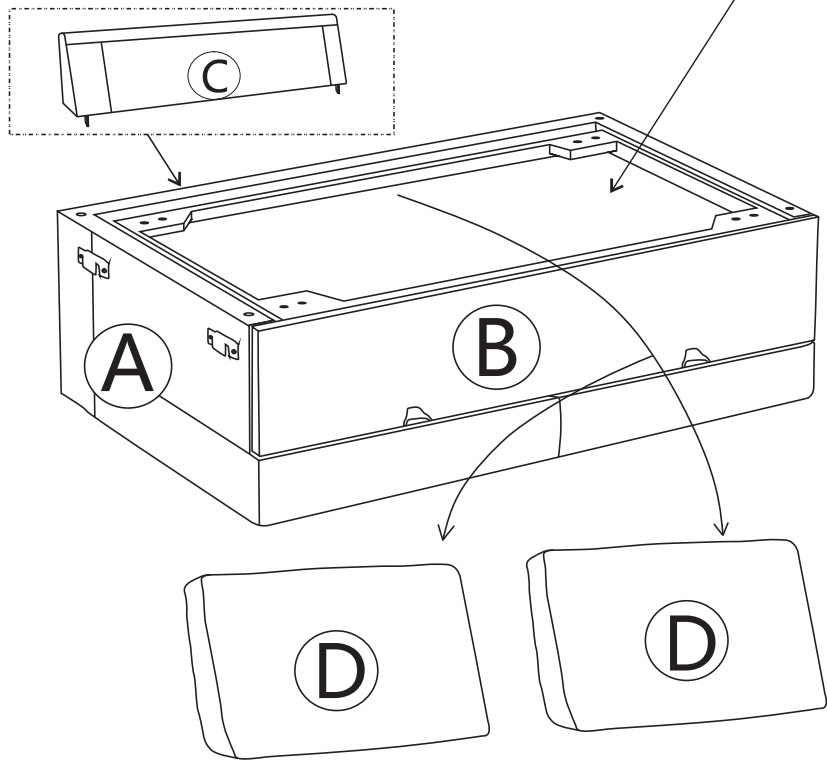
			
A	B	C	D
X1	X1	X1	X2

HARDWARE LIST

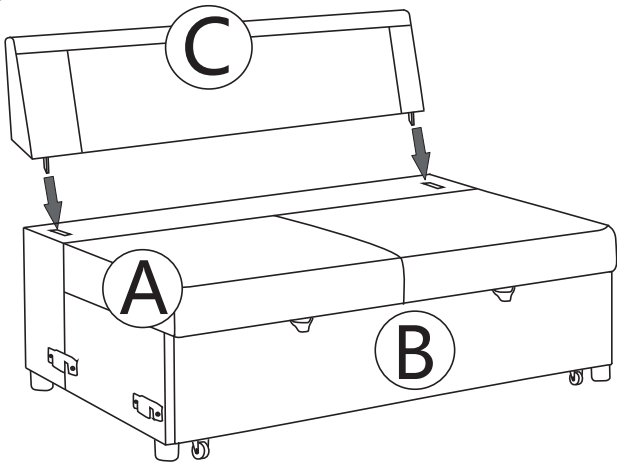
			
1	2	3	4
X4	X4	M6X25 X8	M4 X1

	X4		X8
	X4		X1

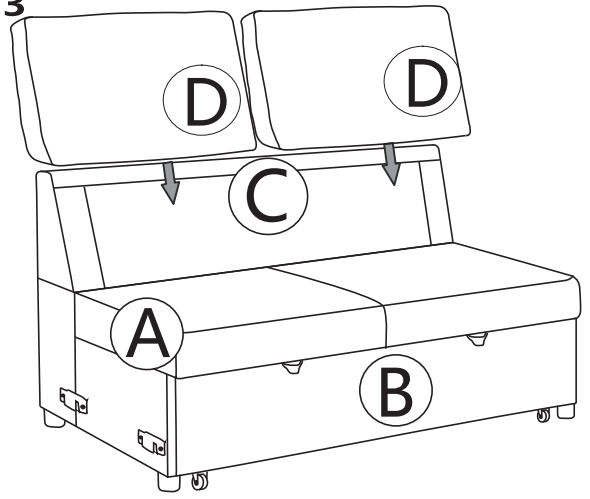
Step 1



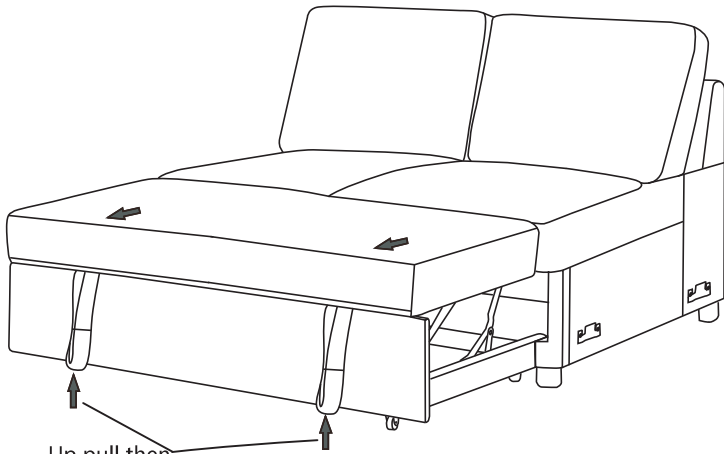
Step2



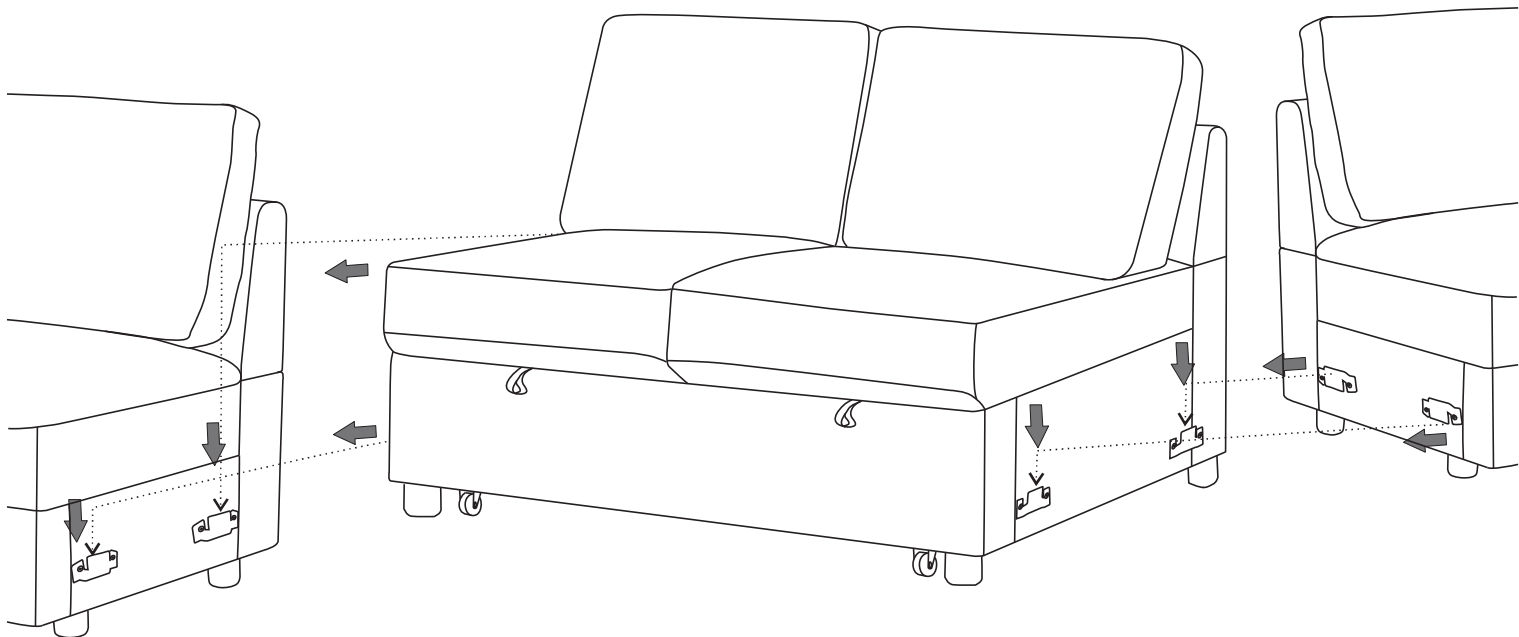
Step3



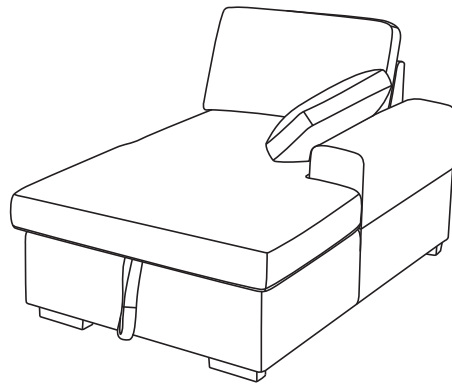
Step4



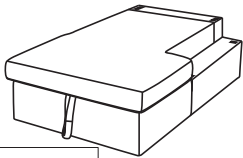
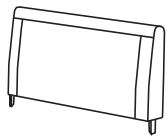
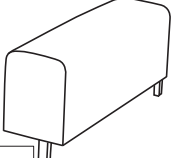

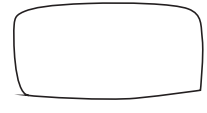
Up pull then
Forward pumping



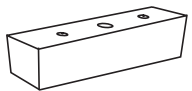
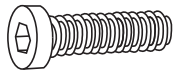



ASSEMBLY INSTRUCTION

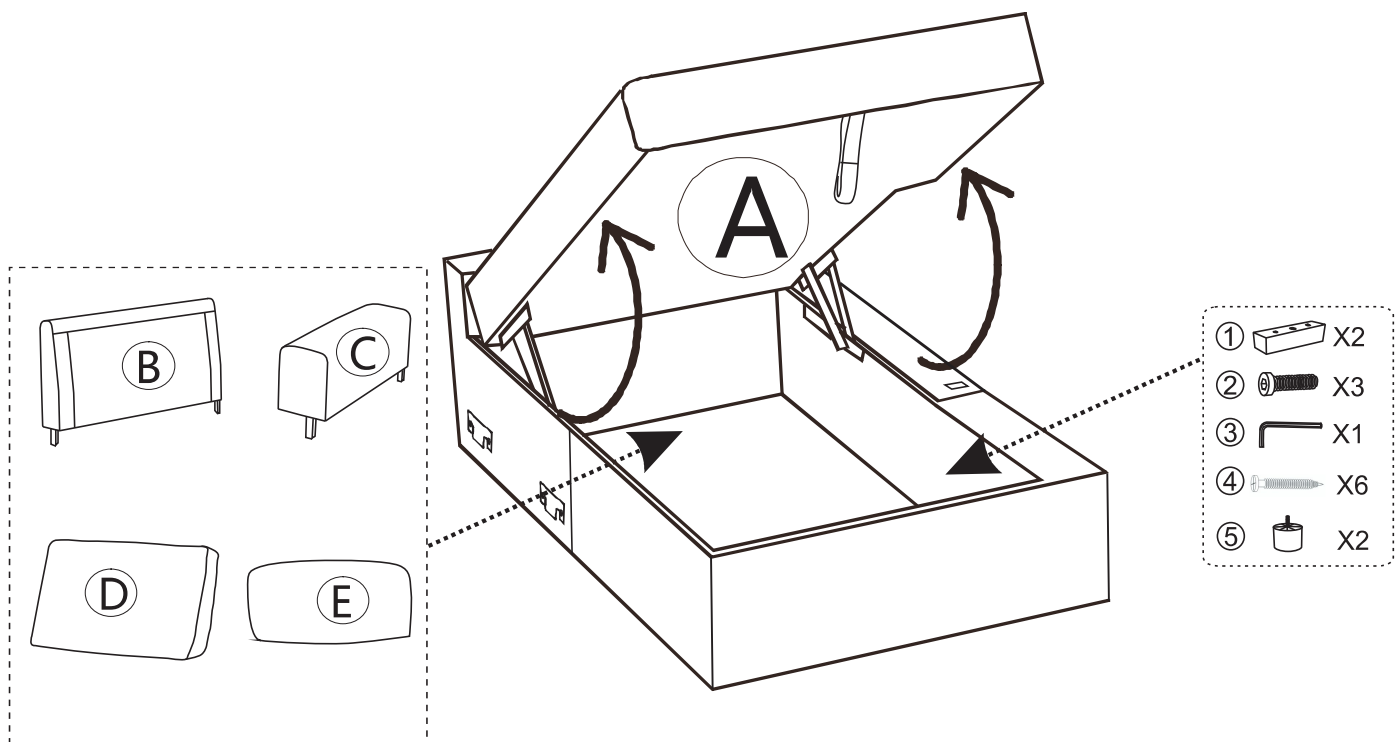


PARTS LIST

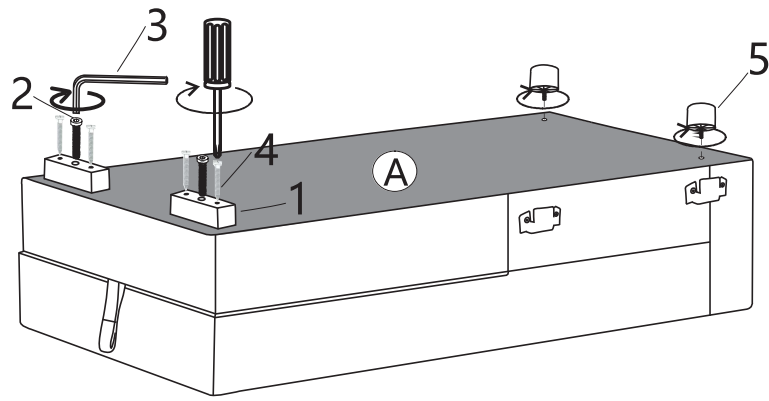
					
A	B	C	D	E	
X1	X1	X1	X1	X1	

HARDWARE LIST

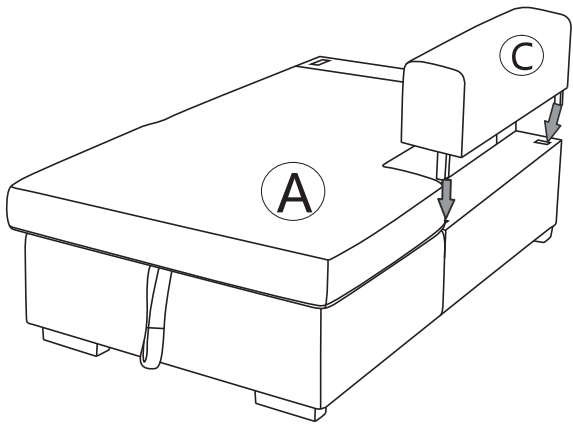
 150x60x50mm	 M8X60	 M5	 M5X50		
1	2	3	4	5	
X2	X3	X1	X6	X2	



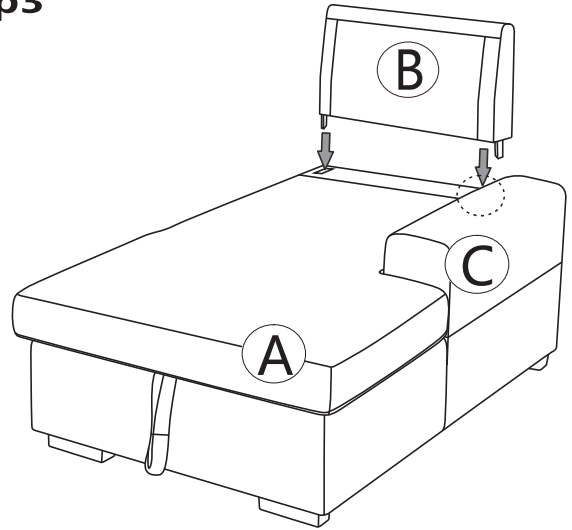
Step1



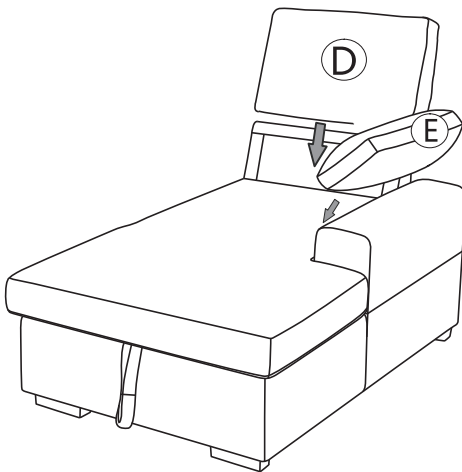
Step2



Step3



Step4



Step5

