

# 3047-BN

Parkmont



## Fixture Attributes

**Category:** Interior Wall Sconce

**Finish:** Brushed Nickel

**Body:** Steel

**Shade Finish:** Etched Opal Reeded

**Overall Size:** 5"x6.82"x14"

**Rod/Chain Length:** N/A

**Max. Height from Ceiling:** N/A

**Min. Height from Ceiling:** N/A

**Weight of fixture:** 2.54 LBS

**Certifications/Qualifications:** UL / cUL

**Smart SkyPlug Compatible:** N/A

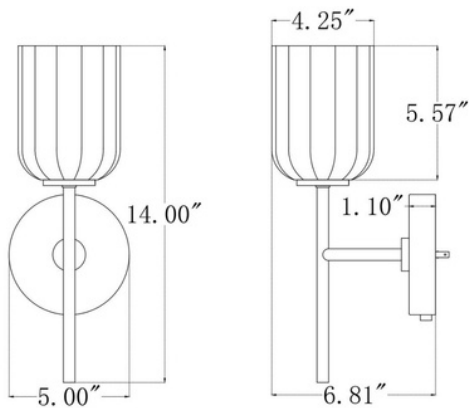
**Warranty:** [www.skyplug.com/warranty](http://www.skyplug.com/warranty)

Available  
Finishes

Brushed Nickel

Matte Black

Lacquered Brass



## Light Source

**Lamp** Not Included

**Lamp Type:** A19

**Incandescent or LED**


**Number of bulbs:** 1

**Max Wattage/Range:** 60W

**Voltage:** 120

**Socket Type:** E26 MED BASE

## Mounting / Installations

 Plug-in Mounting System

**Lead Wire Length:** 6"

**Wire Type:** 1015 105°C

**Location Rating:** Damp

**Luminaire Support:** Max. 50 lbs

**SkyPlug:** SPU-3L

**SkyOutlet:** SR-3L



**Project:** \_\_\_\_\_

**Company:** \_\_\_\_\_

**Location:** \_\_\_\_\_

**Approved:** \_\_\_\_\_

**Notes:**