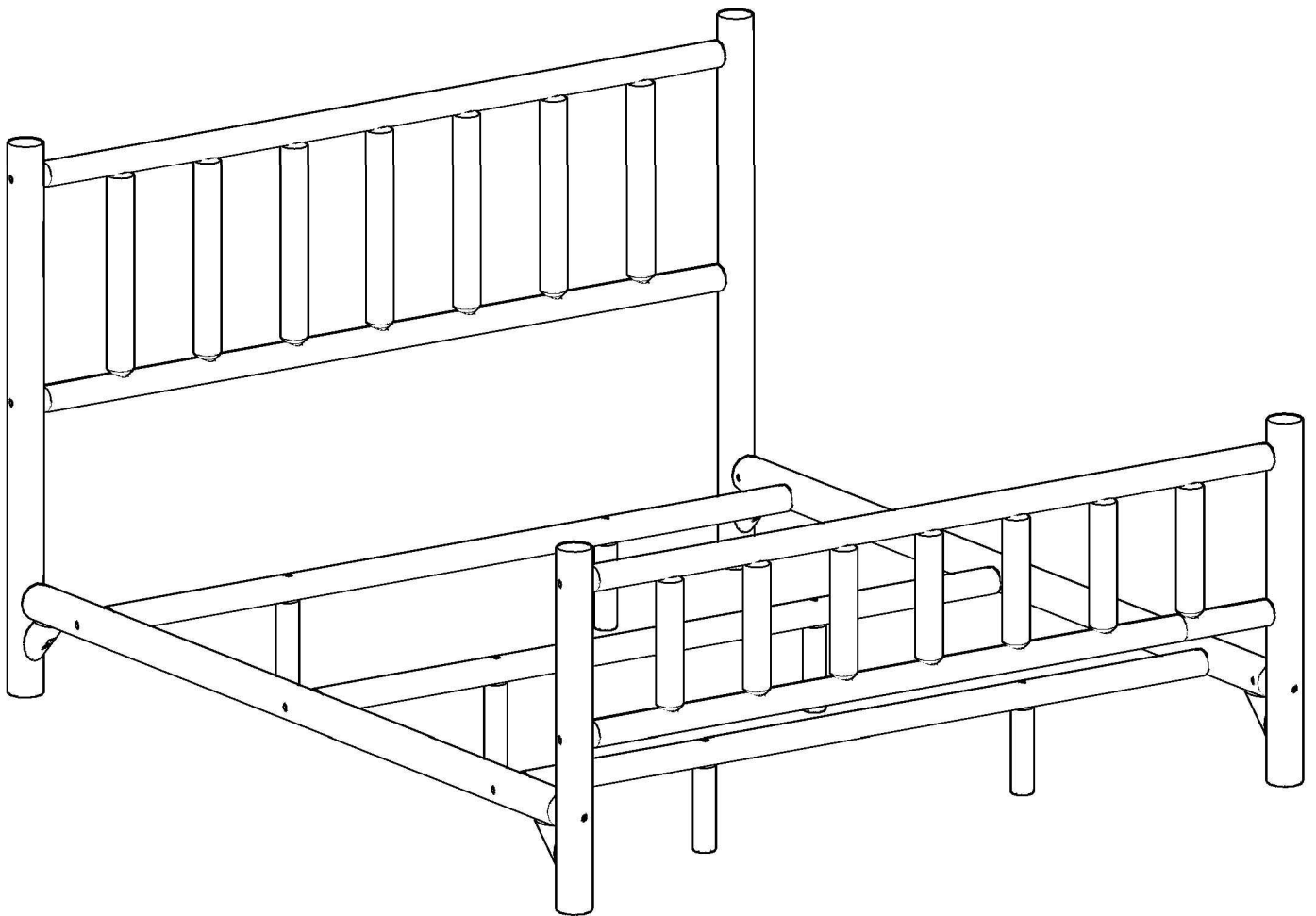
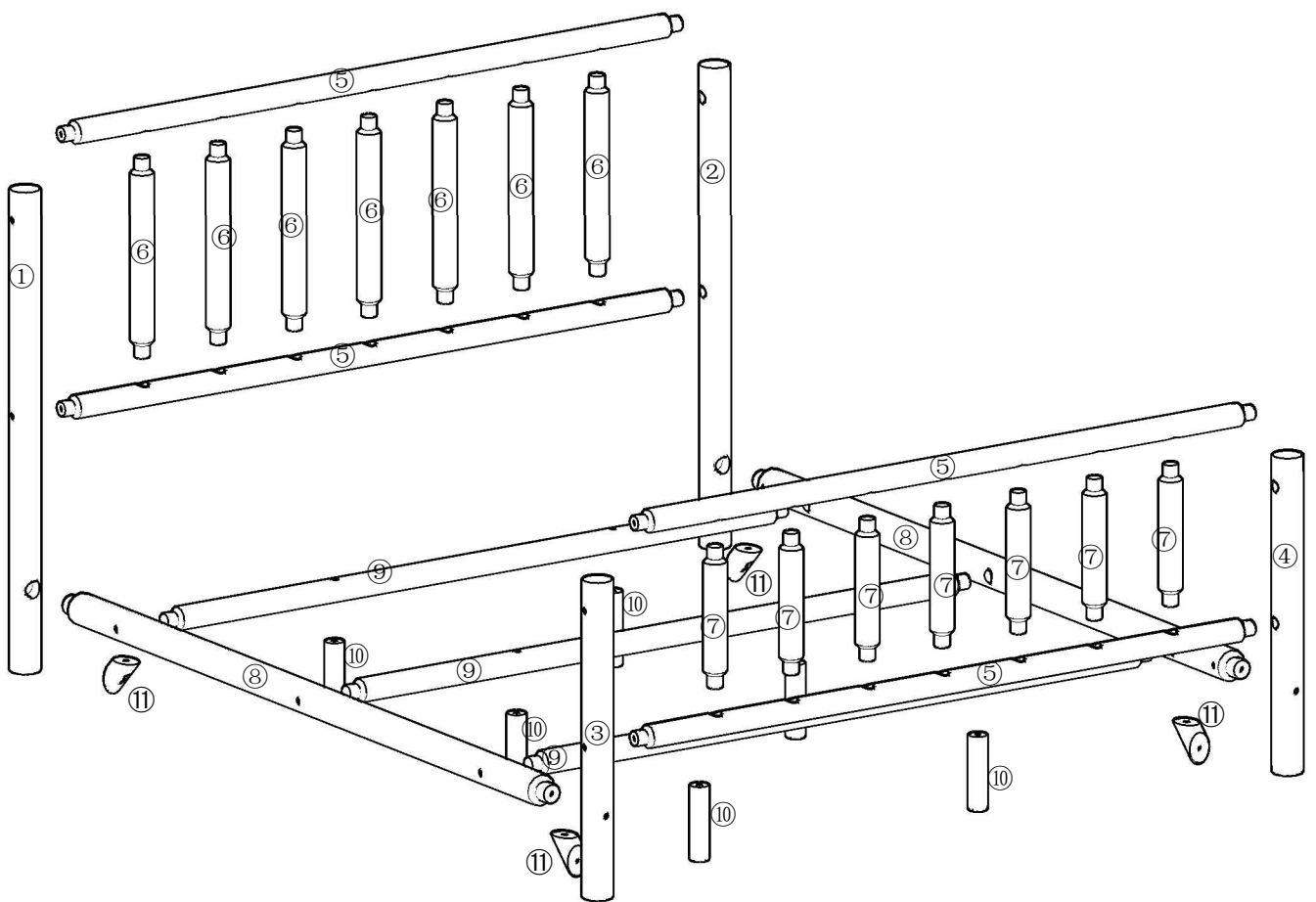


ASSEMBLY INSTRUCTIONS



WF531021 / WF531022

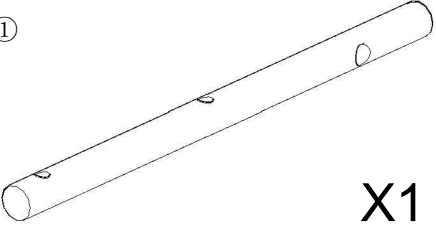
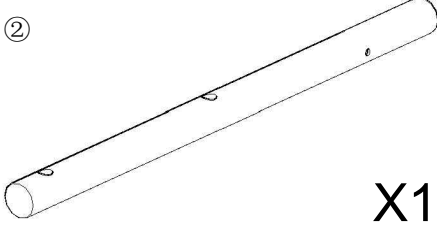
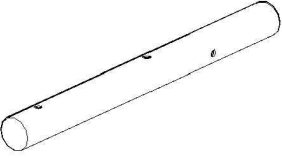
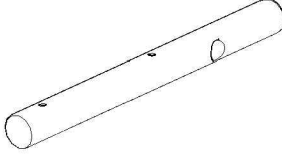
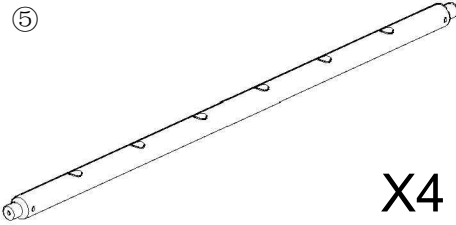
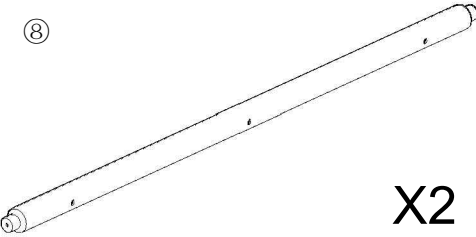
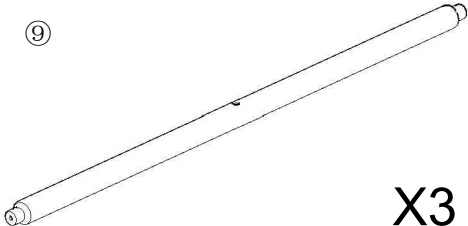
ASSEMBLY INSTRUCTIONS




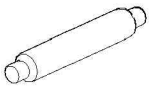
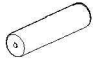
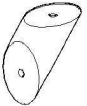
WF531021 / WF531022

ASSEMBLY INSTRUCTIONS

PART LIST - WF531021

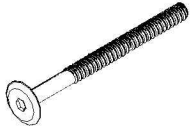


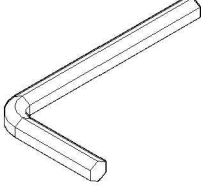

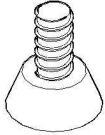
<p>①</p>  <p>X1</p>	<p>②</p>  <p>X1</p>	<p>③</p>  <p>X1</p>
<p>④</p>  <p>X1</p>	<p>⑤</p>  <p>X4</p>	<p>⑧</p>  <p>X2</p>
<p>⑨</p>  <p>X3</p>		

PART LIST - WF531022

<p>⑥</p>  <p>X7</p>	<p>⑦</p>  <p>X7</p>	<p>⑩</p>  <p>X6</p>
<p>⑪</p>  <p>X4</p>		

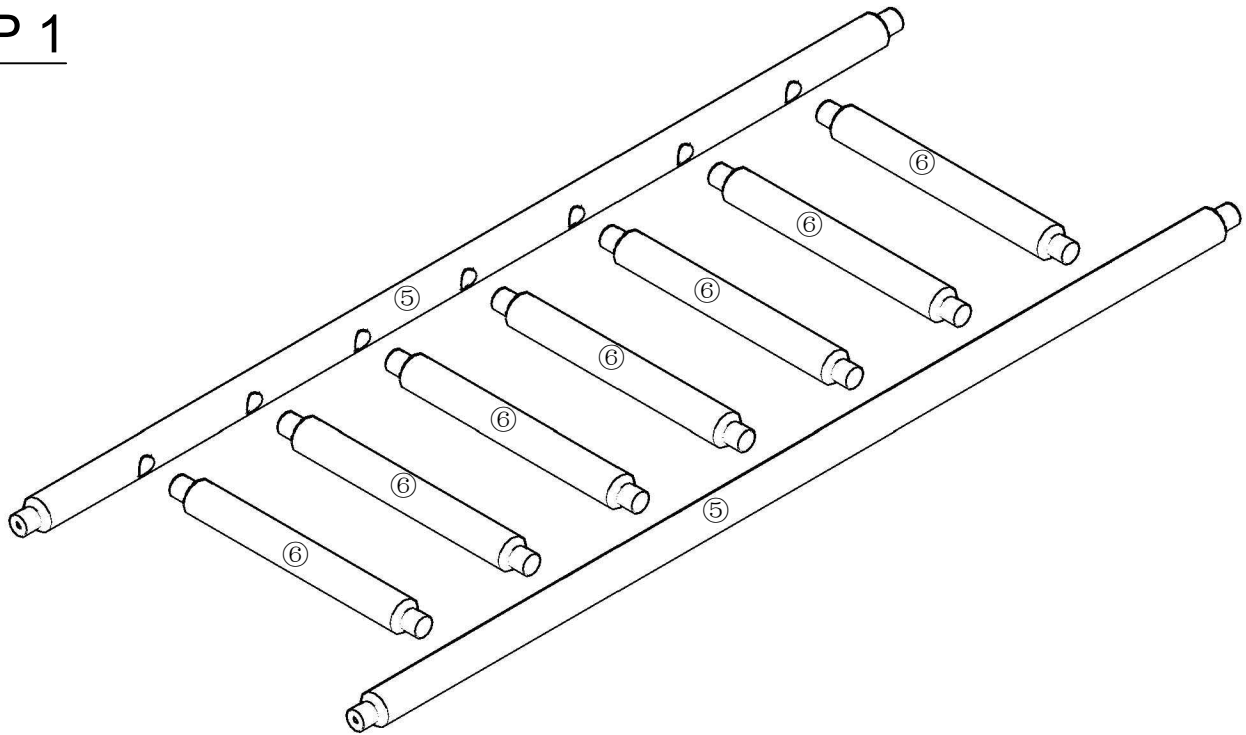
ASSEMBLY INSTRUCTIONS

HARDWARE LIST - WF531021

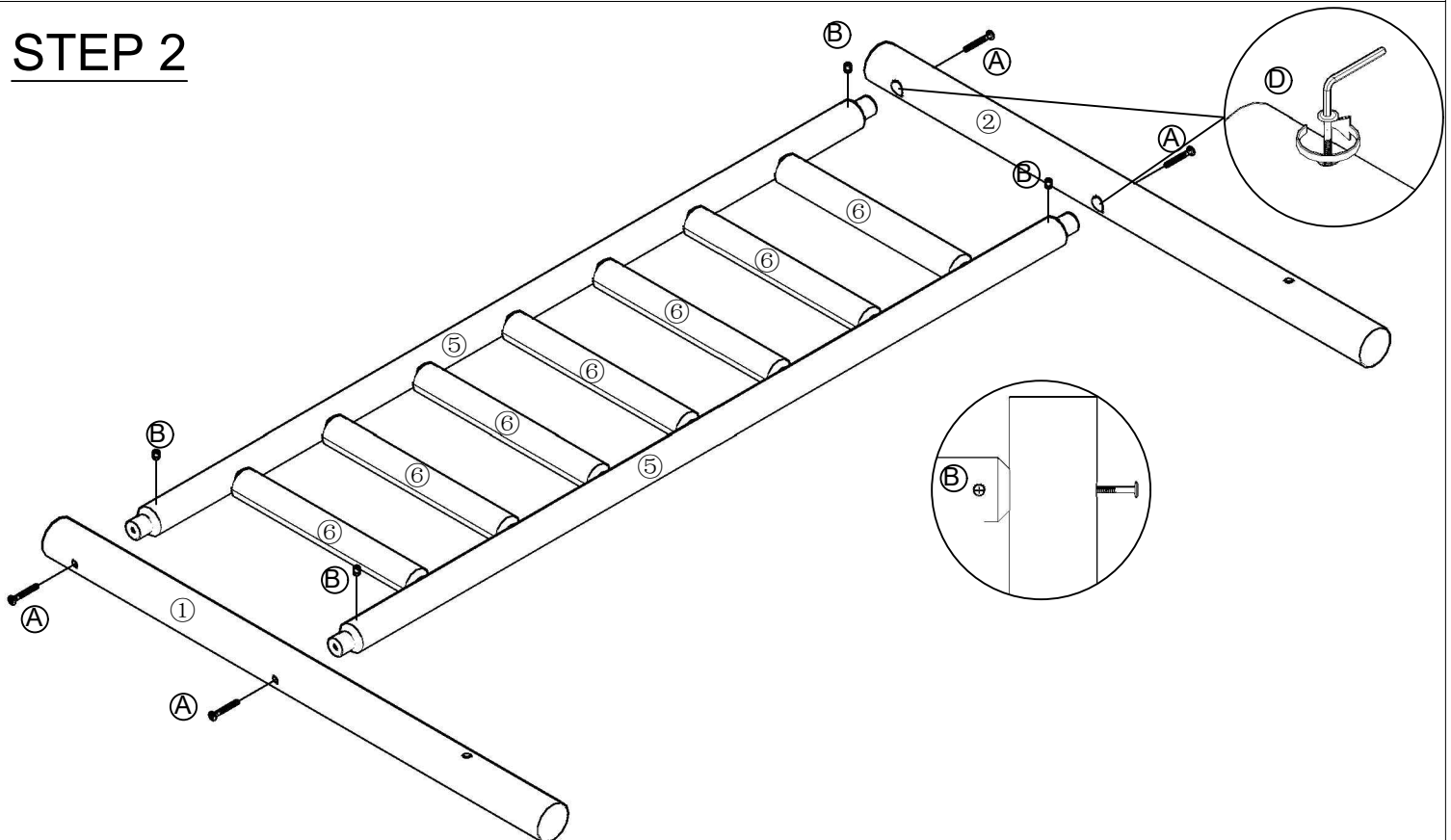
<p>Ⓐ</p>  <p>JCBC SCREW M6X110MM 18PCS</p>	<p>Ⓑ</p>  <p>STEEL NUT M6X10MM 18PCS</p>	<p>Ⓒ</p>  <p>JCBCW SCREW M6X50MM 8PCS</p>
<p>Ⓓ</p>  <p>ALLEN KEY 1PC</p>	<p>Ⓔ</p>  <p>JCBC SCREW M6X70MM 6PCS</p>	<p>Ⓕ</p>  <p>ADJUSTABLE 6PCS</p>

ASSEMBLY INSTRUCTIONS

STEP 1

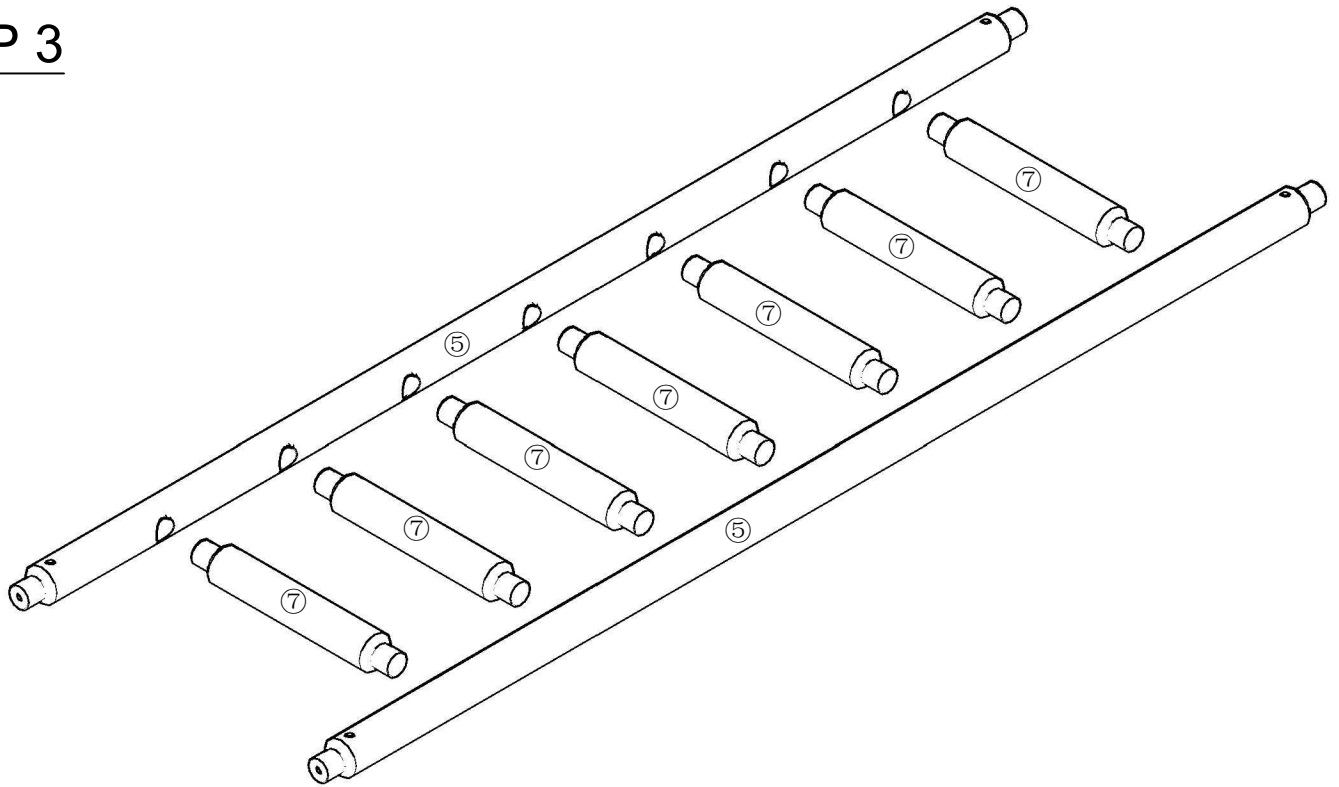


STEP 2

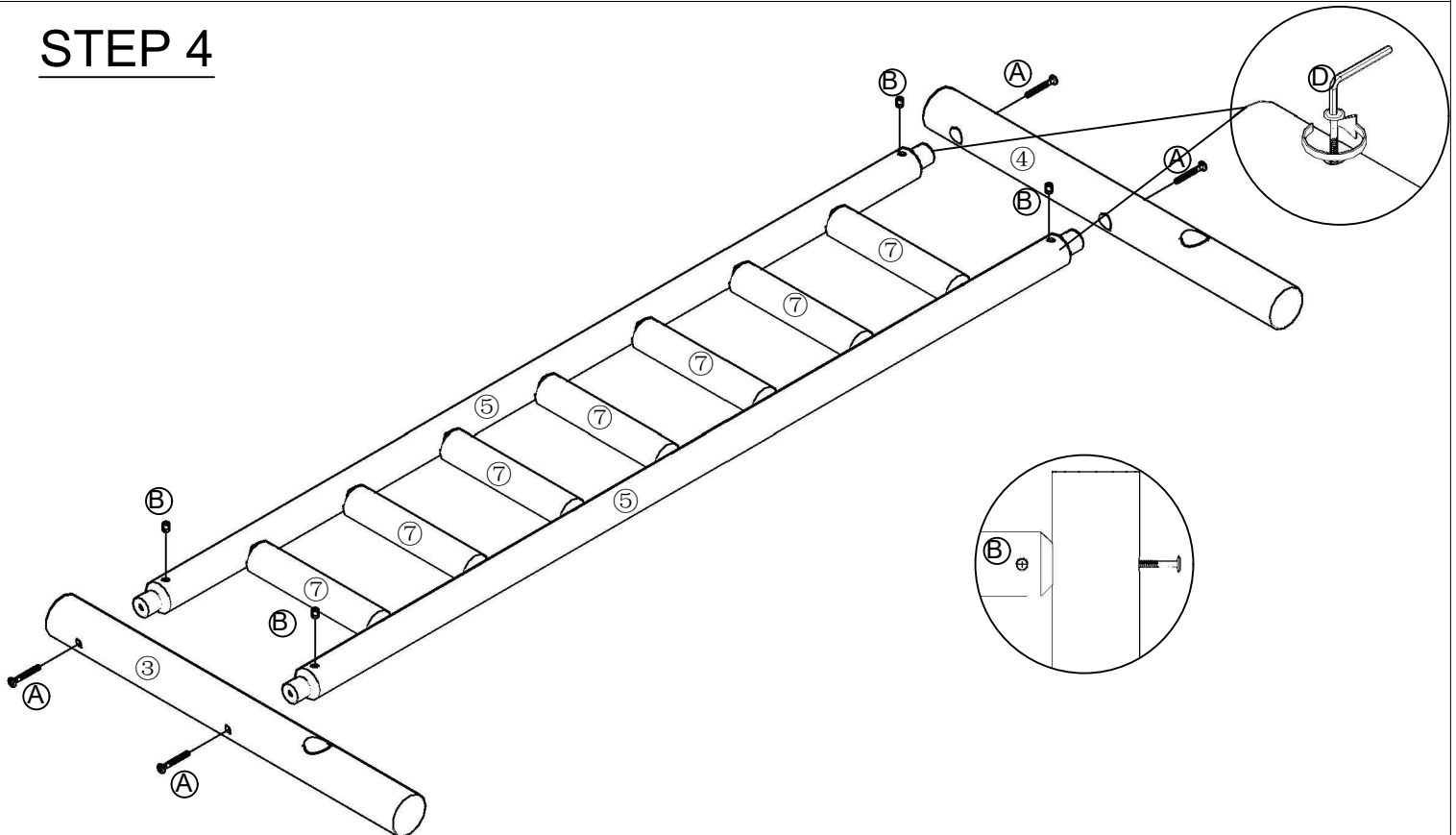


ASSEMBLY INSTRUCTIONS

STEP 3

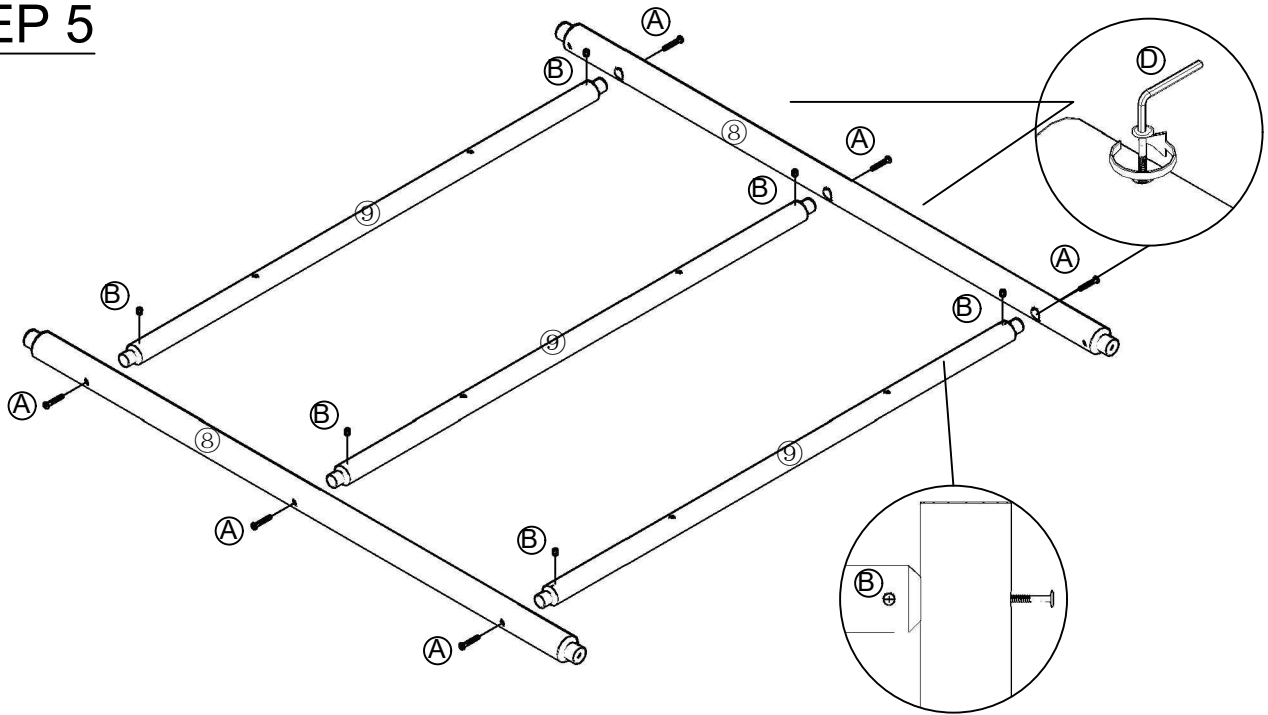


STEP 4

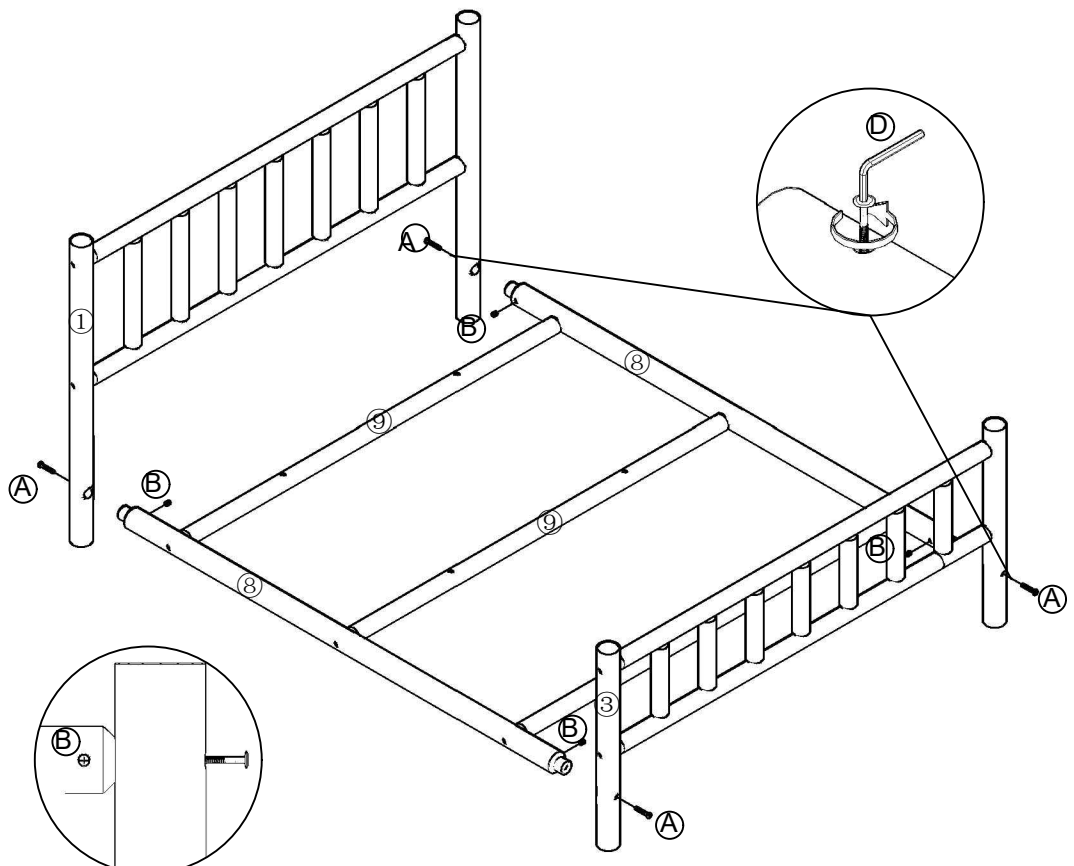


ASSEMBLY INSTRUCTIONS

STEP 5

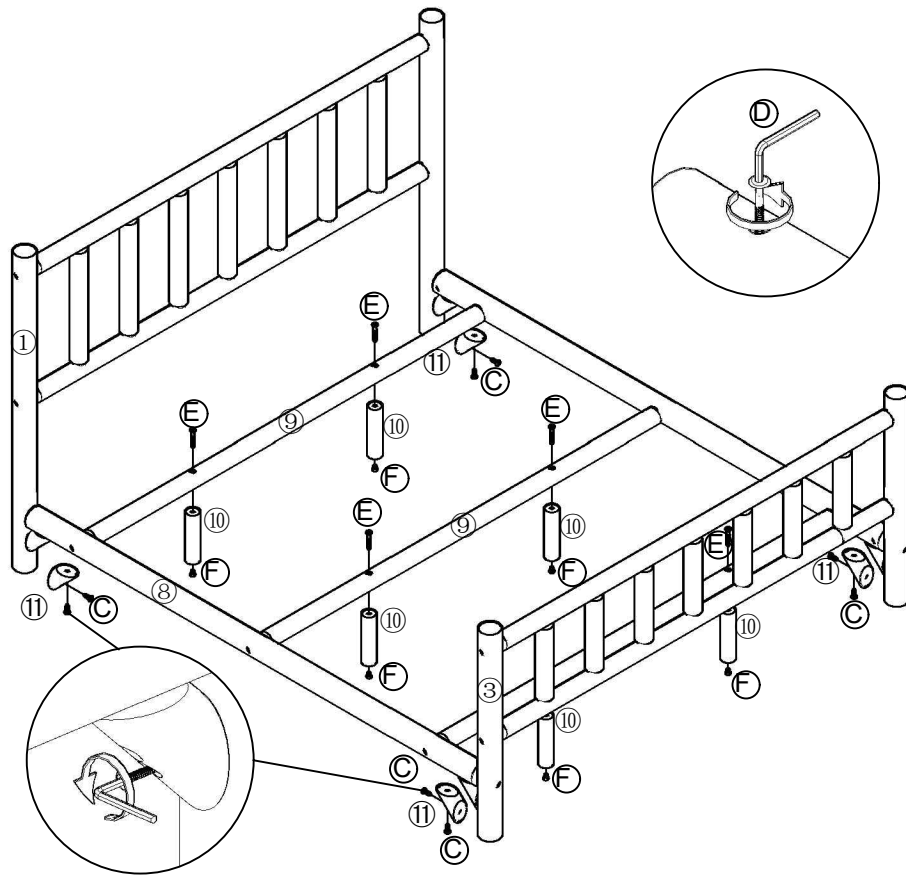


STEP 6



ASSEMBLY INSTRUCTIONS

STEP 7



STEP 8

