

Assembly and Safety Instruction

SAFETY INSTRUCTIONS PERTAINING TO RISK OF FIRE, ELECTRIC SHOCK, OR PERSONAL INJURY

WARNING: Lighted bulb / Shade assembly gets HOT! Do not touch while on.

CAUTION: Keep lamp away from curtains, bedding linens, and any other flammable materials.

- The mentioned voltage of **120V ~ 60Hz** should comply with the voltage of your electricity system.
- Do not look directly at lighted bulb.
- Turn off / unplug and allow lamp to cool before replacing bulb, cleaning or other maintenance.
- Do not use in the bathroom or damp places.
- Do not unplug lamp or touch the socket with wet hands.

CAUTION: TO REDUCE THE RISK OF FIRE, SCREW THE BULB (E26 MAX 40W) INTO THE LAMP HOLDER. **Do not exceed recommended wattage.**

IMPORTANT SAFETY INSTRUCTIONS: This portable lamp has a polarized plug (one blade is wider than the other) as a safety feature to reduce the risk of electric shock. This plug will fit in a polarized outlet only one way. If the plug does not fit fully in the outlet, reverse the plug. If it still does not fit, contact a qualified electrician to install a polarized outlet. Never use with an extension cord unless plug can be fully inserted. Do not alter the plug.

ASSEMBLY INSTRUCTIONS

Carefully unpack and place all parts on a smooth, flat surface. Line up all parts according to the assembly diagram.

1. Put the tube into the cylindrical metal part on the base, meanwhile pull the cable out of the base.
2. Fix a hexagon screw in it by an Allen key.
3. Put the lamp shade on the lamp holder.
4. Screw the ring.
5. Screw the bulb (E26 Max 40W, not included)

BULB REPLACEMENT

- Disconnect the power before replacing bulb.
- Before replacing a defective bulb, unplug the lamp and let it cool down for a moment.

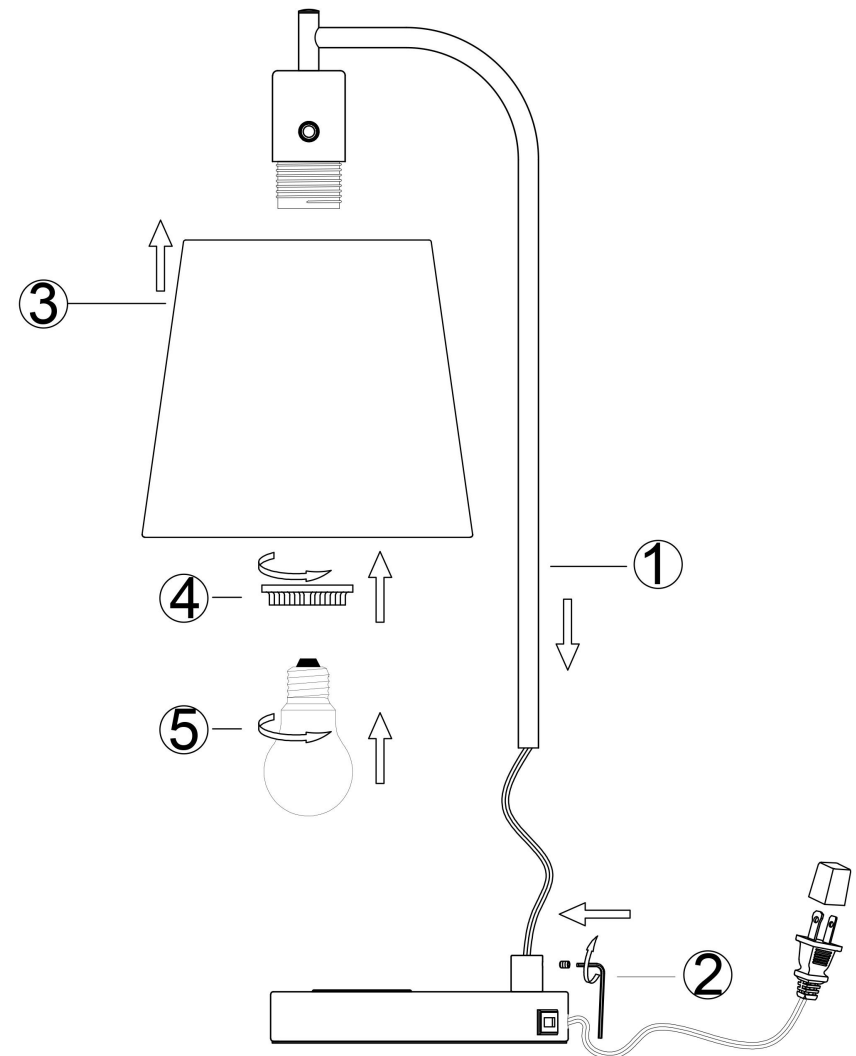
TROUBLESHOOTING

1. If your lamp does not light, ensure plug is fully inserted in the wall outlet.
2. If lamp still does not light, unplug from outlet. Check the bulb for a broken filament. Replace bulb if necessary. Plug in lamp and turn it on.
3. If the external flexible cable or cord of this lamp is damaged, it must be replaced by a qualified electrician in order to avoid a hazard.

MAINTENANCE

(Unplug power cord prior maintenance)

1. To clean, use a soft cloth only.
2. Do not use any chemical or abrasive cleaners.



Article no.: QJ2003