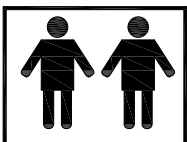
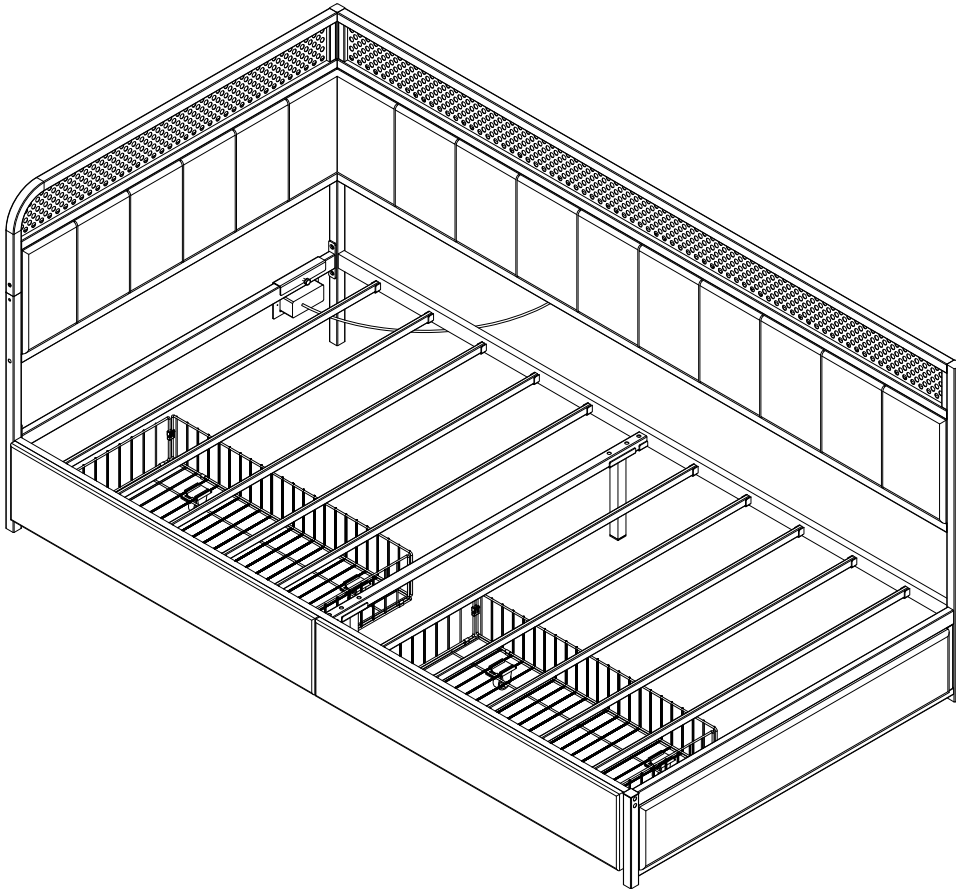


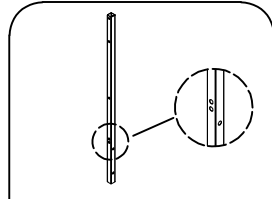
# LIKIMIO

Please don't tighten the screws completely and go back later for a final tightening of all the screws after pieces are aligned with each other

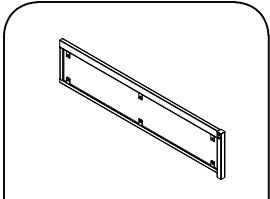


For easier and better assembly,  
**2** or more adults are required.

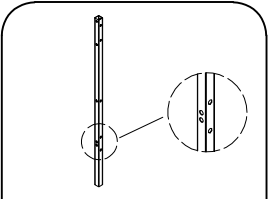
# Parts



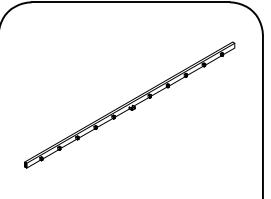
1 1PC



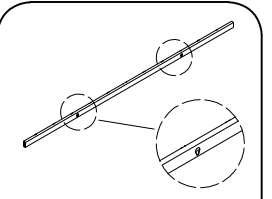
2 1PC



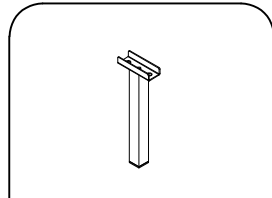
3 1PC



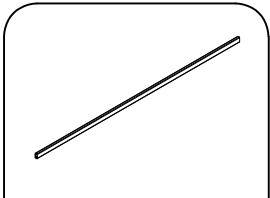
4 1PC



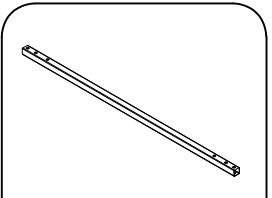
5 1PC



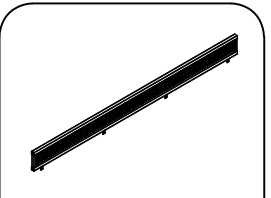
6 2PCS



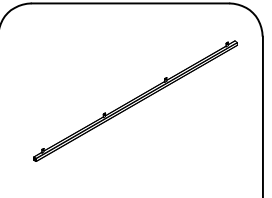
7 10PCS



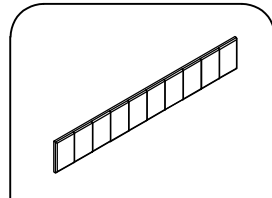
8 1PC



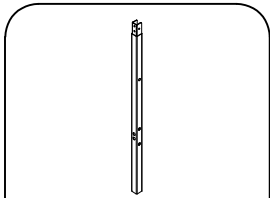
9 1PC



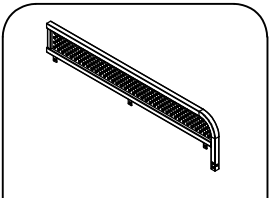
10 1PC



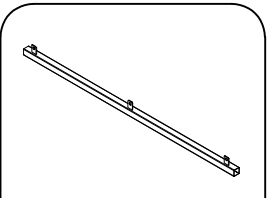
11 1PC



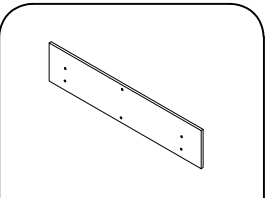
12 1PC



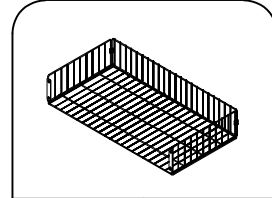
13 1PC



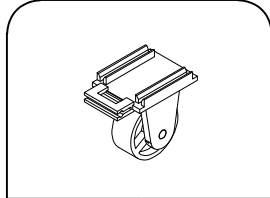
14 1PC



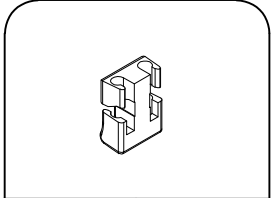
15 2PCS



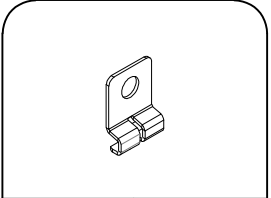
16 2PCS



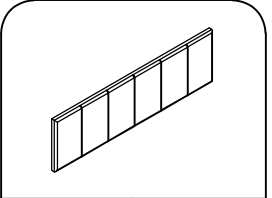
17 8PCS



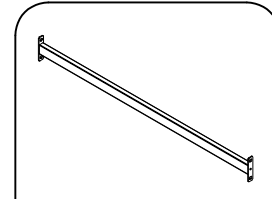
18 4PCS



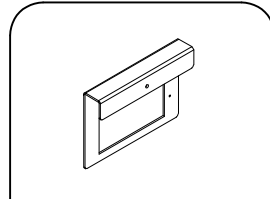
19 2PCS



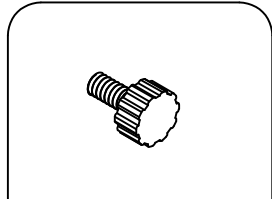
20 1PC



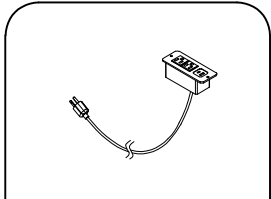
21 1PC



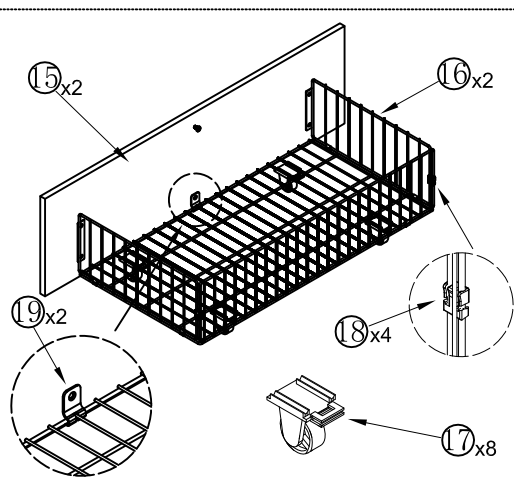
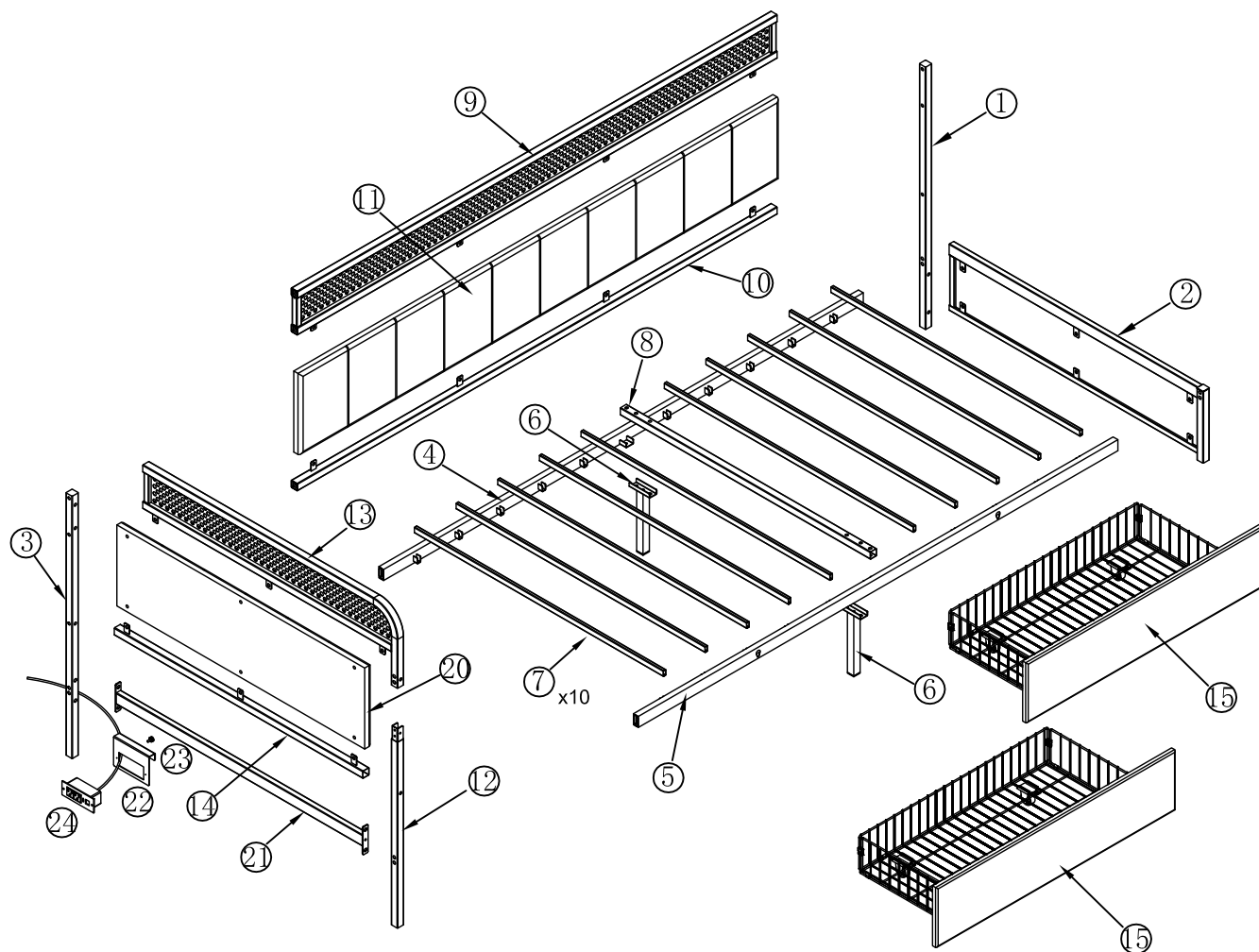
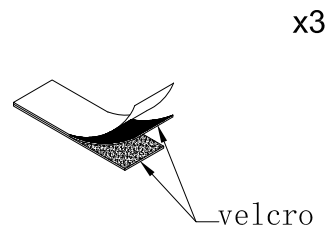
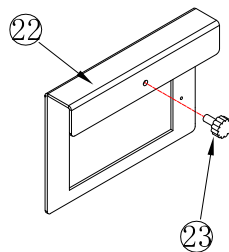
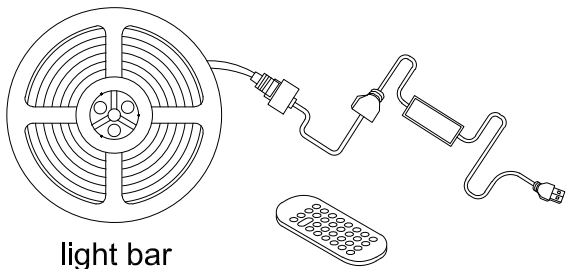
22 1PC



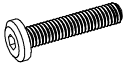
23 1PC



24 1PC



# Hardware List



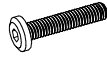
M8\*45

A 8PCS



M6\*45

B 8PCS



M6\*35

C 10PCS



M6\*12

D 33PCS



Ø6

E 11PCS



M3\*12

F 2PCS



G 1PC



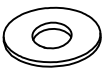
H 1PC

## Step1



M6\*35

C 2PCS

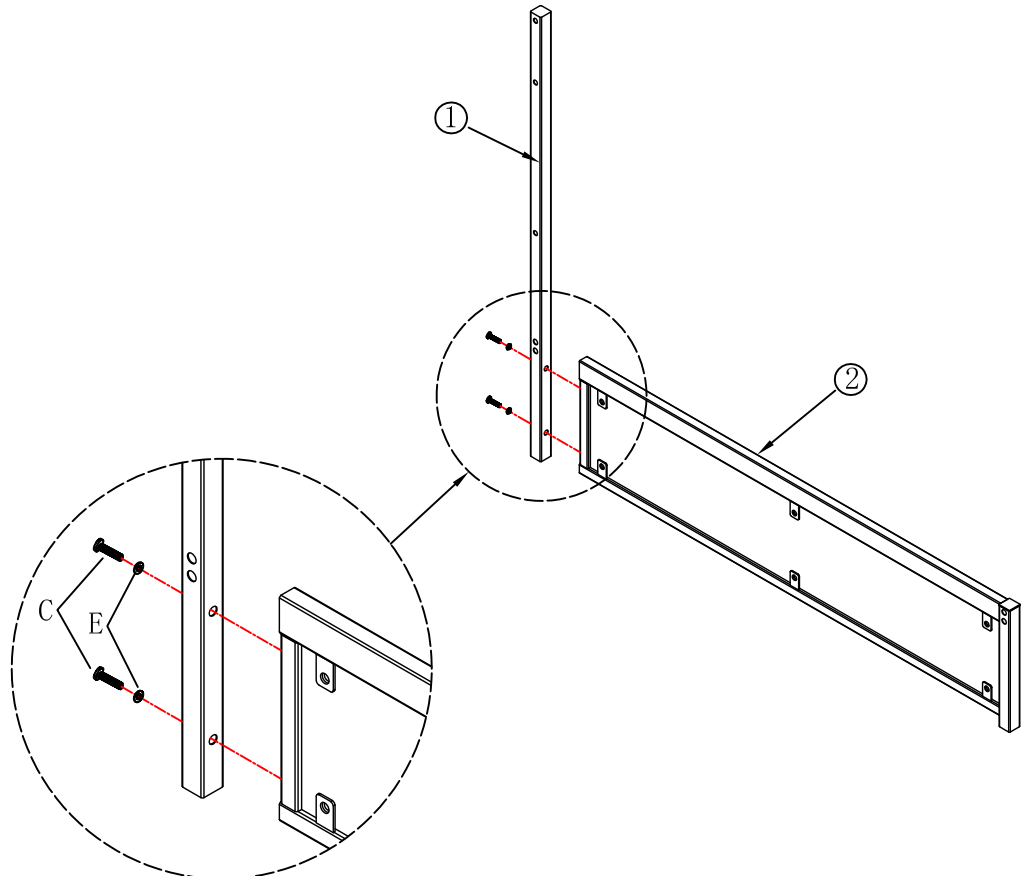


Ø6

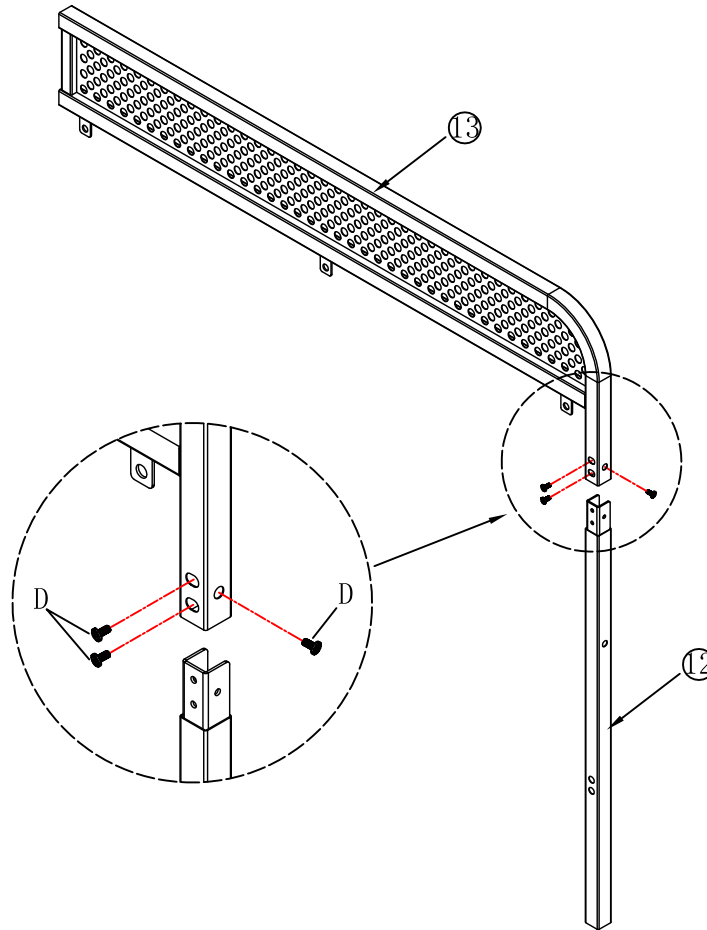
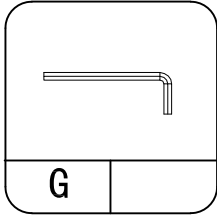
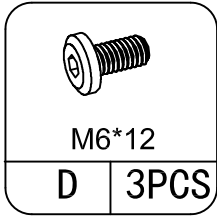
E 2PCS



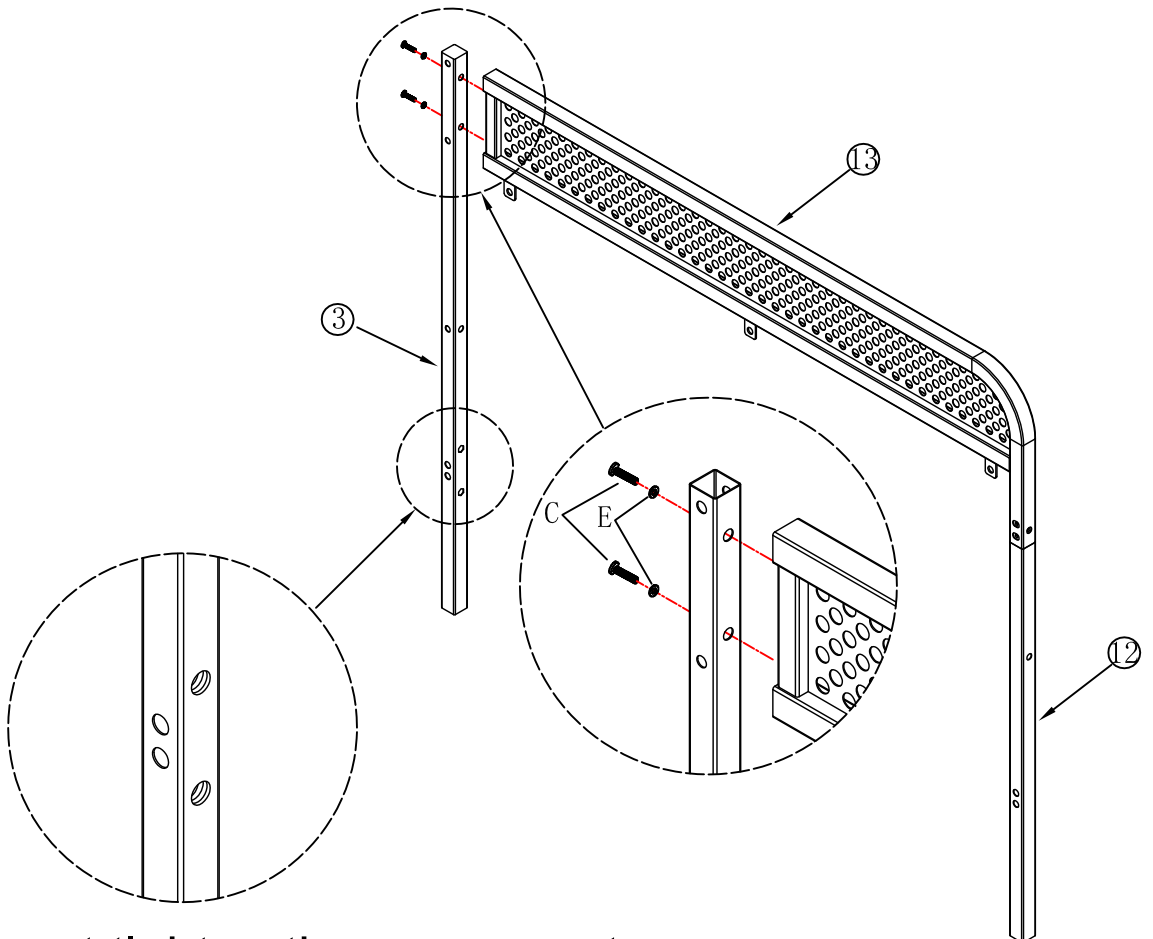
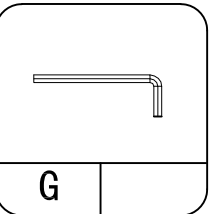
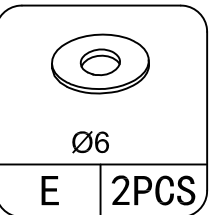
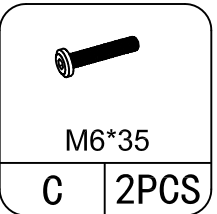
G



## Step2

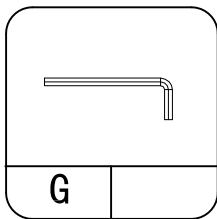
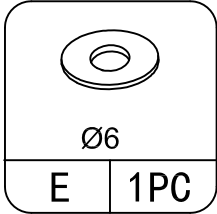
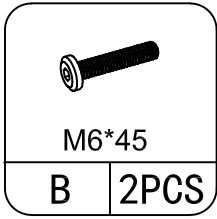


## Step3

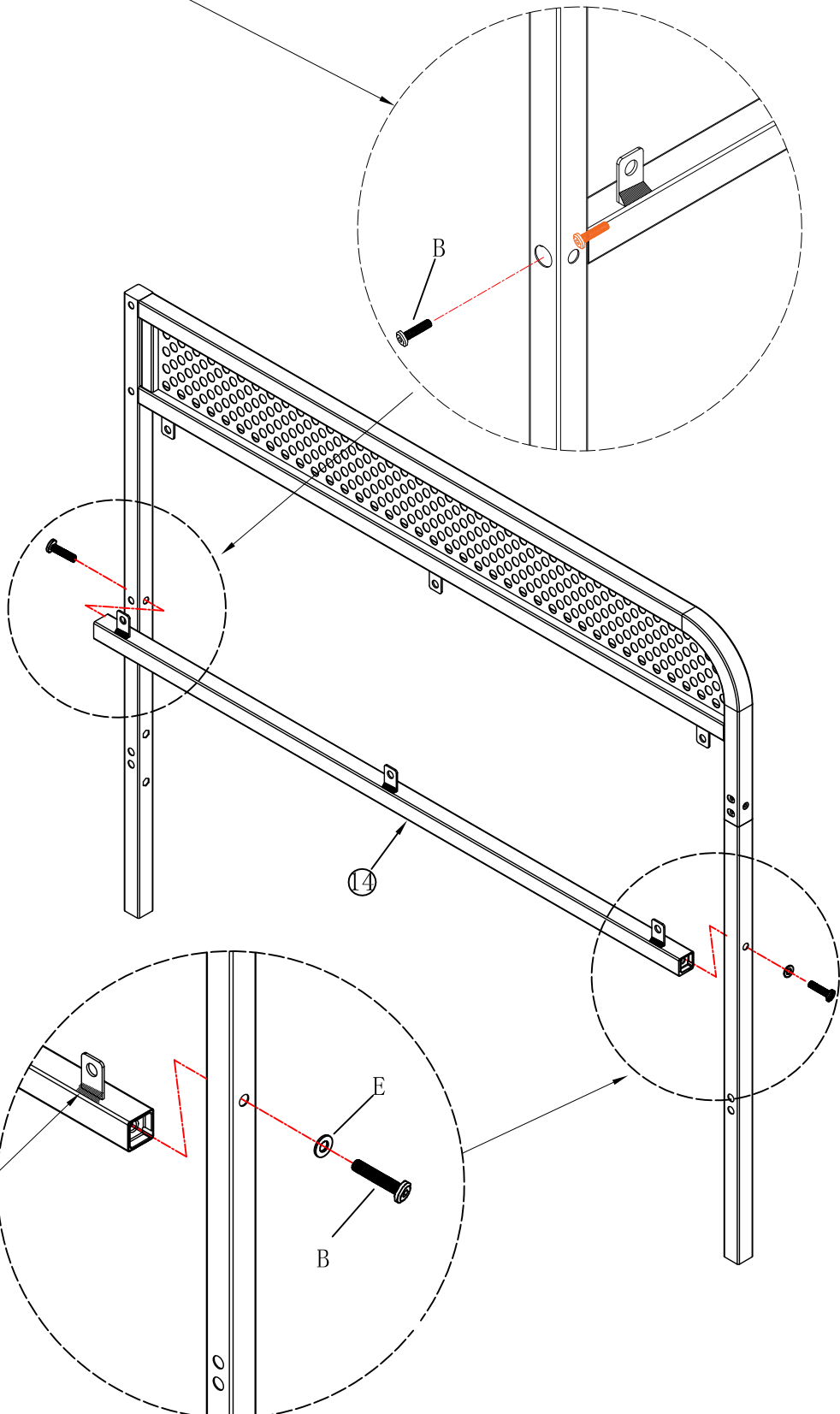


Please do not tighten the screws yet

# Step4

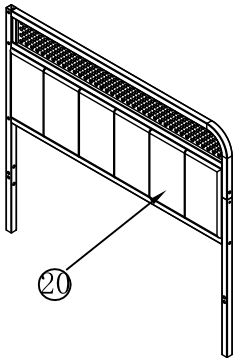
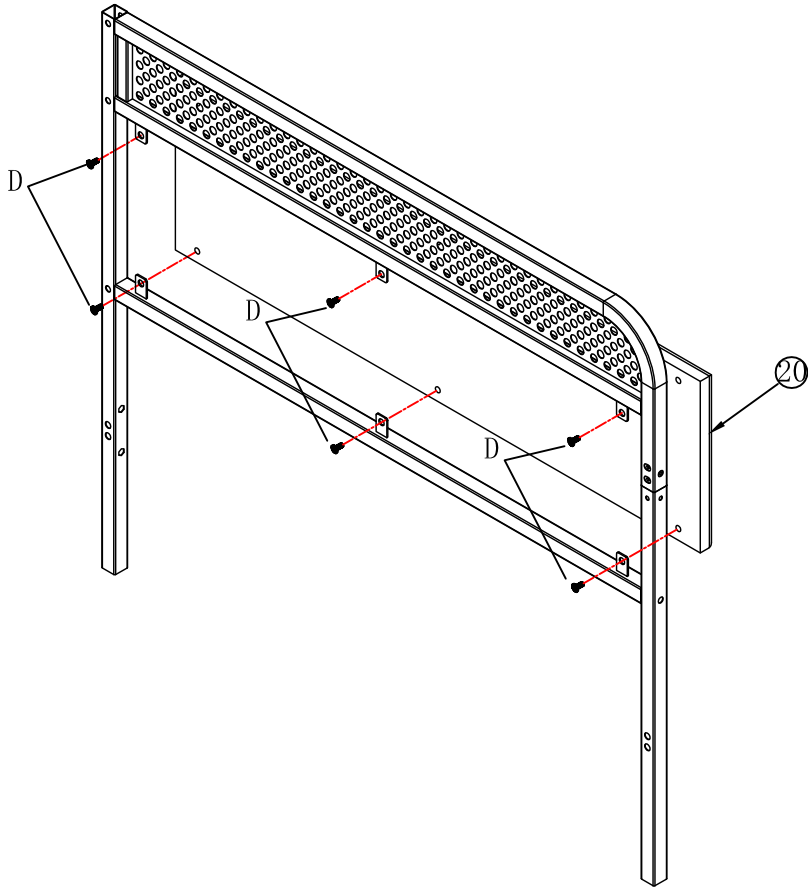
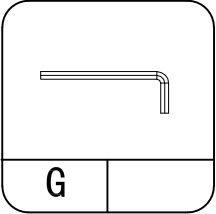
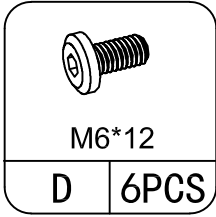


Note: Fully tighten the screw until its head is countersunk into the iron pipe, flush with the inner wall.  
(No washer is required for this step)

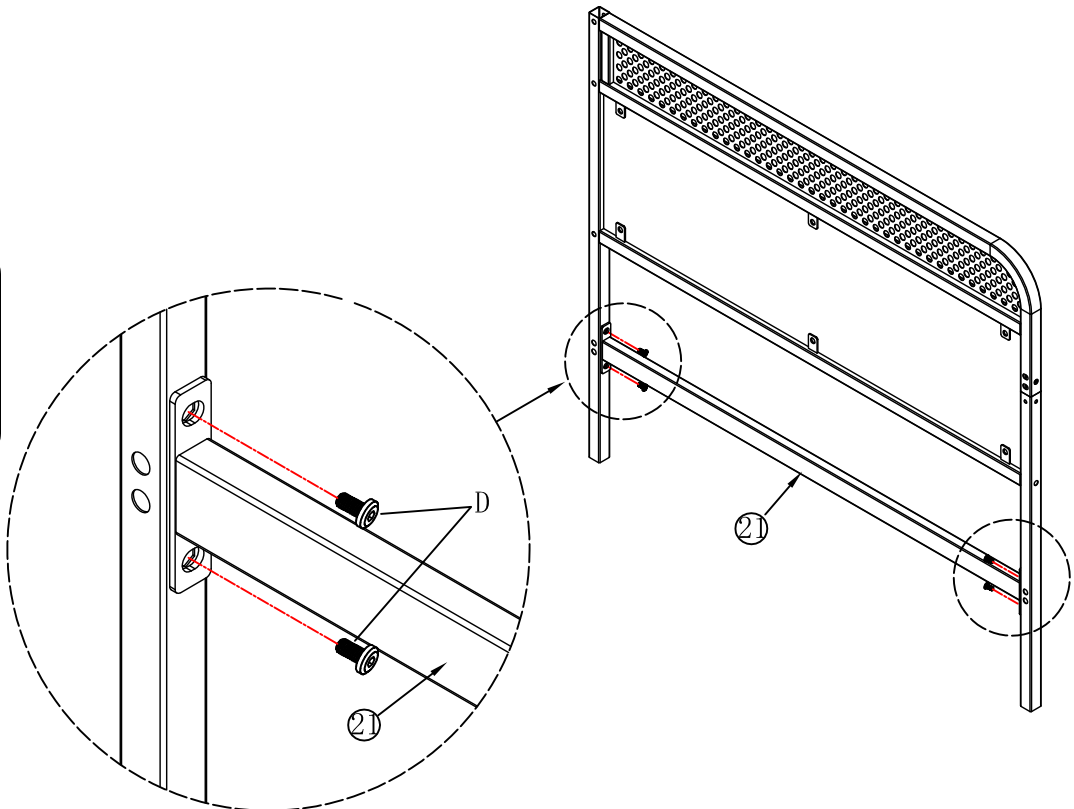
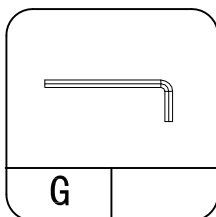
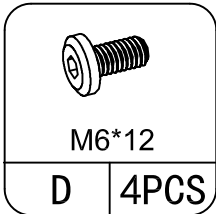


Weld bead on the outer side

## Step5



## Step6



And then secure all screws when all parts are aligned.

# Step7

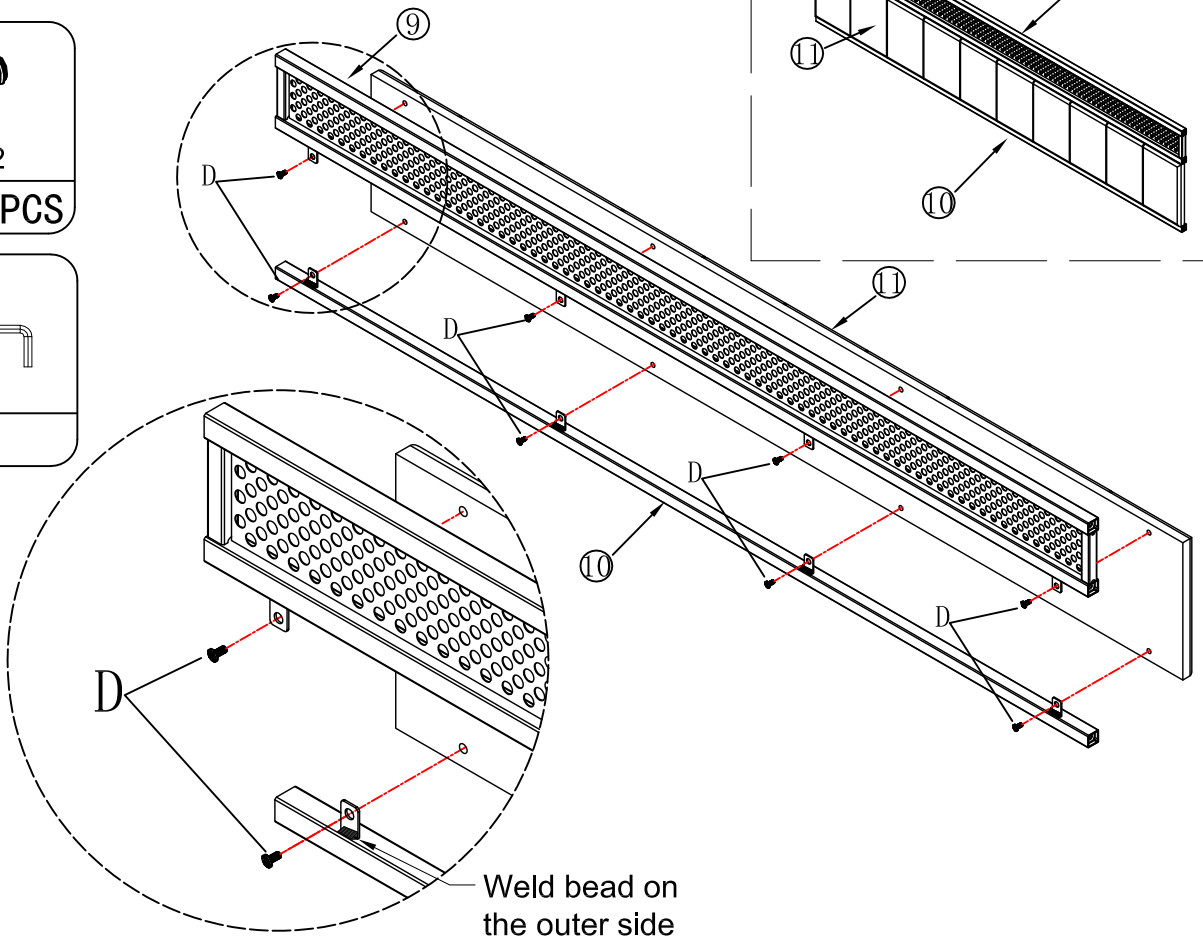


M6\*12

D 8PCS



G



Weld bead on the outer side

# Step8



M6\*45

B 6PCS

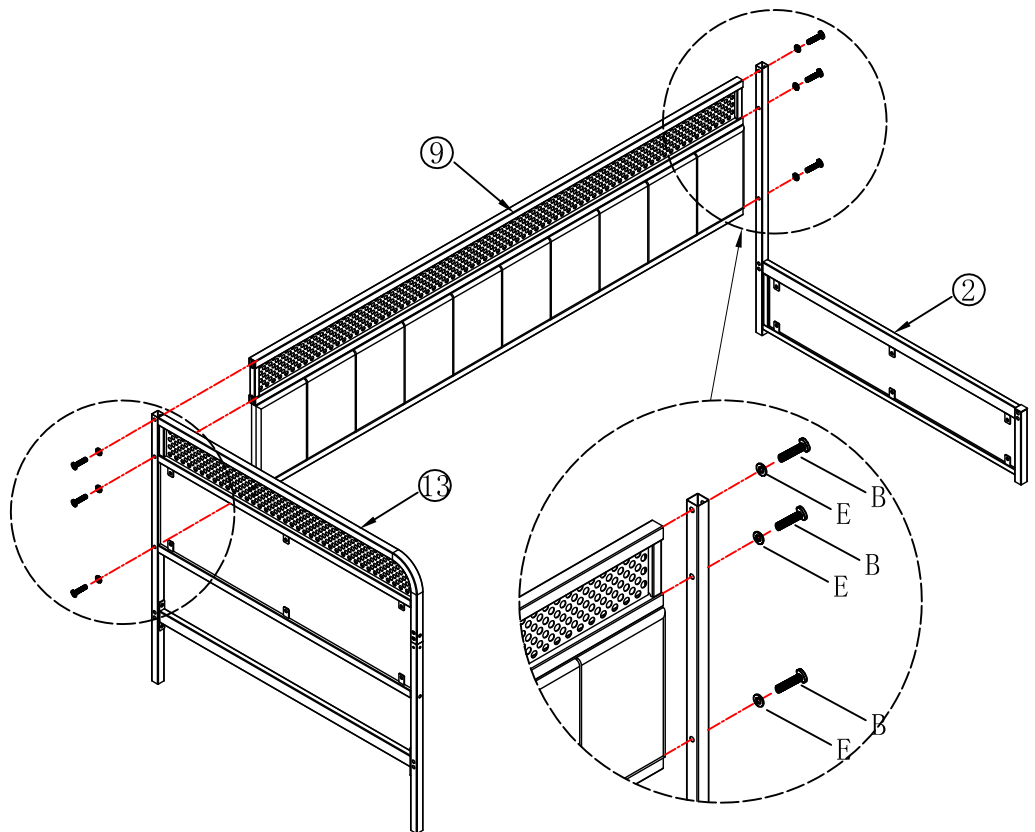


Ø6

E 6PCS

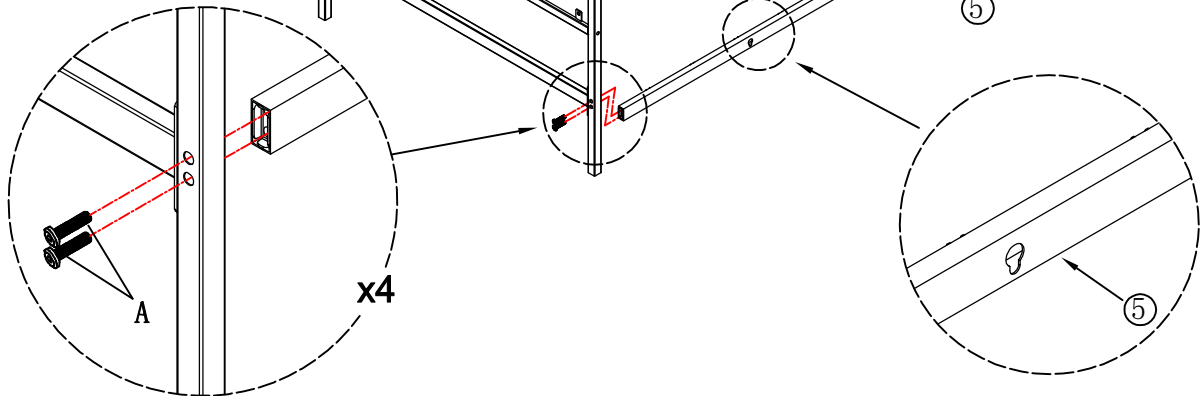
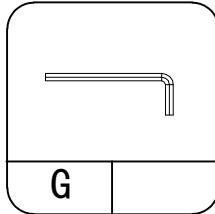
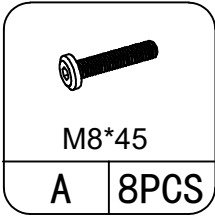


G



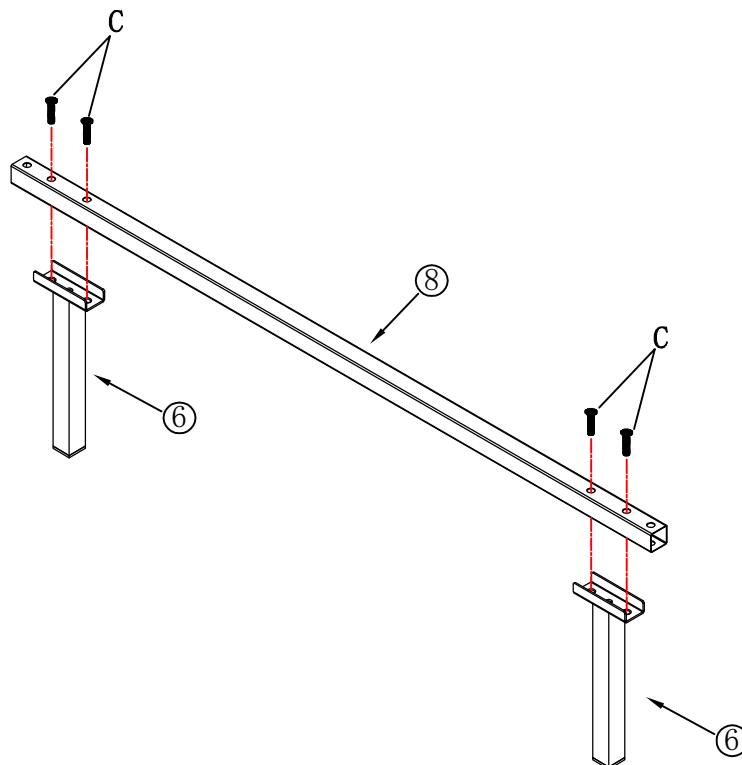
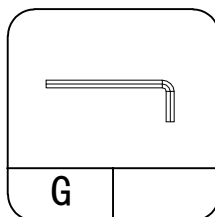
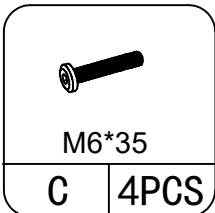
Please do not tighten the screws yet

## Step9

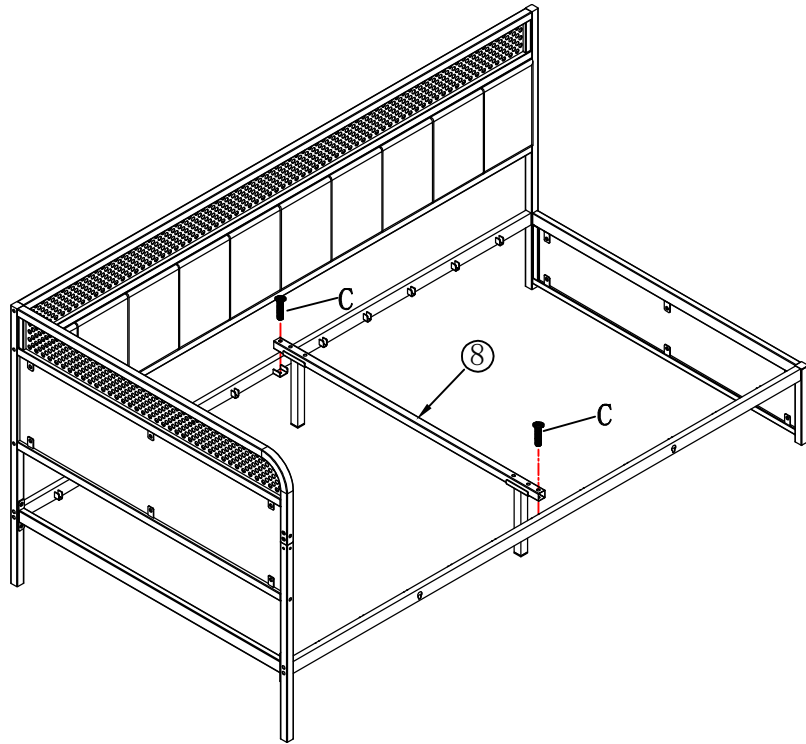
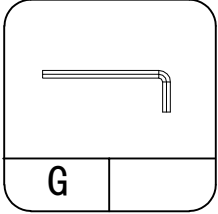
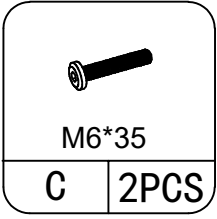


And then secure all screws when all parts are aligned.

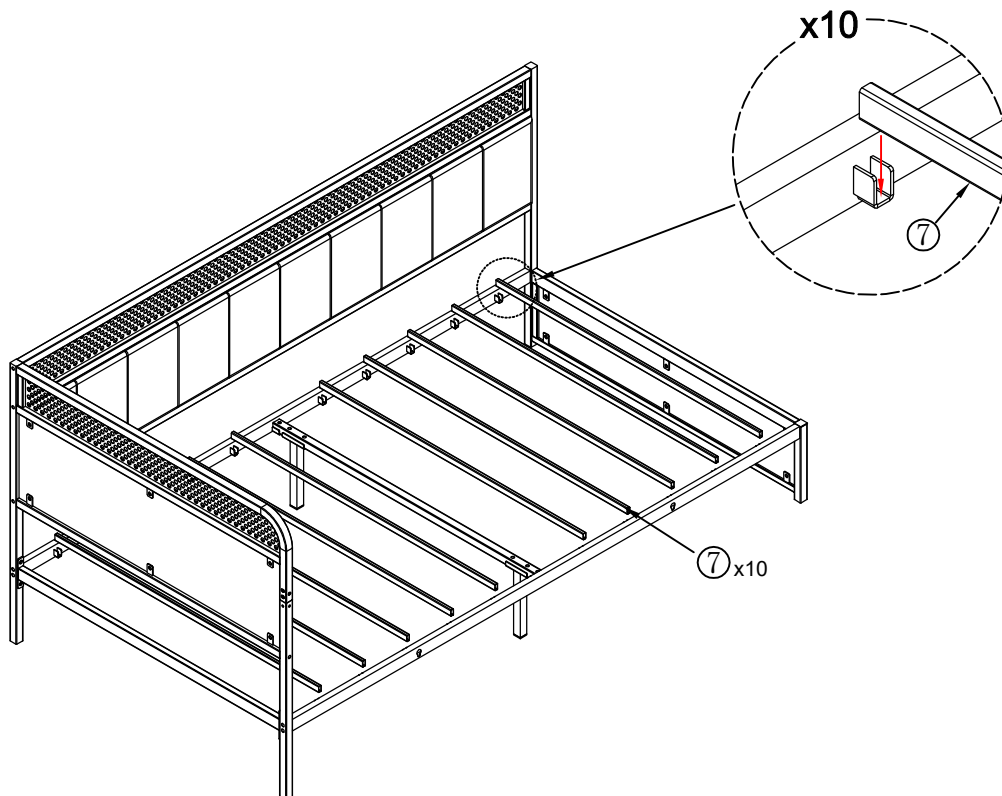
## Step10



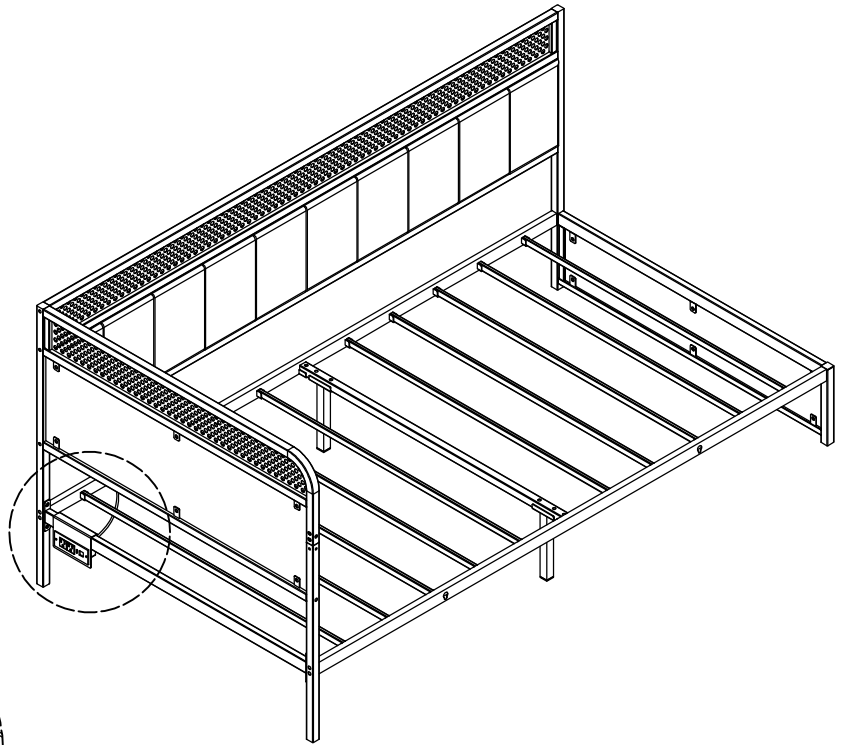
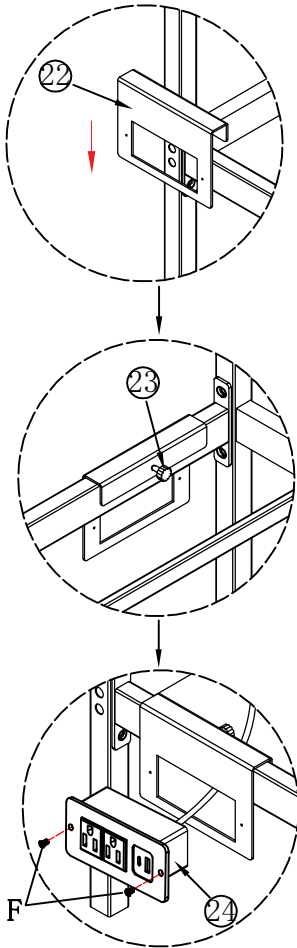
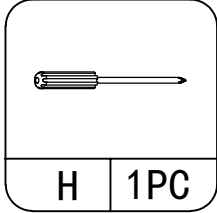
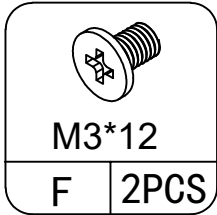
# Step11



# Step12

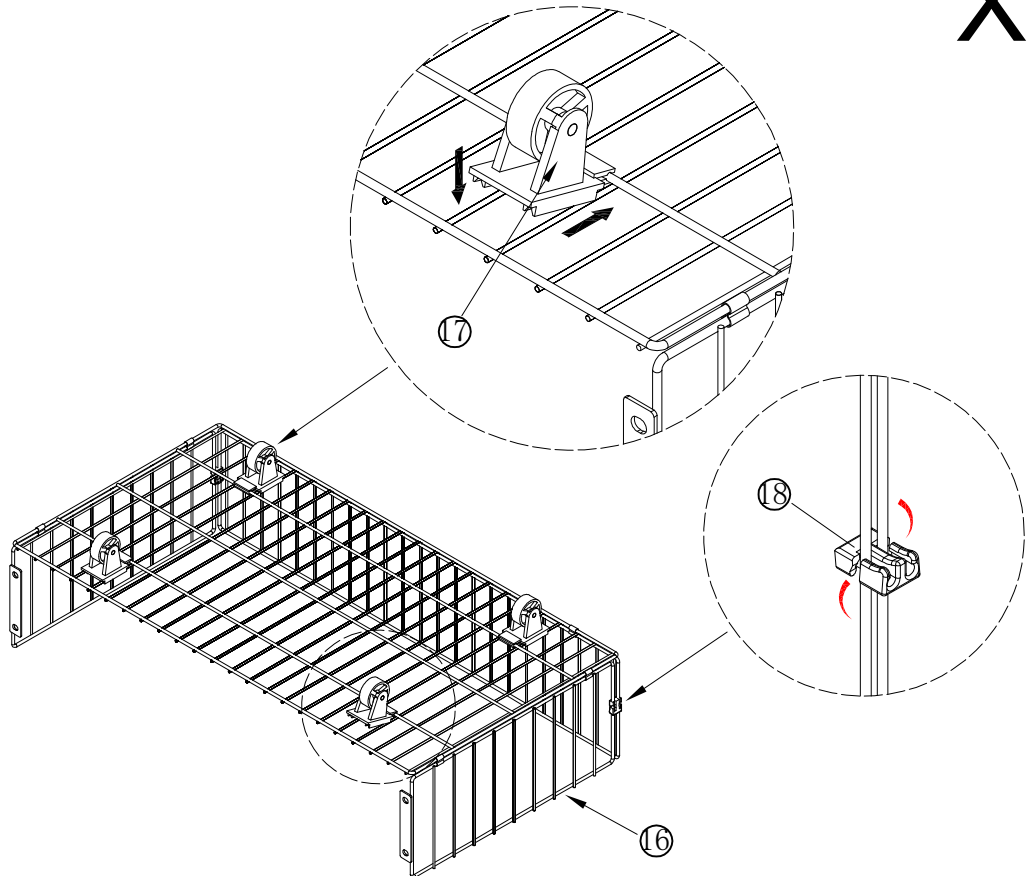
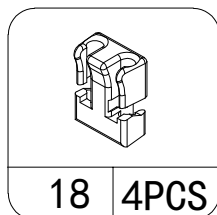
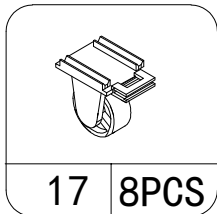


# Step13



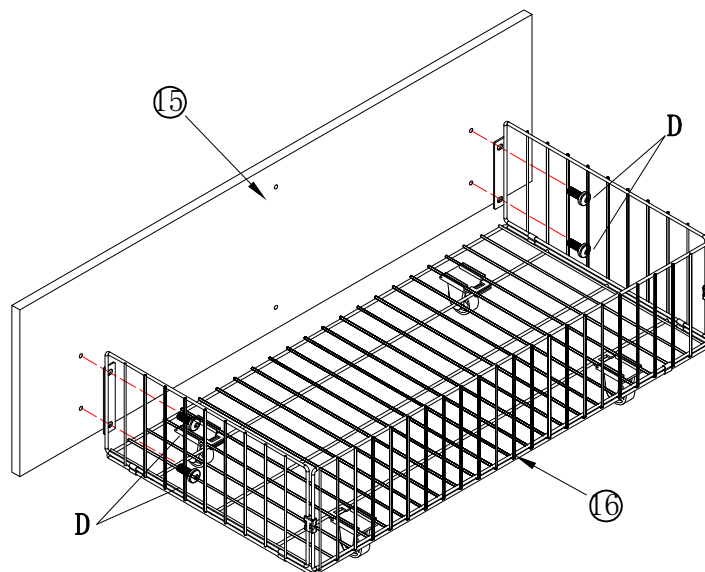
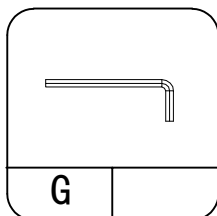
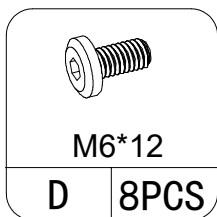
# Step14

X2



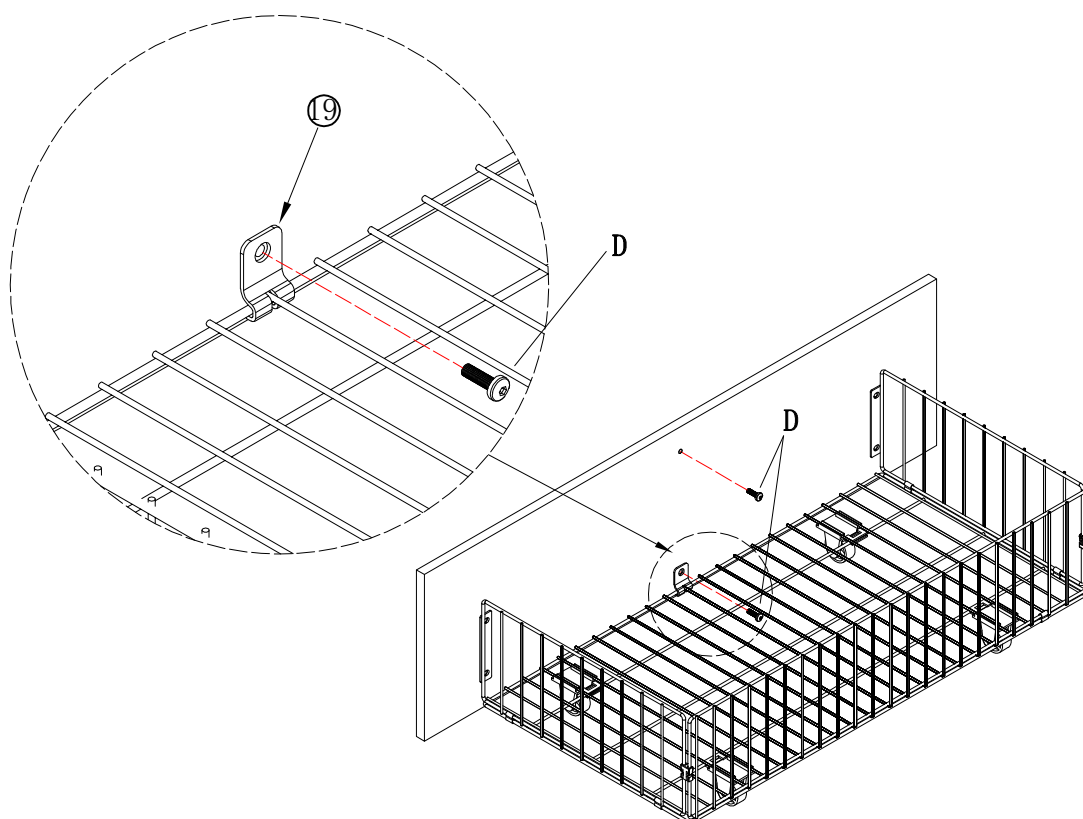
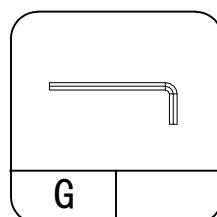
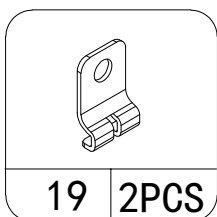
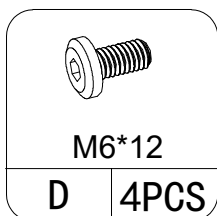
# Step15

# X2



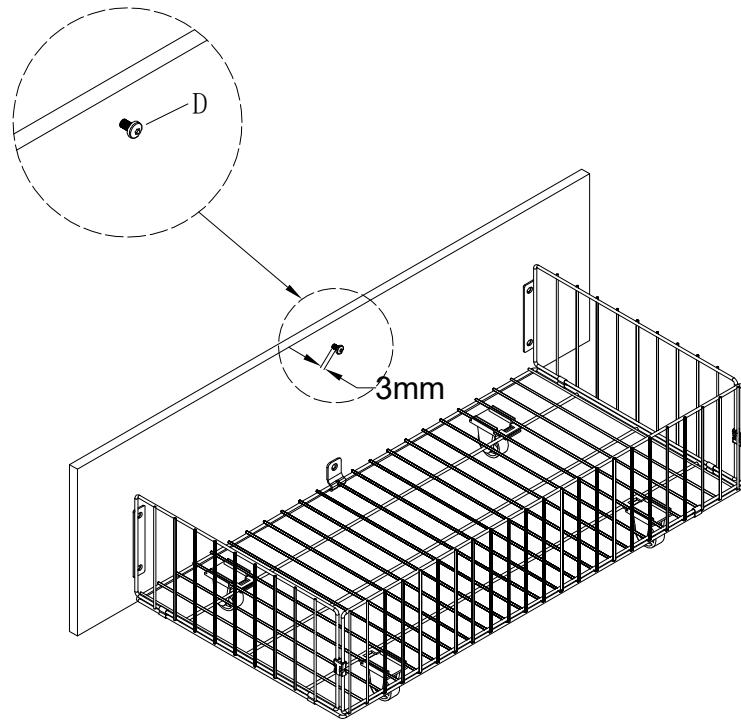
# Step16

# X2

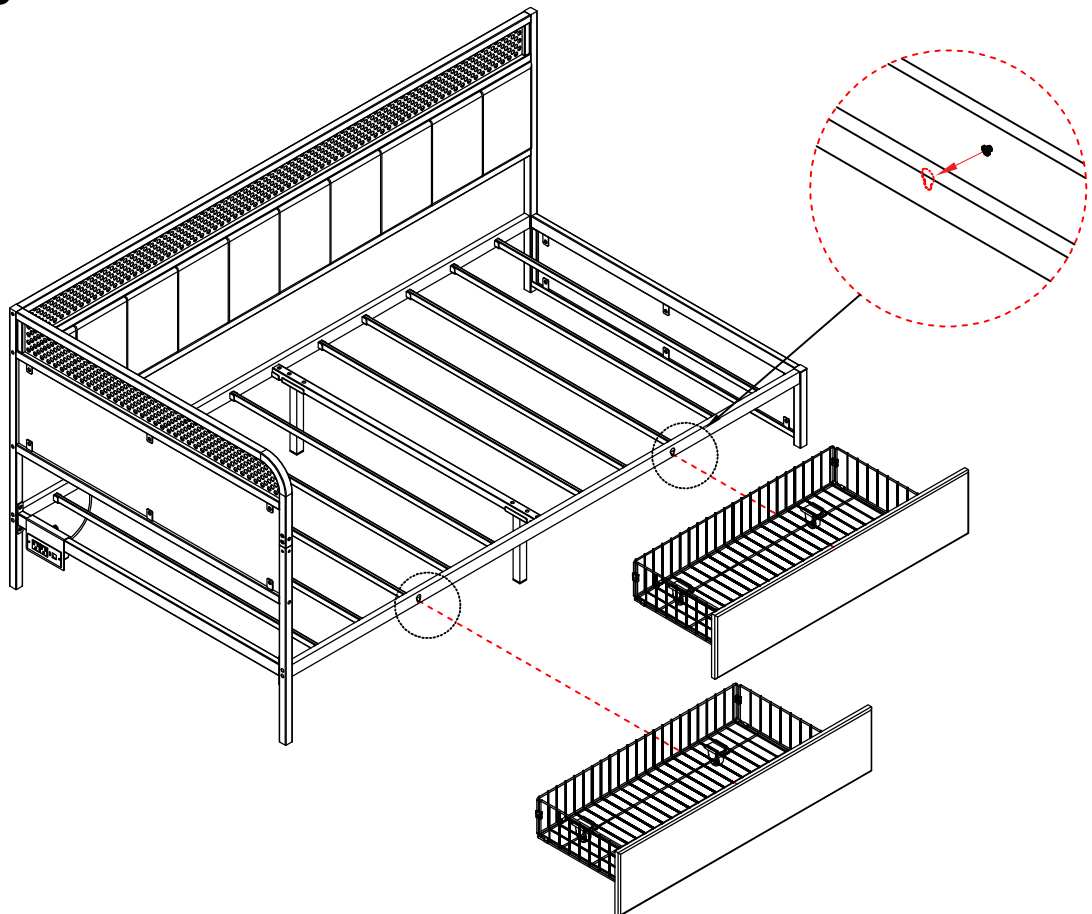


# Step17

# X2

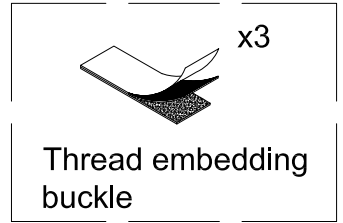
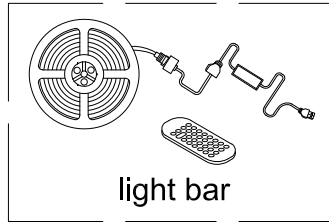


# Step18

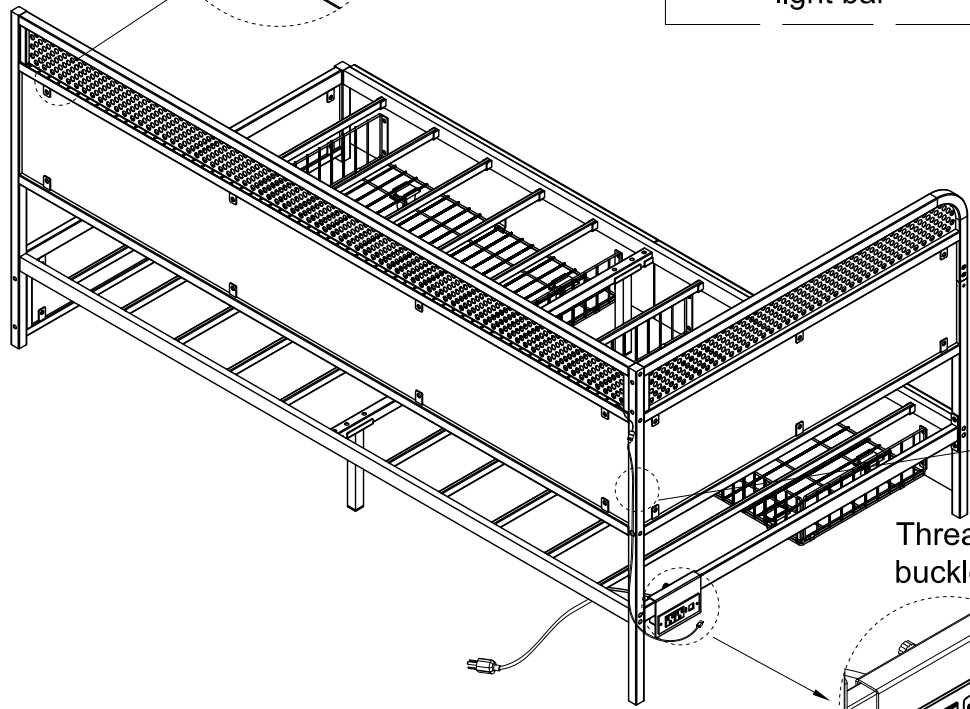


# Step19

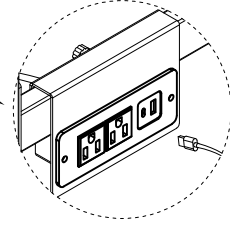
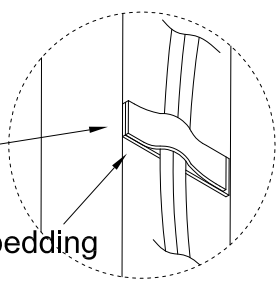
# DIY



light bar



Thread embedding buckle



# Step20

