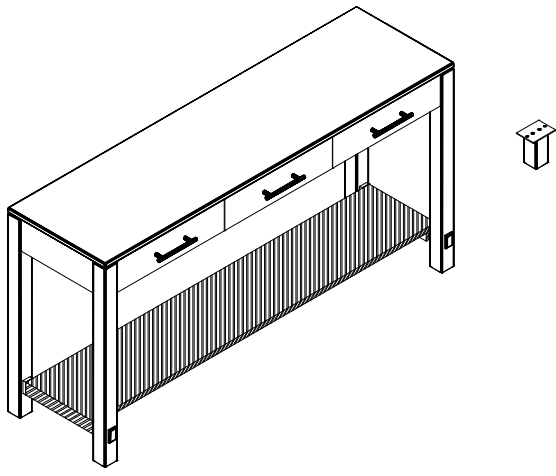


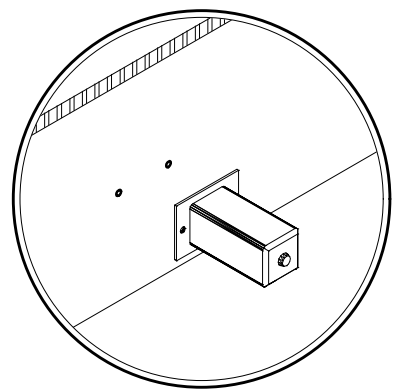
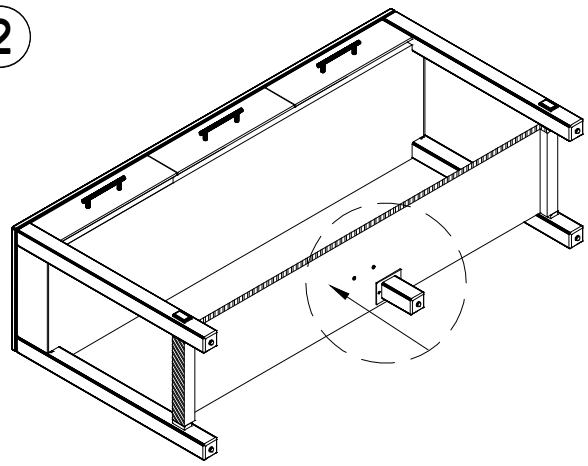
Assembly Instruction For Blake Console Table

1

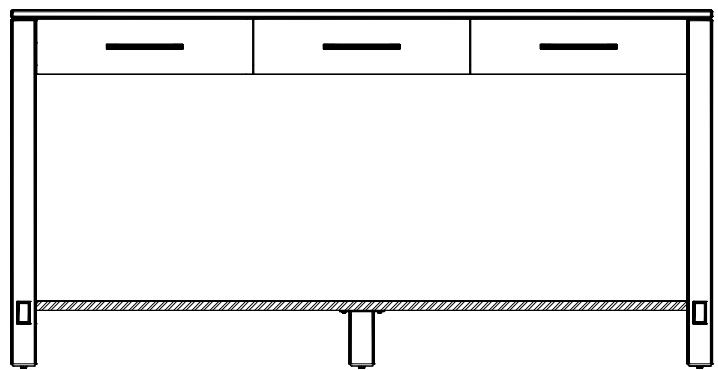
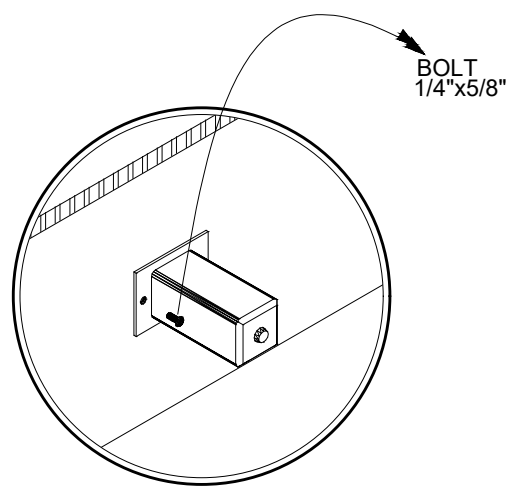
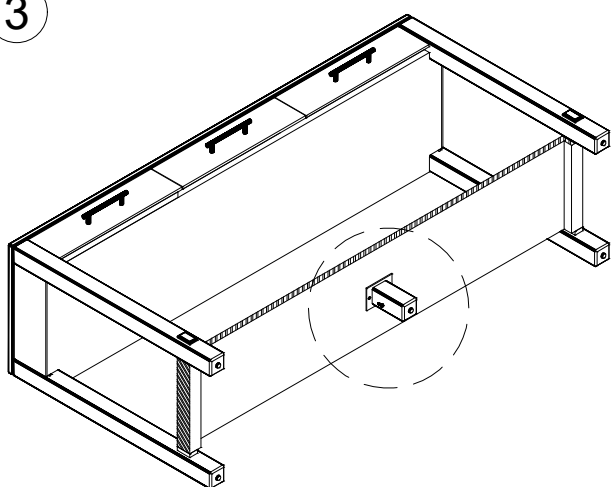


Hardware List				
A		Case		1
B		Leg		1
C		Bolt	1/4"x5/8"	2
D		Allen Wrench	5/32"	1

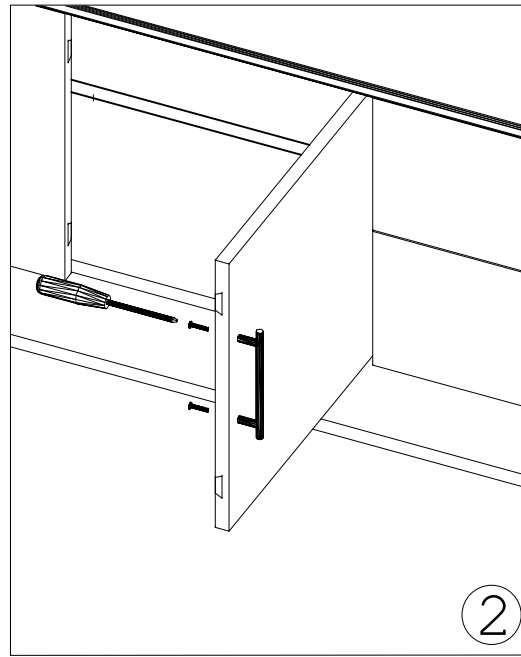
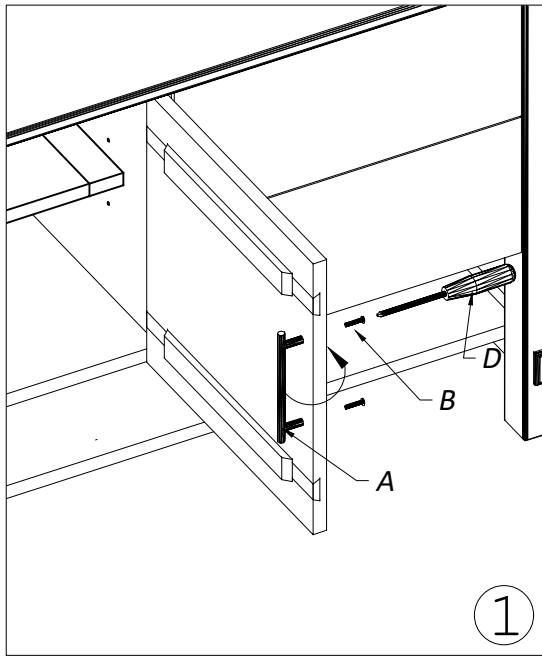
2



3



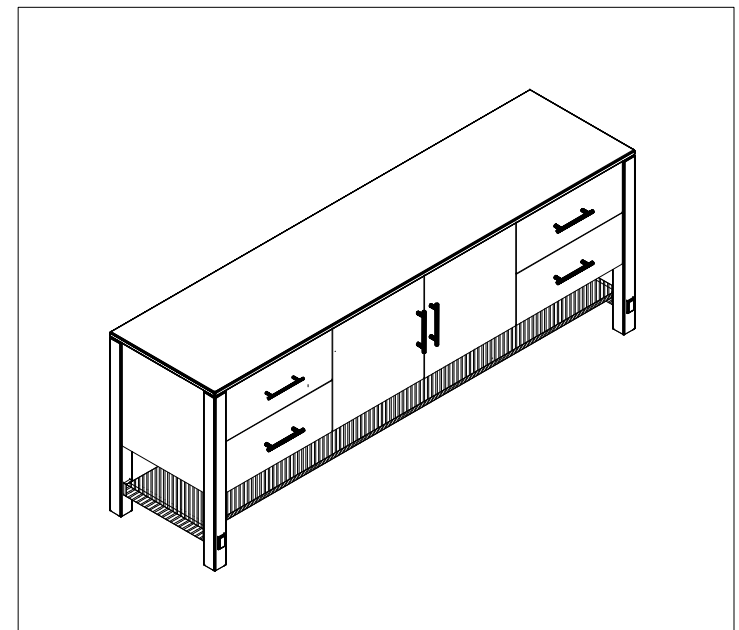
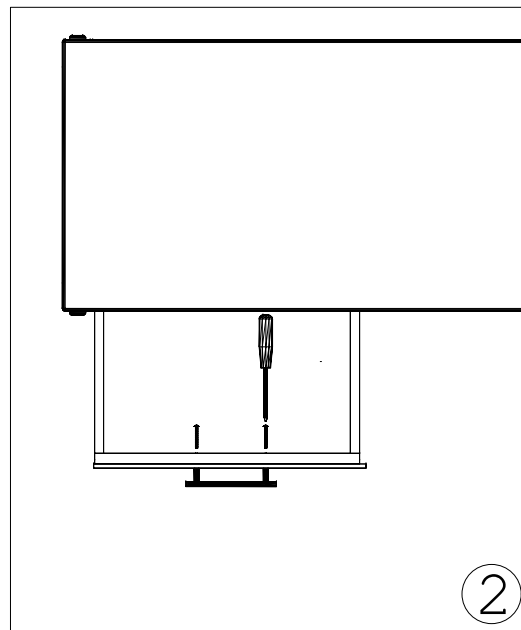
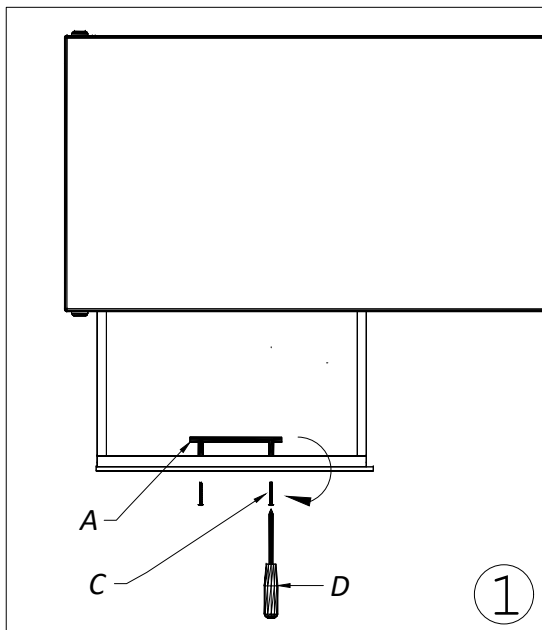
BLAKE DOOR PULL ASSEMBLY INSTRUCTIONS



PARTS LIST	
A	IRON PULL
B	SCREW 3/16"x1"
C	SCREW 3/16"x1.5"
TOOL REQUIRED	
D	PHILLIPS SCREW DRIVER NOT INCLUDED

NOTE:
IRON PULL IS
PRE ASSEMBLED

BLAKE DRAWER PULL ASSEMBLY INSTRUCTIONS



Adjusting Floor Levelers

Your furniture has been expertly crafted and pre-adjusted by professionals. However, slight shifts can occur during transportation. If you notice that the doors are not perfectly aligned or the furniture wobbles, a quick adjustment can help ensure stability and a seamless look.

Step 1: Adjust the Floor Levelers

- **Check for Stability**- Place the furniture in its final position on a level surface. If it wobbles or doesn't sit evenly, the floor levelers need adjusting.
- **Locate the Levelers**- These are small adjustable feet found at the bottom corners of your furniture.
- **Adjust as Needed**- Using your hand or a wrench, turn the levelers clockwise to raise or counterclockwise to lower the furniture. Make small adjustments and check stability after each turn.

