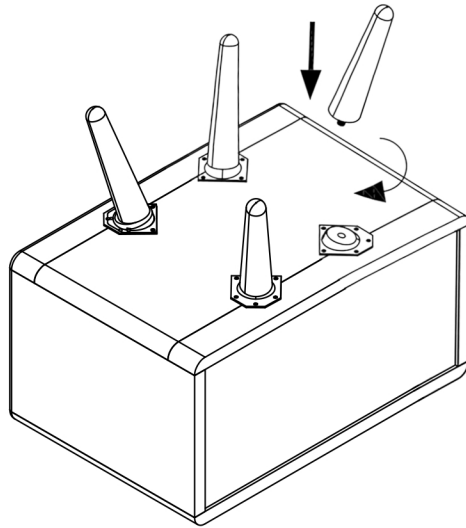


# Bedside Cupboard

## Assembly Instructions

### Step:

Place the cabinet upside down or sideways, and assemble four legs



### Details:

