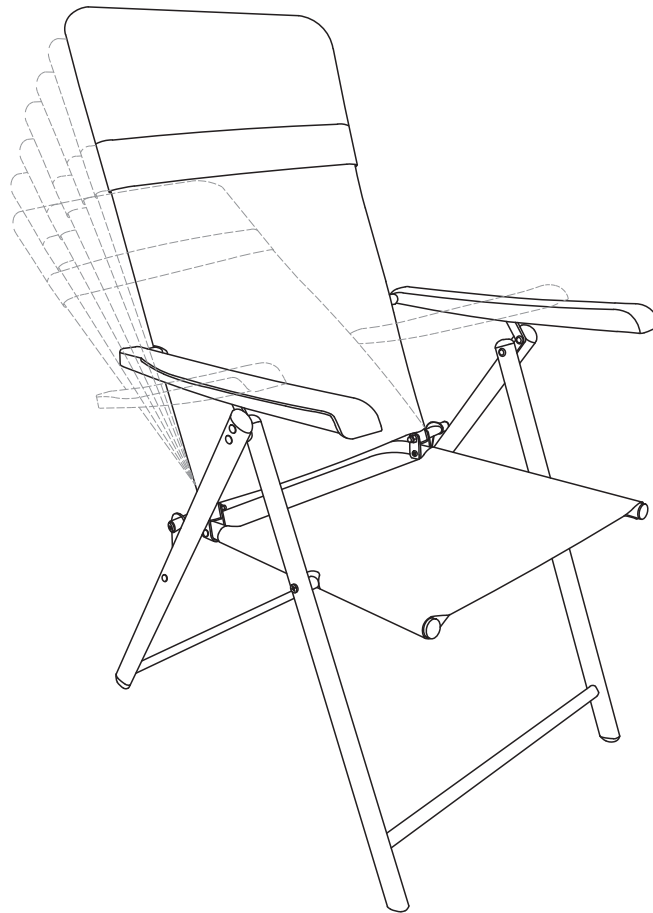


USER MANUAL

PATIO CHAIRS



PRECAUTIONS

⚠ Weight Capacity Safety:

This chair has a maximum weight capacity of 330 lbs (approximately 150kg).

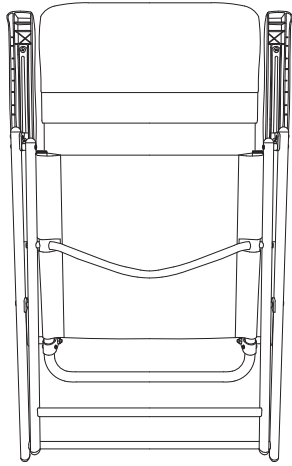
⚠ Product Protection:

When not in use for extended periods, please store in a cool, dry place.

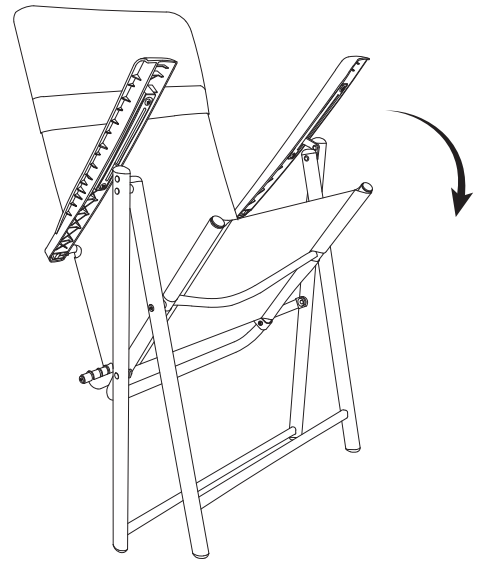
⚠ Folding Operation:

When unfolding/folding, please push gently and slowly. Be careful not to pinch your hands when opening and folding.

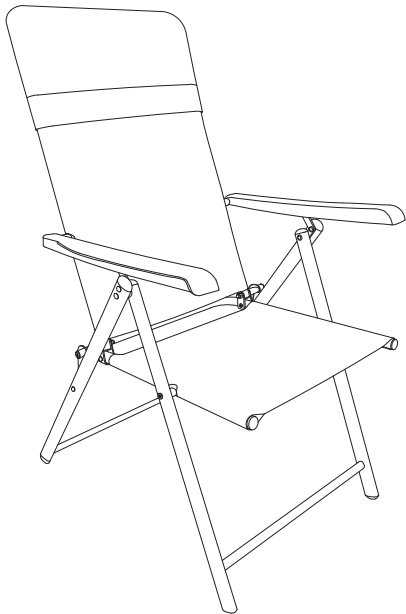
01



02



03



04

Note on angle adjustment: Do not first lean against the back of the chair and then raise the two armrests to adjust the angle.

