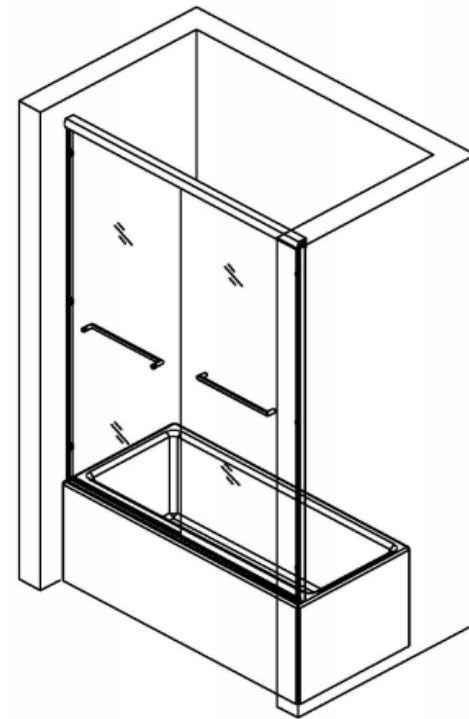


INSTALLATION MANUAL



Please read before using it :)

English

Caution: The corners of tempered glass panels are the most fragile. Therefore, it's essential to use rubber blocks to ensure the glass never touches the tile surface during installation. Always place the glass on cardboard packaging or rubber blocks when it's out of its packaging, both before and during installation. We use rubber blocks to protect the glass, but you can also use wood, cardboard, or other rubber products to prevent breakage.

Attention Installer: A light haze or smudging may be present on the coated glass panels upon delivery. This can be easily removed using alcohol and a high-quality microfiber cloth, followed by rinsing with water. You can clean the glass either before or after installation.

Easy clean coating

Do not clean with strong acid and alkali detergents;
Do not clean with high-concentration alcohol;
Do not wipe with hard and sharp objects.

You may need these...



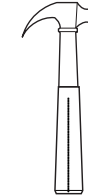
Level



Tape Measure



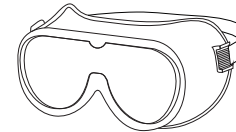
Pencil



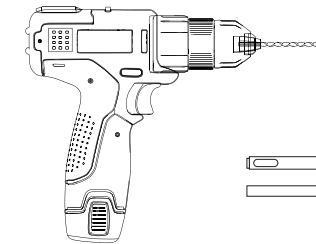
Hammer



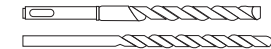
Screwdriver



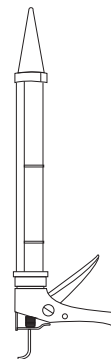
Safety Goggles



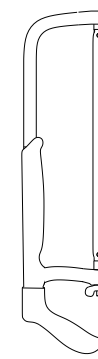
Electric Drill



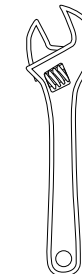
Ø6mm Masonry Drill
Ø3.2mm HSS Drill



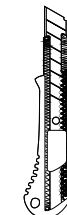
Caulking Gun



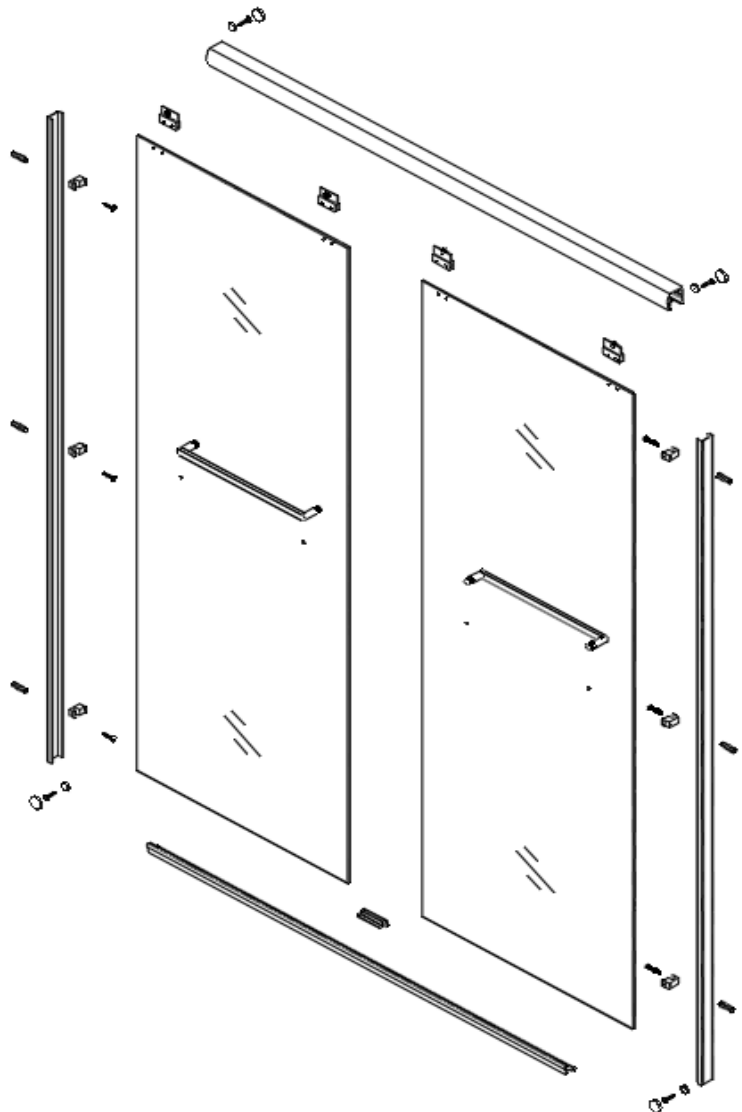
Hacksaw



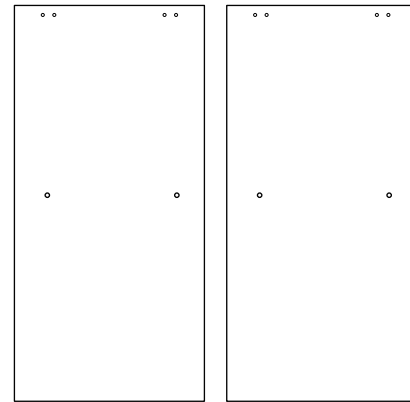
Wrench



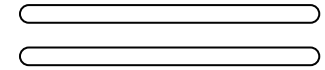
Cutter



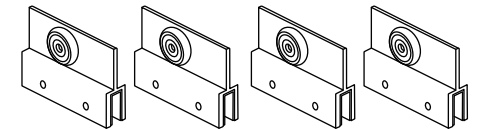
What's inside?



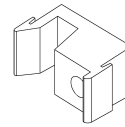
A



B



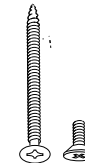
C



D



E



F



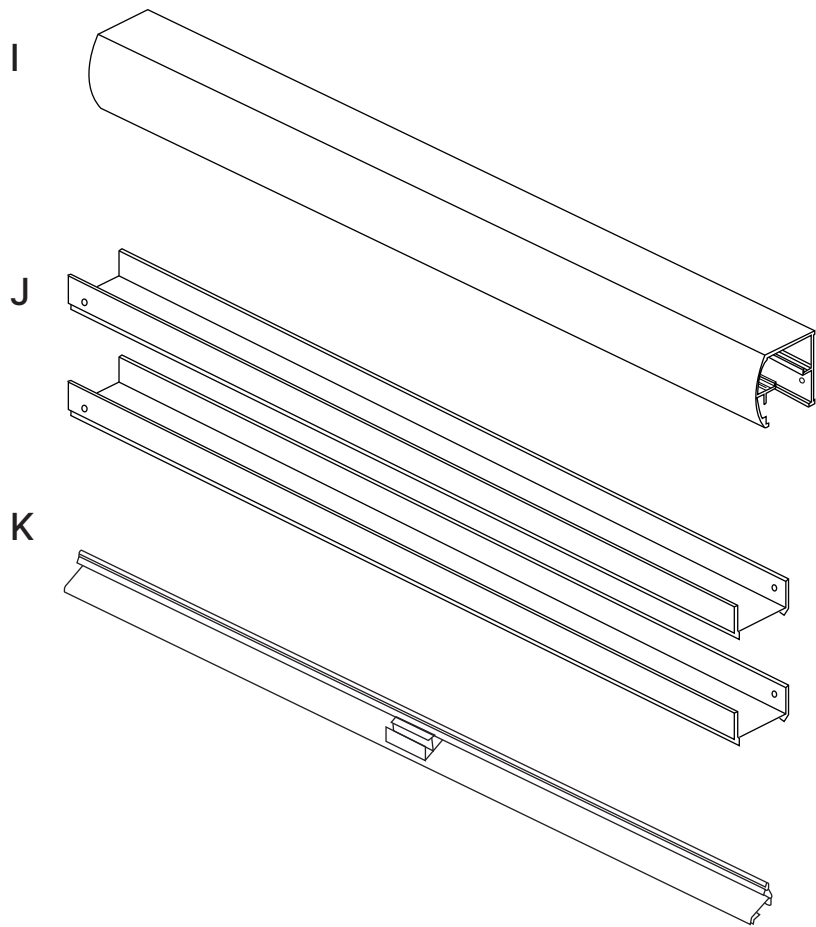
G



H

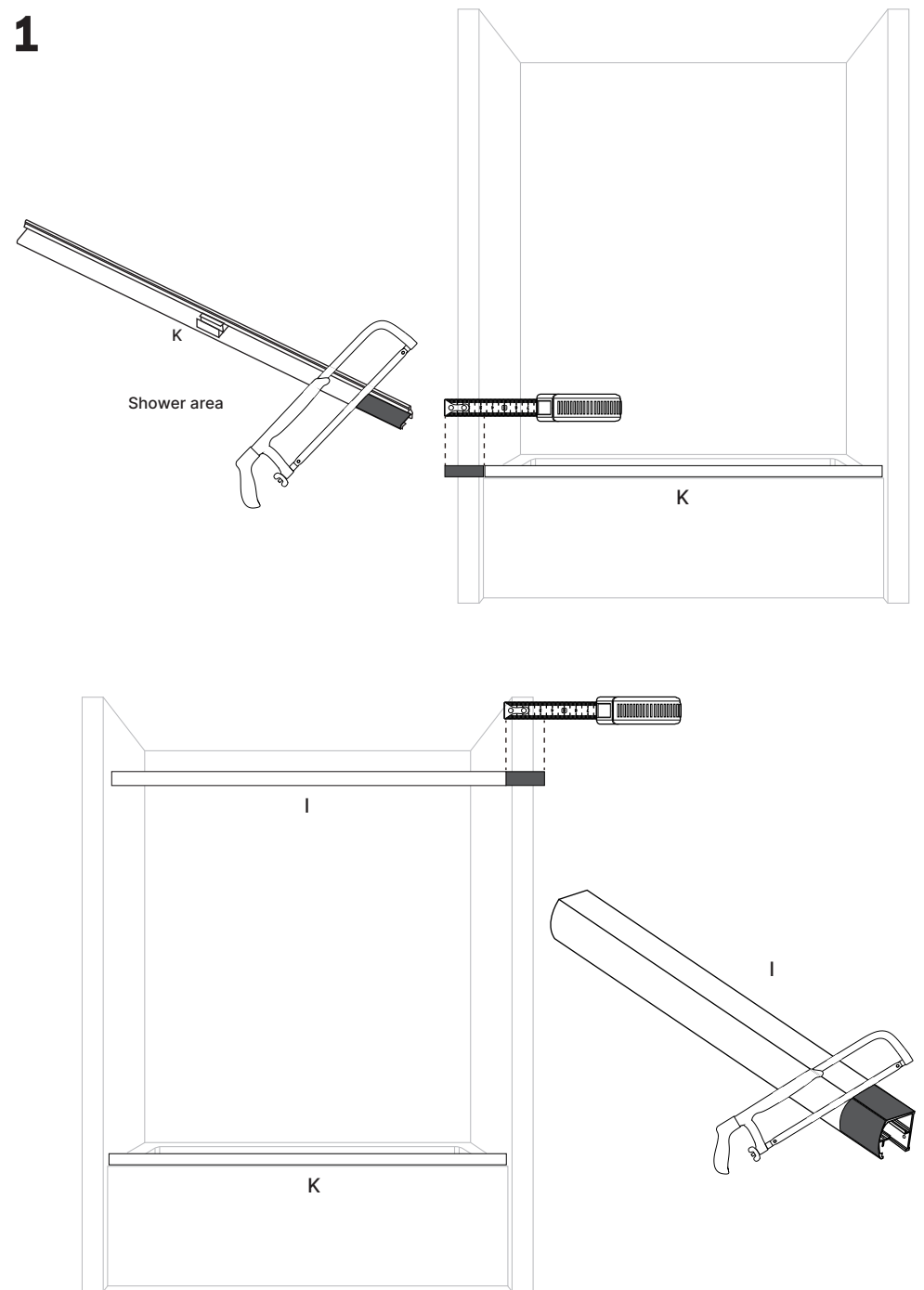
- A** Glass Door x2
- B** Handle x2
- C** Sliding Wheel x4
- D** Bumper Block x6

- E** Wall Anchor x6
- F** Screw-10mm x2
Screw-30mm x6
Machine Screw-10mm x4
- G** Decoration Hat x4
- H** Decoration Hat x4

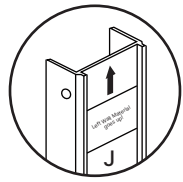


- I Top Rail x1
- J Wall Profile x2
- K Bottom Rail with Slide Block x1

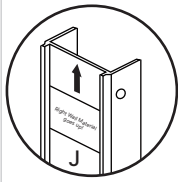
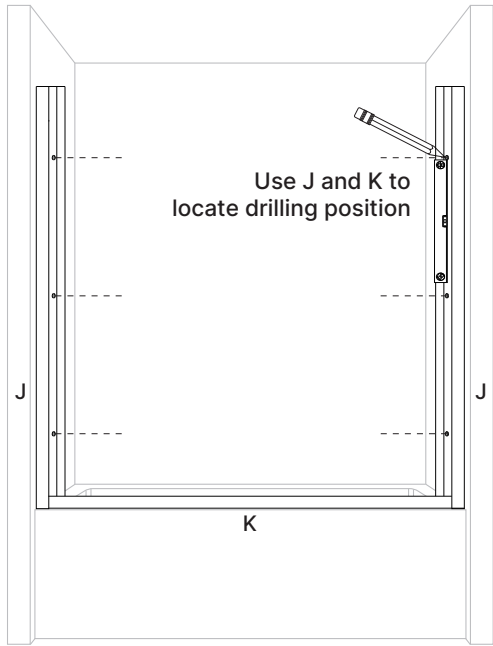
1



3

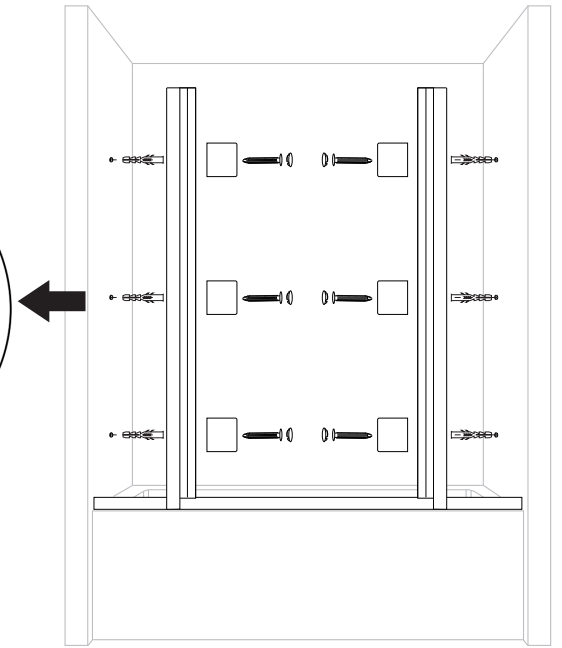
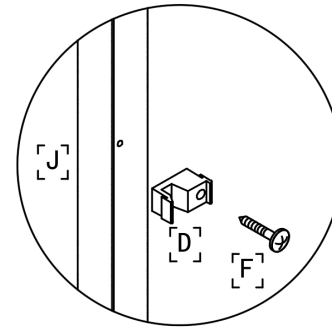


Left

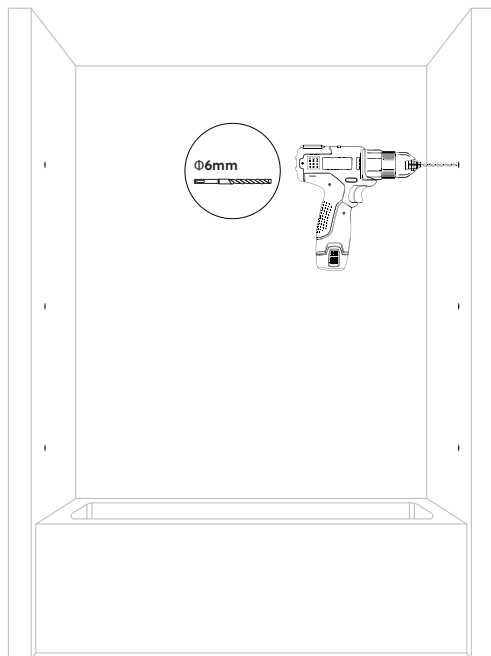


Right

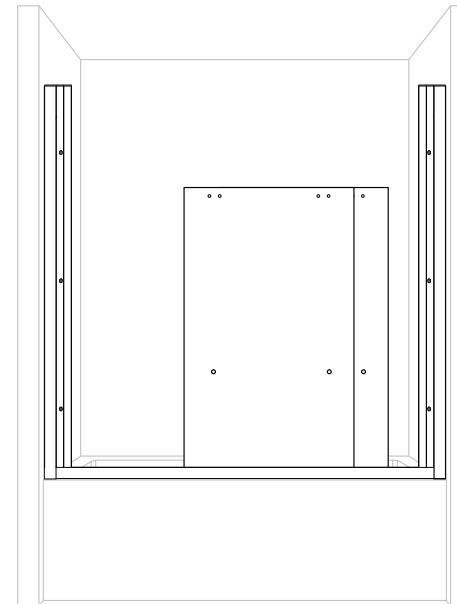
5



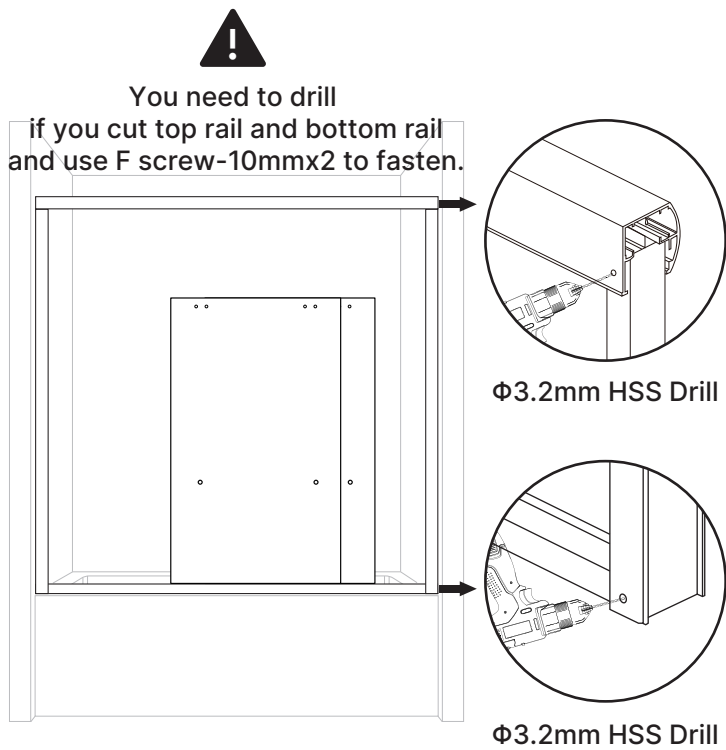
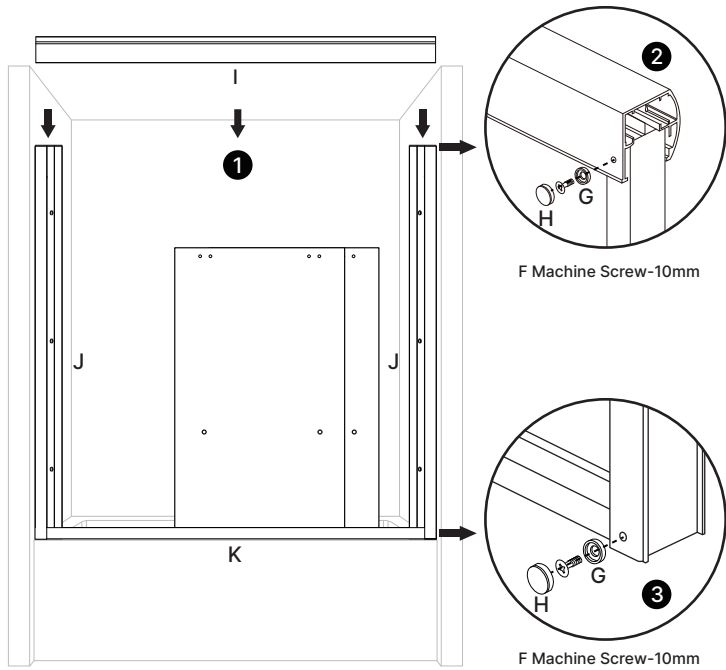
4



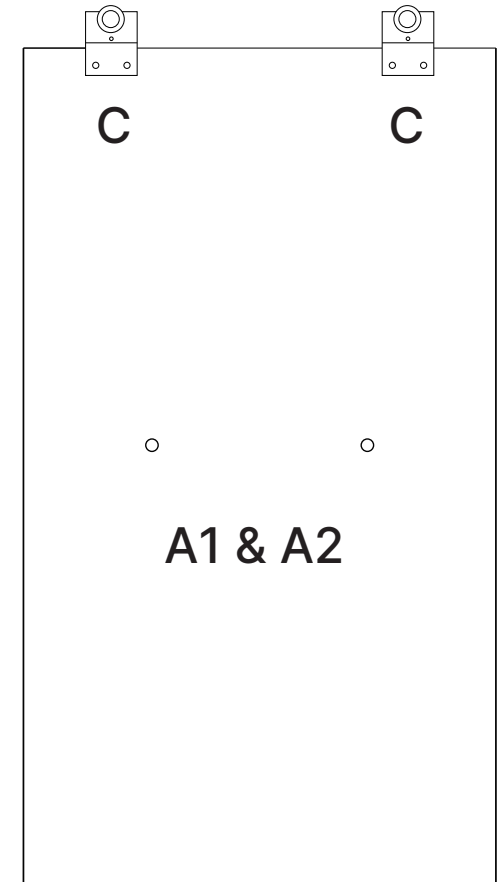
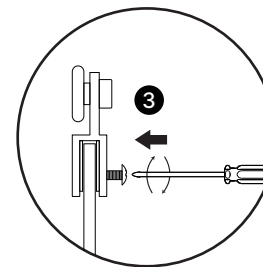
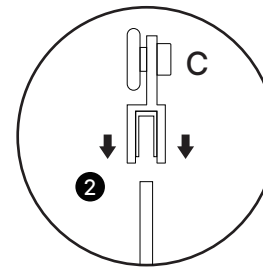
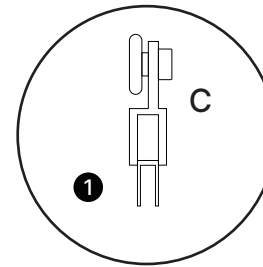
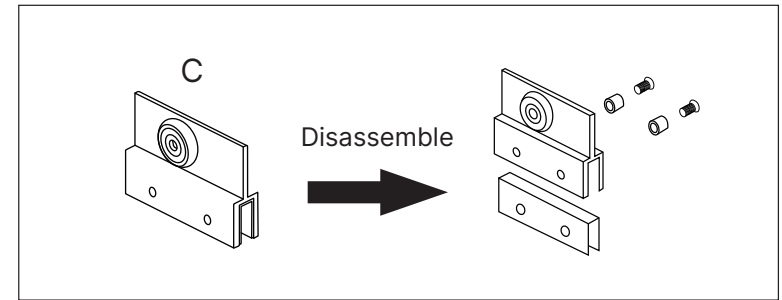
Before drilling, please remove J and K first.



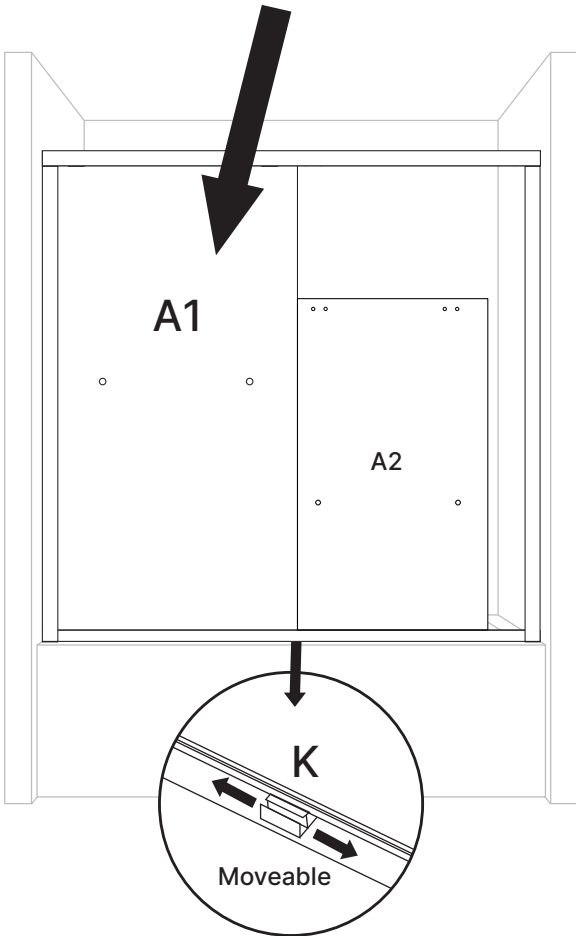
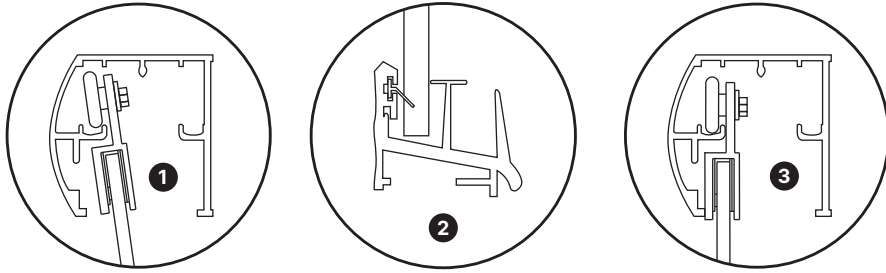
Please move two glass doors in first before installing top track.



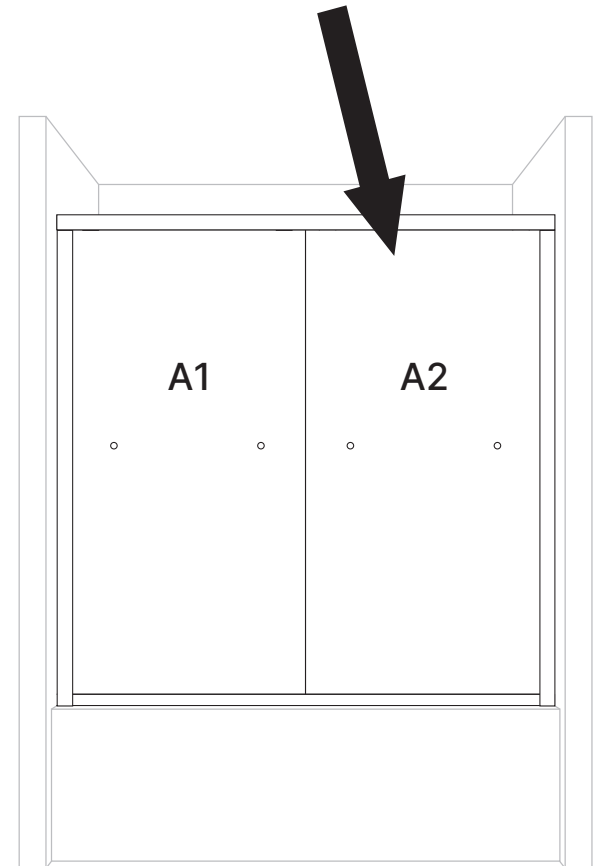
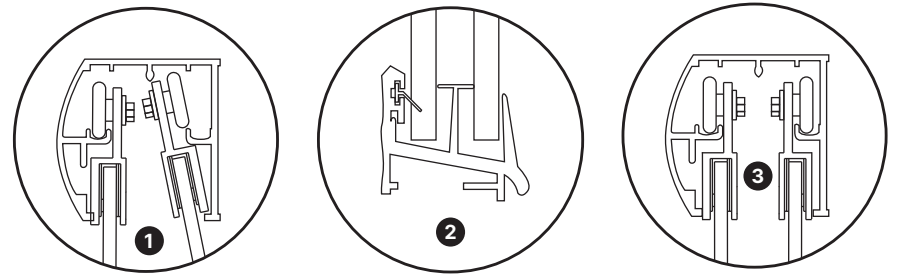
6



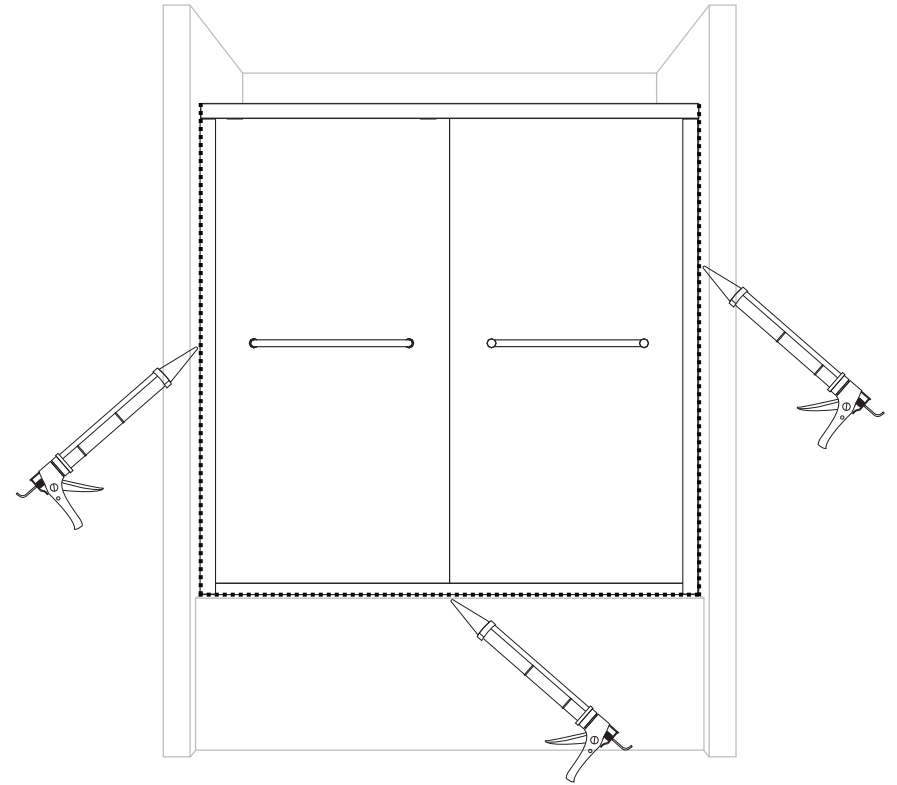
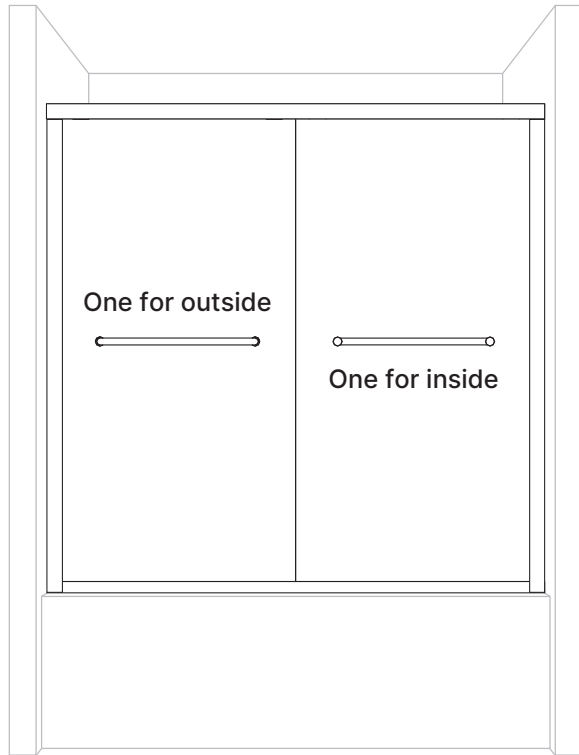
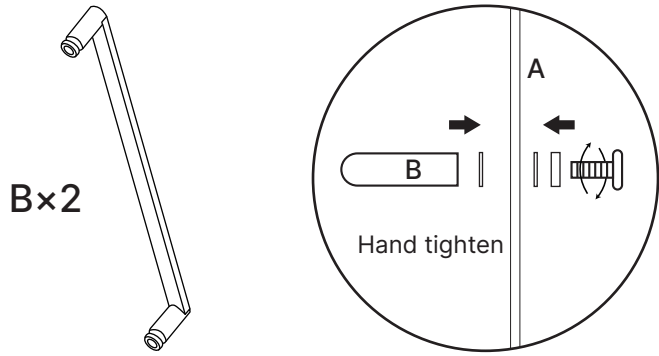
7



8



9



<24h

After applying the adhesive,
set it undisturbed for at least
24 hours before use.