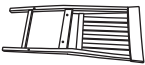
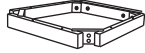
















Assembly Instruction

SLAT BACK BARSTOOL WITH UPHOLSTERED SEAT

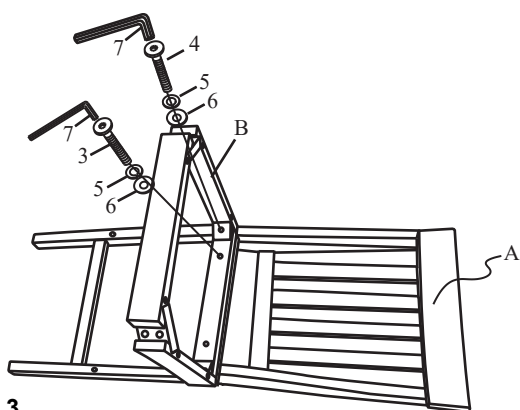
NO	Parts List		Q'TY
A		Chair Back	1
B		Seat Frame	1
C		Upholstered seat	1
D		Left Front Leg	1
E		Right Front Leg	1
F		Left Side Stretcher	1
G		Right Side Stretcher	1
H		Front Stretcher	1

NO	Hardware List		Q'TY
1		8 x 1" Pan Head Screw	6
2		8 x 1.1/4" Pan Head Screw	6
3		M6x 40mm JCBC Bolt	2
4		M6x70mm JCBC Bolt	6
5		M6x13mm Lock Washer	8
6		M6.5x16.5mm Flat Washer	8
7		M4 x 2.1/2" Allen Key	1
8		Assembly Glue	1

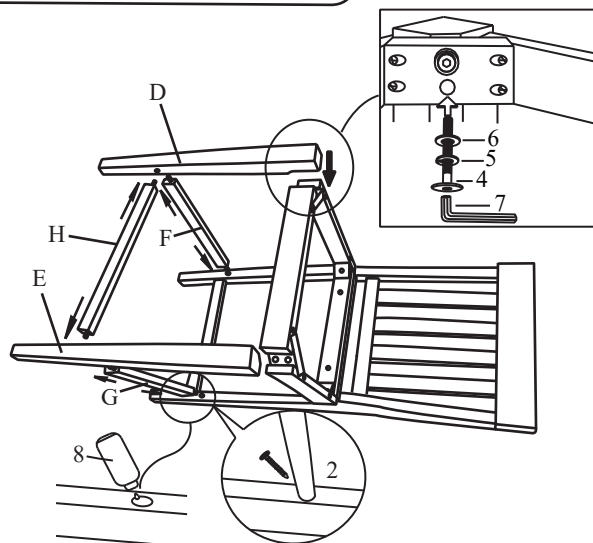
Important Note
Do not use power tool for assembly.
All bolt must fasten either by wrench or Allen Key.



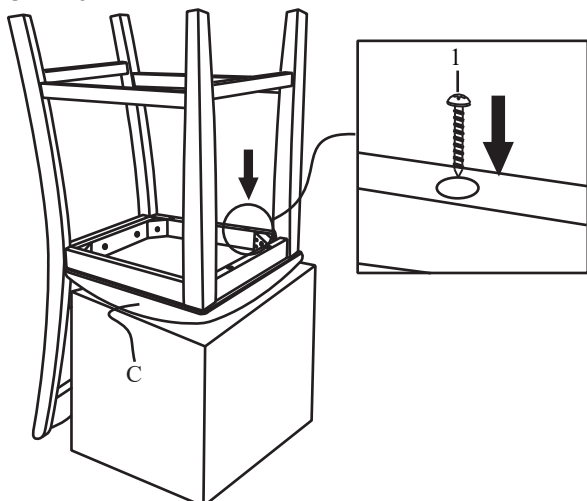
STEP 1 Do not fully tighten the bolt



STEP 2 Do not fully tighten the bolt



STEP 3



STEP 4

Levelling solution: Loosen each bolt in the seat box (front legs, back corner blocks and back apron) to the point where it can be turned with our fingers. Place the Chair/Stool upright on the floor and make sure Chair/Stool back and seat frame are well connected. Sit in the Chair/Stool, but do not lean against the Chair/Stool back. Gently sway back and forth, left and right. Carefully turn the Chair/Stool upside down, and tighten each bolt. The Chair/Stool will now be levelled.

