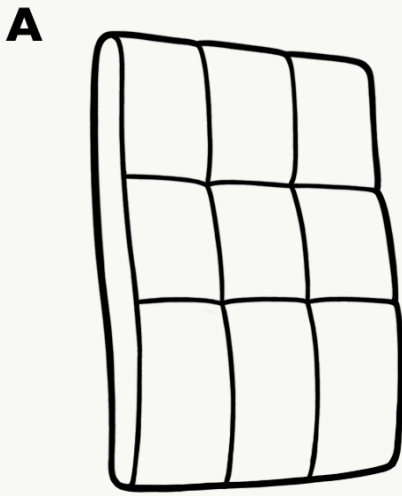


INSTRUCTION MANUAL

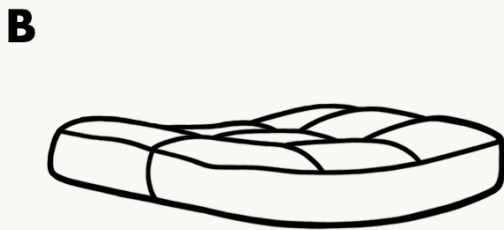


Instructions side 1

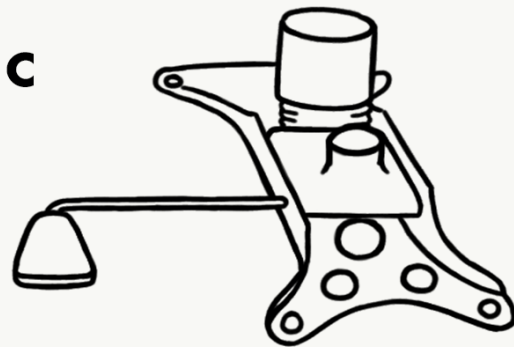
2 people recommended
for assembly



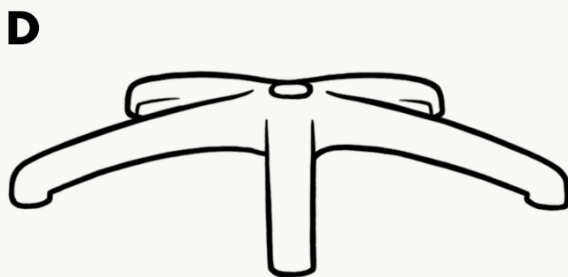
x1



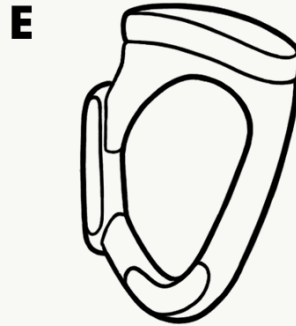
x1



x1



x1



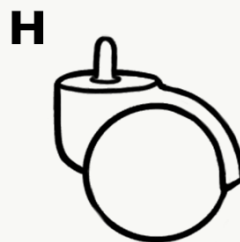
x2



x1



x1



x5

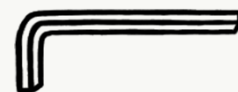


x2

J



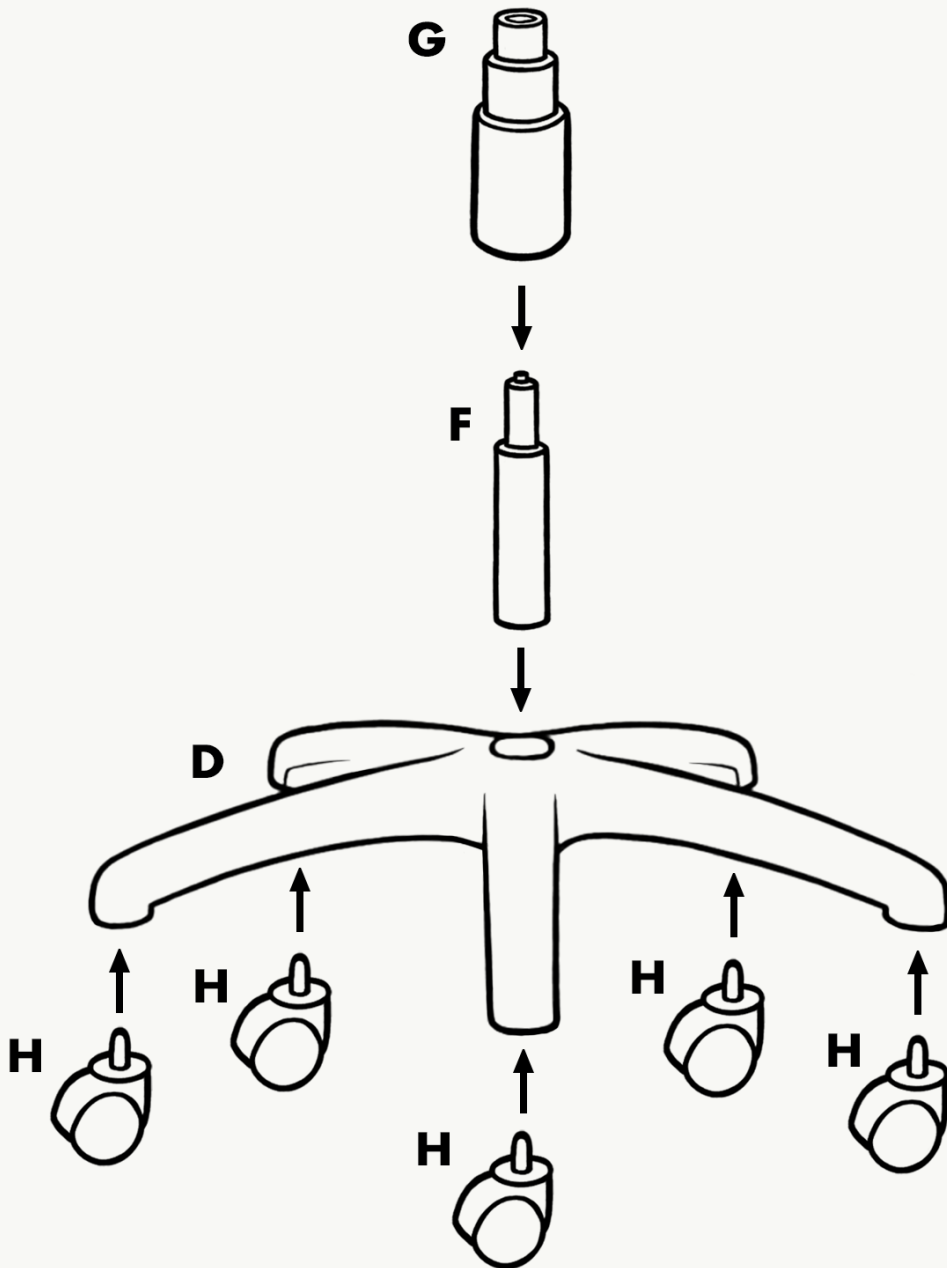
x12



Tools Included

1

Insert gas lift* (F) into star base (D) and cover with telescopic cover (G). Pop wheels (H) into sockets in D



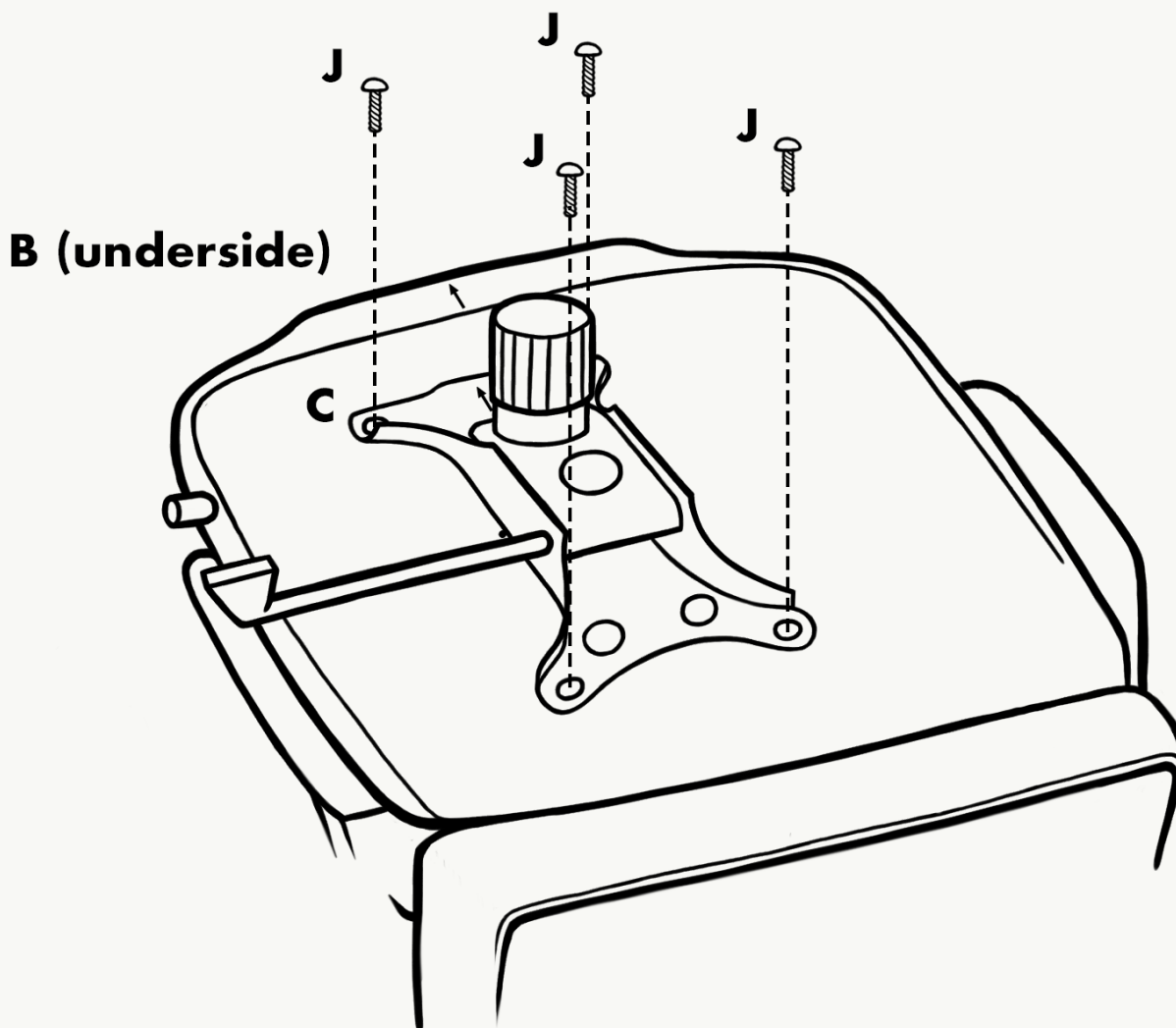
*No adhesive required. The gas lift will become secure in the star base when the seat is attached and sat on.

Parts needed in step 1:

Star base (D)	x1	Wheels (H)	x5
Gas lift (F)	x1		
Telescopic cover (G)	x1		

Instructions side 2

- 2** Screw metal plate (C) onto bottom of seat (B). Make sure that the arrow on C faces the same way as the arrow on the front of the chair

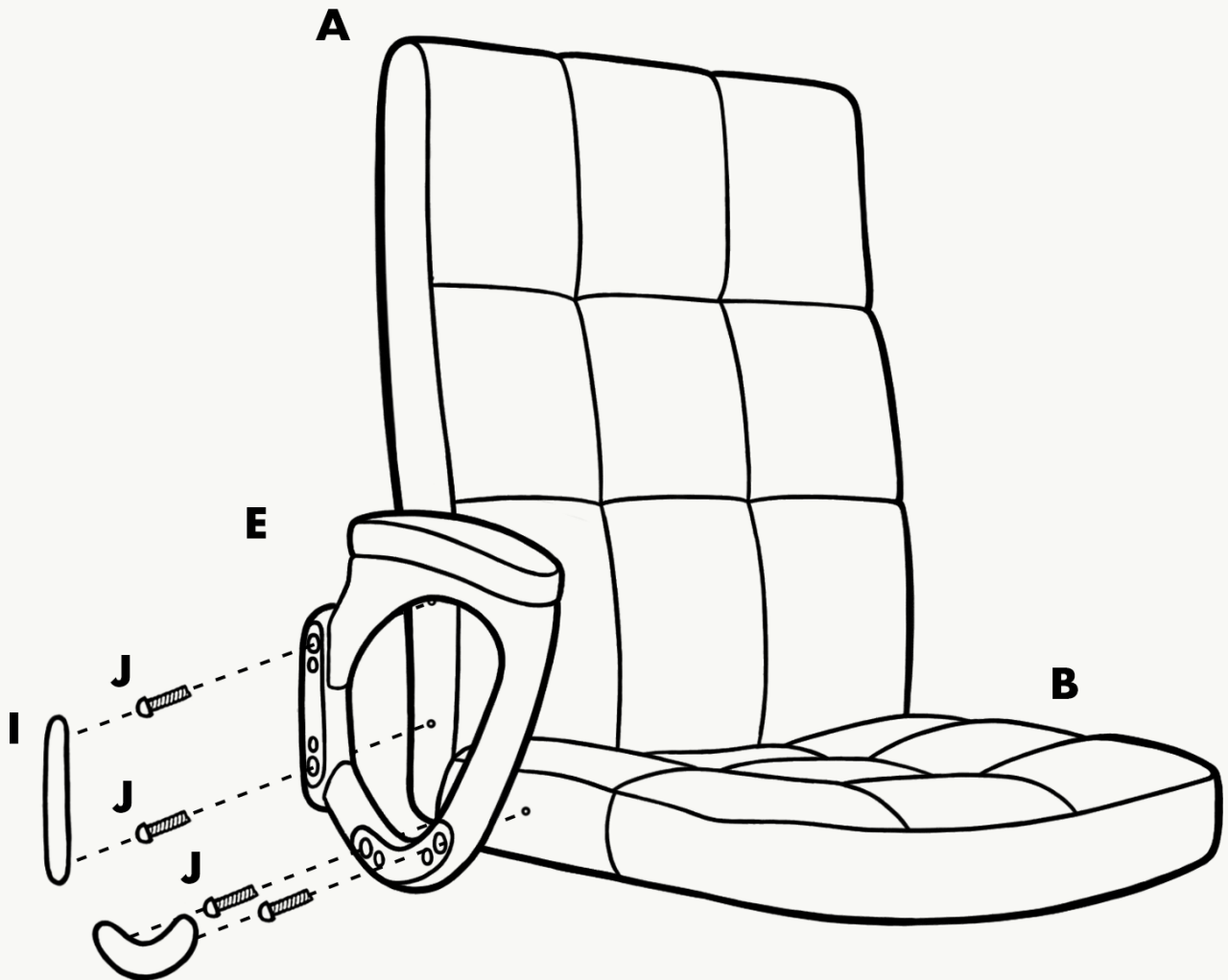


Parts needed in step 2:

Chair seat (B)	x1
Metal base (C)	x1
Screws (J)	x4

3

Screw armrests (E) halfway onto chair back (A) and seat (B). Tighten fully once all screws are in. Then attach screw covers (I)



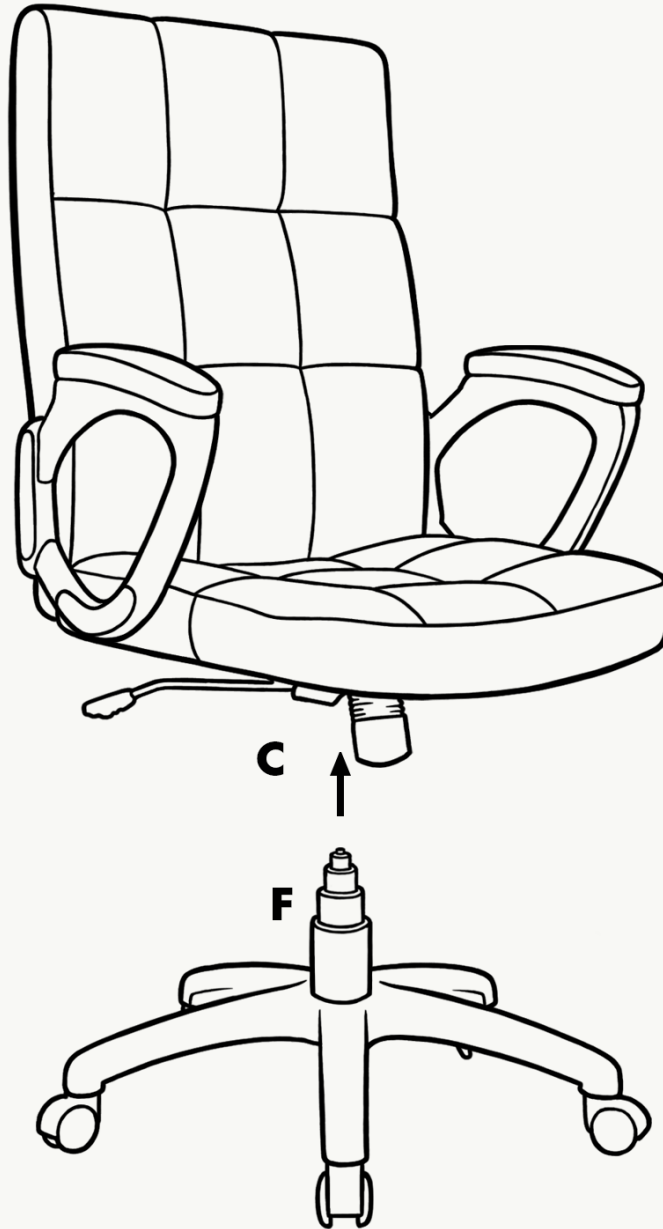
Parts needed in step 3:

Completed step 2 x1
Chair back (A) x1
Armrests (E) x2

Screw covers (I) x2
Screws (J) x8

Instructions side 3

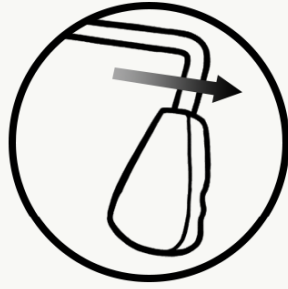
- 4** Insert top of gas lift (F) into hole in metal plate (C)



Parts needed in step 4:

Completed step 1 x1

Completed step 3 x1



Tilt function

Pull the lever out and lean back

Height adjustment

To raise and lower the seat, lift the lever.



Note: screws may loosen over time and so should be tightened every 3–6 months.

Dimensions ($\pm 3\text{cm}$)

Back height: 74cm

Seat width: 52cm

Seat depth: 48cm

Seat height: 45~55cm

Armrest height: 70~80cm