

# "Zero. Gravity Chair "

---

USE AND CARE GUIDE  
USE AND CARE GUIDE





Please kindly email: **Lounge-Chair@outlook.com**

Question about your product? We are here to help.

---



Chat Support



Product Inquiry



Orders FAQ



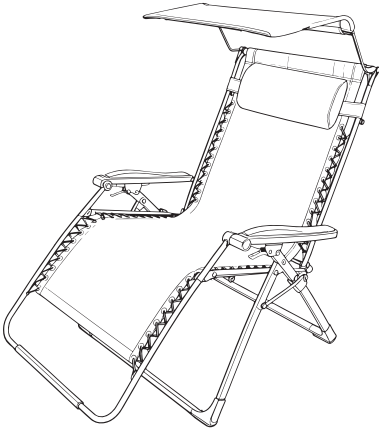
Product Assembly



Returns & Refunds

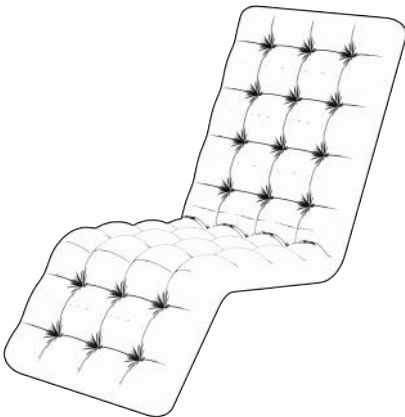
**WHAT YOU GET**

**A**



**CHAIR x1**

**B**



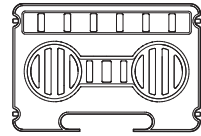
**CUSHION SLEEVE x1**

**C**



**HEAD CUSHION x1**

**D**



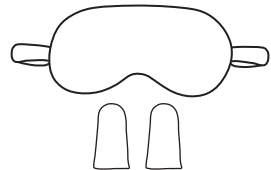
**ACCESSORY TRAY x1**

**E**



**FOOTREST x1**

**F**



**EYE MASK & EARPLUGS x1**

## NOTE!

- 1.To avoid pinching, please do not put your fingers to the inside of the latch when you adjust to the angle.
- 2.To avoid tipping over, please do not sit in the backrest position.

## WARNING

- Please use this chair for sitting purposes only; do not use it for any other activities.
- Exercise caution when folding and unfolding the chair to prevent pinching your fingers.
- When transporting, kindly fold the chair for ease and safety.
- Use the chair on a flat and stable surface for your safety.
- To prevent damage or tipping over, do not use the chair with more than two people simultaneously.
- Children should sit within the supervision of their guardians and should not use the chair alone. Infants and young children are not allowed to use it.
- Please be mindful of the slightly raised screw that secures the lock; refrain from touching it with your feet during use. When retracting the chair, take care not to catch any clothing material.

## CARE AND GUIDE

- ① Avoid prolonged exposure to direct sunlight, heat, rain, and similar conditions, as it may result in deformation, discoloration, and rusting of the chair.
- ② Please take note that extended usage can cause scratches on the steel frame, frequent peeling, rusting, and corrosion of the coating. Additionally, exposure to water and sweat can lead to fading.
- ③ When cleaning, gently wipe with a mild, neutral detergent for decontamination.

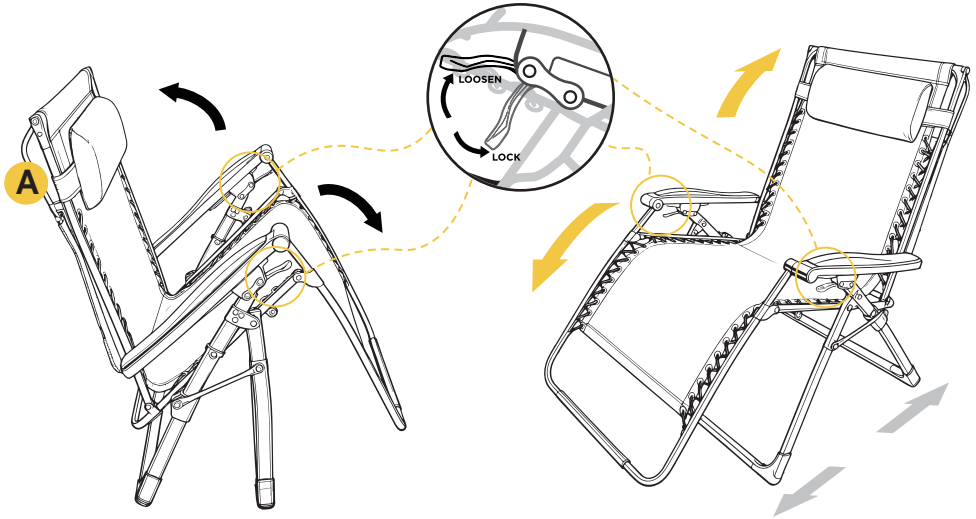
## PARAMETERS OF THE CHAIR

Name	Zero Gravity Chair-L	Zero Gravity Chair-XL	Zero Gravity Chair-XXL
<b>Size</b>	L(26IN )	XL(29IN)	XXL(33IN)
<b>Outer Width</b>	26IN	29IN	33IN
<b>Inner Width</b>	20.5IN	22.4IN	27.2IN
<b>Curve length</b>	69IN	69IN	69IN
<b>Tube Diameter</b>	40*20mm	40*20mm	40*20mm
<b>Tube Thickness</b>	1mm	1mm	1mm

## INSTALLATION STEPS

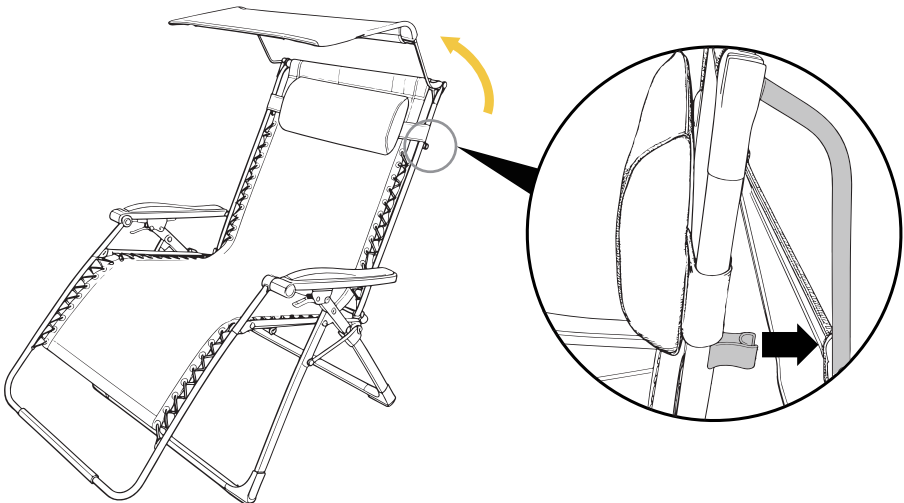
# 1

Pull the part A chair open to spread the legs apart.  
(Please keep it unlocked when opening or storing)



# 2

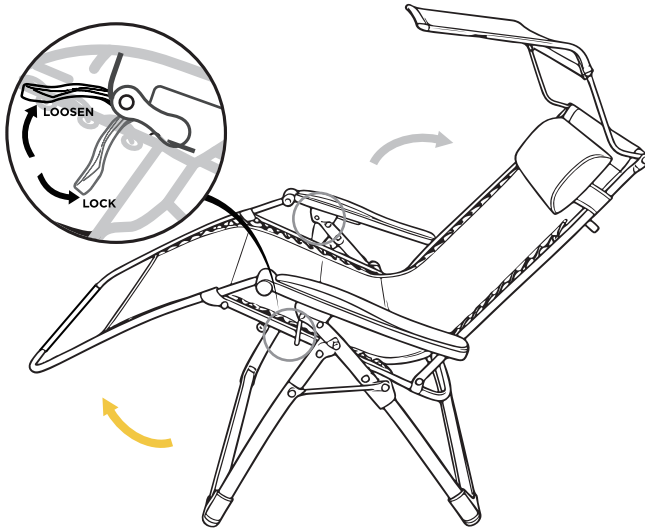
Remove the metal tubes on both sides of the sunshade from the plastic parts on the back of the recliner, flip them over to the front of the recliner, and adjust the sunshade to a suitable angle to block the sun.



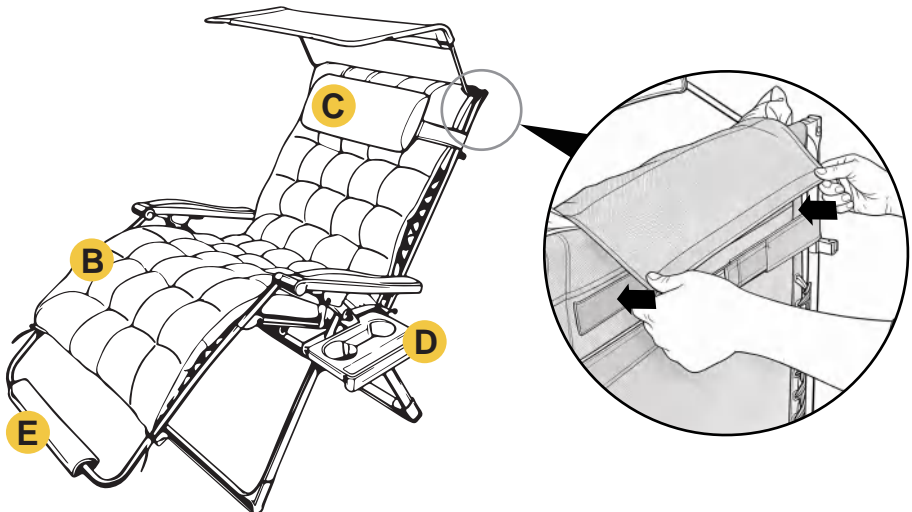
## INSTALLATION STEPS

**3**

Lift the handles up on both sides and recline the chair. Push the handles back to lock the chair at your desired position.

**4**

Remove the headrest (part C) from the seat (part A). Then, secure the cushion (part B) to the seat using Velcro, and then secure it to the seat frame with the four straps. Reinstall the headrest (part C). Install the footrest (part E) onto the footrest.

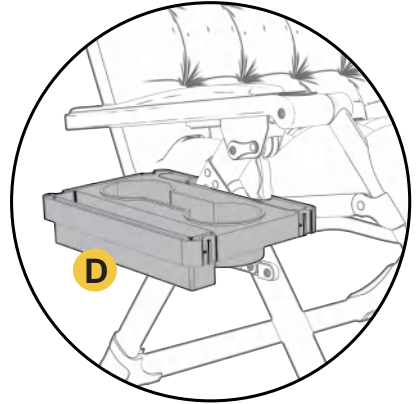
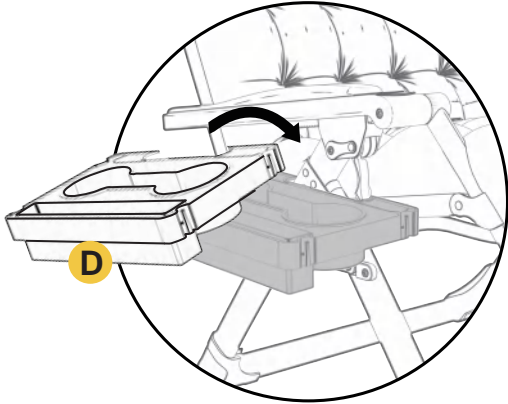


## INSTALLATION STEPS

# 5

To install the part D accessory tray , slide the tray over the leg hinge and push down to lock it in place.

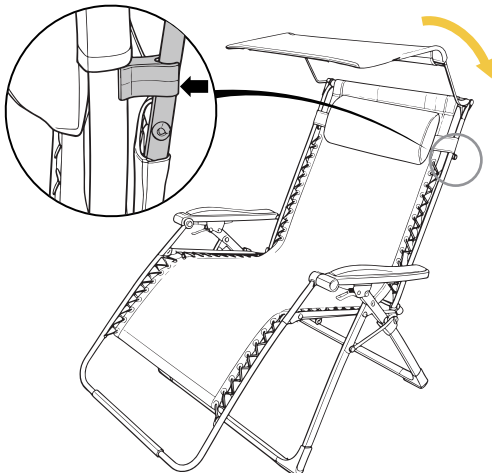
**NOTE : REMOVE THE ACCESSORY TRAY BEFORE FOLDING THE CHAIR.**



## STORAGE STEPS

# 1

Remove the cup holder and cotton pad, and lower the sunshade.



# 2

To return to an upright position , lift handles up place a foot on the back chair leg , and push the backrest upright.

