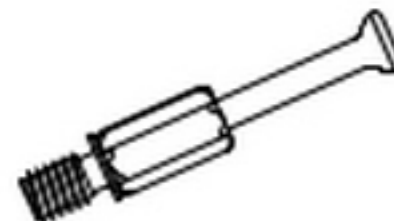



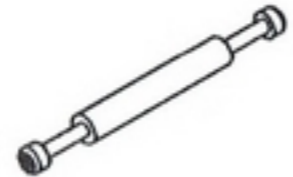







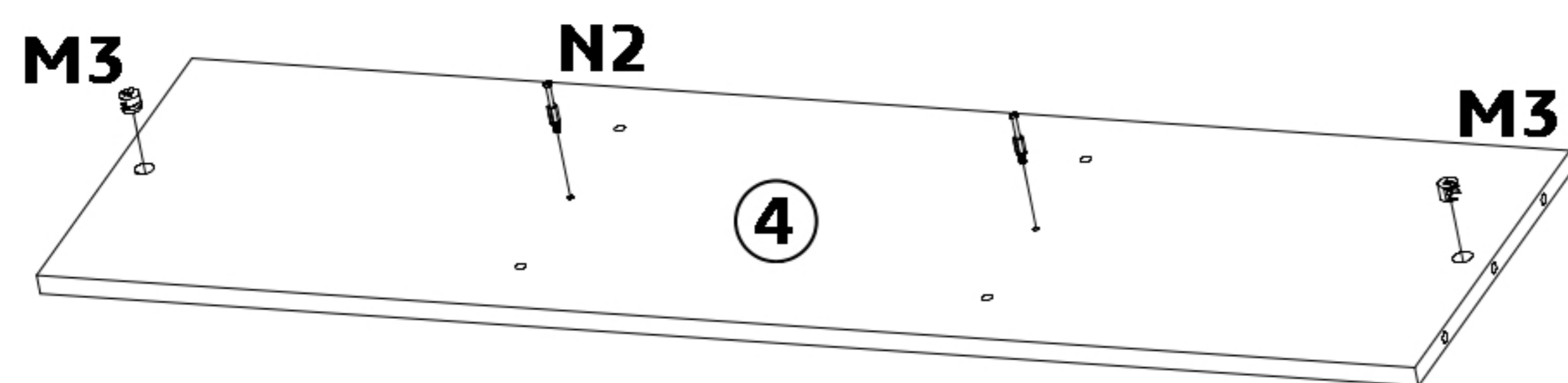
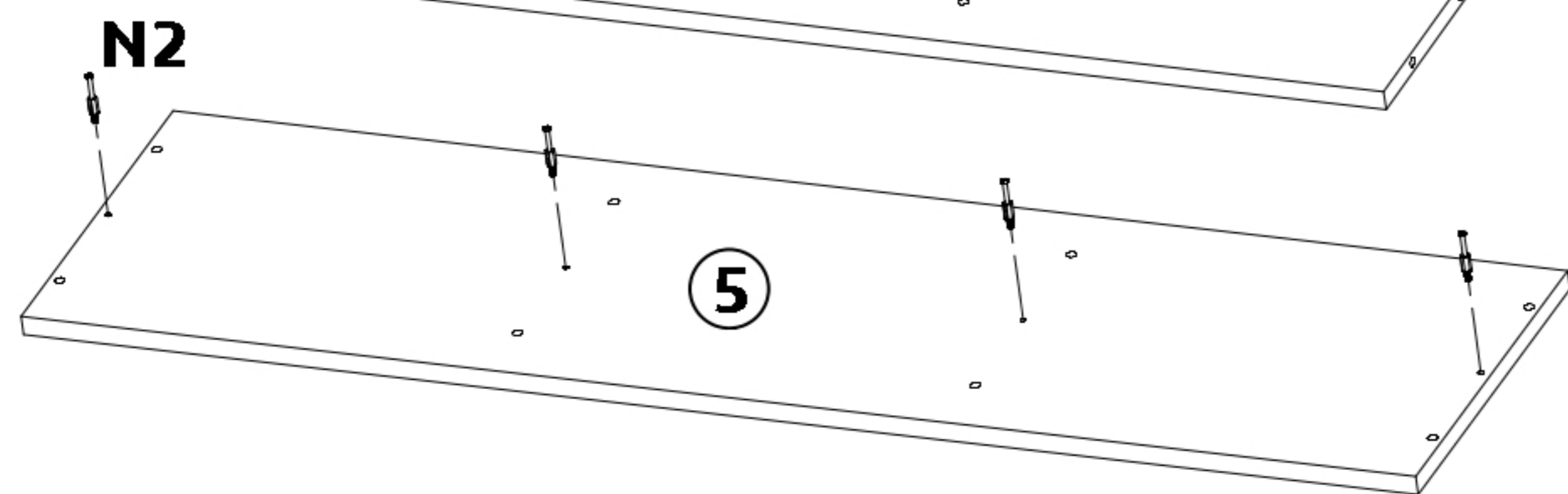
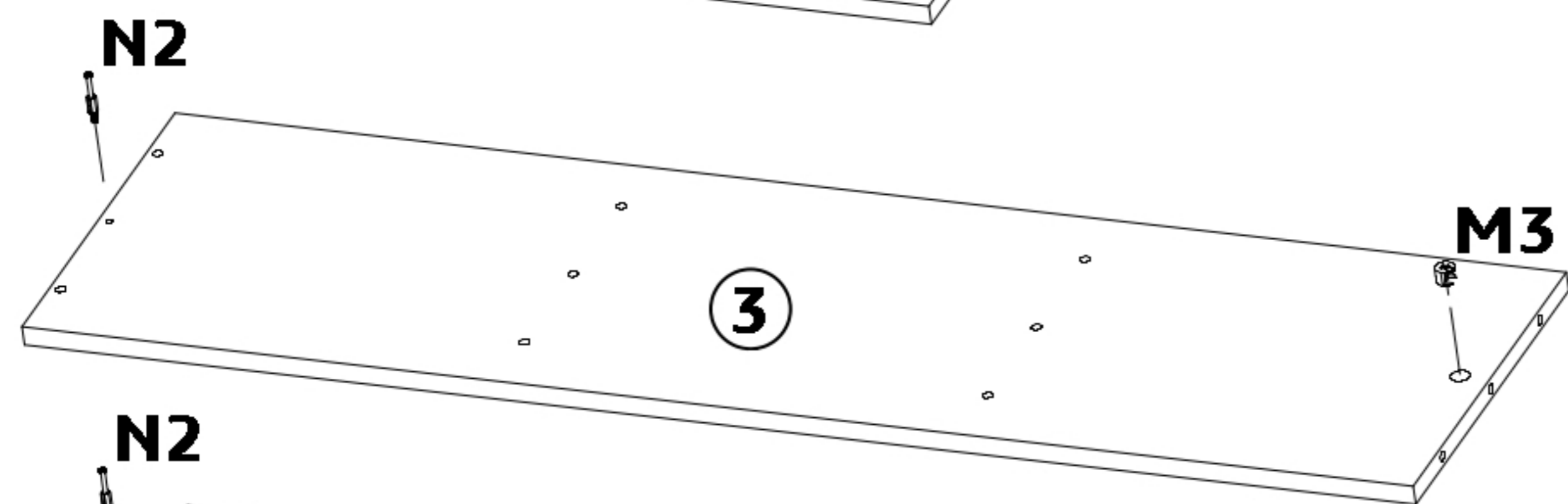
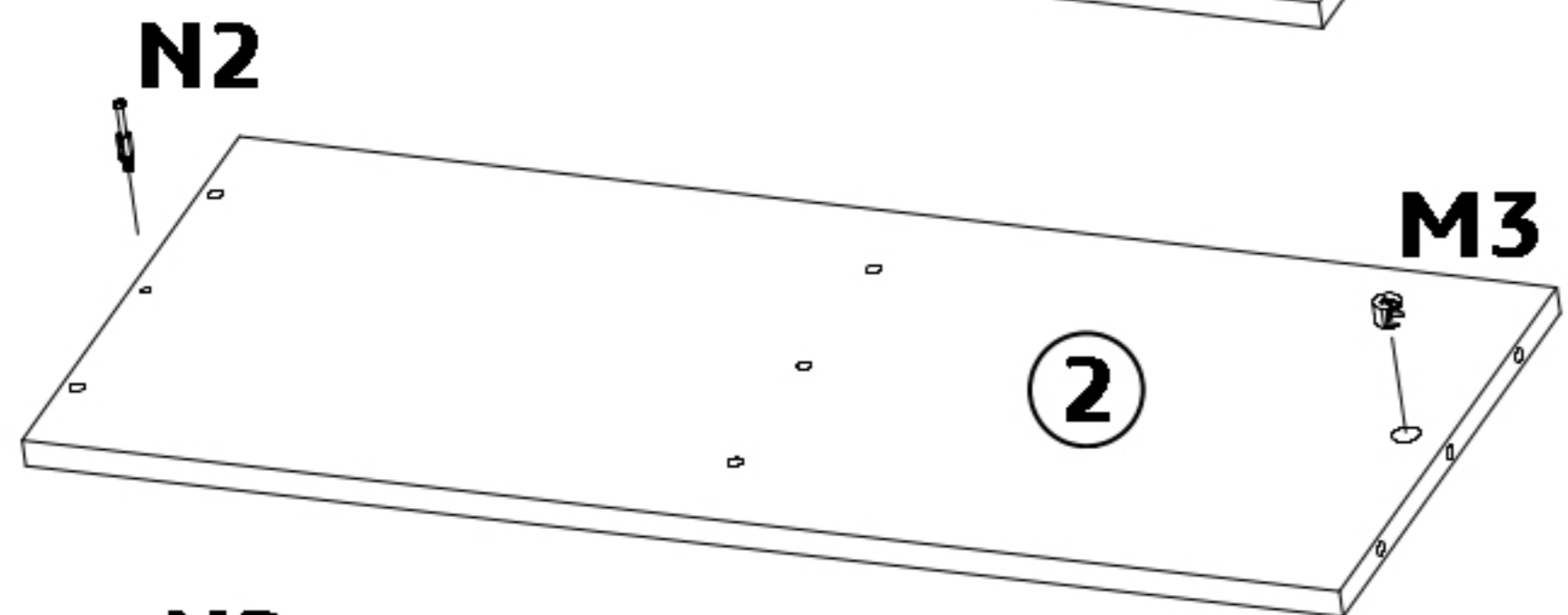
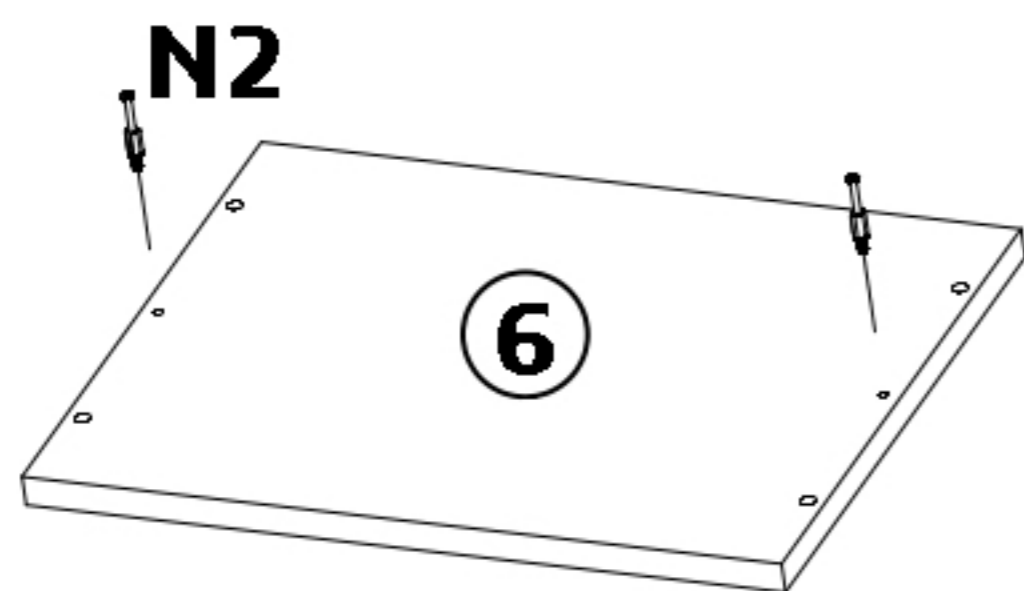
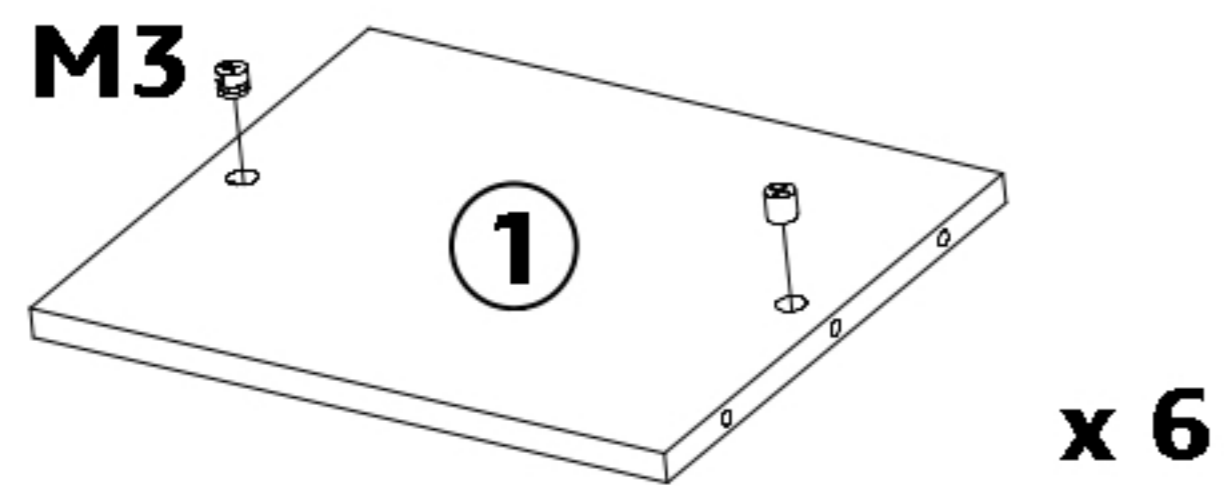
<b>N2</b>  20,3 x 10	<b>M3</b>  x 16	<b>E1</b>  8x30 x 20	<b>E3</b>  8x50 x 6	<b>N3</b>  L=56 x 3	<b>T1</b>  x 6	<b>M2</b>  x 16	 GLUE x 1
---	--	---	---	--	---	--	--

<b>1</b>	x 6
<b>2</b>	x 1
<b>3</b>	x 1
<b>4</b>	x 1
<b>5</b>	x 1
<b>6</b>	x 1


# 1


**N2**  
  
20,3 x 10


**M3**  
  
x 16

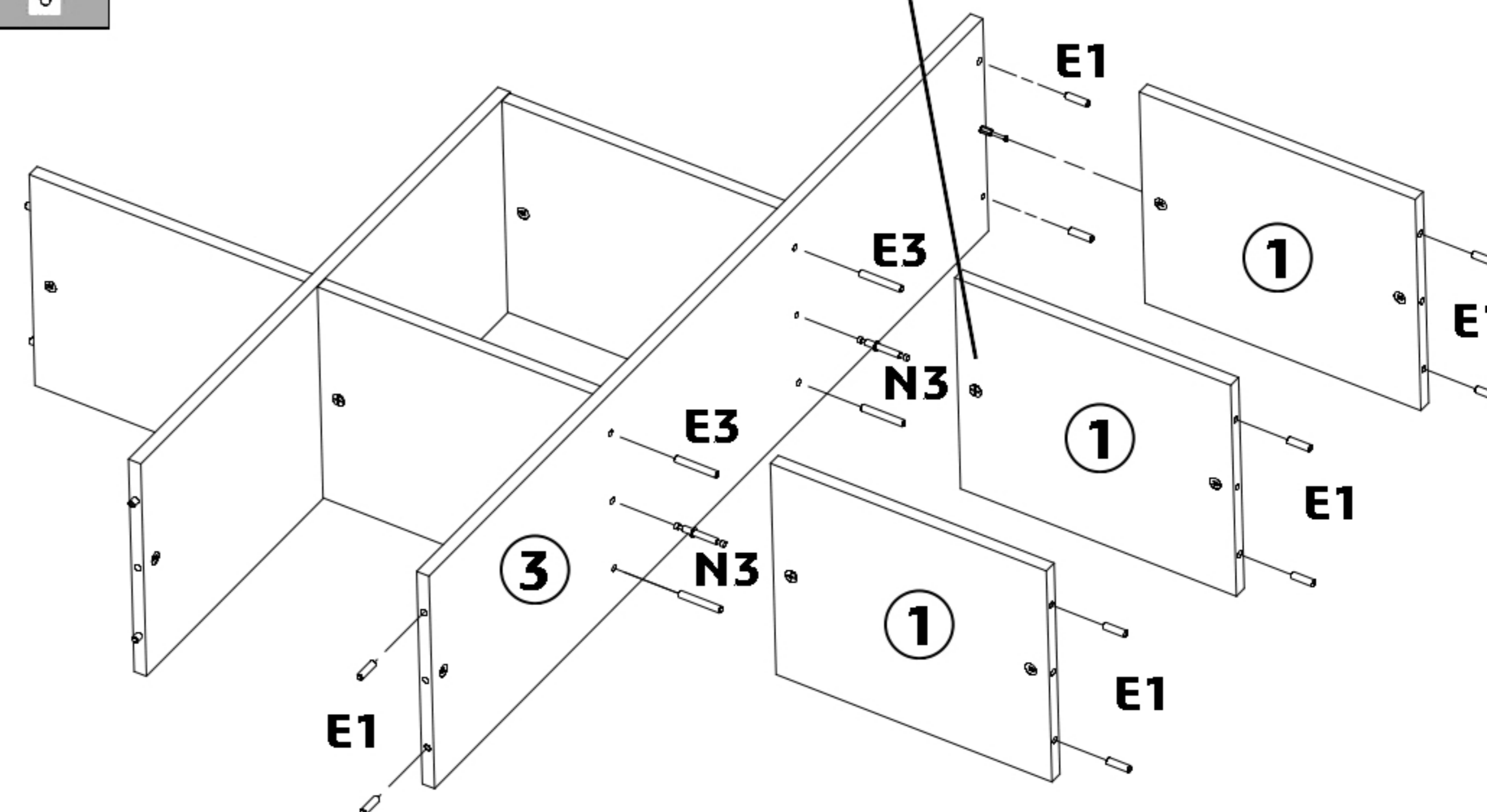
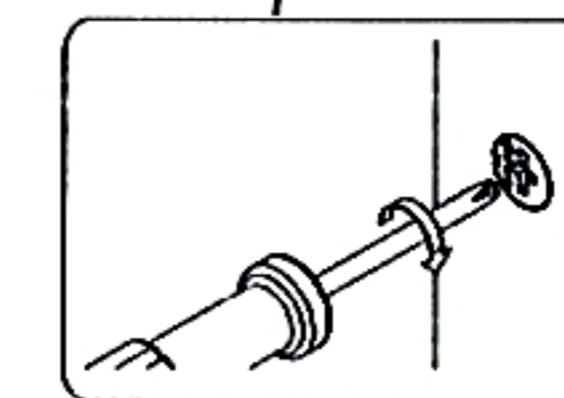
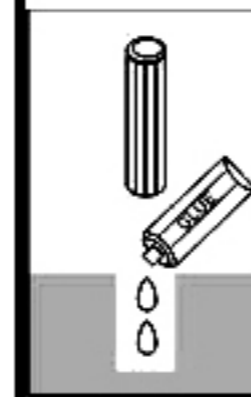
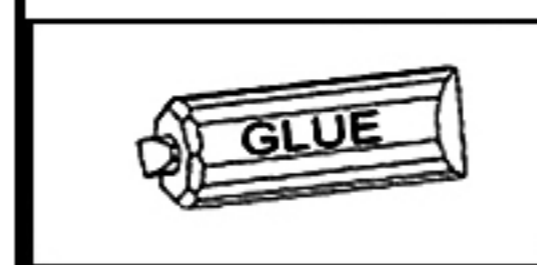
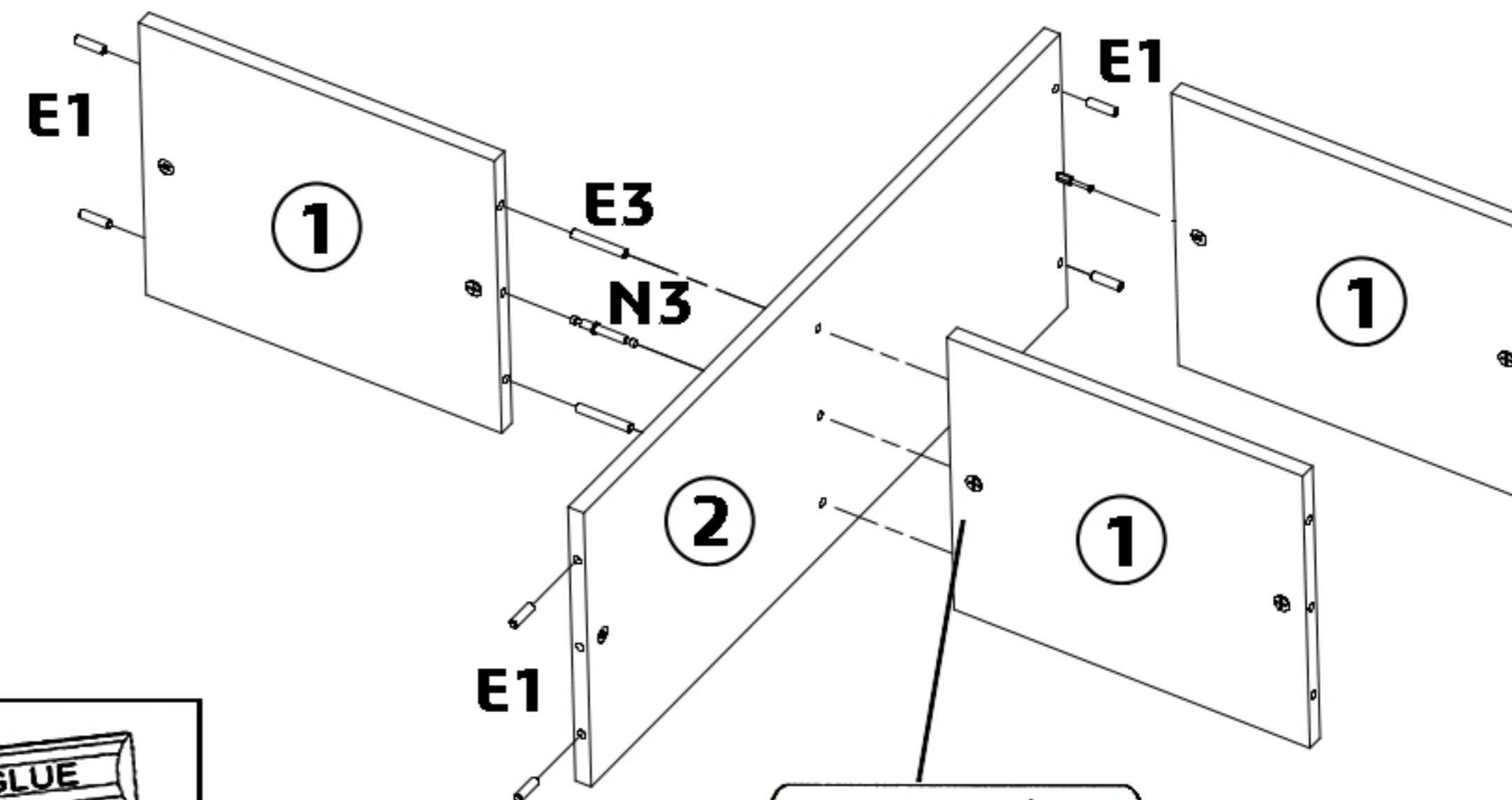


# 2

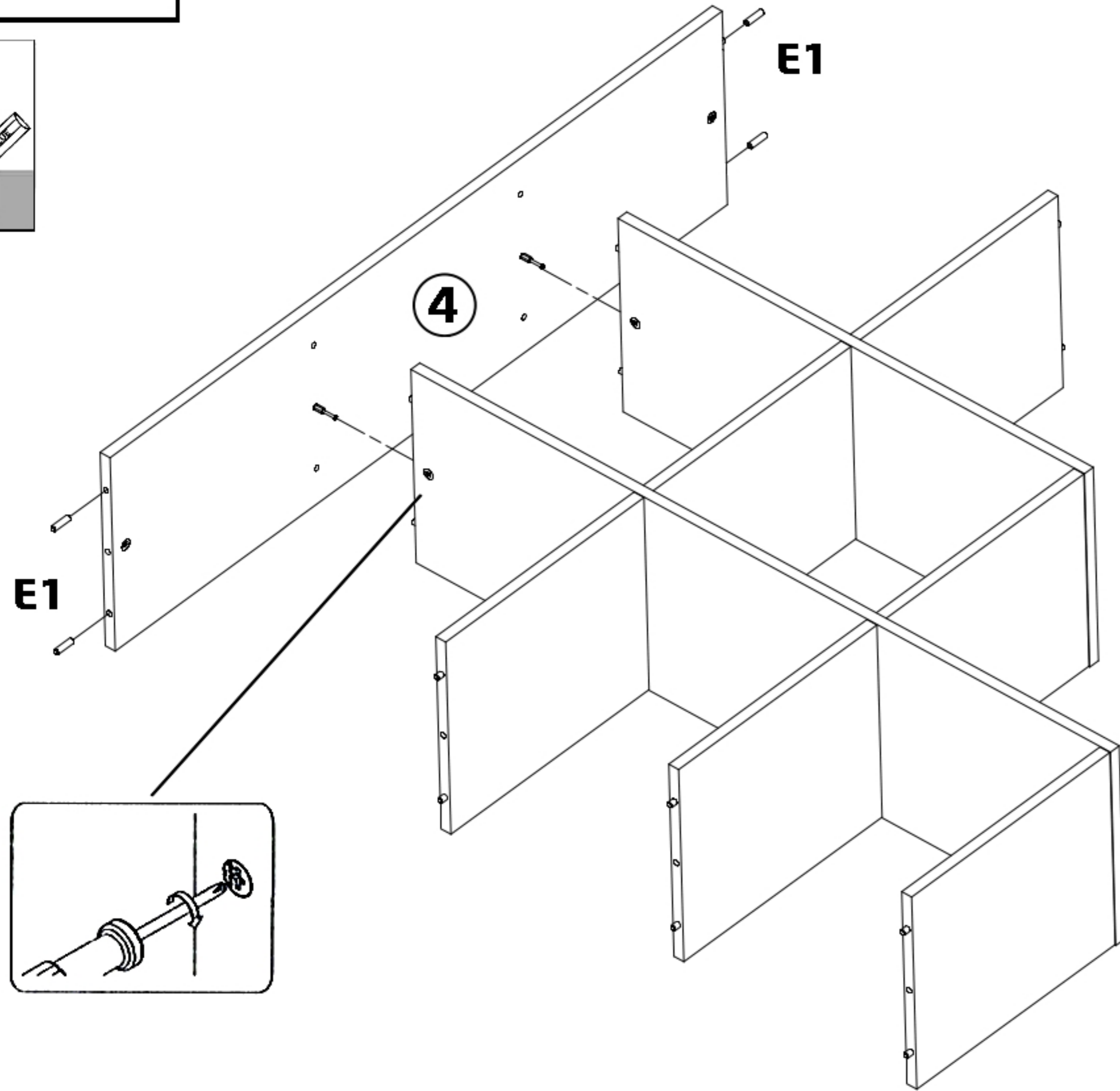
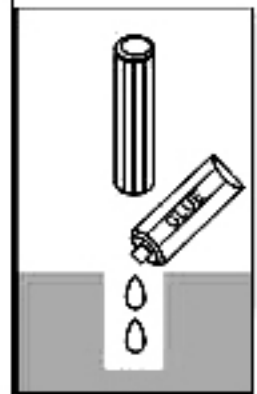
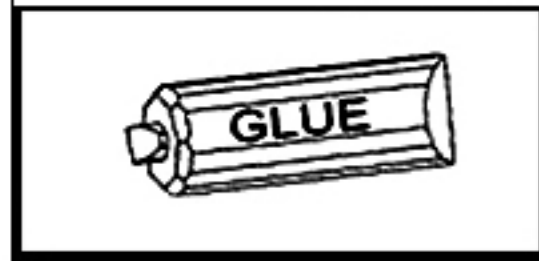
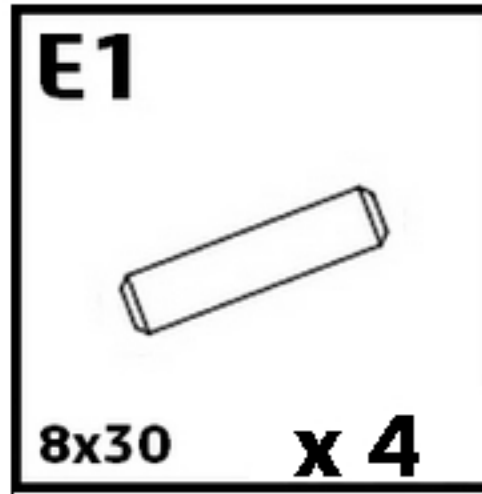
**E1**  
  
8x30 x 16

**E3**  
  
8x50 x 6

**N3**  
  
L=56 x 3



# 3



# 4

