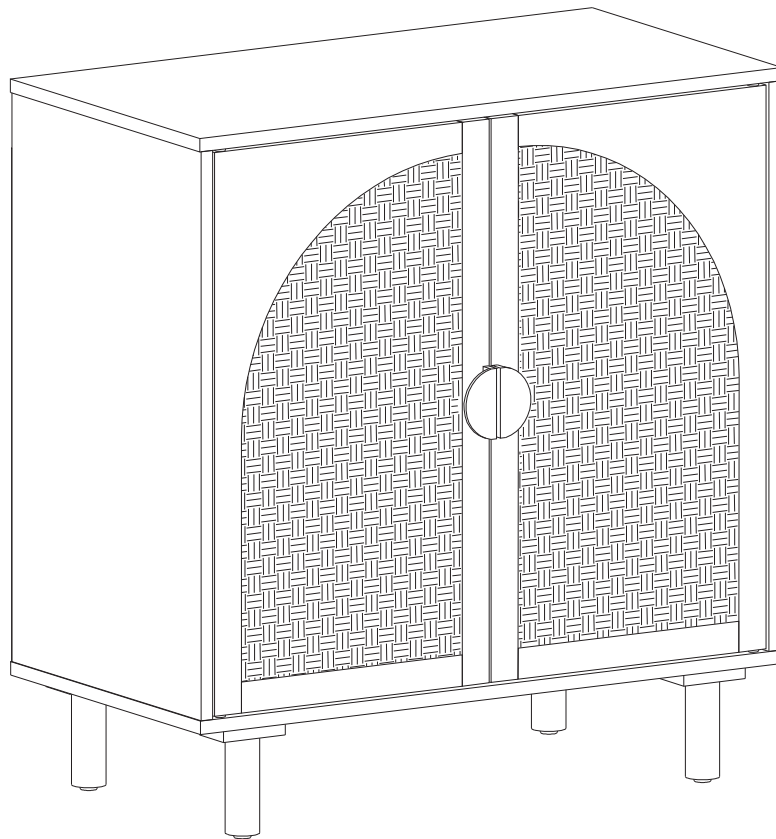


Installation Instruction



Product name

2 Door Cabinet

Friendly Reminder:

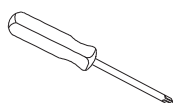
Assembling with damaged panels may affect after-sales service. Please check the integrity of all panels before assembly. If any damage is found:

- ✓ Take photos of the damaged area from multiple angles (preferably under natural light)
- ✓ Keep all packaging materials
- ✓ Do not assemble the product and contact online customer service immediately

Assembling

What you need

- Use the packaging carton as a working surface to prevent product damage during assembly
- Phillips head screwdriver



Weight Limitation



44 | 22
lbs table top | lbs per shelf

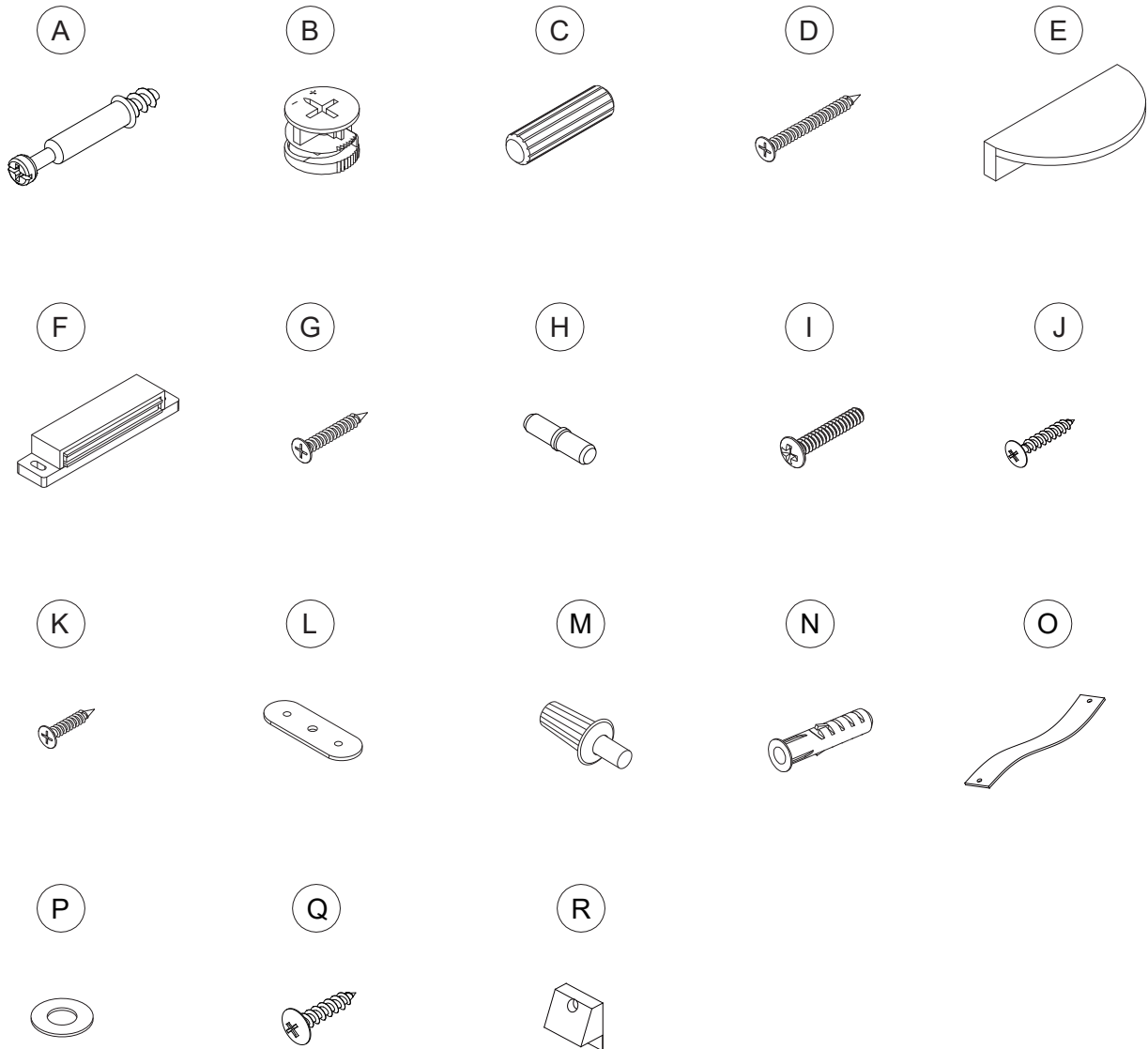


2 PERSONS

What s included

Code	Description	Qty
A	Cam Bolt M6X35MM	12
B	Cam Lock 15X10MM	12
C	Wooden Dowel M6X30MM	10
D	Screw M4X35MM	6
E	Handle	2
F	Magnetic Door Catcher	2
G	Screw M4X25MM	16
H	Metal Support	4
I	Bolt M4X20MM	4
J	Screw M3X16MM	12
K	Screw M3X12MM	4
L	Door Metal Plate	4
M	Metal Pin	4
N	Anchor M6X30MM	2
O	Nylon Strap	2
P	Metal Washer	4
Q	Screw M4X12MM	2
R	Plastic Corner Support	8

The Hardware



IMPORTANT:

1. Do not tighten bolts / screws completely until all bolts / screws are lined up and inserted into holes.
2. Do not over tighten screws and bolts to avoid stripping.
3. Please use hand tools to assemble this product. Do not use power tools.
4. Must need 2 people to assemble this product.

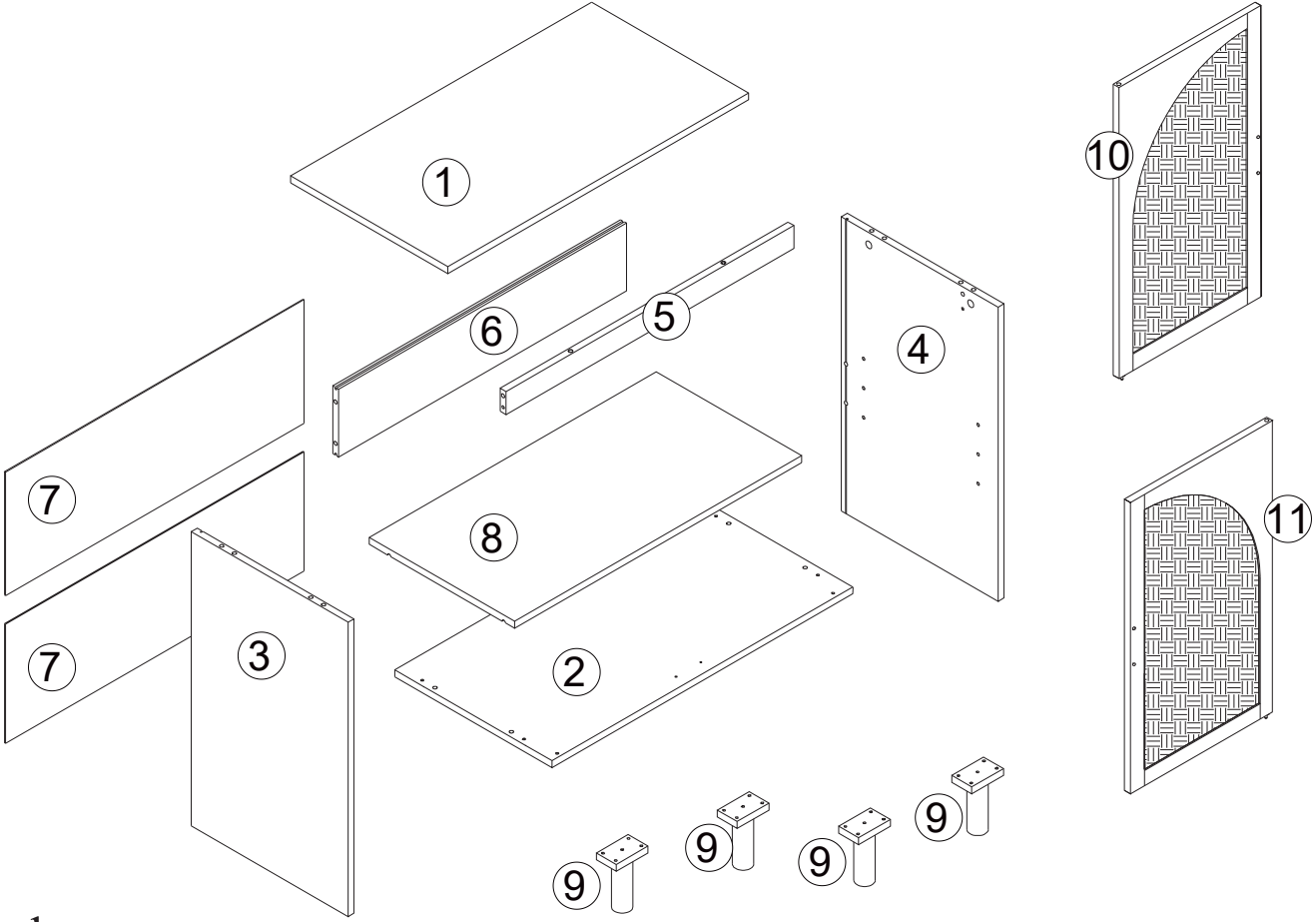


2 PERSONS

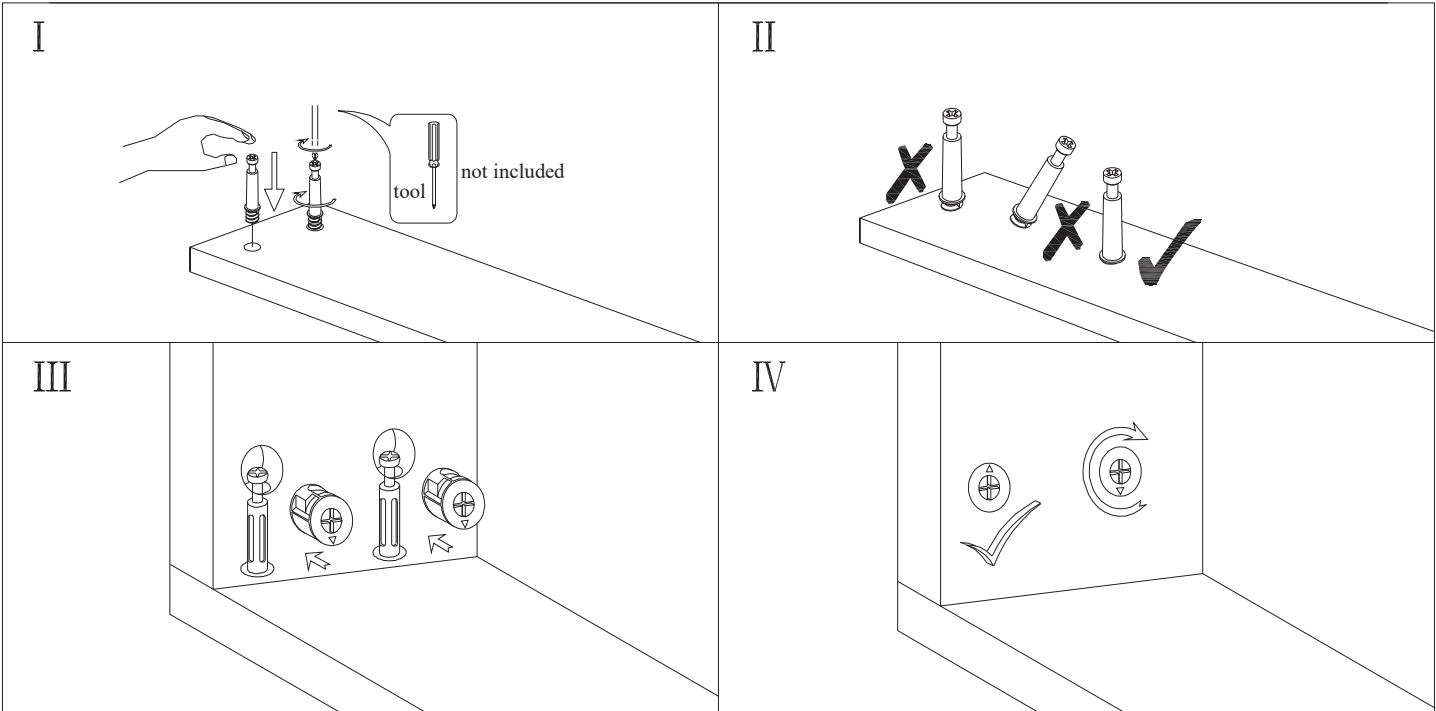
Included Accessories

Code	Description	Qty
1	Cabinet Top	1
2	Bottom Panel	1
3	Left Side Panel	1
4	Right Side Panel	1
5	Top Front Stretcher	1
6	Back Stretcher	1
7	Back Panel	2
8	Shelf	1
9	Feet	4
10	Left Door	1
11	Right Door	1

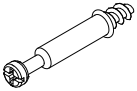
The Accessoriess

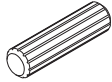


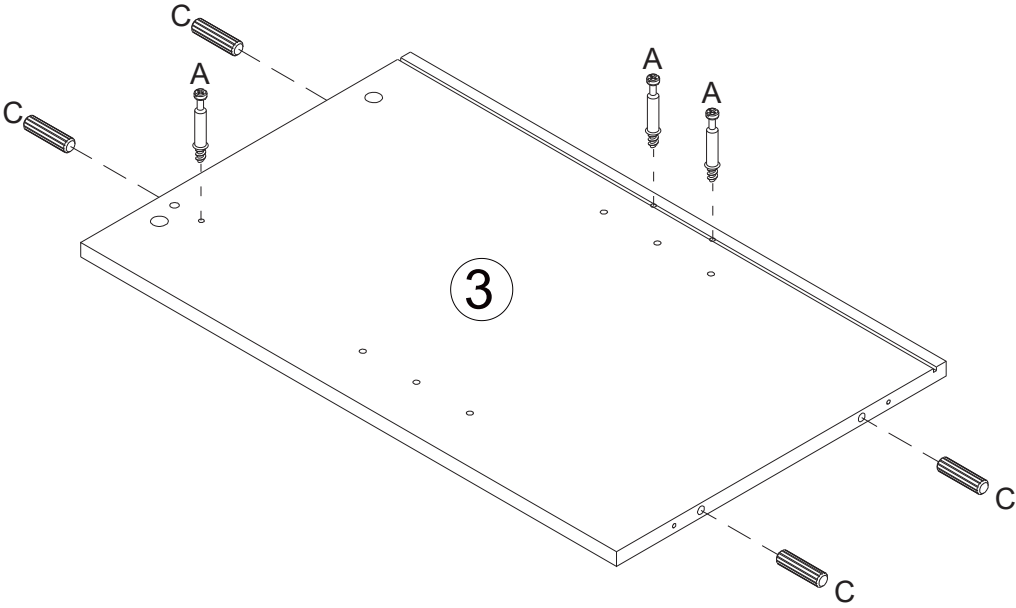
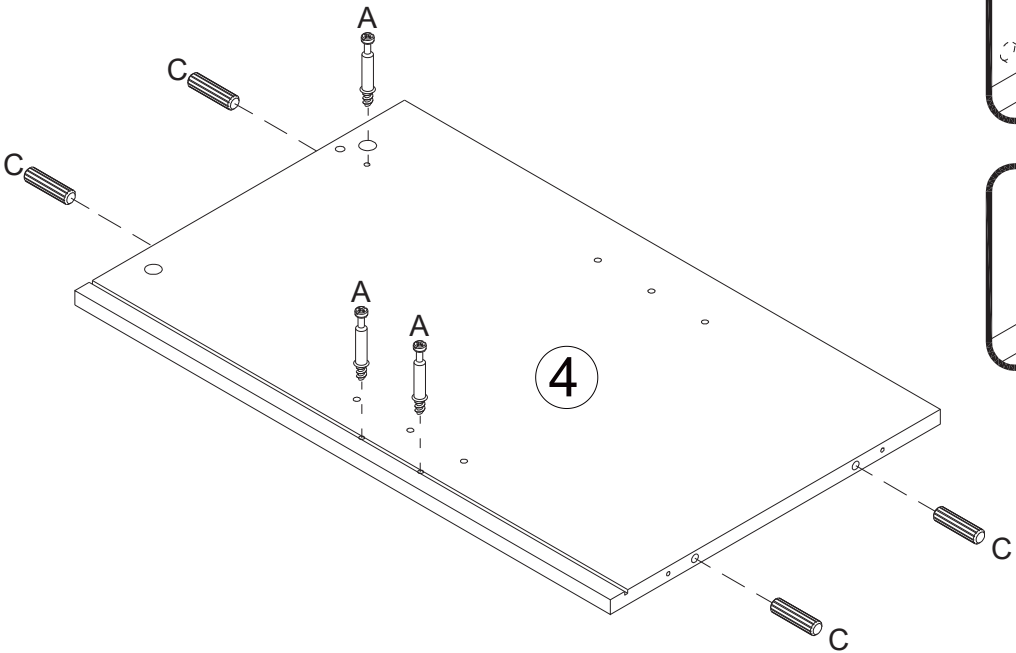
Noted :



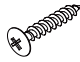
Step 1

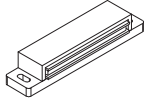
A	x6
	

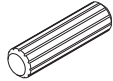
C	x 8
	

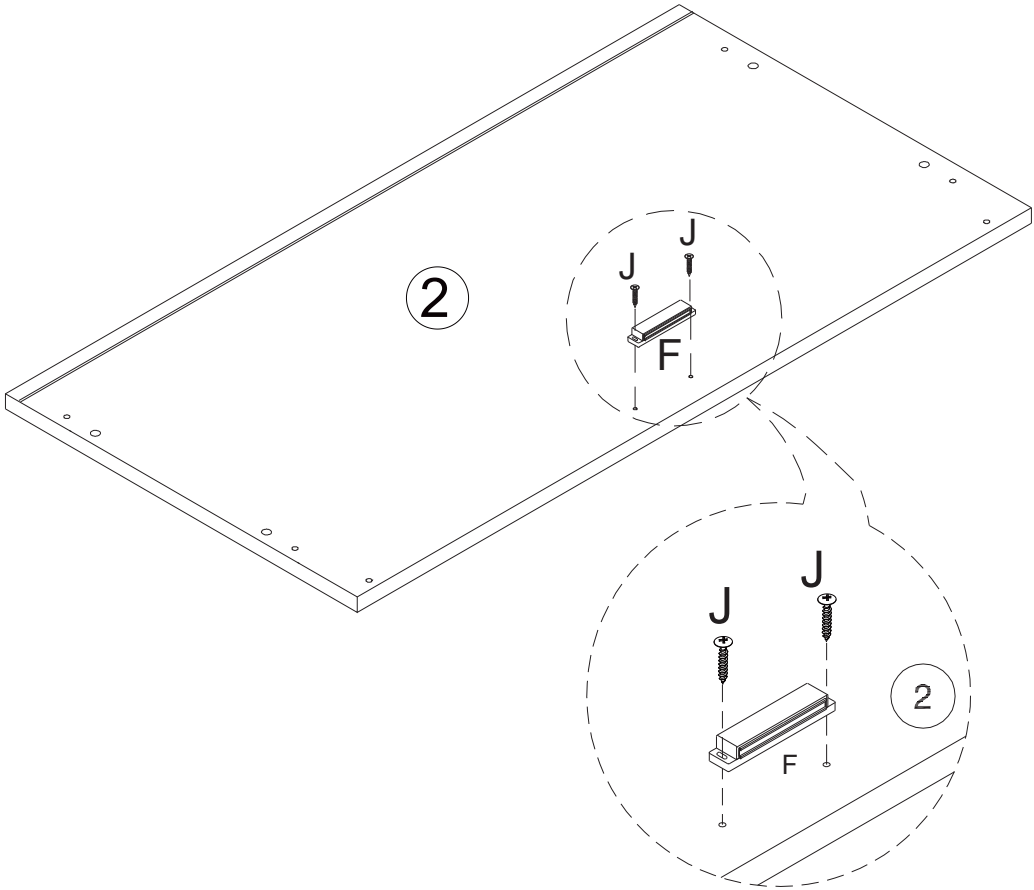
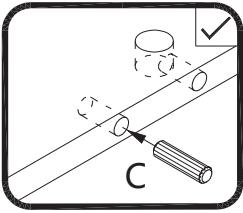
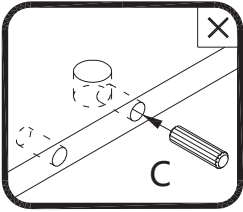
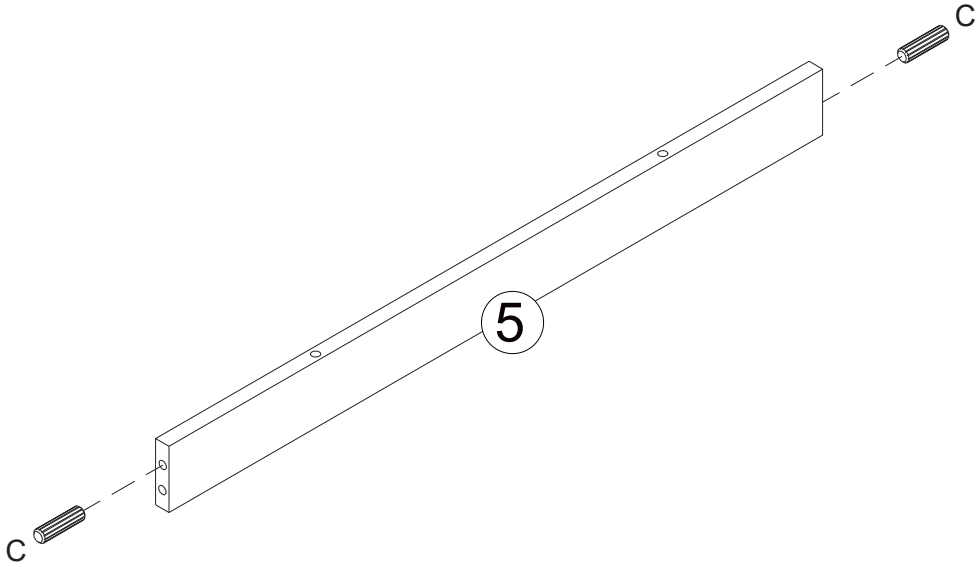


Step 2

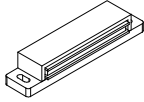
J	x 2
	

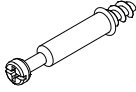
F	x 1
	

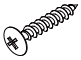
C	x 2
	

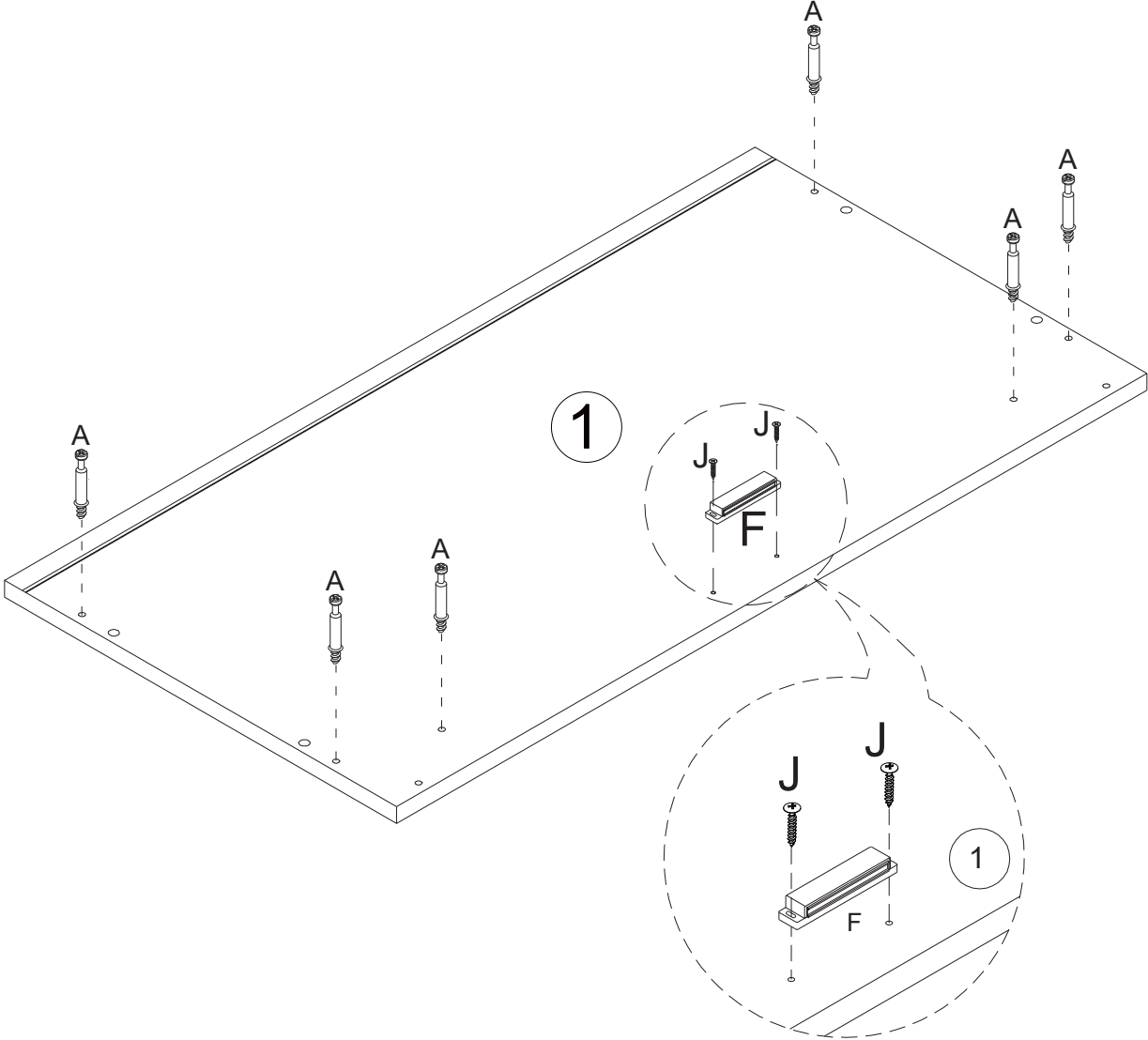


Step 3

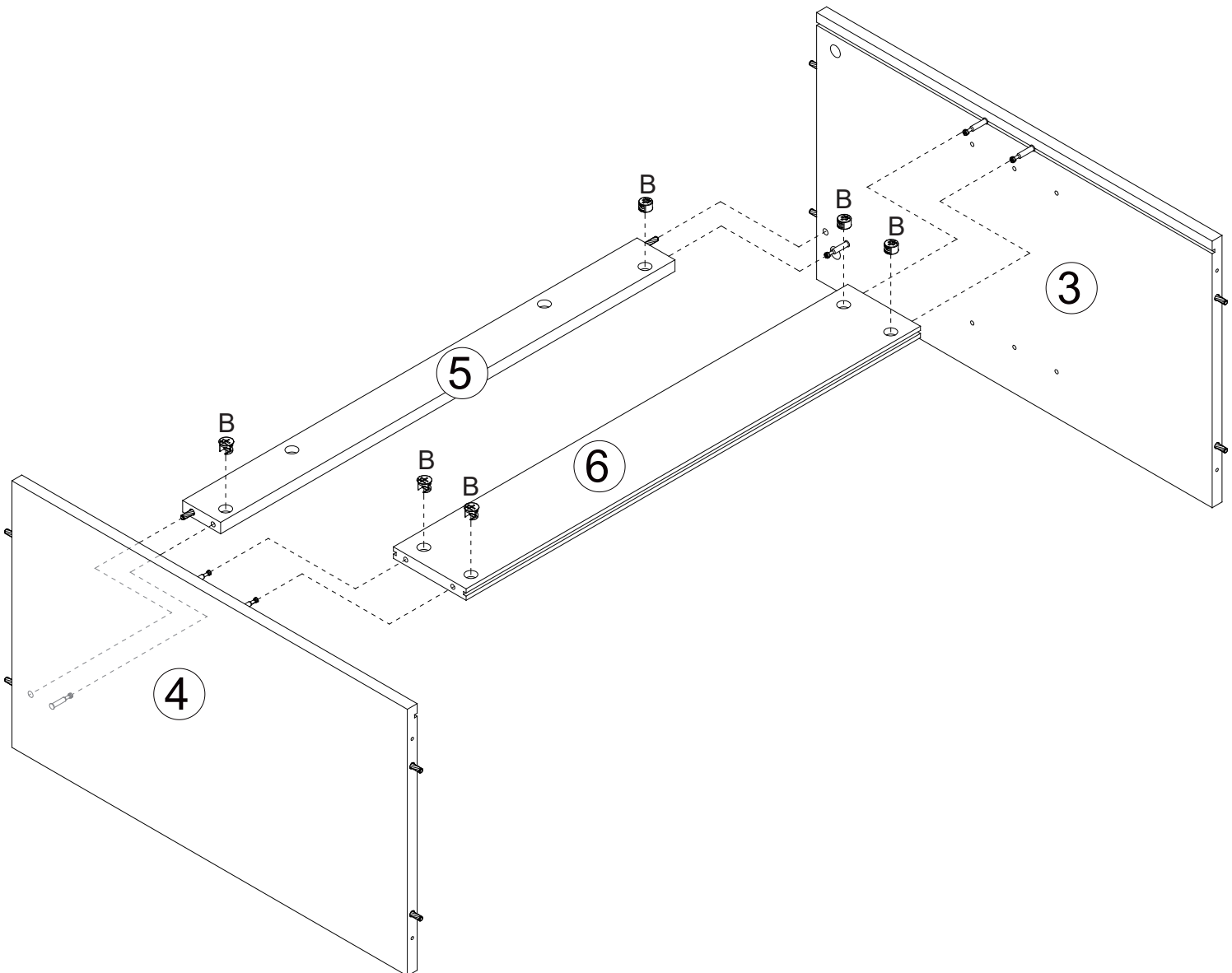
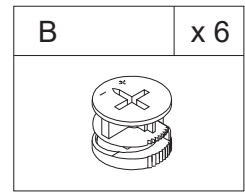
F	x 1
	

A	x6
	

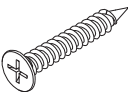
J	x 2
	

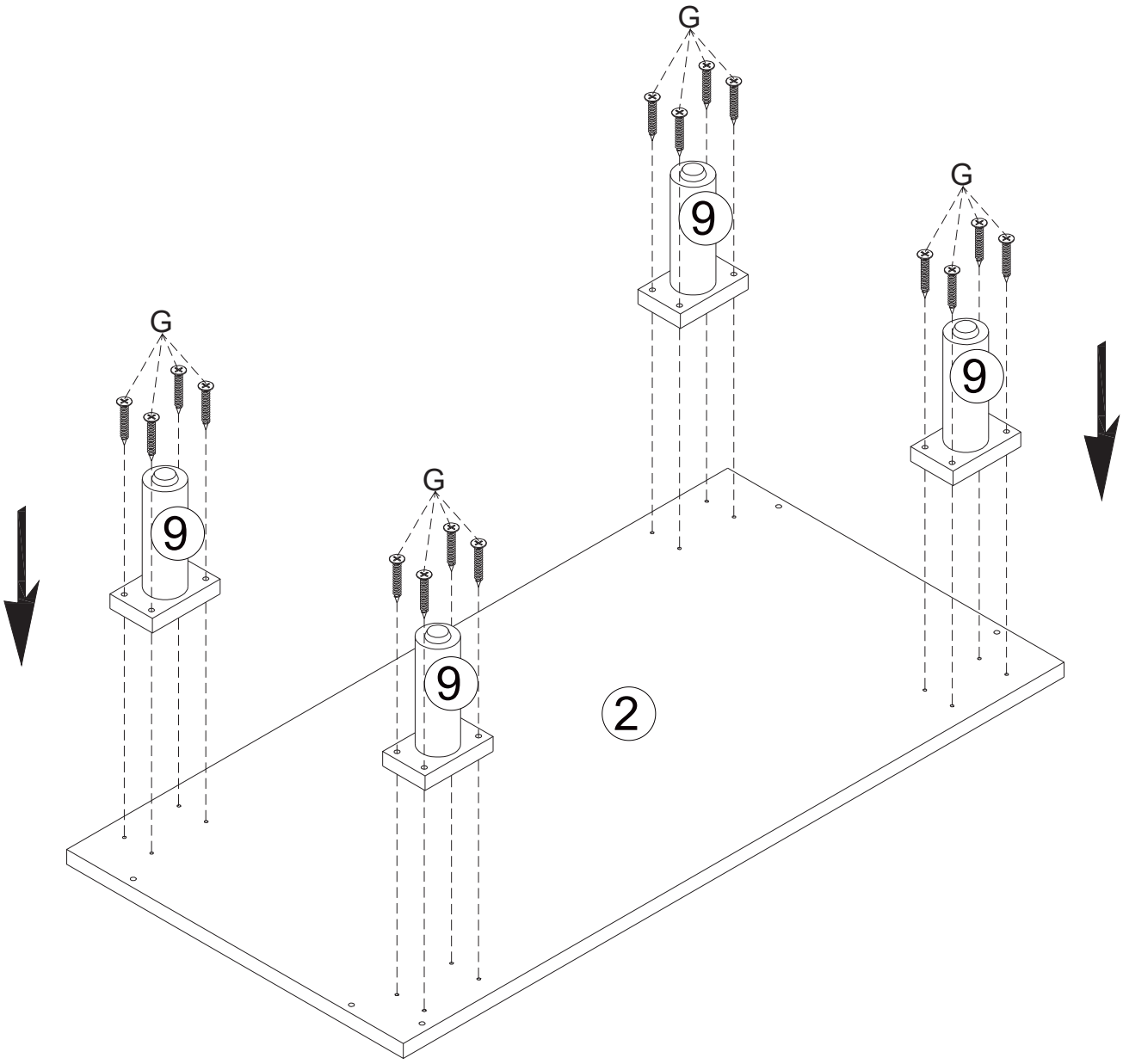


Step 4




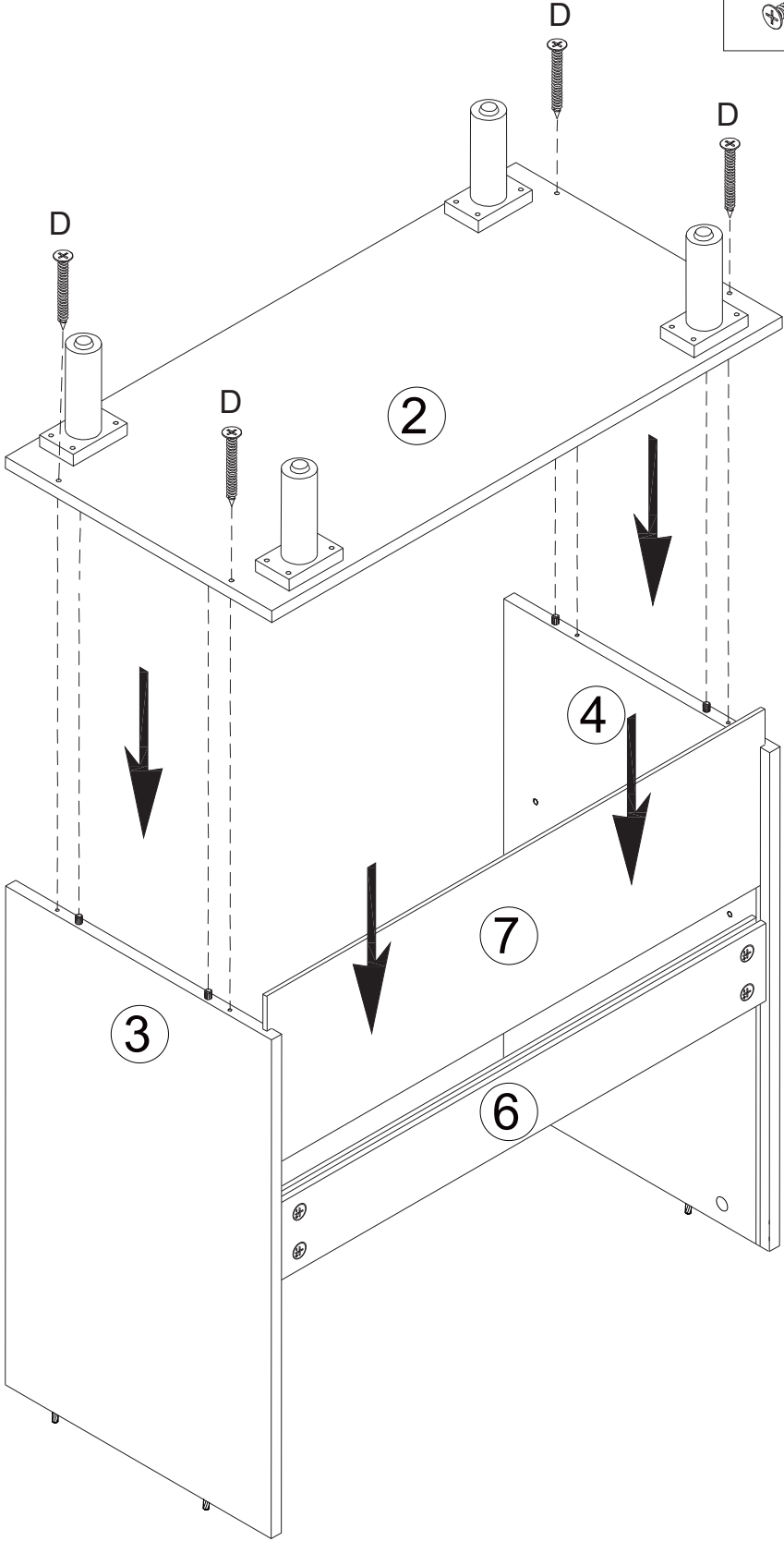
Step 5

G	x 16
	

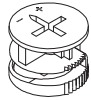


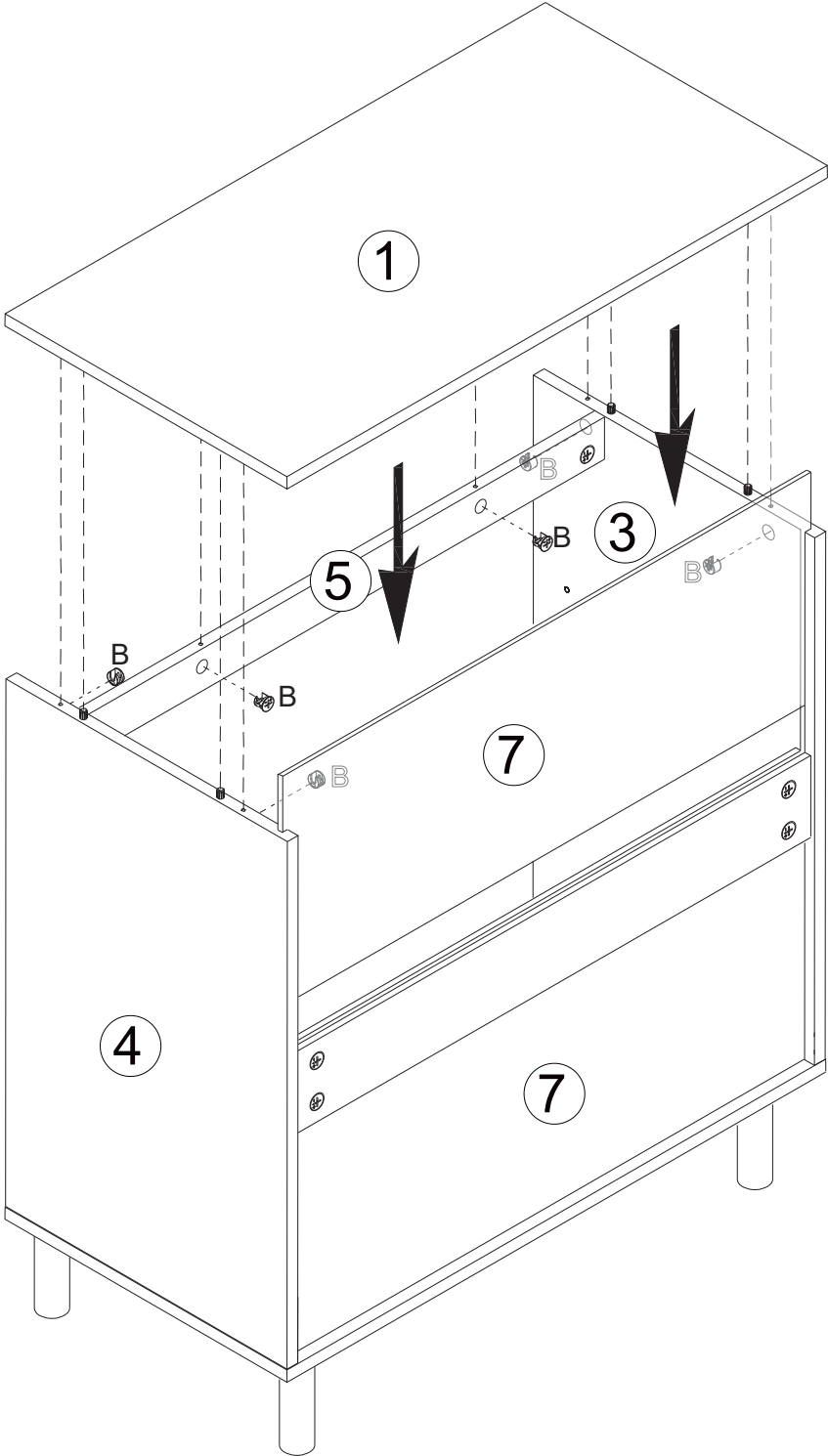
Step 6

D	x 4
	

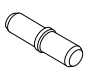


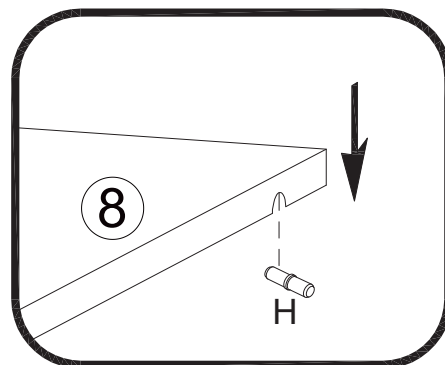
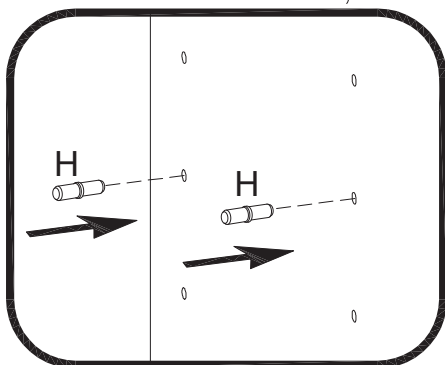
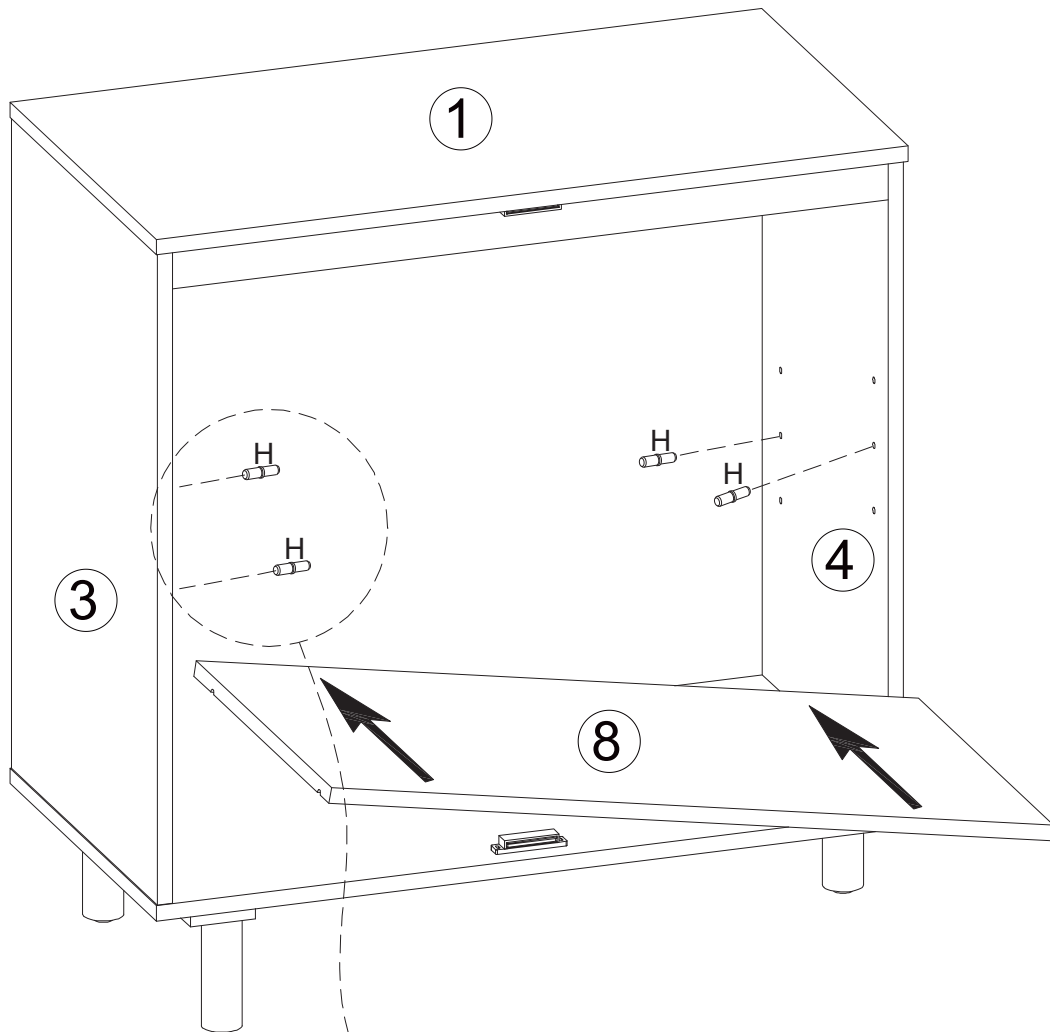
Step 7

B	x 6
	




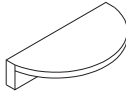
Step 8

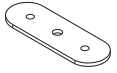
H	x 4
	




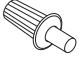
Step 9

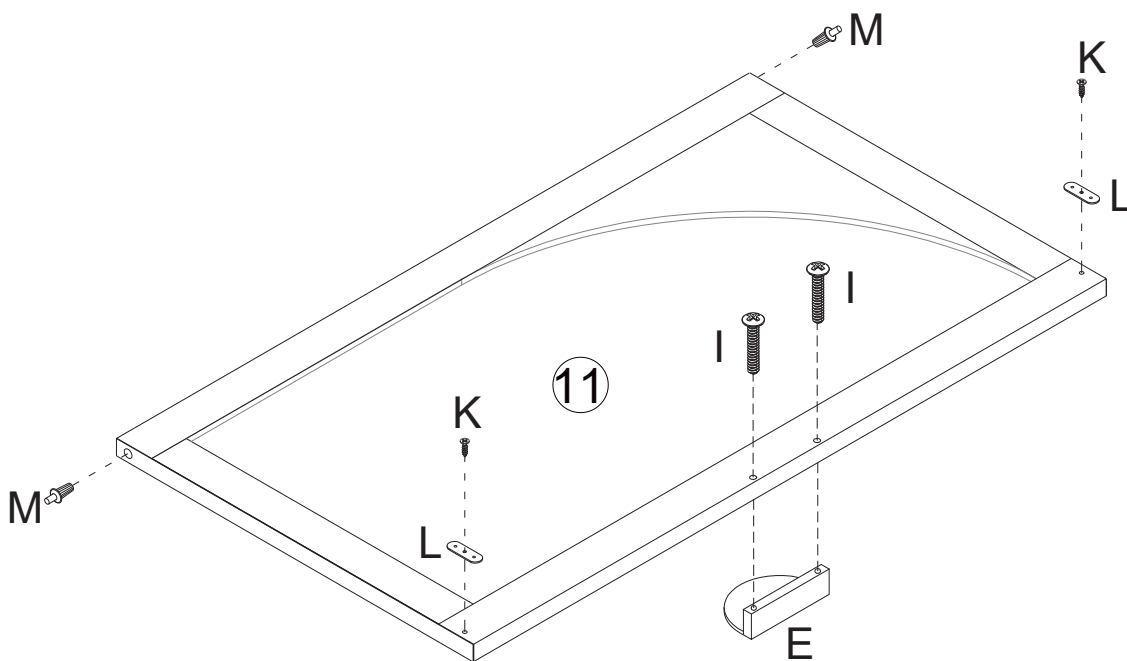
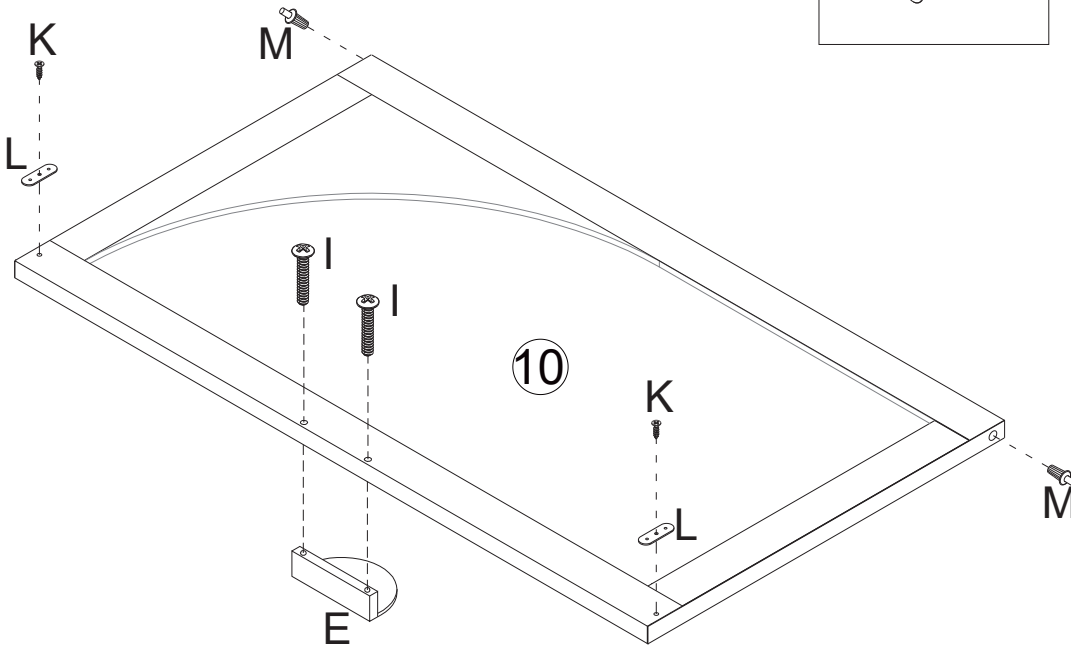
I	x4
	

E	x2
	

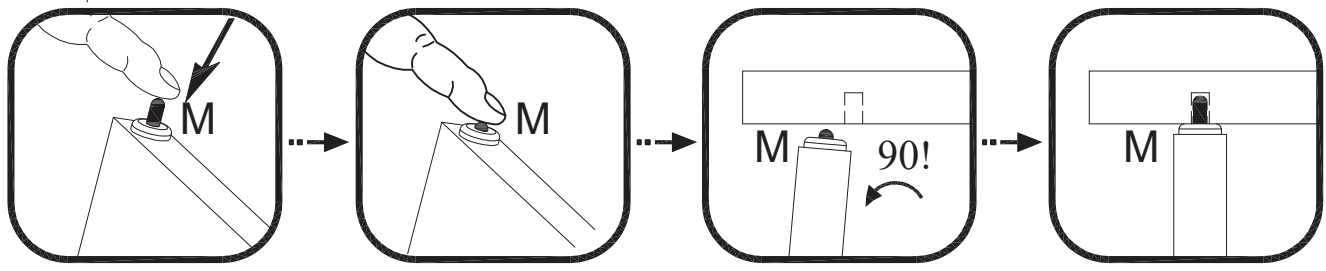
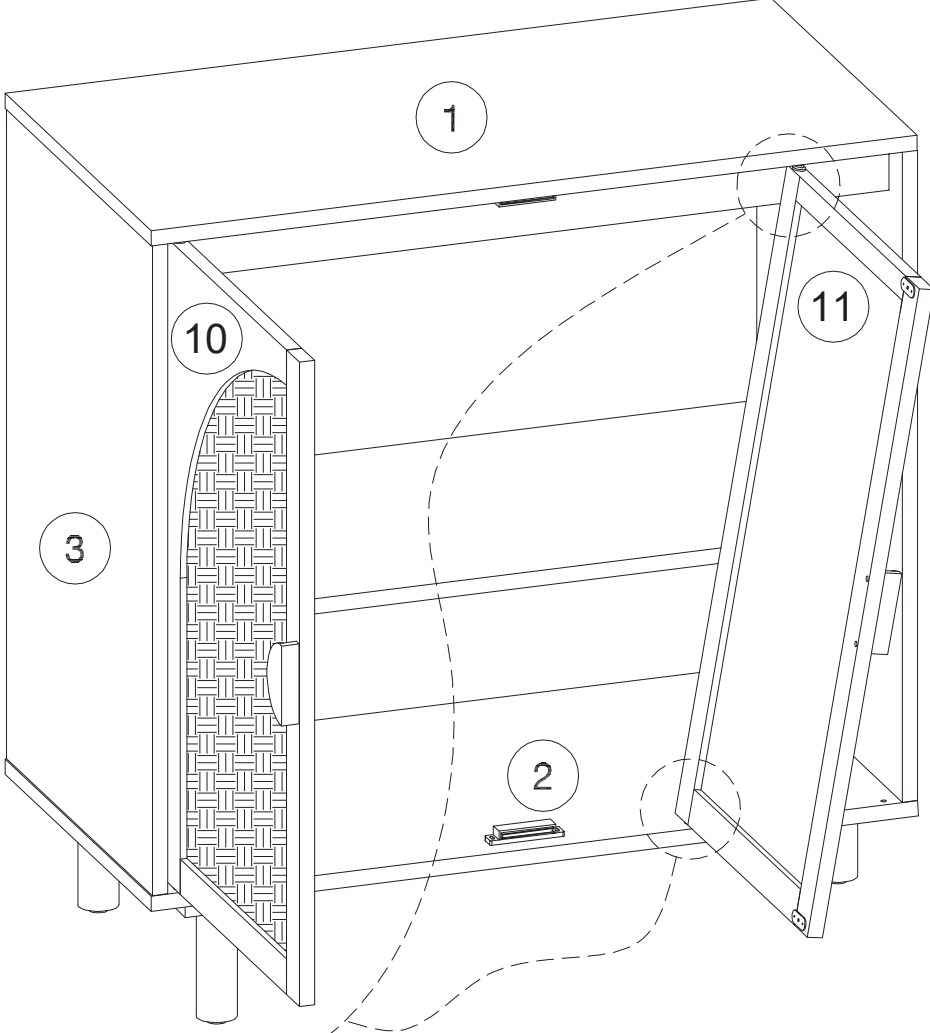
L	x4
	

K	x4
	

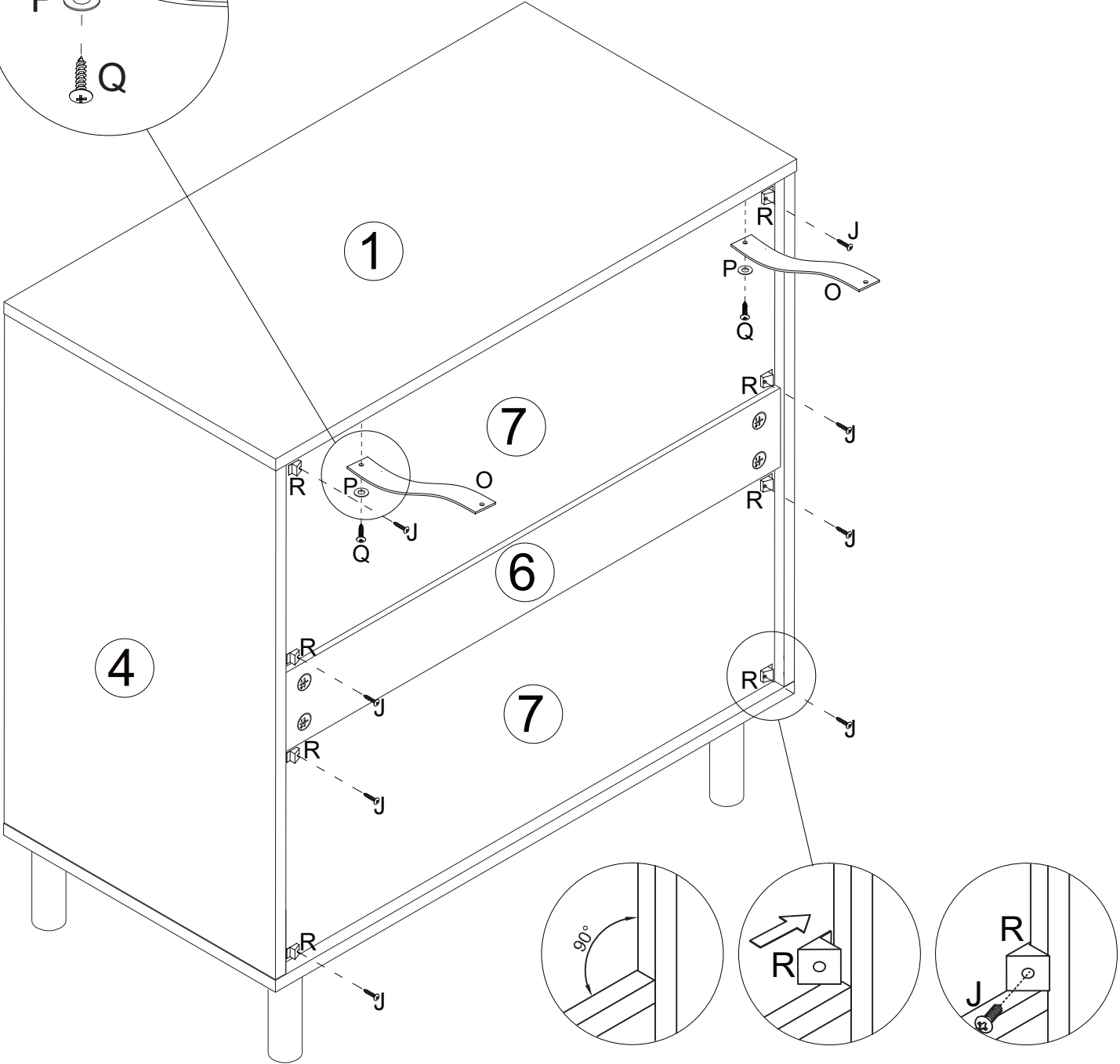
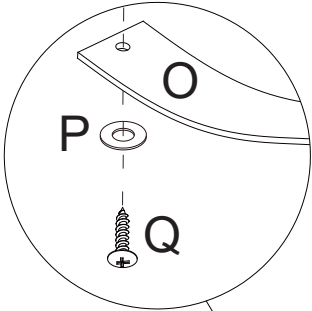
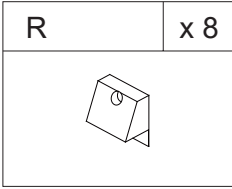
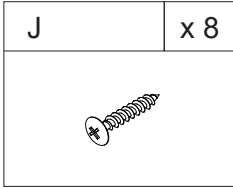
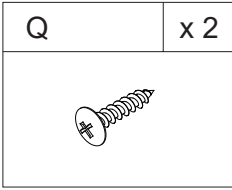
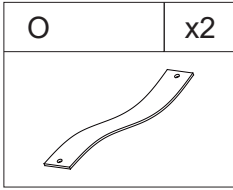
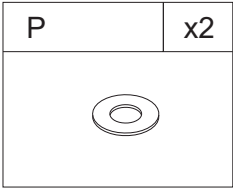
M	x4
	



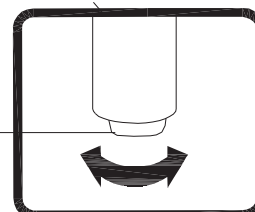
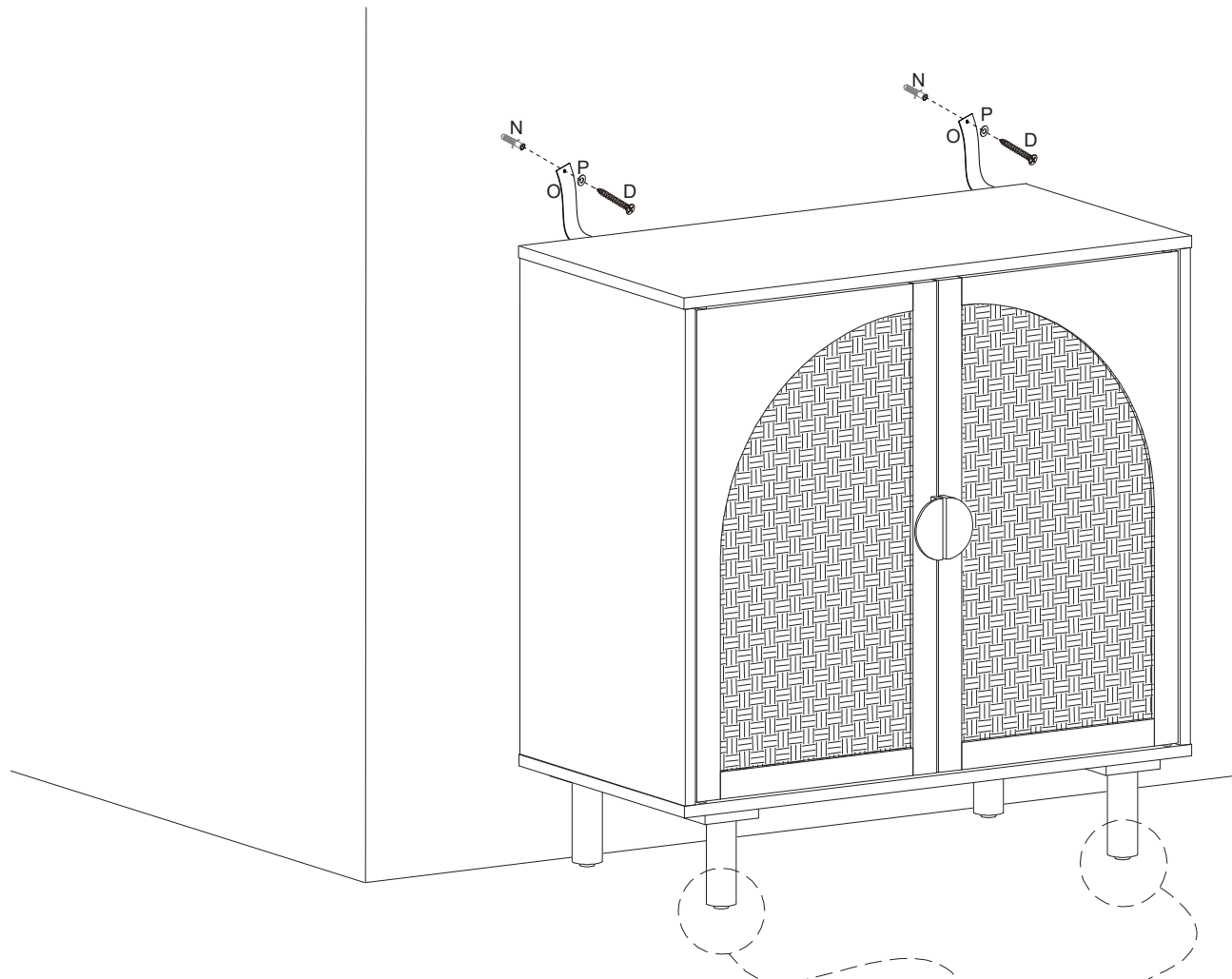
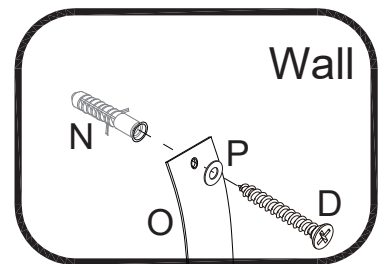
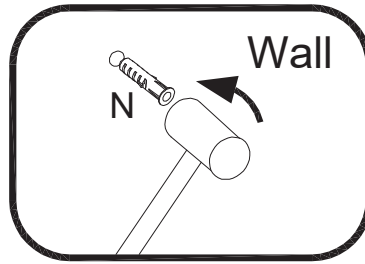
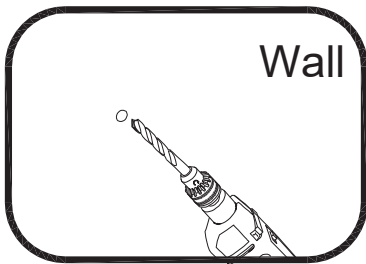
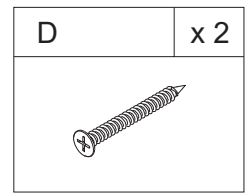
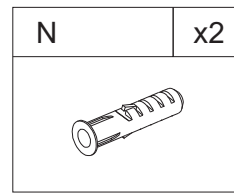
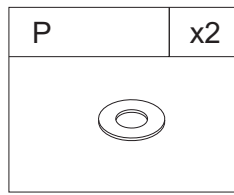
Step 10



Step 11



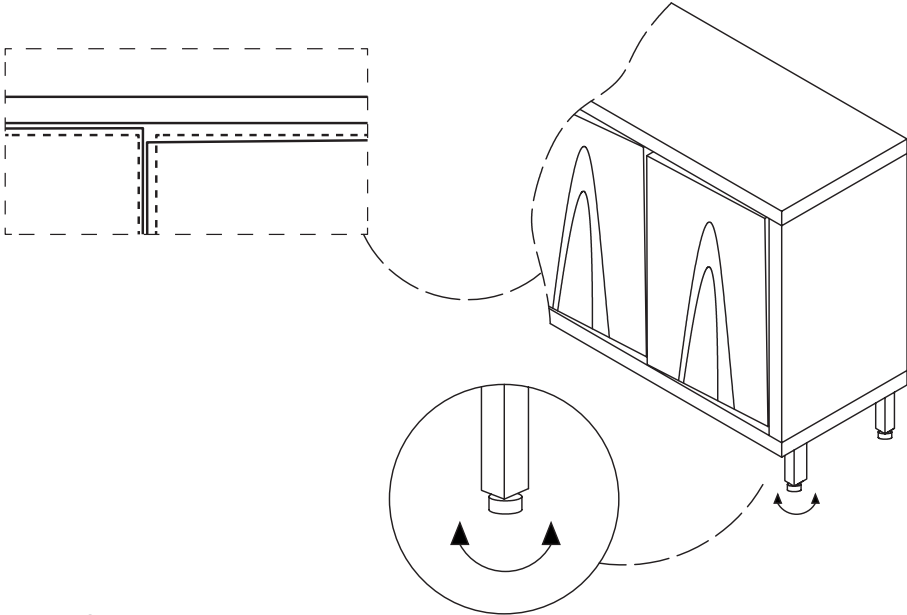
Step 12



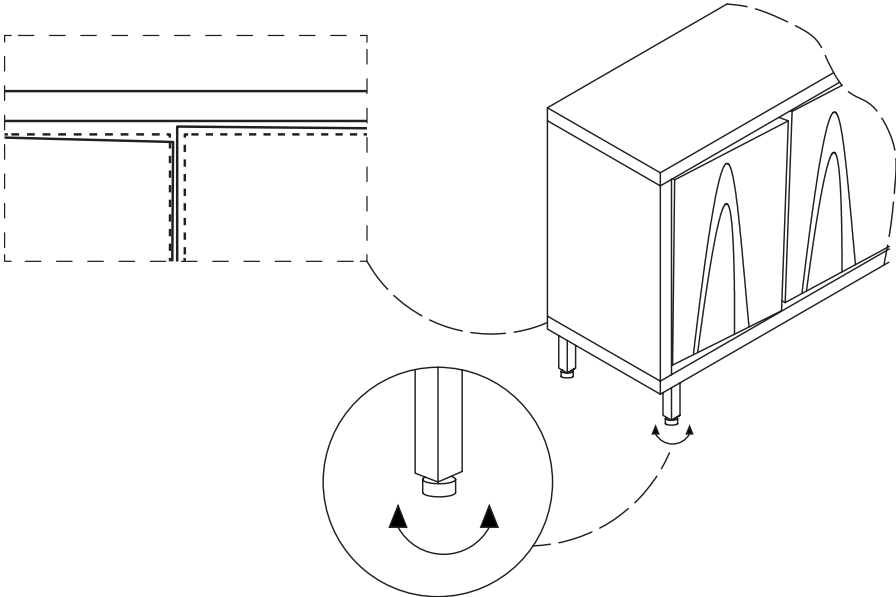
Is your cabinet door looking crooked or unevenly spaced? (Cont.)

If you're still having trouble lining everything up, your next step should be to try to adjust the feet slightly to square up the cabinet & doors. Follow the illustrations below:

If the right door appears to be hanging low, you can adjust the adjustable leveler on the front right until the door is better aligned.



If the left door appears to be hanging low, you can adjust the adjustable leveler on the front left until the door is better aligned.



Proper Use

- DO NOT** use for commercial purposes
- DO NOT** use as a step stool or stand on table
- DO NOT** put hot serving liquid directly on the table top
- DO NOT** leave spilled liquid on the table top
- DO NOT** use table if damaged
- DO NOT** exceed weight limit
- DO NOT** make temporary repairs
- DO NOT** use outdoor