

# ASSEMBLY INSTRUCTIONS

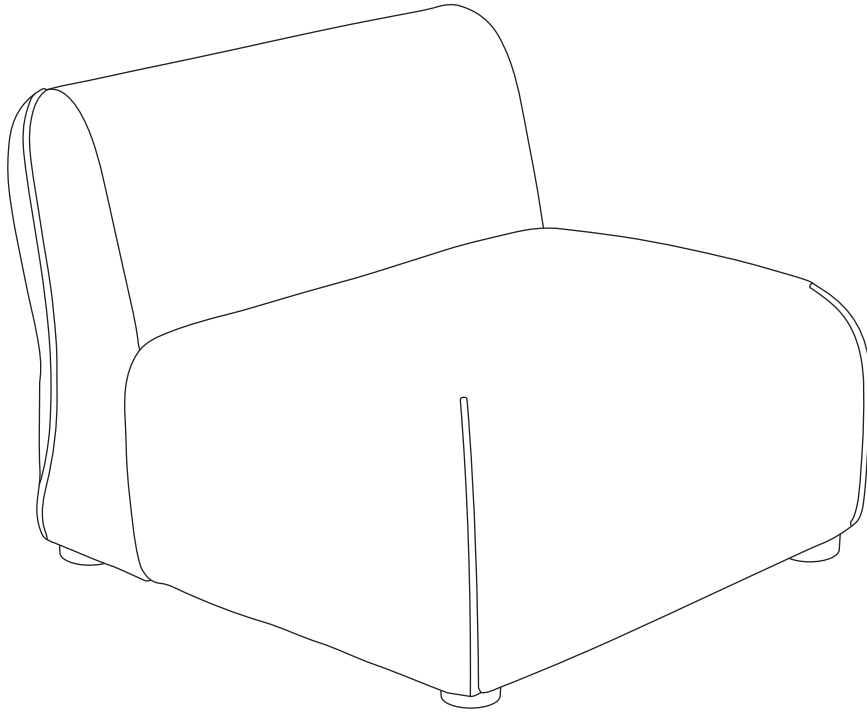
**Caution : You must read this before you proceed**

## Care & Maintenance

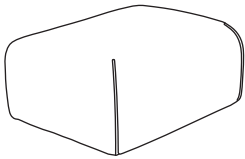
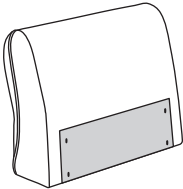
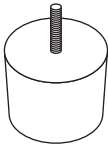
-  ● Not for commercial use. For residential use only.
-  ● Furniture may scratch floors. We recommend using furniture pads to protect your floors.
-  ● Do not put hot items directly on furniture surface.
-  ● Do not clean furniture with harsh cleansers or polish.
-  ● Do not place furniture under direct sunlight.
-  ● Do not place furniture near heating or cooling vents.
-  ● Do not write on furniture without a padded barrier to protect the surface.
-  ● Do not place furniture outside . For indoor use only.
-  ● Stains may be removed with mild soap solution and damp cloth.
-  ● Children should not climb or jump on the furniture.
-  ● Dust and pick-up spills using a clean, non-colored, lint-free cloth.

After receiving the Accent Chair, please check if the Chair and all Accessories are complete to ensure a smooth installation process.

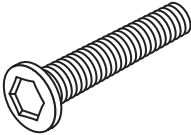

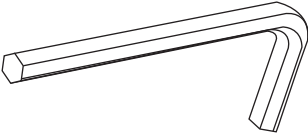

# Accent Chair



## PARTS LIST:

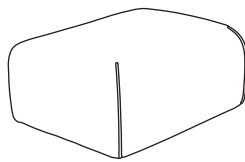
| Label | Picture   | Description | QTY |
|-------|---|-------------|-----|
| A     |  | Chair Body  | 1   |
| B     |  | Backrest    | 1   |
| C     |  | Leg         | 4   |

# Hardware

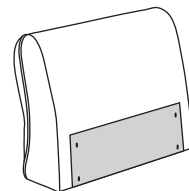
| Label | Picture  | Description         | QTY |
|-------|--|---------------------|-----|
| ①     |   | Screws<br>(M8x50mm) | 5   |
| ②     |   | Flat Washer         | 5   |
| ③     |   | Allen Wrench        | 1   |
| ④     |  | Spacer              | 5   |

# Assembly Preparation

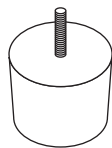
Before Beginning Assembly:



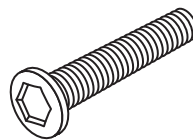
A



B



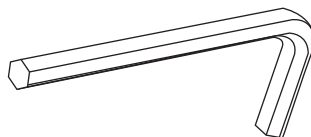
Cx4



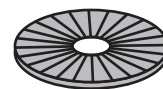
①x5



②x5



③x1



④x5



- Read instructions, cover to cover-



- Have 2 adults on hand for assembly-



- Do not assemble on flooring or carpet-



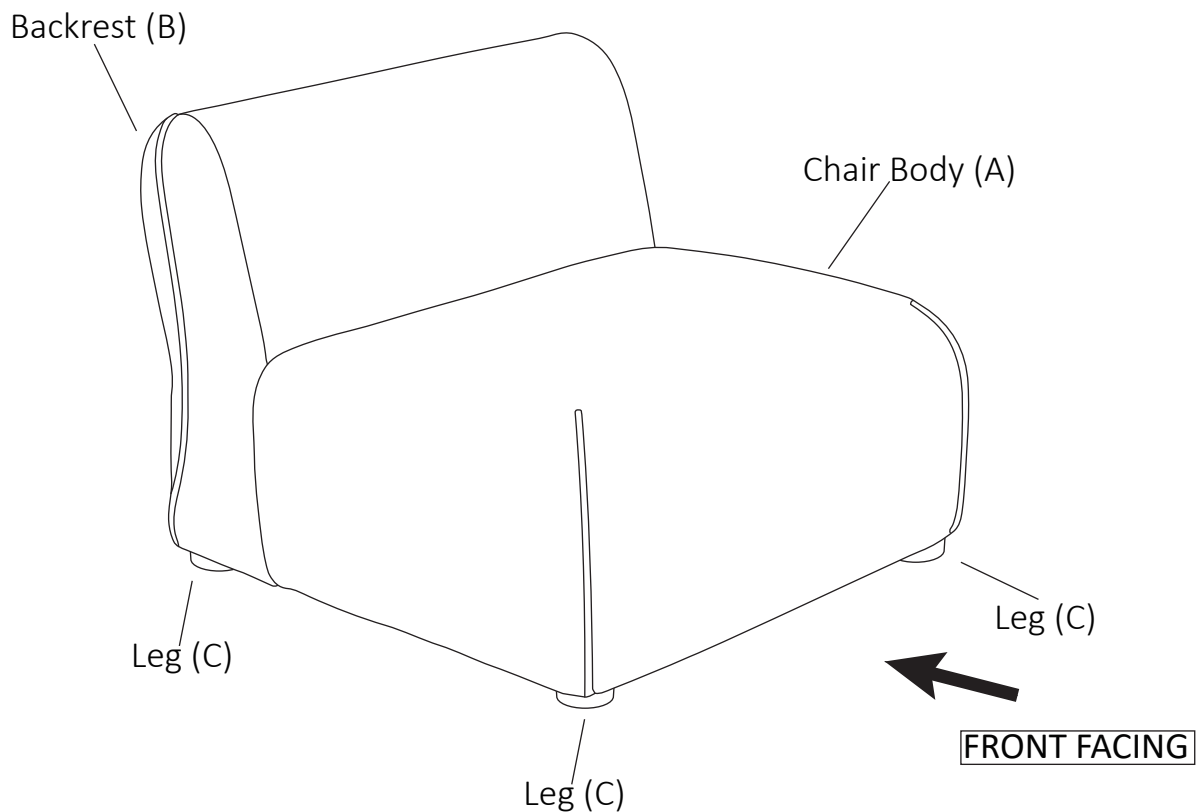
- Assemble on a clean non-marring surface (packing foam)-



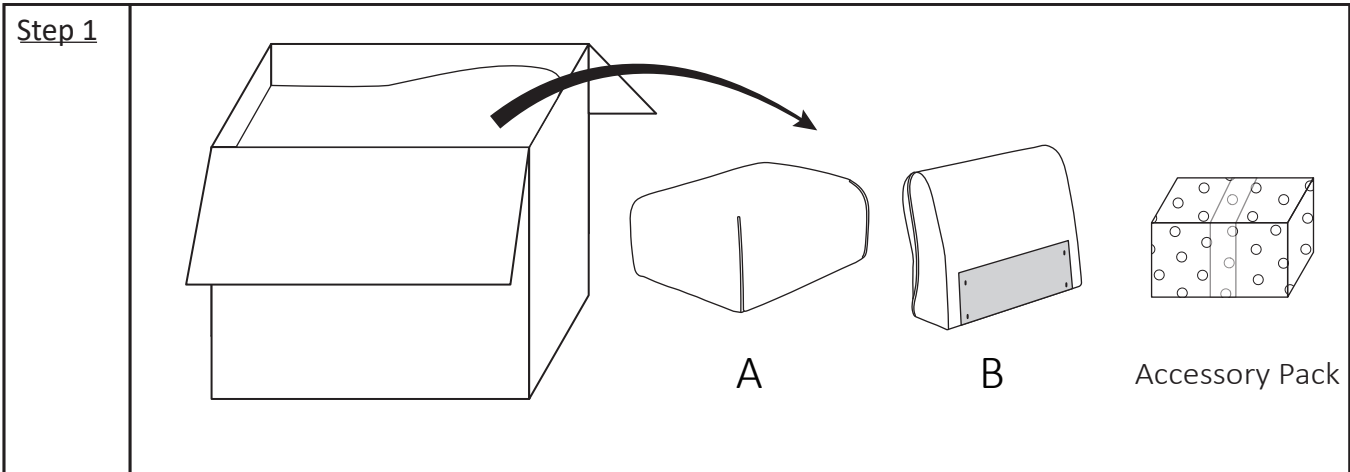
- Save all packaging until finished-

## Assembly Steps

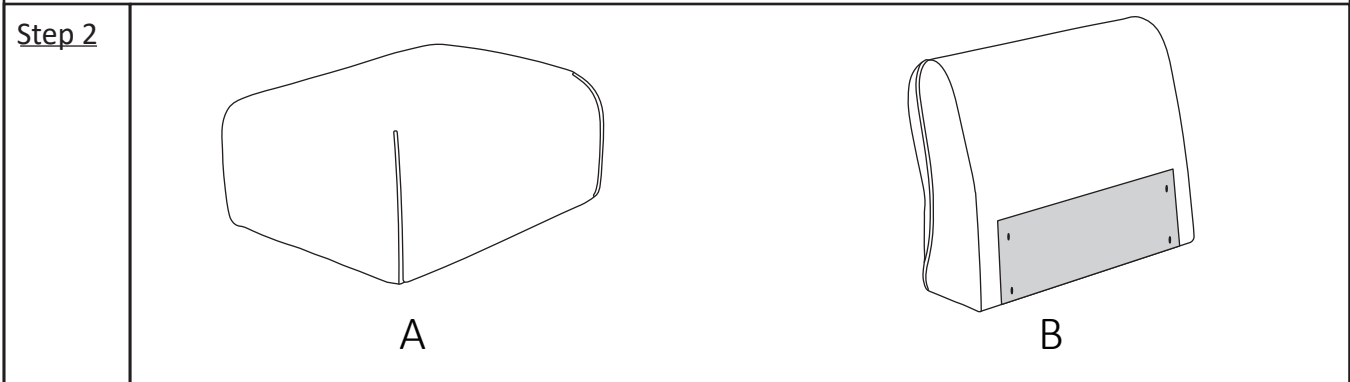
### Overview



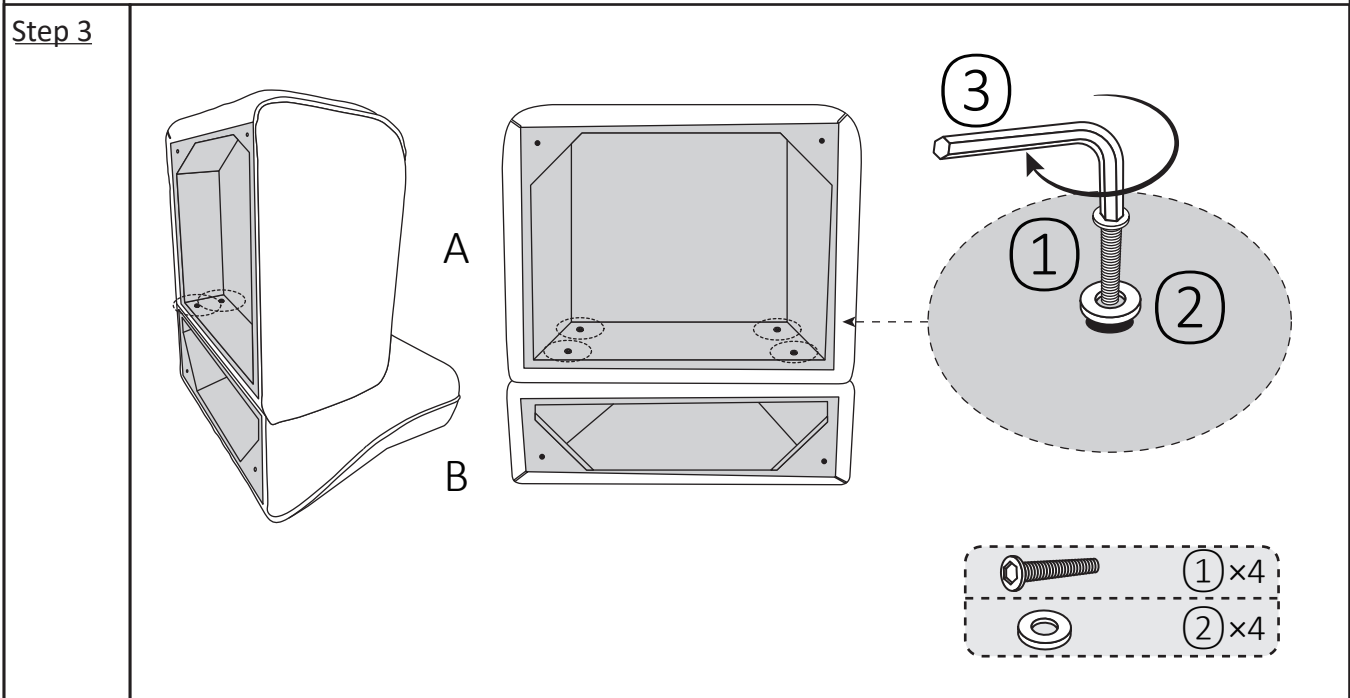
This Chair may require up to 20 minutes to assemble. To give you an overview of the Accent Chair, the above picture is to help you put the various parts into perspective. Please read through the instructions herebelow to familiarise the parts and steps before assembly.



Take out the Chair Body (A) , Backrest (B) and Accessory Pack from the Carton “Accent Chair” ,cut open the packaging to take out the Legs (C) and the Hardware. place them on a clean,non-marring surface.

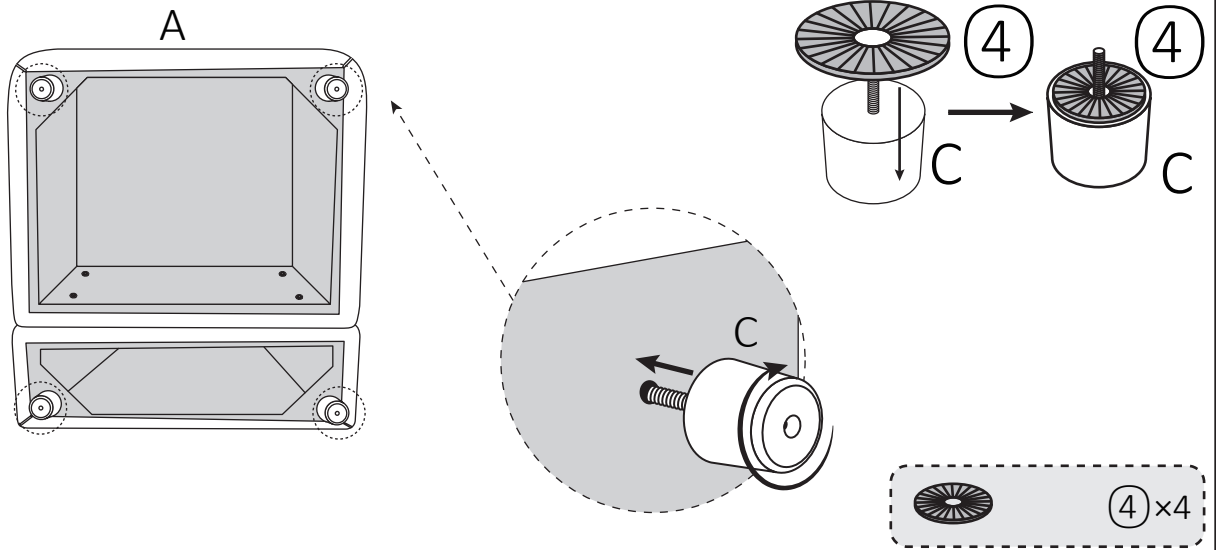


Unpack and place all parts on a clean, non-marring surface.



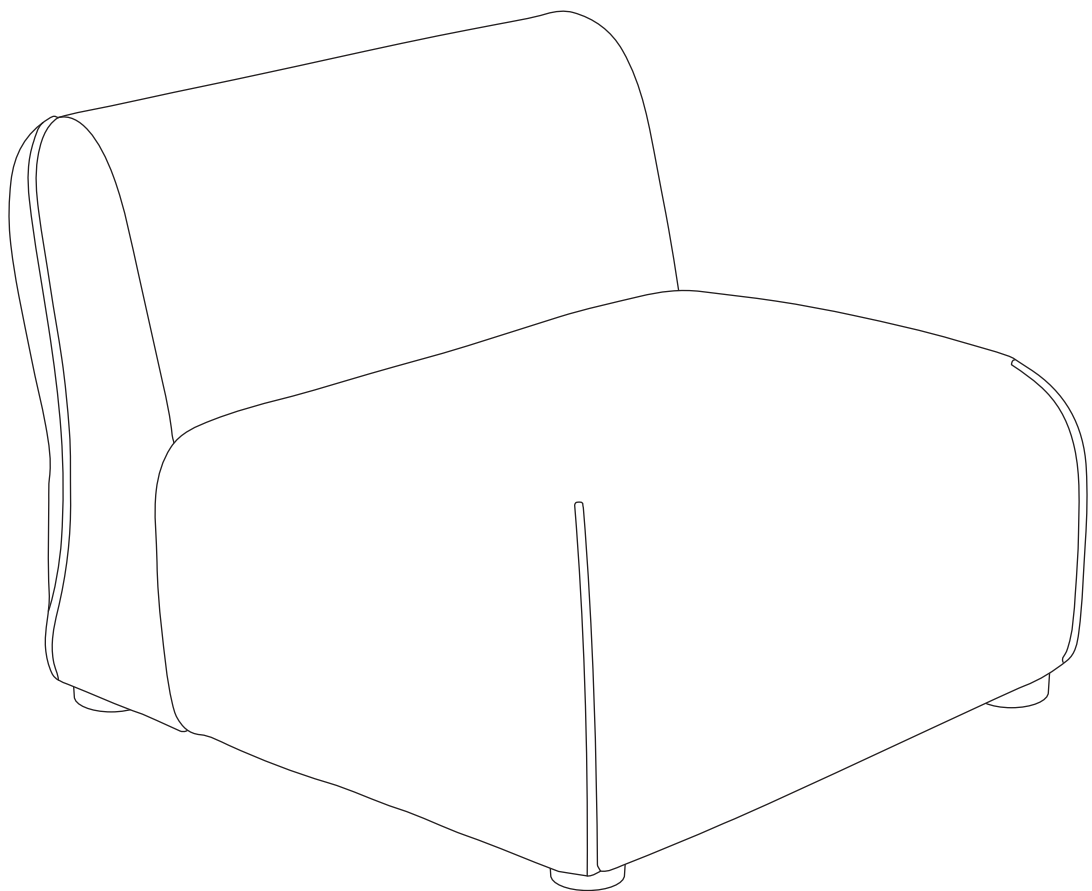
First, lay the Backrest (B) face down on a soft cushion. Then, place the Chair Body (A) face down onto the backrest, aligning their bottoms and sides. Check if the screw holes on both parts are aligned. If not, make adjustments until they are properly aligned. Finally, secure the two parts together using 4 Screws (①) and 4 Flat Washers (②).

Step 4



First, place the Spacer (4) on the Leg (C). Then, lay the Ottoman (B) down on the cushion with its Bottom side facing forward. Last, attach the Legs (C) to the Single Chair (A&B) as shown in the diagram.

Step 5



Position the Accent Chair upright to finalize the installation.