

Installation & Assembly

Your furniture purchase is an investment. Here are a few tips to maximize the lifetime of your furniture with a minimal amount of effort. Properly caring for your furniture can help ensure that it looks great year after year.

Wood Furniture Maintenance:

- Always dust, wipe, and clean with the grain of the wood.
- Dust with a soft cloth. Dust will scratch the furniture surface if not removed properly.
- If a polished surface becomes cloudy, rub it with a cloth dipped in a solution of one tablespoon vinegar to one quart of water. Rub softly with the grain until the surface is completely dry.
- Soap and water are not advisable for wood surfaces. Water can penetrate the finish and raise the grain on wood, causing damage.
- Remember to change dusting cloths frequently as dirty cloths may scratch your furniture's surface.

The Enemies of Wood:

- Moisture is wood's worst enemy. Liquid spills should be gently wiped up immediately. Coasters should be used under all beverages.
- Do not allow rubber or vinyl materials to lie on the furniture. Chemicals in rubber may leave a stain. Put a strip of felt or leather under accessories that have rubber or vinyl.
- Heat creates a chemical change in the furniture's finish, which may result in a white spot. Use protective pads under hot dishes, appliances, etc.
- Sunlight's ultraviolet rays can damage the finish of furniture. Do not place furniture directly against a heater or radiator and do not place in the path of hot streams of air from central heating. This will cause extreme localized drying of the wood.

Marble Top Maintenance:

The surface of the marble on your table has been polished and sealed to create a generally non-porous surface. The stone has many natural characteristics including veining, hairline cracks, and color variations, which make up the stone's beauty.

To maintain the beauty of your marble:

- Protect surfaces from scratching, staining and etching by:
 - Keeping them free of debris or sharp objects.
 - Wiping up spills immediately
 - Avoiding contact with chemicals (particularly acid-based materials)
- Clean with PH neutral products or those especially formulated for use on stone.
- It is not recommended to use a water-based solvent for dark marble as it will remove the polish from the surface.

Caring for the Fabric on Upholstered Furniture:

- Frequent vacuuming of the entire upholstered area will prevent dust from settling into the fibers.
- Professional cleaning is always recommended for all upholstered pieces.
- Do not use cleaning products containing brightening agents.

VERY IMPORTANT!!

NEVER
USE GLASS CLEANERS
ON FINISHED SURFACES.
AMMONIA WILL
CHEMICALLY ATTACK
THE FINISH.

DO NOT
WRITE
DIRECTLY
ON
SURFACE 

PREVENT
MARKING

DO NOT
PLACE
DIRECTLY
IN
SUNLIGHT 

PREVENT
FADING

DO NOT
USE
PLACEMATS
WITH
RUBBER
BASES 

PREVENT
DISCOLORING

NEVER
ALLOW LIQUIDS OF ANY
KIND TO LINGER ON
SURFACES. ABSORPTION
CAUSES THE WOOD TO
WARP AND THE FINISH
TO DE-LAMINATE.

DO NOT USE
COMMERCIAL
POLISHES
AND WAXES 

PREVENT
YELLOWING

DO NOT
PLACE HOT
POTS, ETC
ON
SURFACE 

PREVENT
DAMAGE TO
FINISH!

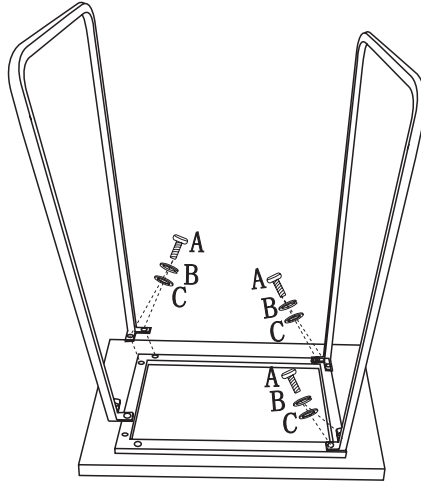
REGULATE
THE
HUMIDITY
CONDITIONS
AT YOUR
HOME 

PREVENT
SPLITTING

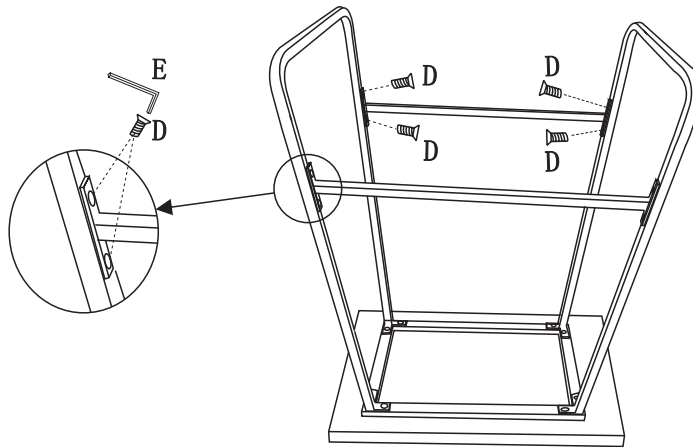
Assembly Instruction

* Do not tighten screws & bolts until the entire item is completely assembled.

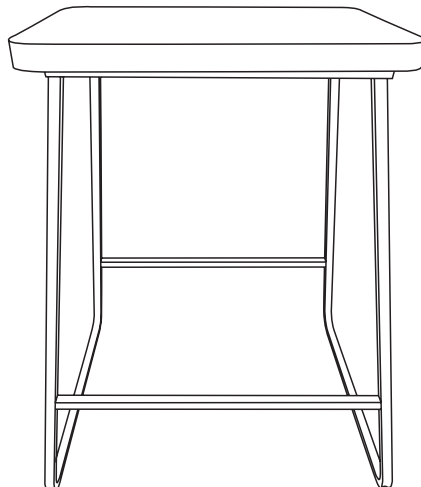
STEP1

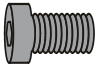


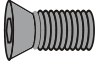



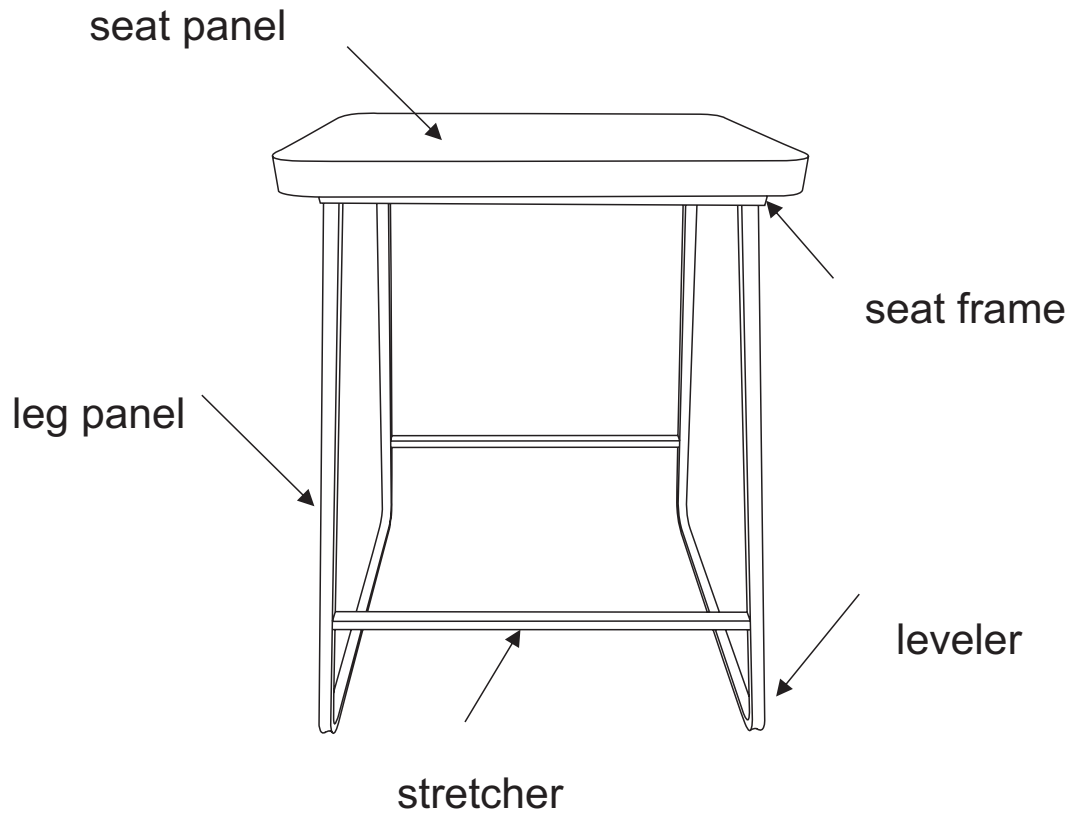
STEP2



STEP3



| | | | |
|---|---|------|-----------|
| A |  | 8PCS | 1/4"X15mm |
| B |  | 8PCS | φ 6.5mm |
| C |  | 8PCS | φ 6.5mm |
| D |  | 8PCS | 1/4"X12mm |
| E |  | 1PC | 4mm |



PRODUCT DETAILS

| | |
|-----------------|------------------------------------|
| SEAT | 25MM MDF LAMINATED MELAMINE VENEER |
| FRAME | IRON |
| LEG & STRETCHER | IRON |
| LEVELER | POLYETHYLENE |
| COLOR OF METAL | BLACK FLASH SILVER |
| PRODUCT SIZE | 19"X15"X24"H |
| SEAT PANEL SIZE | 16"X11.1"X1"H |
| SEAT HEIGHT | 24" |
| SEAT DEPTH | 11.1" |
| CARTON SIZE | 26X18"X5.25"H |
| NET WEIGHT | 19.50LBS |
| GROSS WEIGHT | 22.70LBS |
| CU.FT. | 1.42' |