

# Bed Frame





## IMPORTANT INFORMATION

READ CAREFULLY.

KEEP THIS INFORMATION FOR FURTHER REFERENCE.

## GENERAL GUIDELINES

- Please read the following instruction carefully and use the product accordingly.
- Please keep this manual and hand it over when you transfer the product.
- This summary may not include every detail of all variations and considered steps. Please contact us when further information and help are needed.

## NOTES

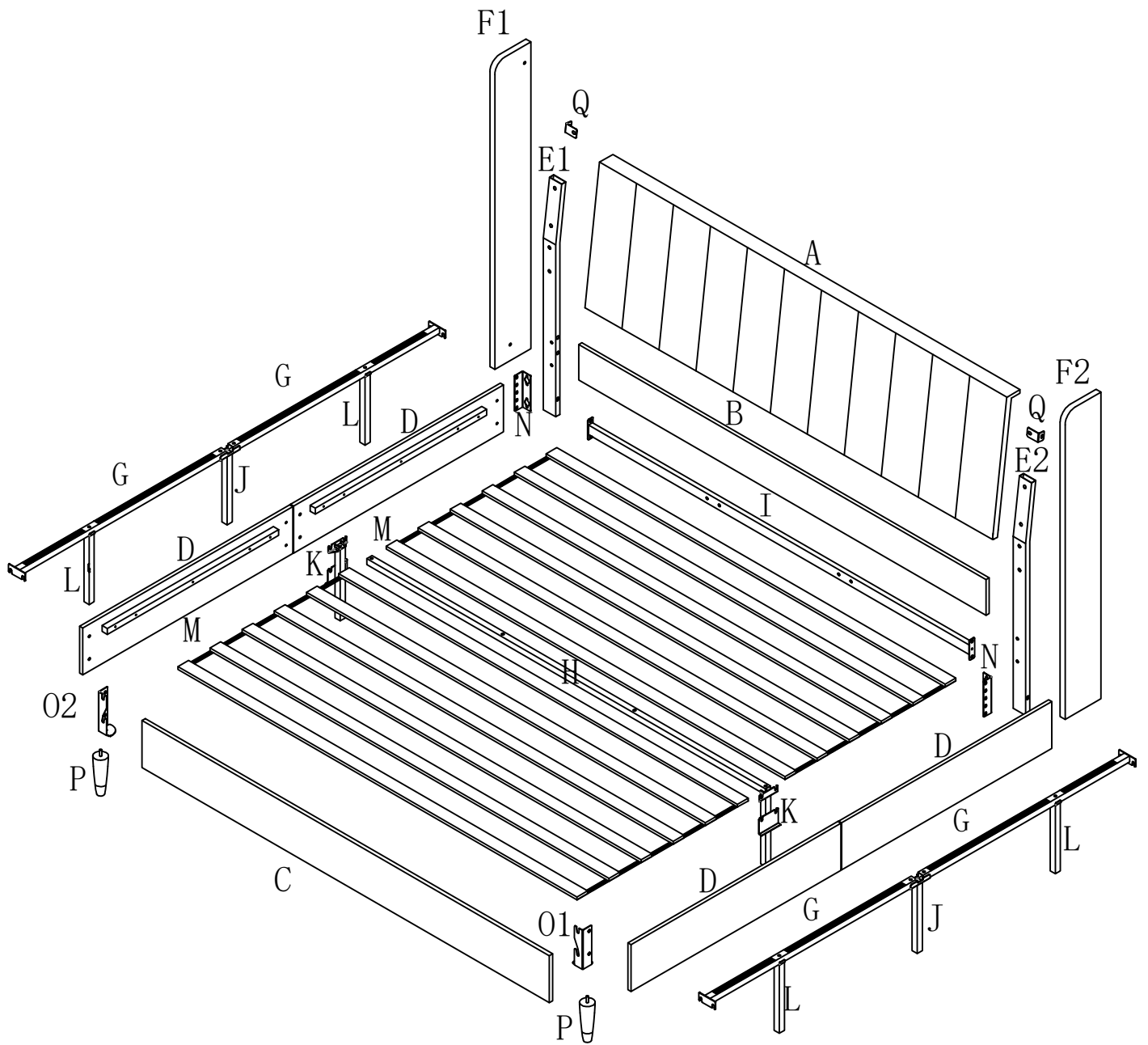
- Please follow the assembly instructions precisely and only use the product as intended.
- If an odor is present when first opening the package, please leave the unwrapped product in a shaded and ventilated area for a few days to air out.
- Prior to assembly, please check the product for defects or missing accessories. If any defects are found or accessories are missing, do not use product as damage or injury may occur; Please contact us for assistance and replacement.
- During assembly, please only slightly tighten all screws in their correct position first, then fully tighten them. A Philips screwdriver is recommended but not included.
- It is suggested you regularly check the products bolts and connections to ensure safe use.
- Assemble the item on a soft flat and clean surface to avoid scratches and damage.
- It is recommended that two people assemble this product.

## WARNINGS

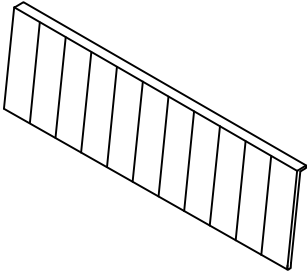
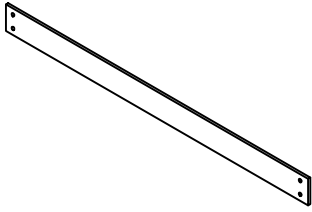
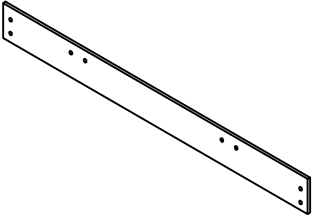
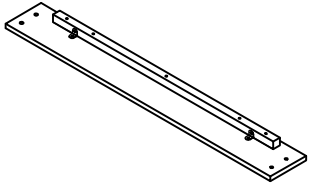
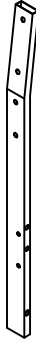
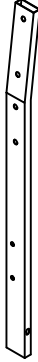


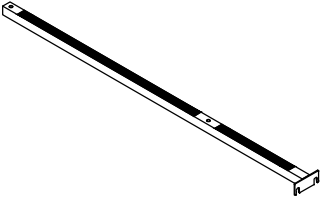
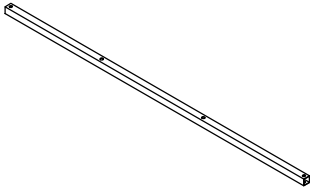
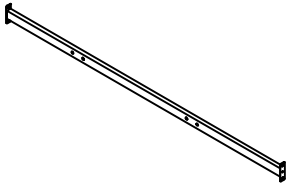
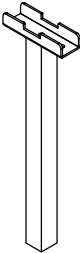
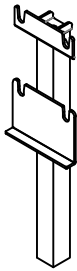

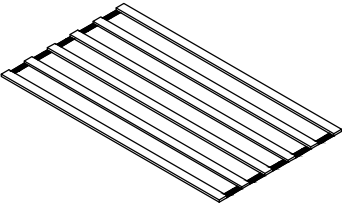
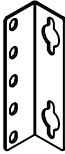



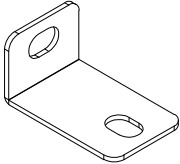
- During assembly, keep parts and packaging materials away from children and pets as there could cause injury and are a potential choking hazard.
- Avoid sharp objects or corrosive chemicals to prevent damage to the product.
- Please open the item slowly and cautiously to avoid pinching your hands by metal joints, especially children.

## ANTI-TIP WARNING

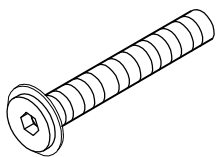
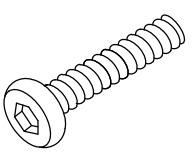
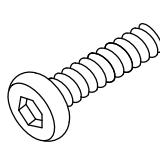
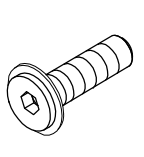
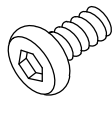
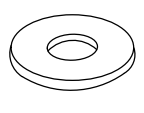
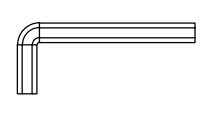
- Serious or fatal crushing injuries can occur from furniture tip-over. To prevent this furniture from tipping over it must be permanently fixed to the wall.
- Since different wall materials require different types of fixing device, for advice on suitable fixing systems, contact your local specialized dealer.






# Part list

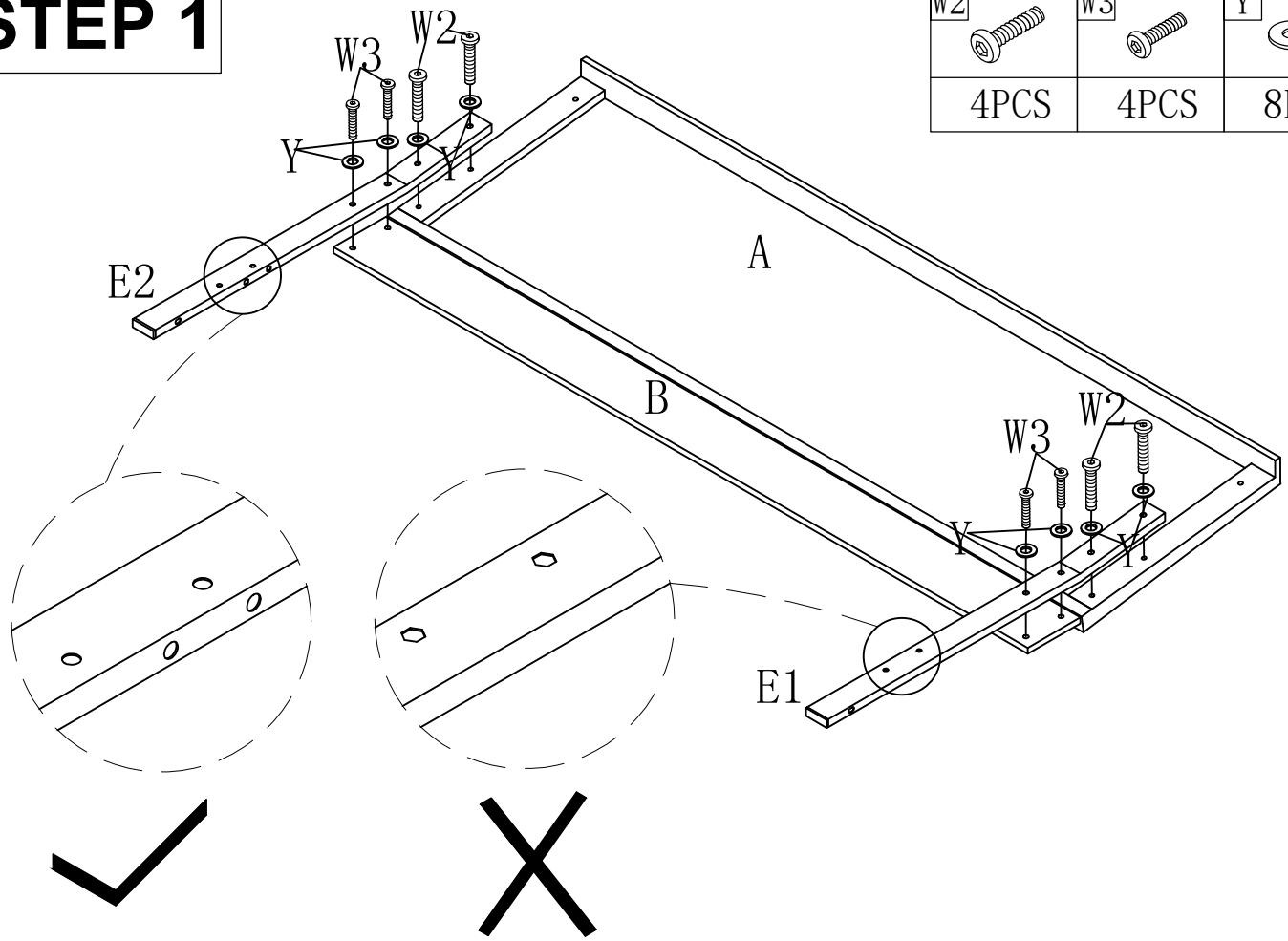
<p>A 1PC</p> 	<p>B 1PC</p> 	<p>C 1PC</p> 	<p>D 4PCS</p> 
<p>E1 1PC</p> 	<p>E2 1PC</p> 	<p>F1 1PC</p> 	<p>F2 1PC</p> 
<p>G 4PCS</p> 	<p>H 1PC</p> 	<p>I 1PC</p> 	<p>J 2PCS</p> 
<p>K 2PCS</p> 	<p>L 4PCS</p> 	<p>M 2PCS</p> 	<p>N 2PCS</p> 
<p>O1 1PC</p> 	<p>O2 1PC</p> 	<p>P 2PCS</p> 	<p>Q 2PCS</p> 

# Hardware list



<p>W1 2PCS</p>  <p>M8*85mm</p>	<p>W2 6PCS</p>  <p>M8*50mm</p>	<p>W3 14PCS</p>  <p>M8*38mm</p>	<p>W4 8PCS</p>  <p>M8*25mm</p>
<p>W5 24PCS</p>  <p>M8*18mm</p>	<p>Y 8PCS</p>  <p>φ22*φ8.5</p>	<p>Z 1PC</p>  <p>M8 Spanner</p>	

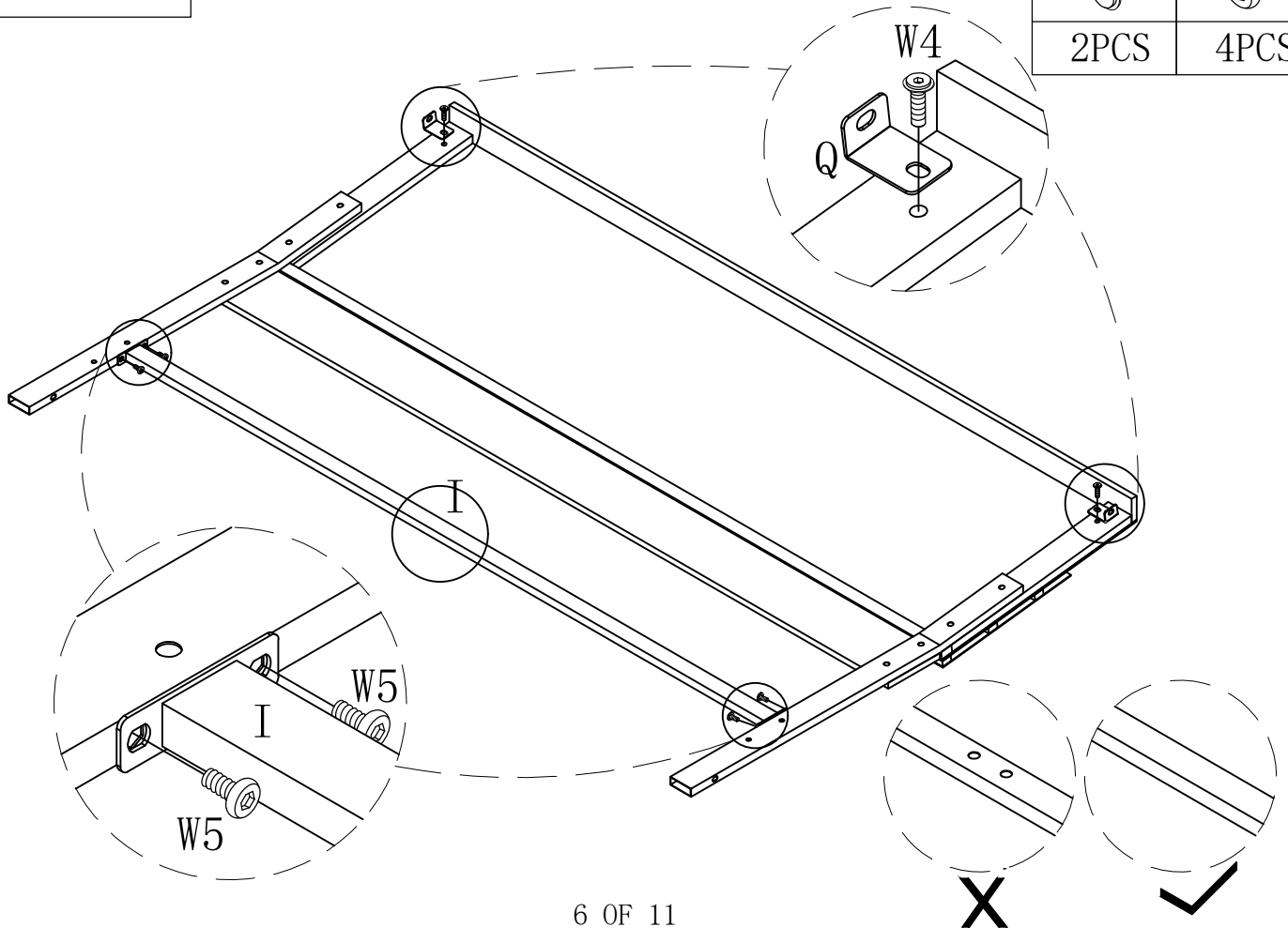
# STEP 1

W2		W3		Y	
	4PCS		4PCS		8PCS



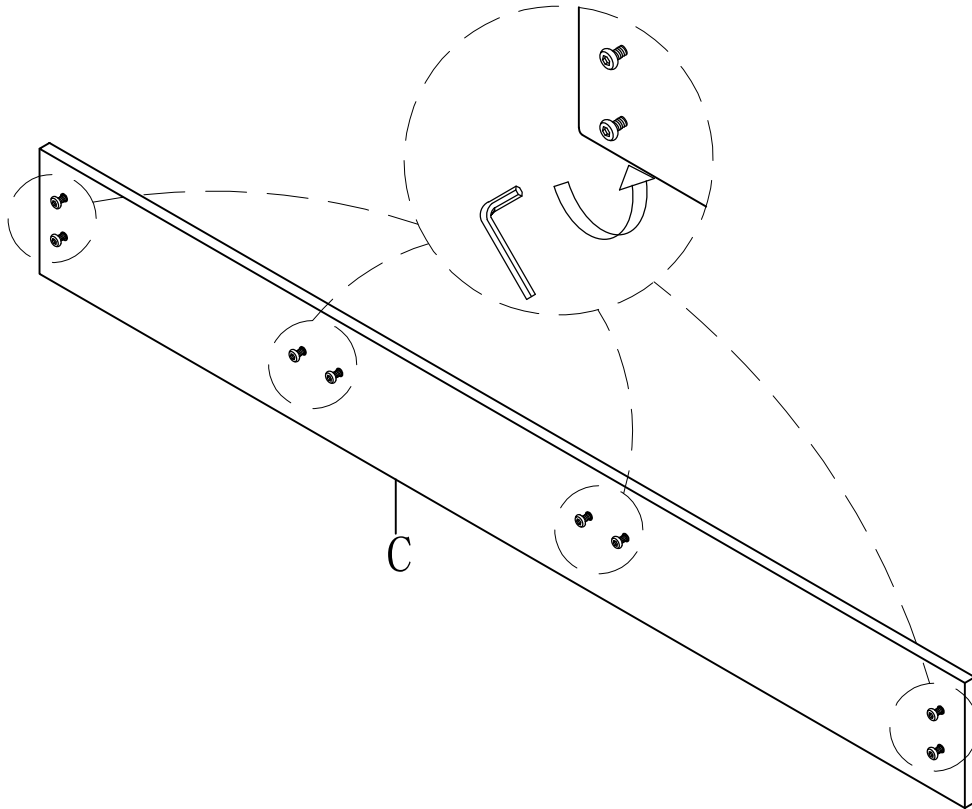
# STEP 2

W4		W5	
	2PCS		4PCS



# STEP 3

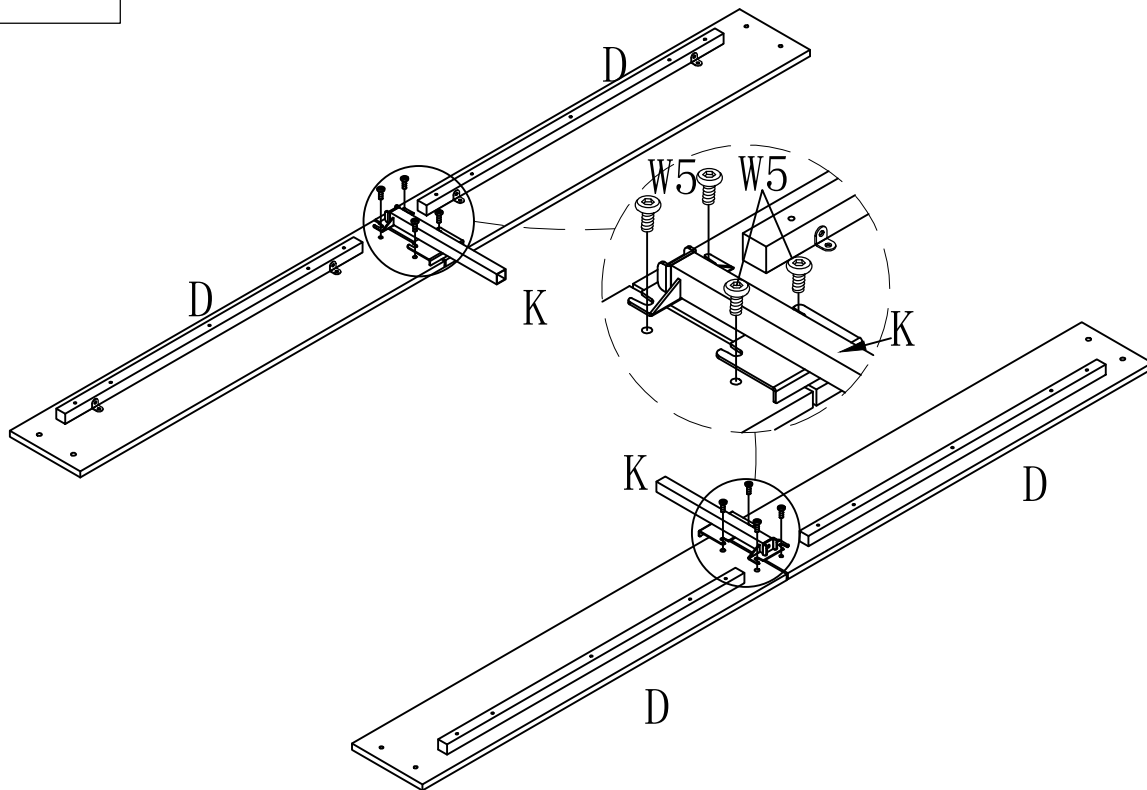
pre-installed screws.



Loosen but don't remove the pre-installed screws.

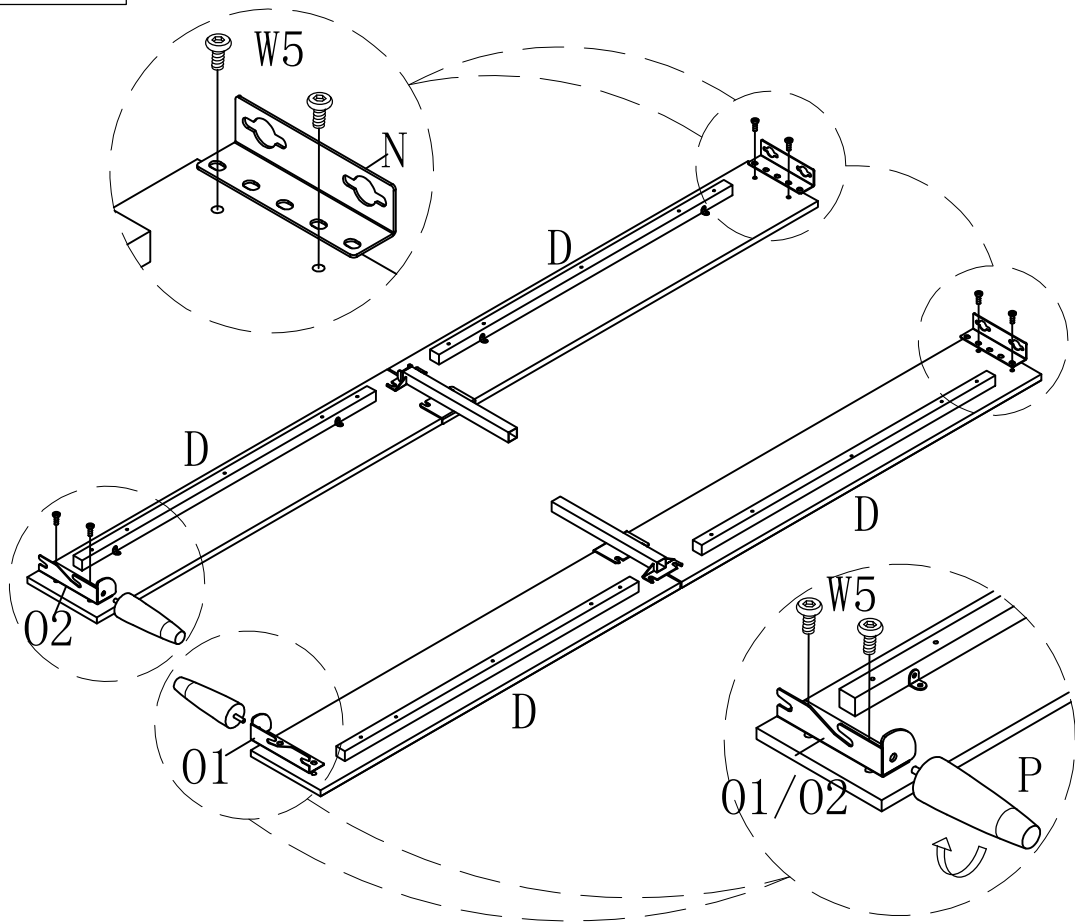
# STEP 4

W5  
8PCS

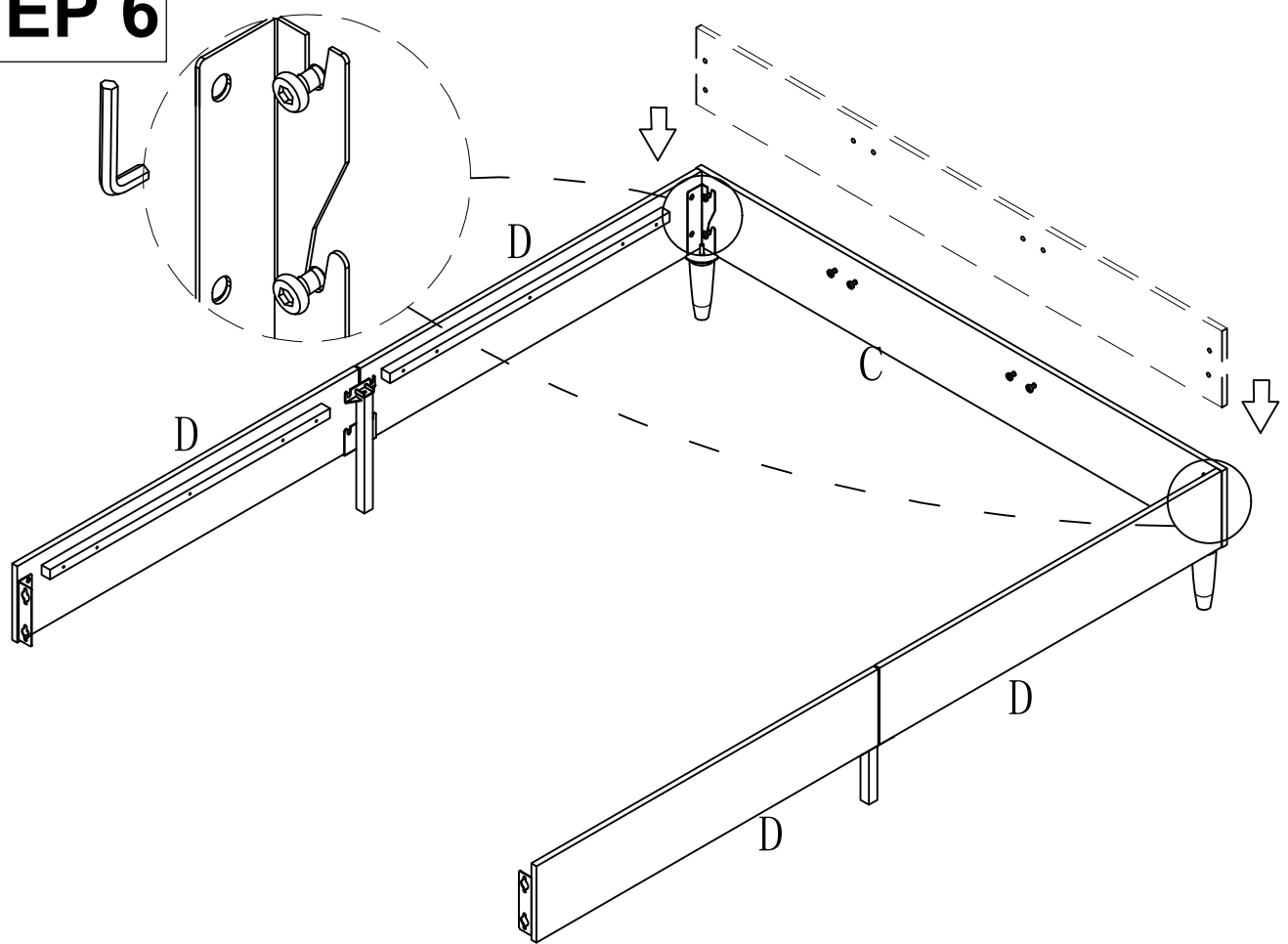


# STEP 5

W5  
8PCS



# STEP 6

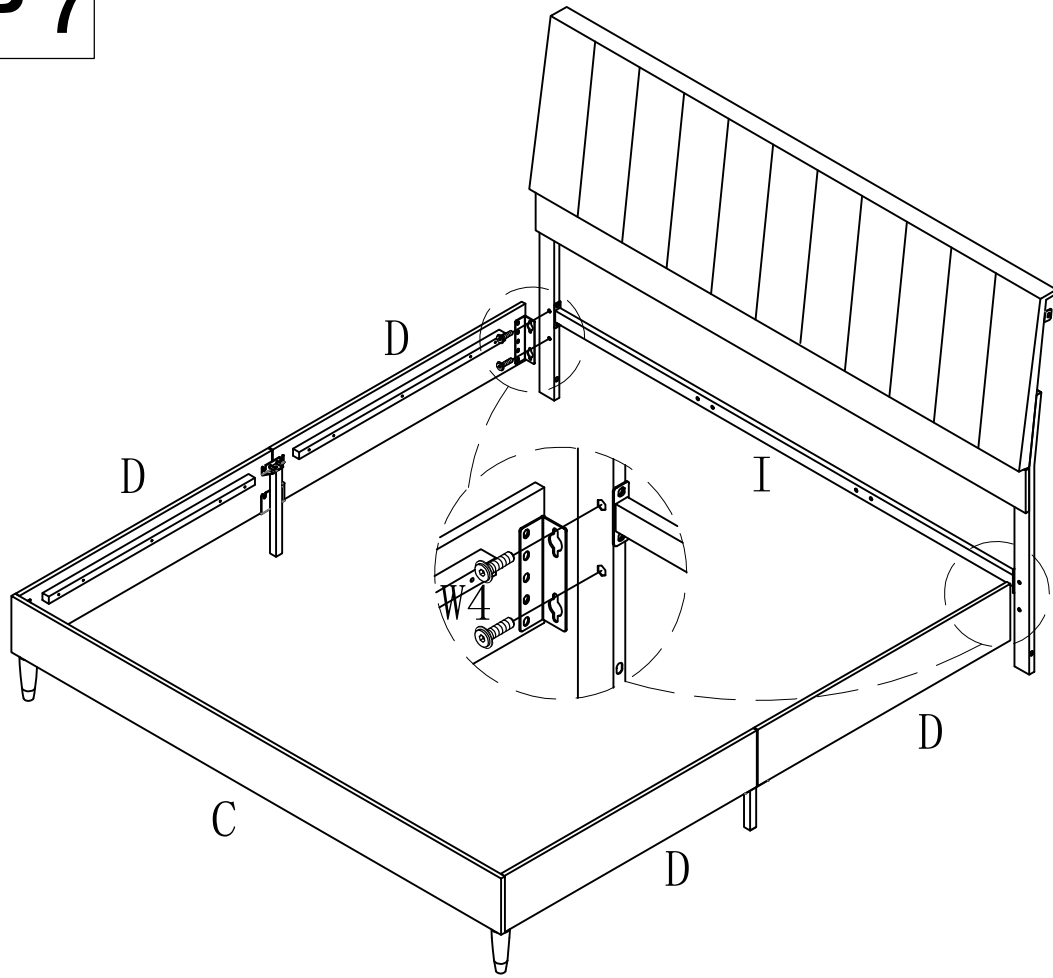


# STEP 7

W4



4PCS



# STEP 8

W2

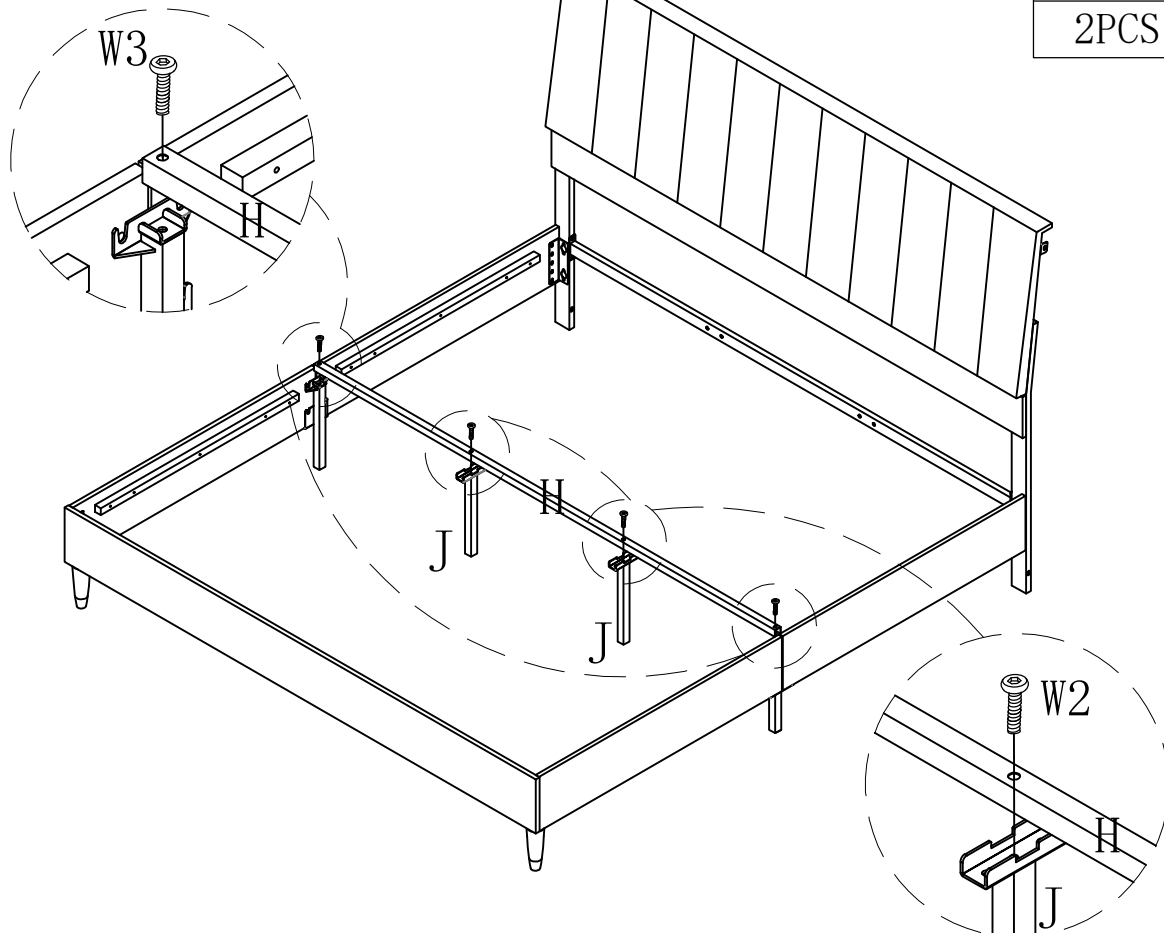


2PCS

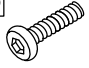

W3

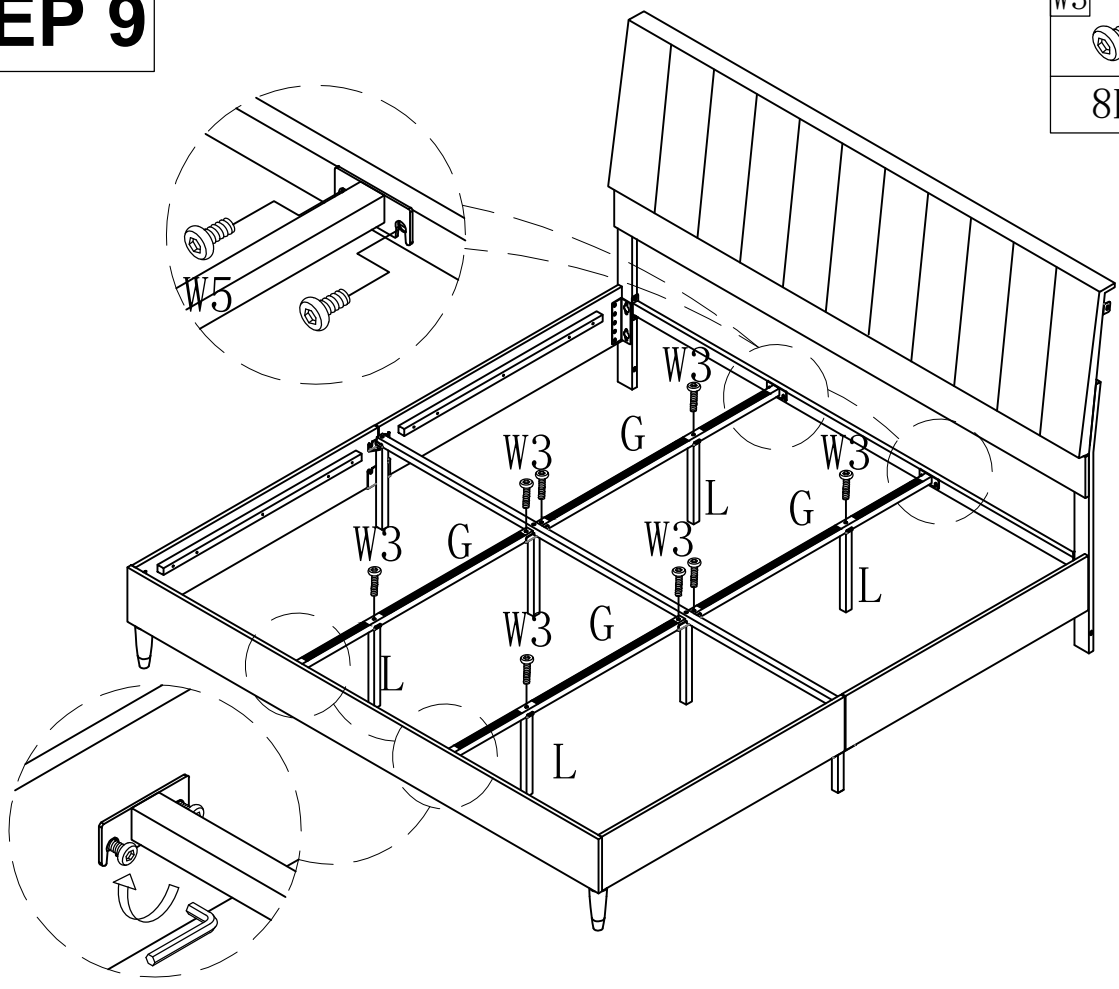


2PCS





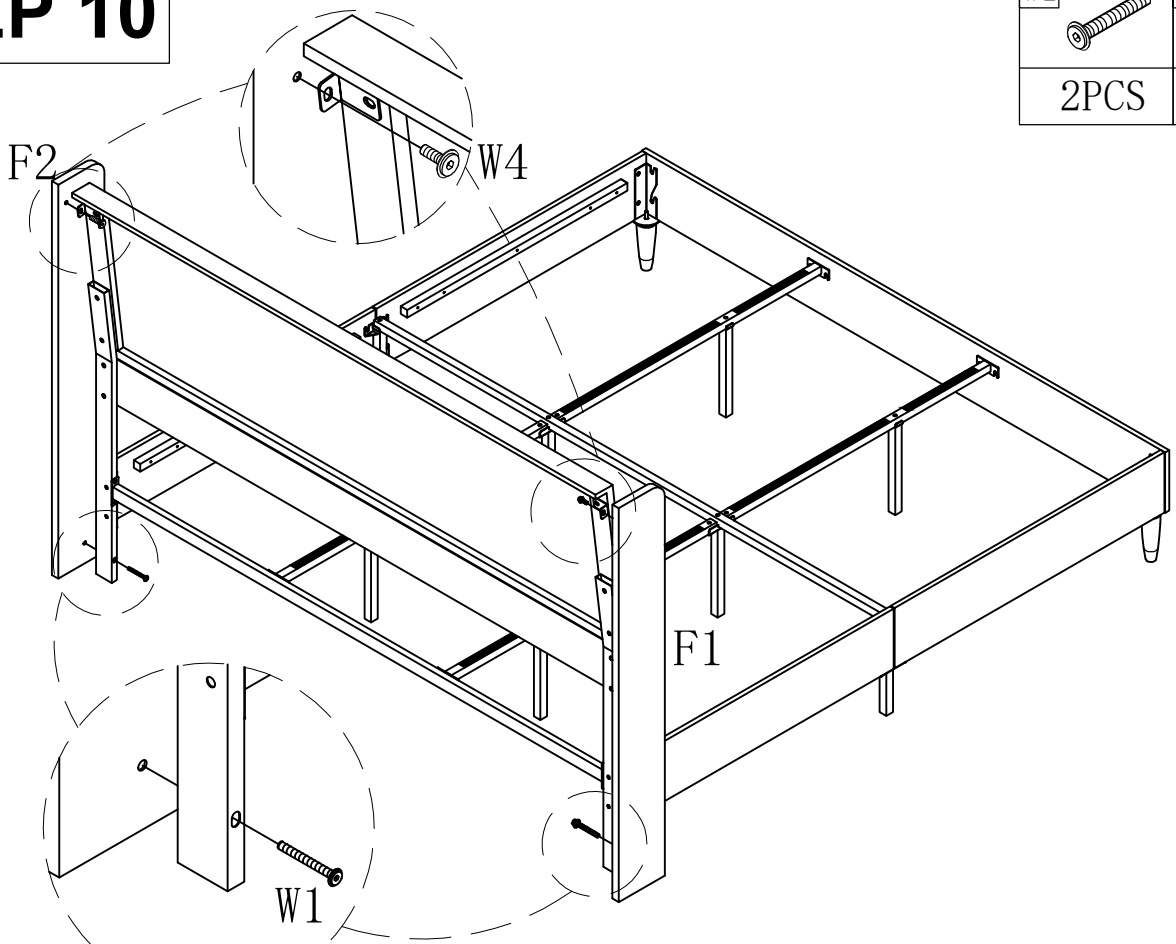
# STEP 9

W3		W5	
8PCS		4PCS	

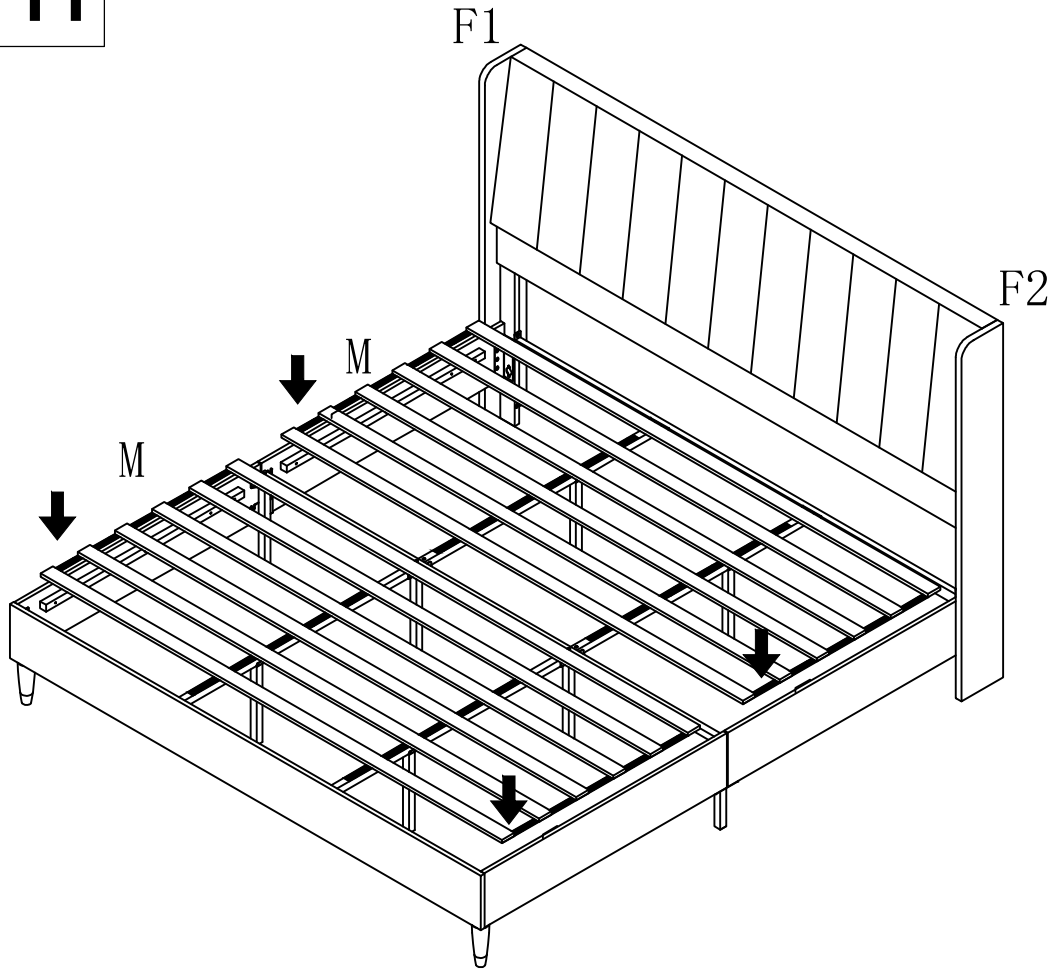


# STEP 10

W1		W4	
2PCS		2PCS	



# STEP 11



# STEP 12

