


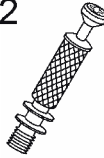



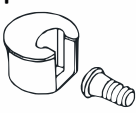

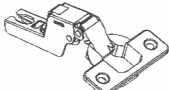

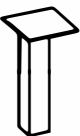
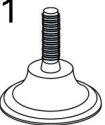
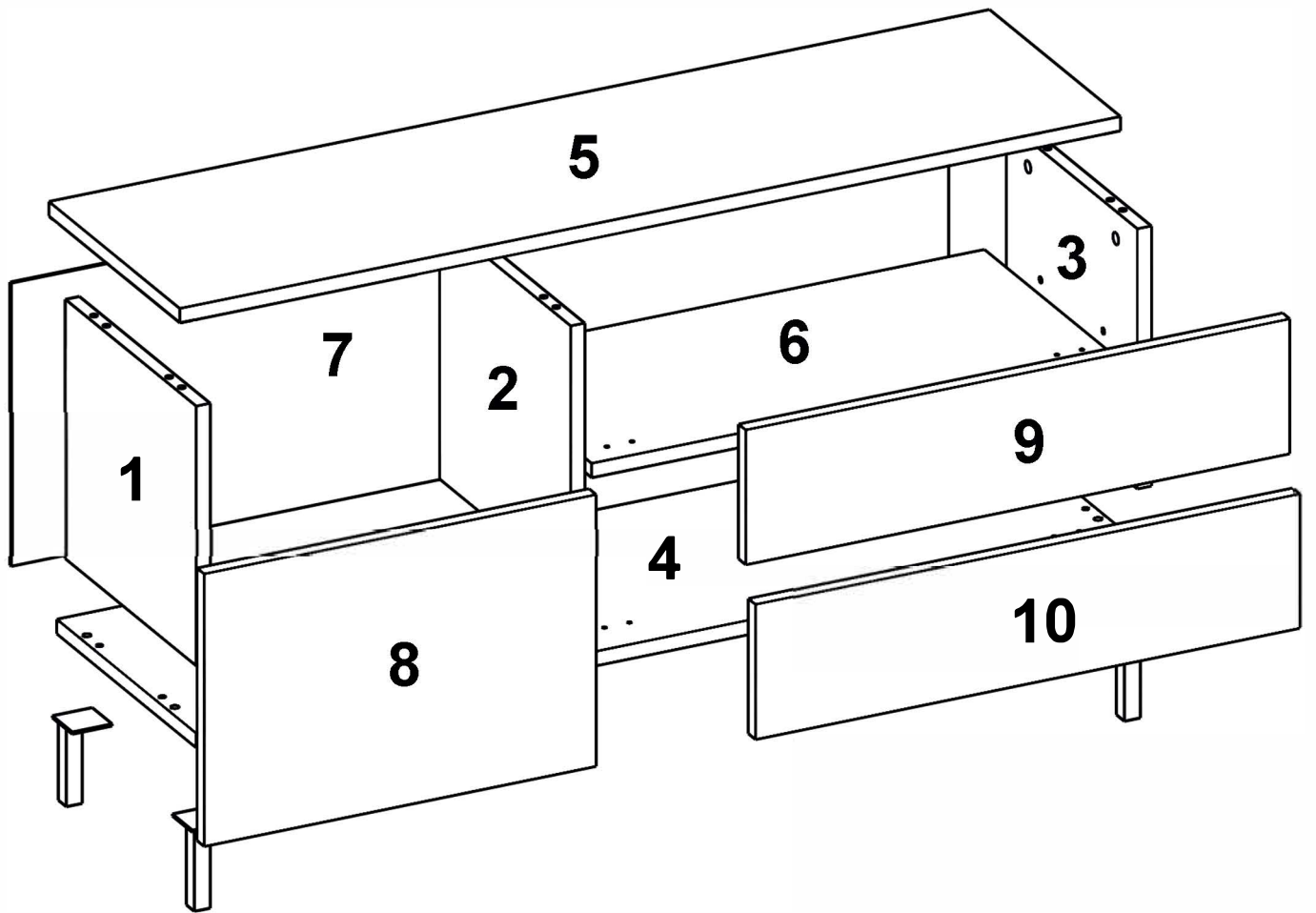
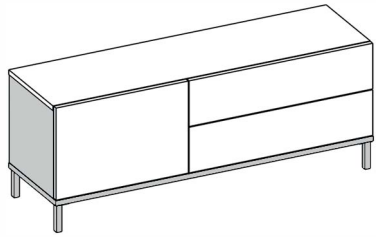


2  B0501 x12	2  B0502 x12	2  B0503 x12	2  B0504 x12	1  B0301 x48
P  B1102 x1	1  B1405 x3	1  B0507 x4	3  B0105 x6	3  B0103 x6
1  B0318 x20	P  D0154 x4	1  B1702 x4		





B0301



x12

B0502



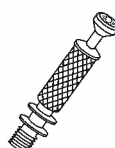
x6

B0503



x6

B0504

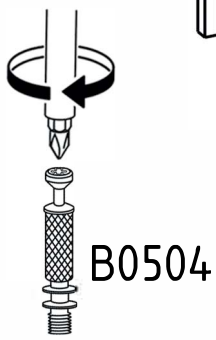
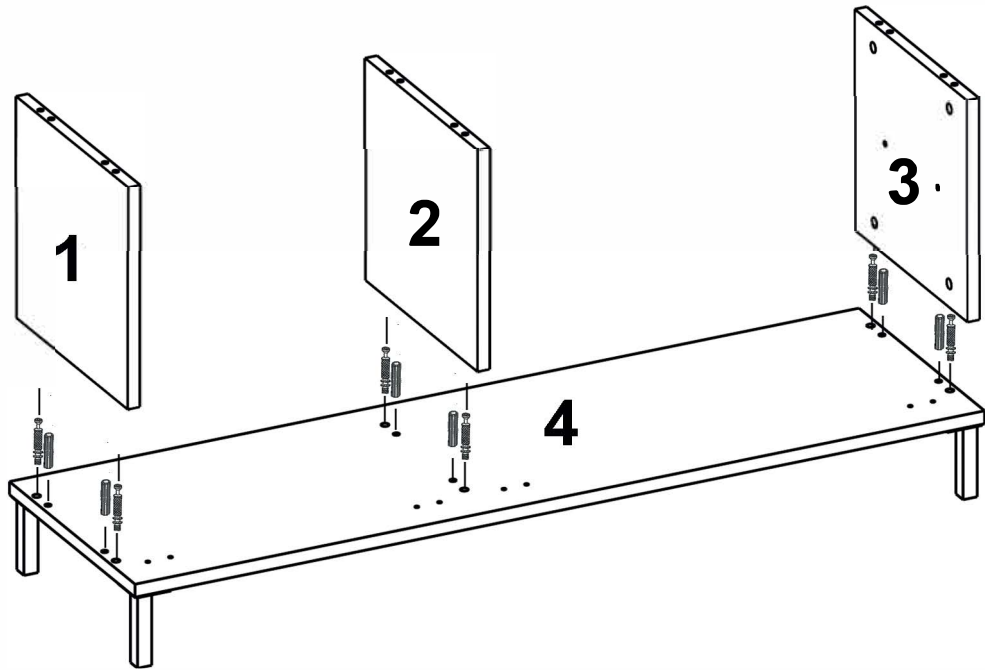
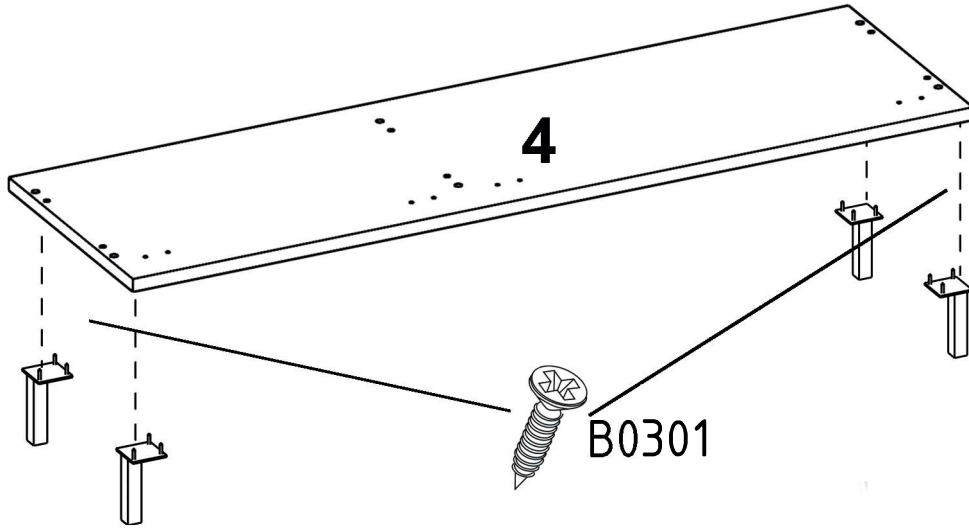
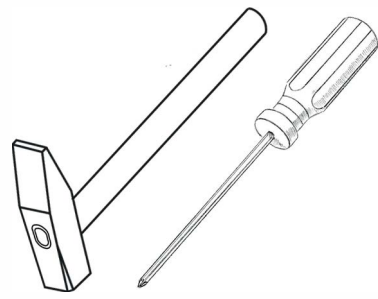


x6

B0501



x6



B0504

B0503

B0501

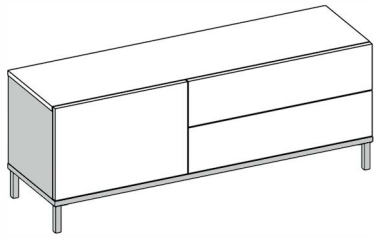
4

1-2-3

B0502

4

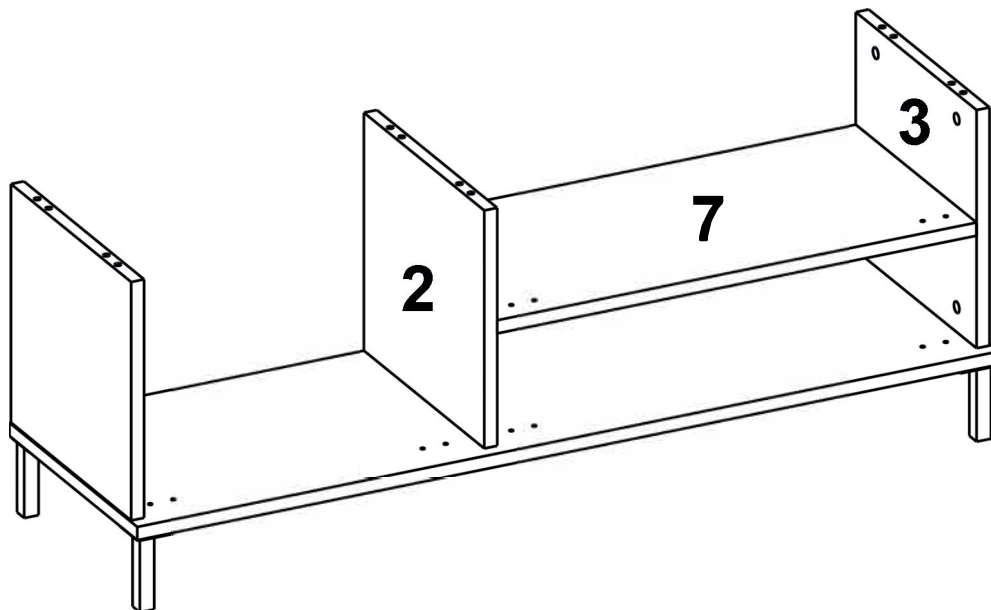
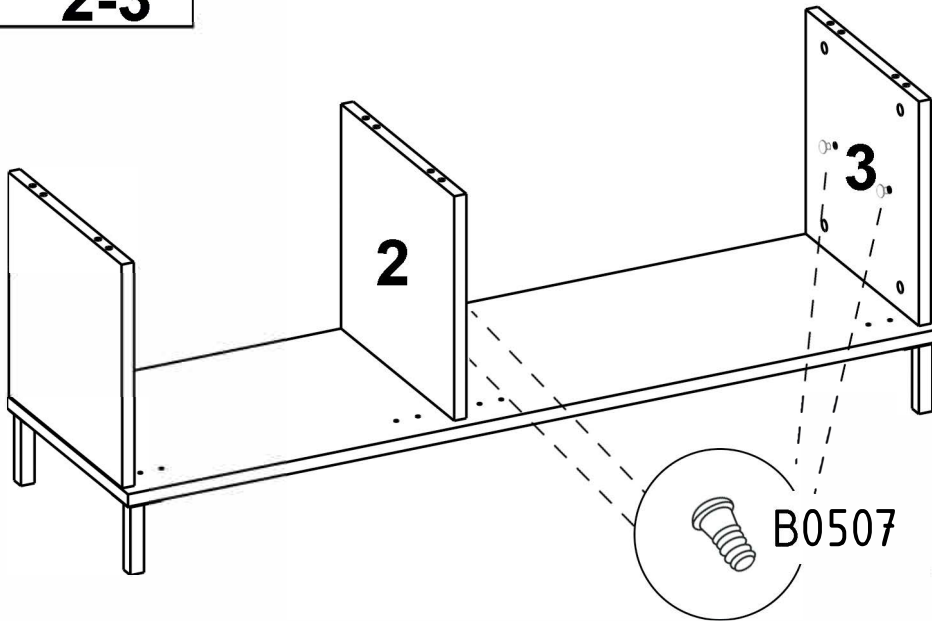
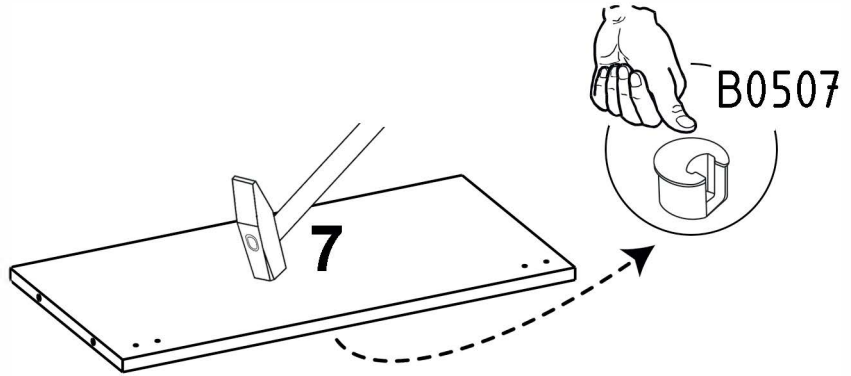
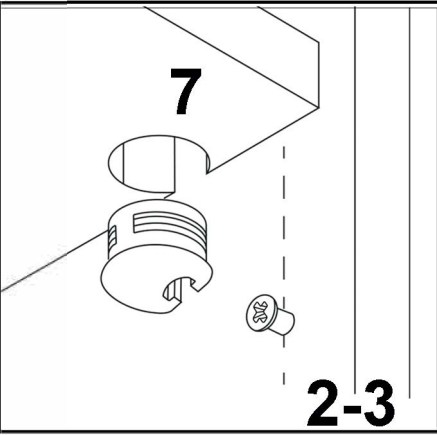
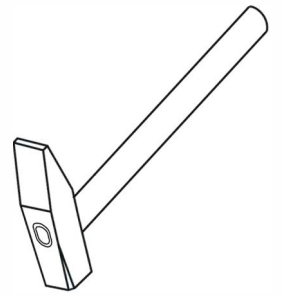
2

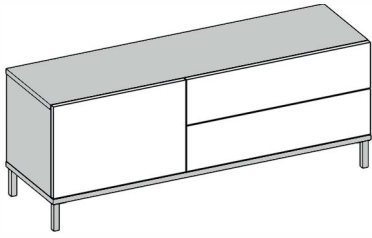


B0507



x4





B0502



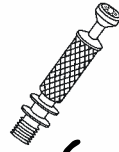
x6

B0503



x6

B0504

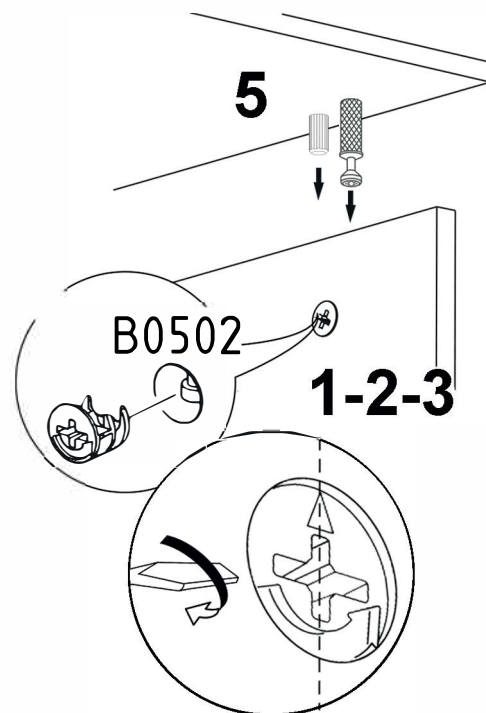
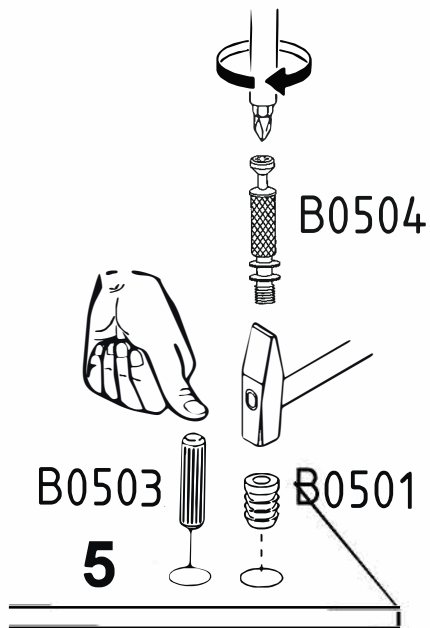
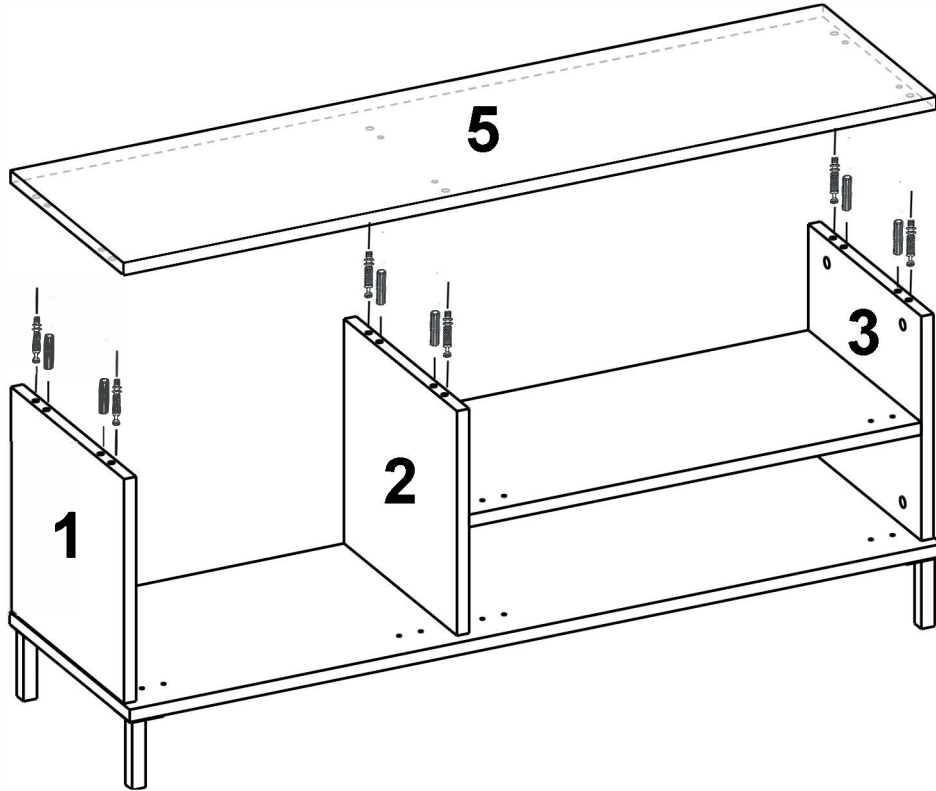
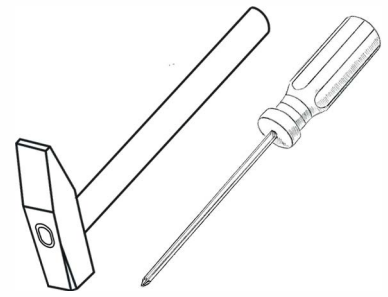


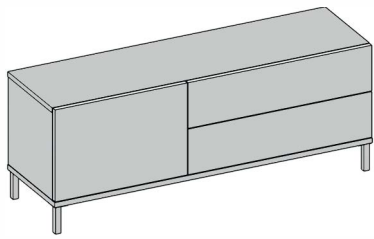
x6

B0501



x6





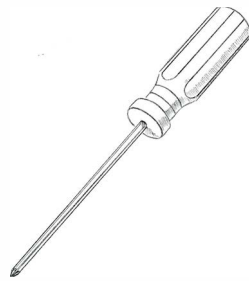
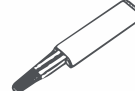
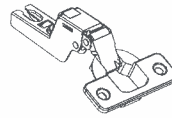
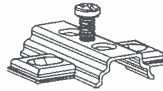
B0301

B0105

B0103

B1405

B1102



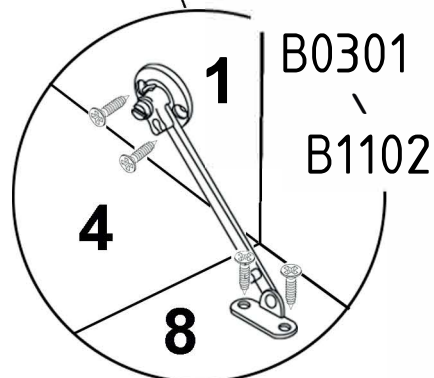
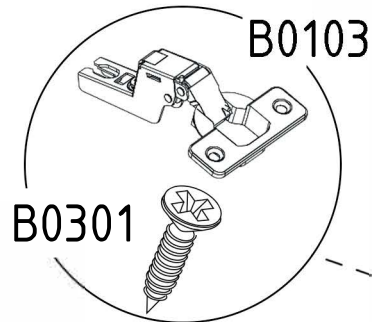
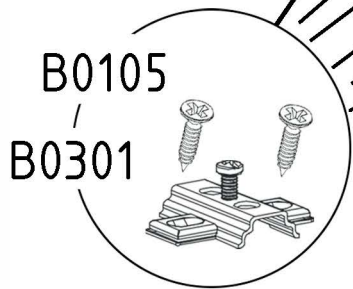
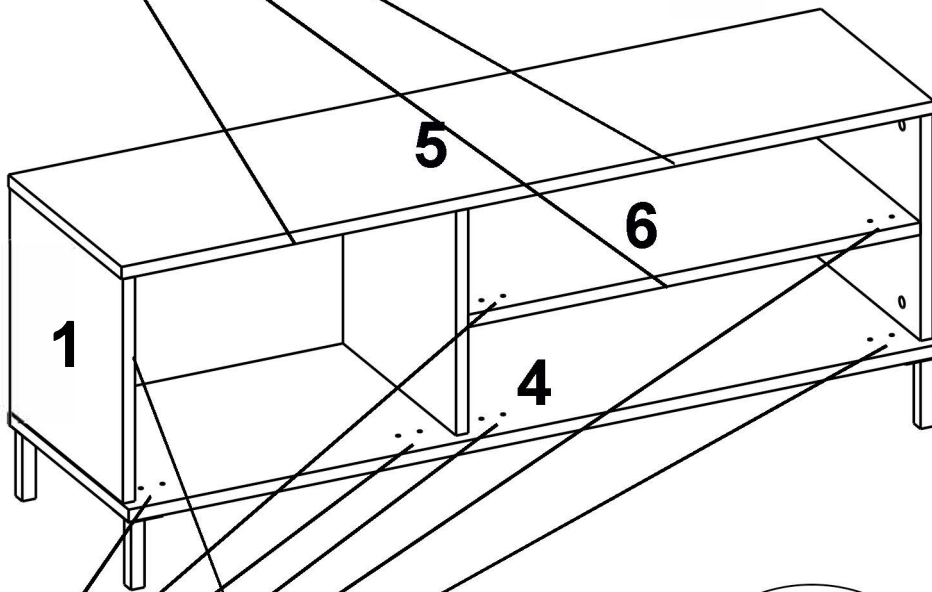
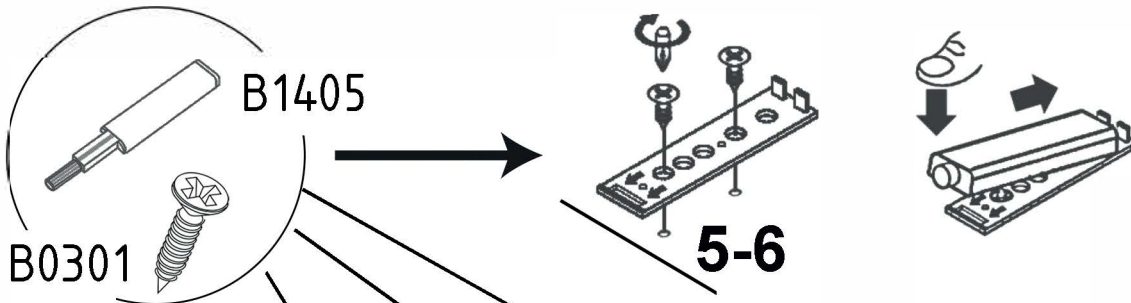
x34

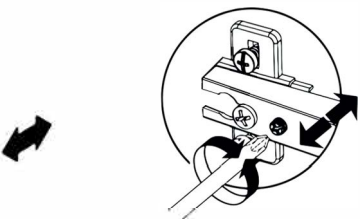
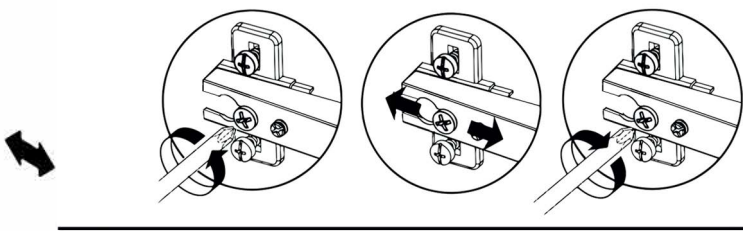
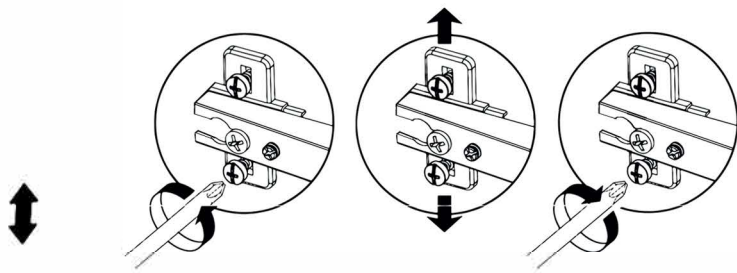
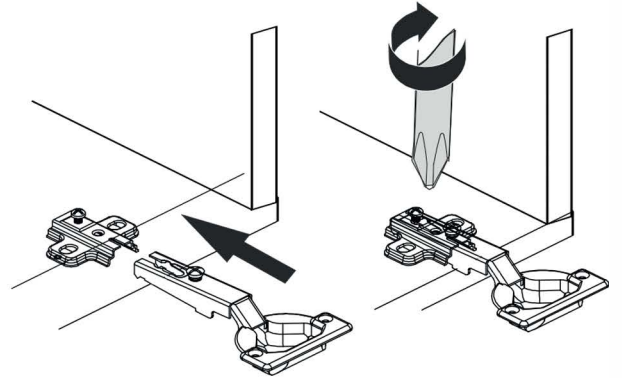
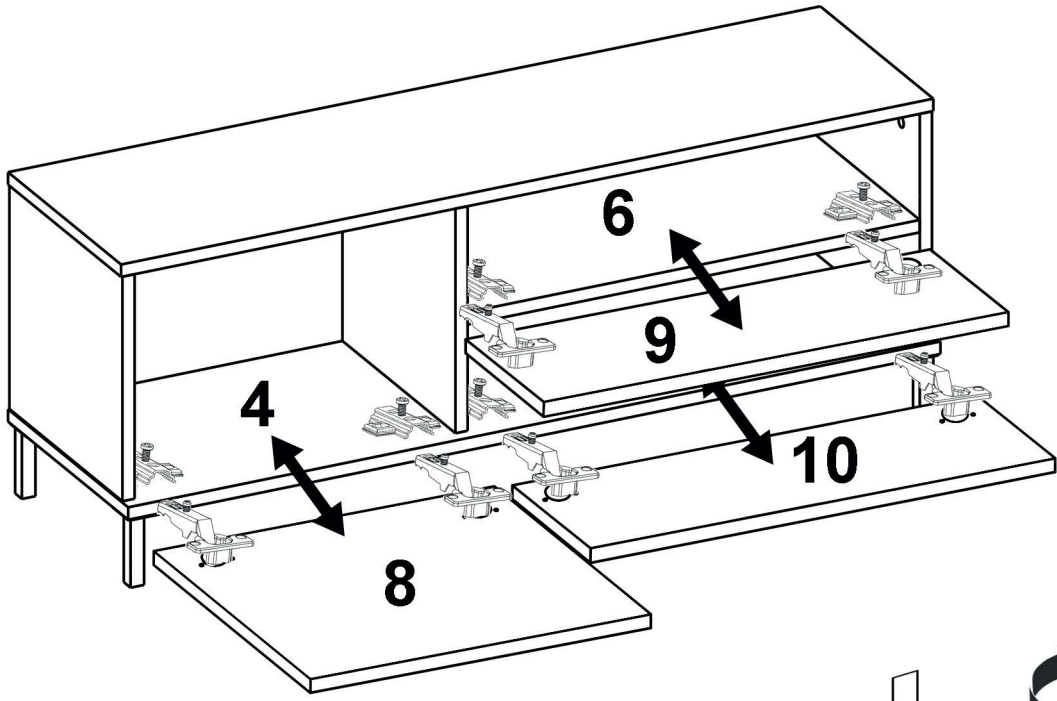
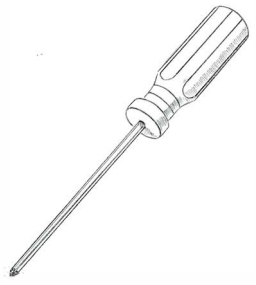
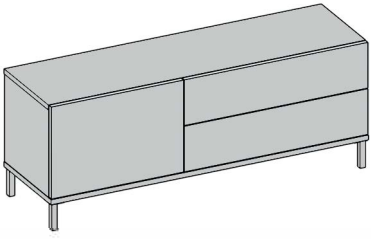
x6

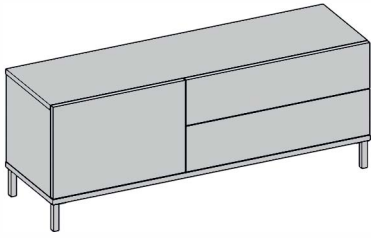
x6

x3

x1







B0318

B1702



x20

x4

