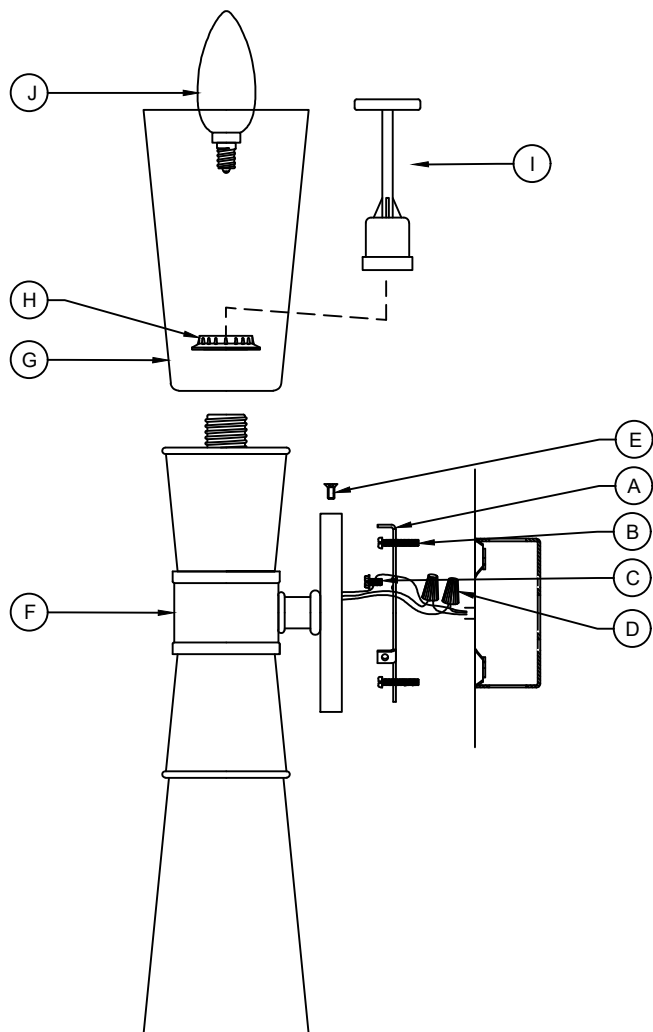


ASSEMBLY AND INSTALLATION INSTRUCTIONS

WARNING: TO AVOID RISK OF ELECTRICAL SHOCK, BE SURE TO SHUT OFF POWER BEFORE INSTALLING OR SERVICING THIS FIXTURE.



Before You Begin:

- Ensure power is turned off at the circuit breaker before installation.
- Read all instructions carefully.
- Installation should be performed by a qualified electrician if you are unfamiliar with wiring.

Step-by-Step Installation:

1. Secure the Mounting Plate:

- Secure the mounting plate (A) to the junction box using the provided screws (B).
- This fixture is designed for installation on standard round or octagonal junction boxes. Ensure the junction box is firmly anchored to the building structure.

2. Connect the Ground Wire:

Connect the ground wire (silver) to the grounding terminal inside the junction box or to the grounding screw (C) on the mounting plate (A).

3. Connect the fixture wires to the supply wires using wire connectors (D):

· Note: Connect the black (hot) wire to the black wire, the white (neutral) wire to the white wire.

· Ensure no exposed conductors remain outside wire connectors or outside the junction box. Wrap the connections tightly with electrical tape.

4. Secure the Fixture:

Align the fixture component (F) over the mounting plate (A) and secure it with the screws (E).

5. Install the Lampshade:

Place the glass shade (G) onto the component (F). Secure it using the retaining ring (H) and tighten with the provided tool (I).

6. Install the Bulb Socket:

Install the bulbs (J) into the socket (Bulbs Not Included).

7. Restore Power:

Restore power at the circuit breaker or fuse box.

Safety Instructions:

To avoid fire, shock, and serious personal injury, follow all instructions carefully.

1. Do not install or use the light fixture if any part is missing or damaged.
2. To avoid possible electrical shock be sure electricity is turned off at the main fuse or circuit breaker box before wiring.
3. Make certain no bare wires are exposed outside the wire connectors.
4. All wiring must conform to national and local electrical codes.
5. Follow the recommended instructions for the proper method of wiring your new light fixture. If you feel you do not have enough electrical wiring knowledge or experience, have your light fixture installed by a licensed electrician. Any electrical work not described in this manual should be performed by a licensed electrician.