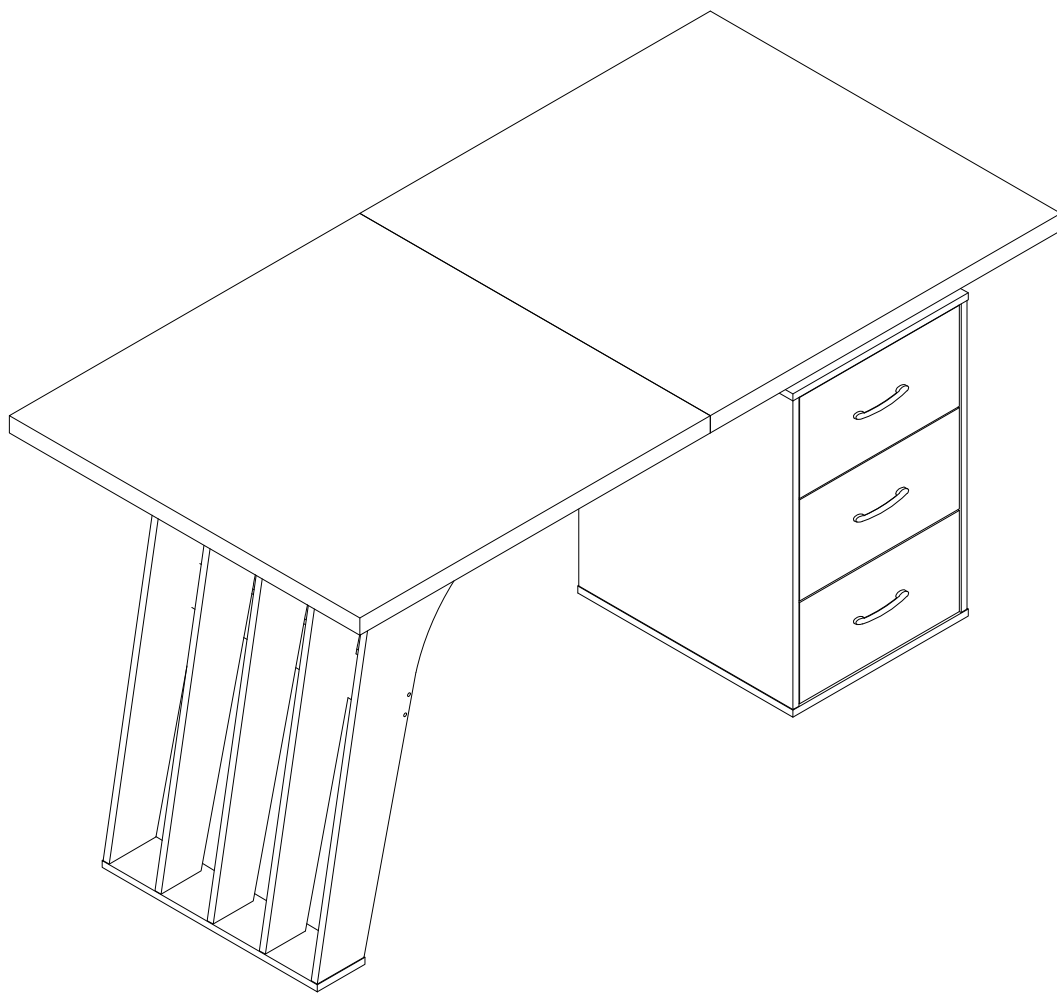
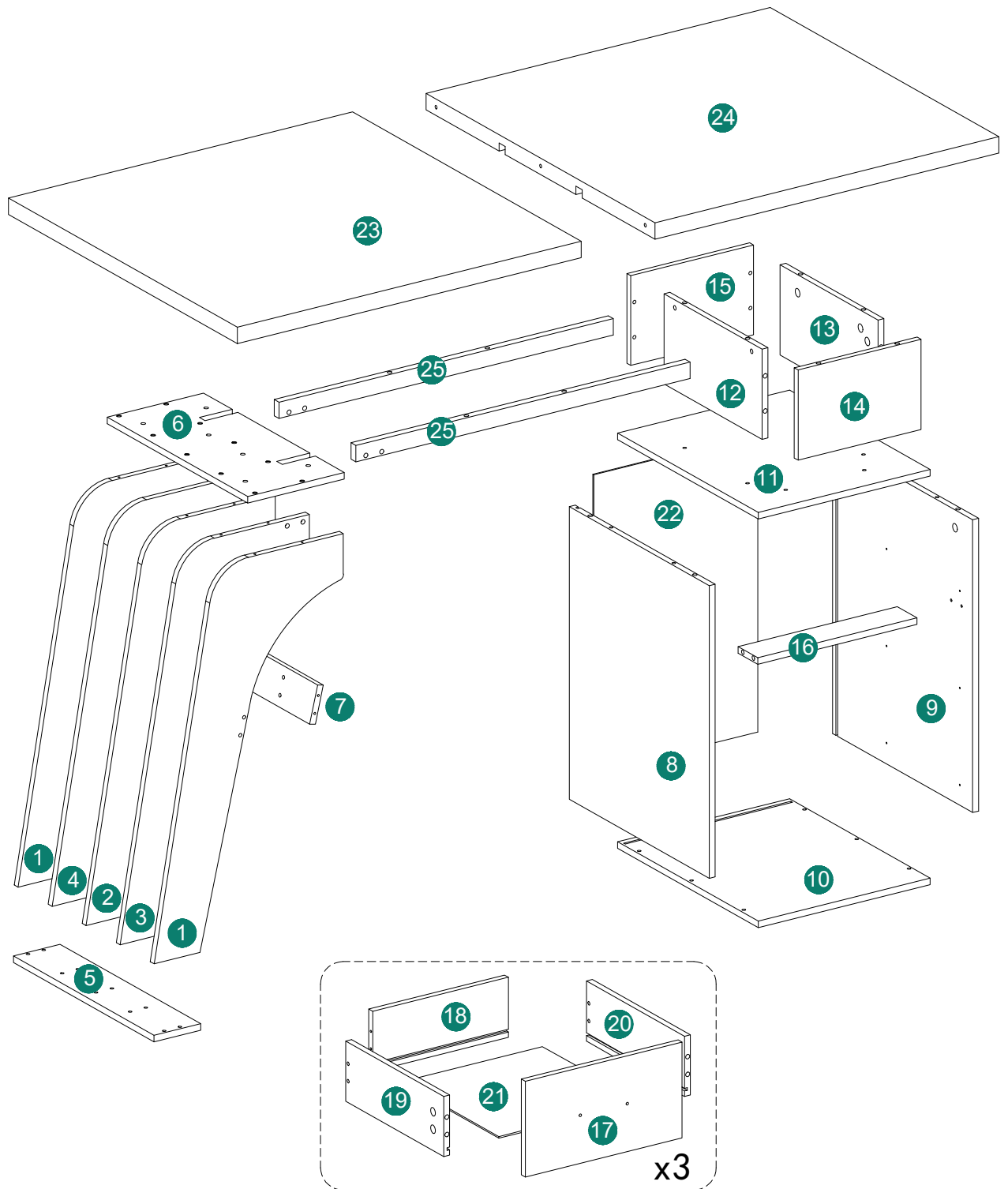
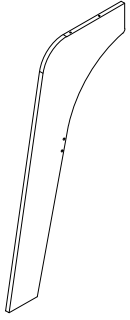


ASSEMBLY INSTRUCTION



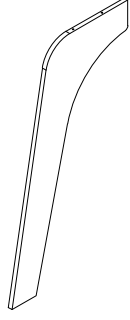


1



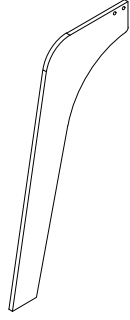
2PCS

2



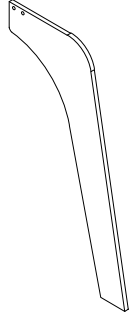
1PCS

3



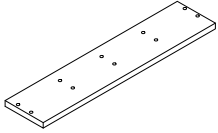
1PCS

4



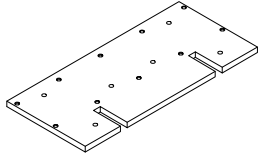
1PCS

5



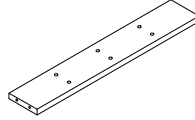
1PCS

6



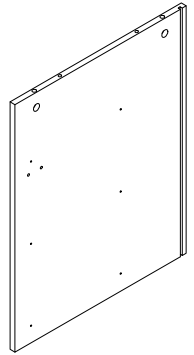
1PCS

7



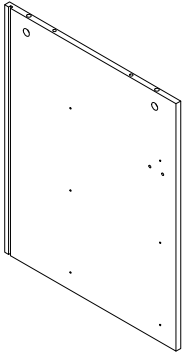
1PCS

8



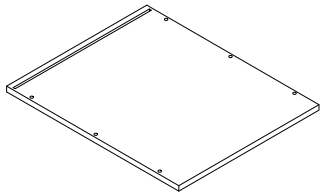
1PCS

9



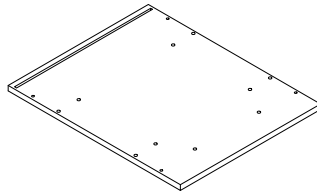
1PCS

10



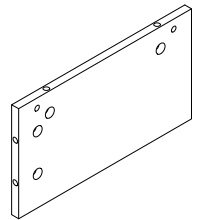
1PCS

11



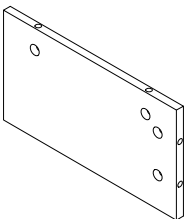
1PCS

12



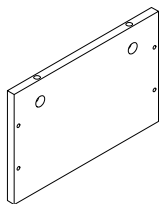
1PCS

13



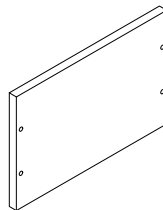
1PCS

14



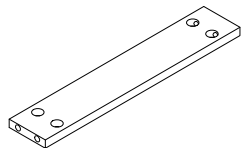
1PCS

15



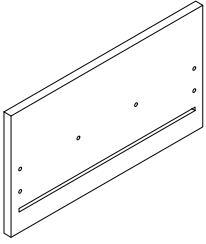
1PCS

16



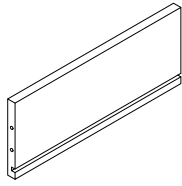
1PCS

17



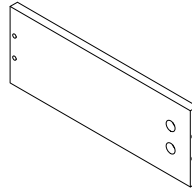
3PCS

18



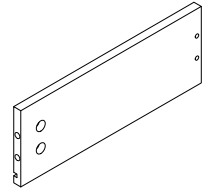
3PCS

19



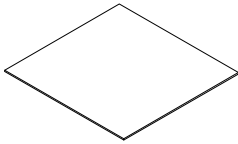
3PCS

20



3PCS

21



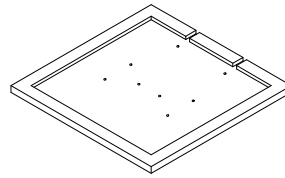
3PCS

22



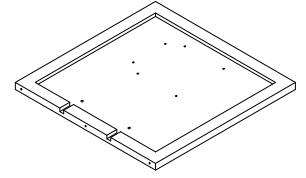
1PCS

23



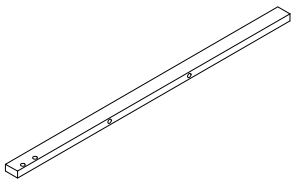
1PCS

24

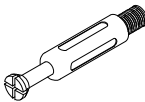
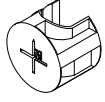
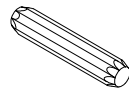
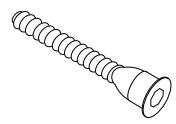


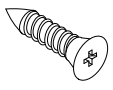
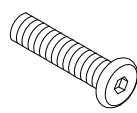
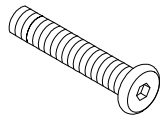

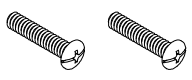
1PCS

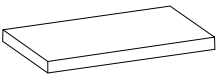
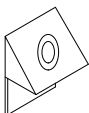
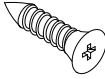
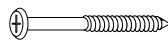
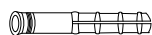
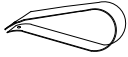

25

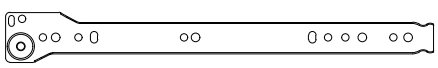
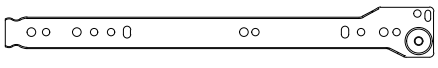
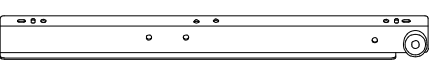
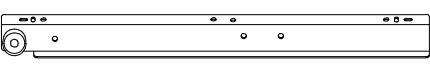
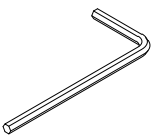
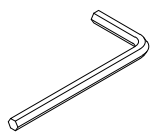
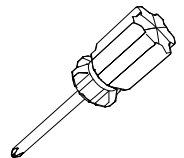


2PCS

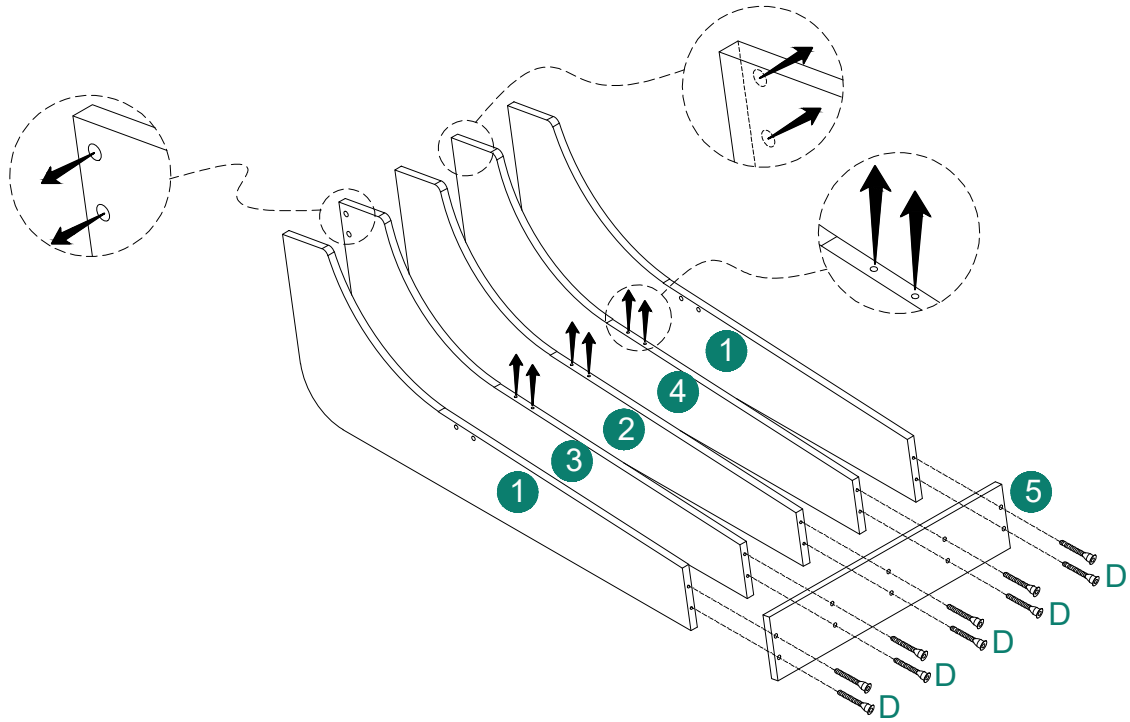
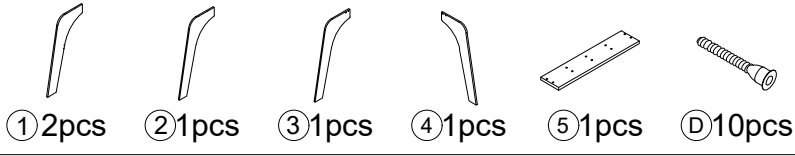
| | | | |
|---|---|---|---|
| <p>A</p>  <p>M6*40</p> <p>30+3PCS</p> | <p>B</p>  <p>∅15*9.3mm</p> <p>30+3PCS</p> | <p>C</p>  <p>∅6*30mm</p> <p>9+1PCS</p> | <p>D</p>  <p>M5*38</p> <p>56+5PCS</p> |
|---|---|---|---|

| | | | |
|---|---|---|--|
| <p>E</p>  <p>M3*12</p> <p>24+2PCS</p> | <p>F</p>  <p>M6*22</p> <p>10+1PCS</p> | <p>G</p>  <p>M6*40</p> <p>6+1PCS</p> | <p>H</p> <p>H1 </p> <p>H2 </p> <p>M4*15</p> <p>3PCS</p> |
|---|---|---|--|

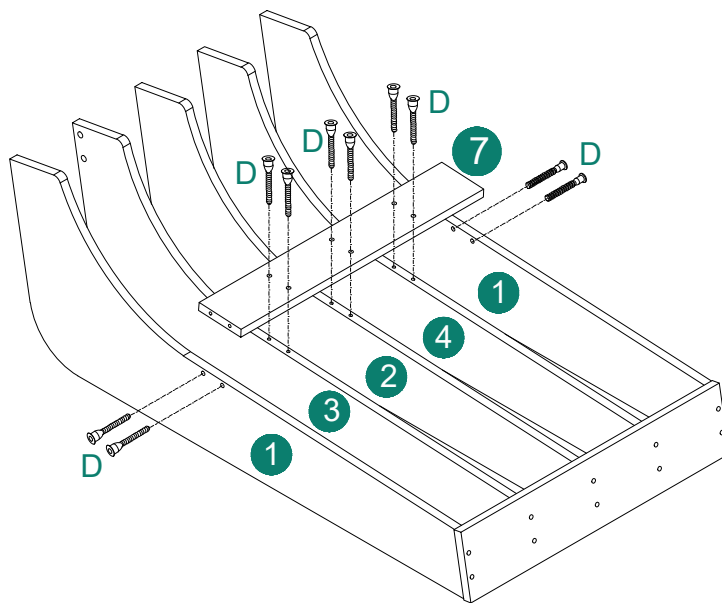
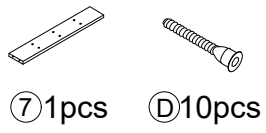
| | | | |
|---|--|---|--|
| <p>I</p>  <p>8+2PCS</p> | <p>J</p> <p>J1 </p> <p>J2 </p> <p>M3*14</p> <p>6+1PCS</p> | <p>K</p>     <p>M6*10</p> <p>1PCS</p> | |
|---|--|---|--|

| | |
|---|--|
| <p>CL </p> <p>CR </p> <p>DL </p> <p>DR </p> <p>12" 3PCS</p> |  <p>3mm</p>  <p>4mm</p>  |
|---|--|

1



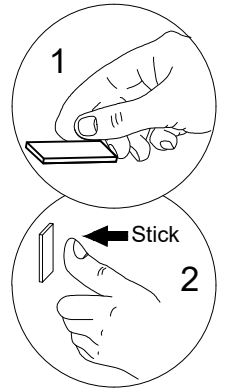
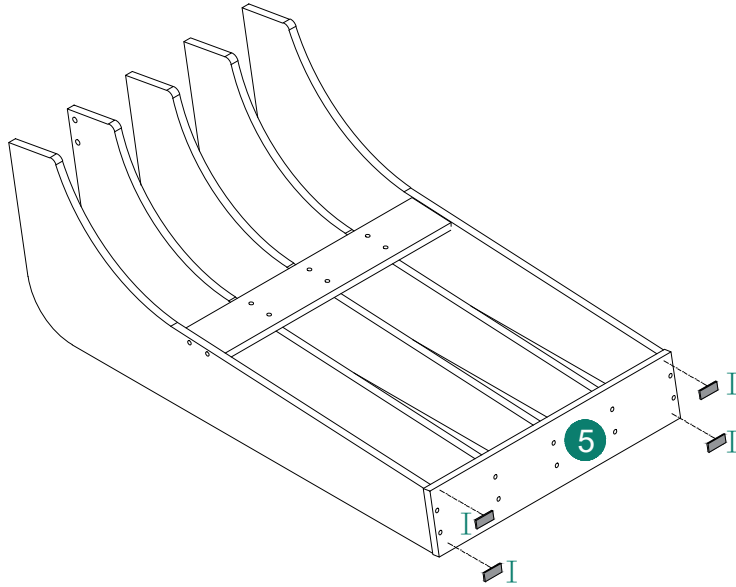
2



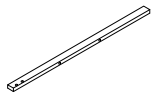
3



① 4pcs



4

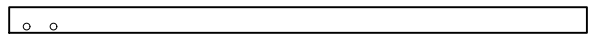


② 2pcs



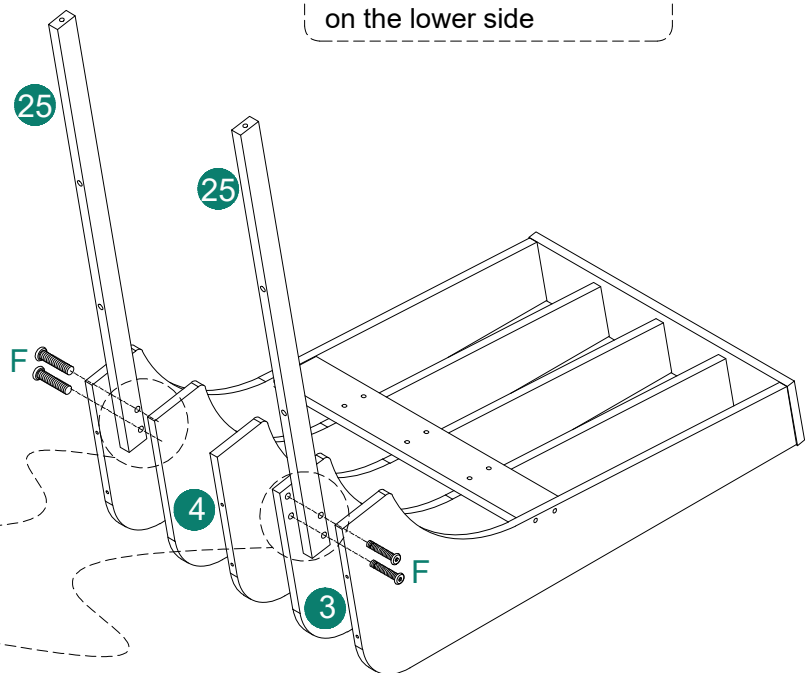
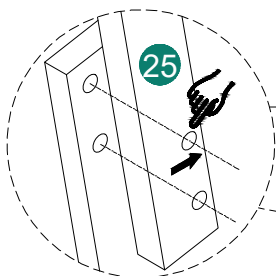
③ 4pcs

④

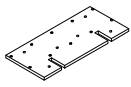


Please note that when installing, these two holes of #25 need to be located on the lower side

Please note that these two holes are located on the lower side



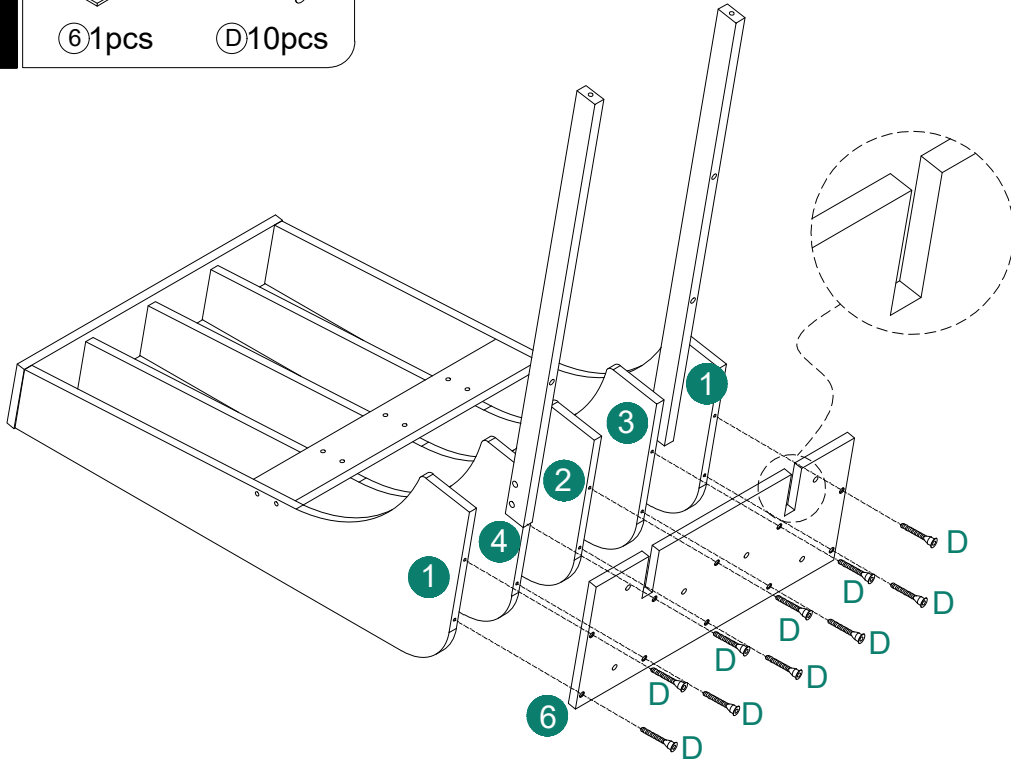
5



⑥1pcs



①10pcs



6



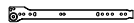
⑧1pcs



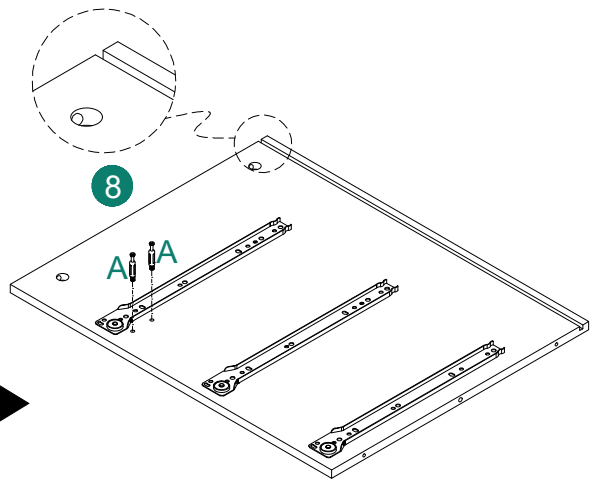
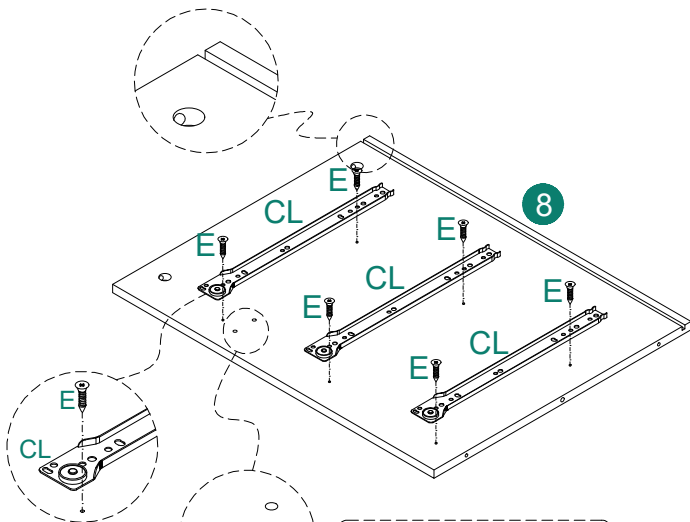
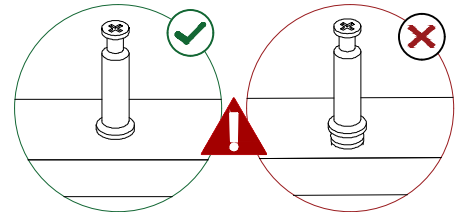
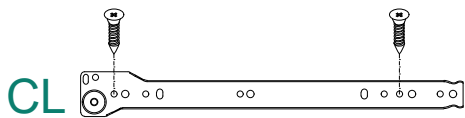
②2pcs



⑥6pcs

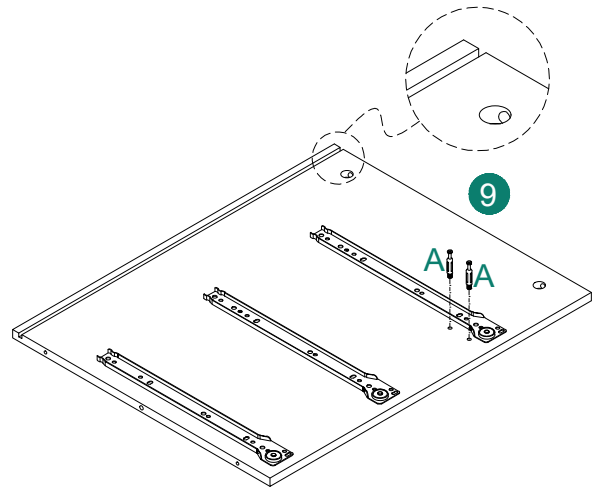
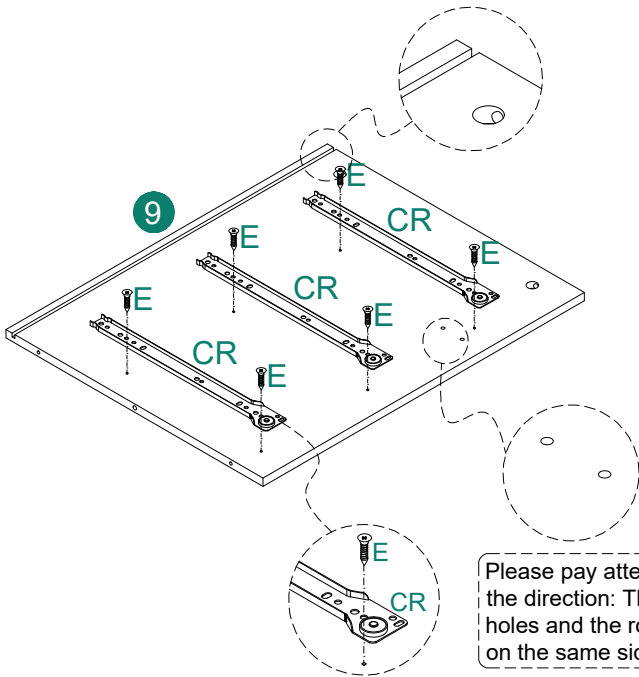
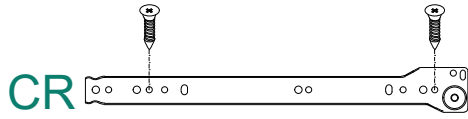
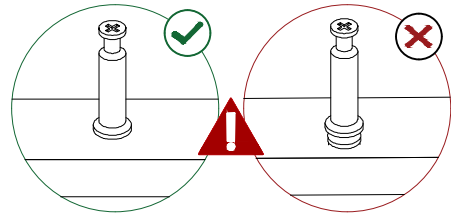
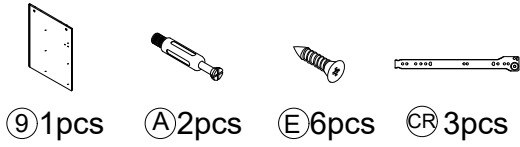


③3pcs



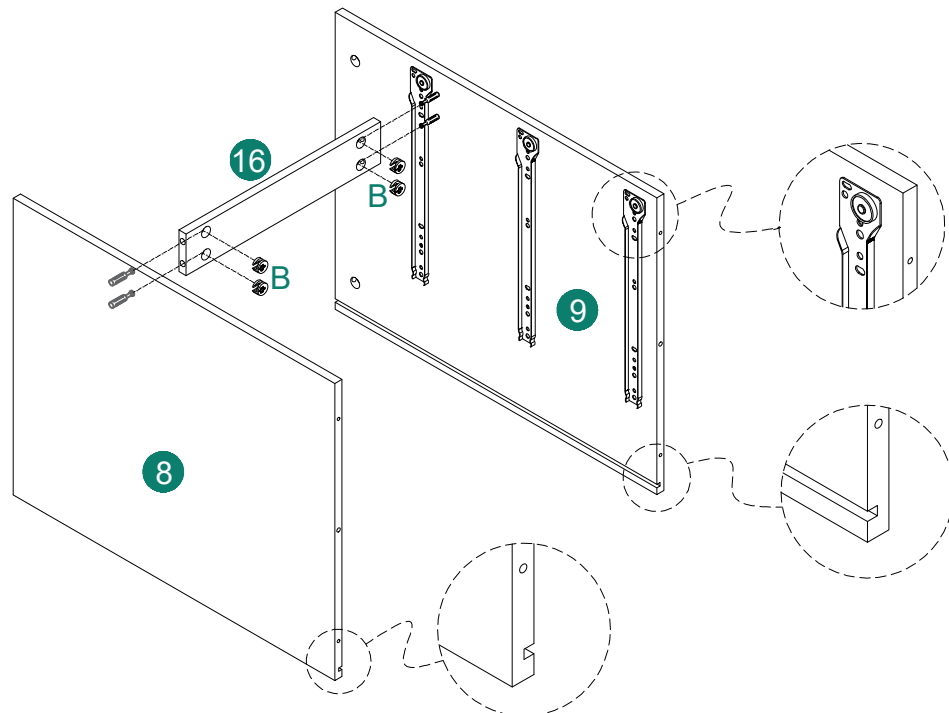
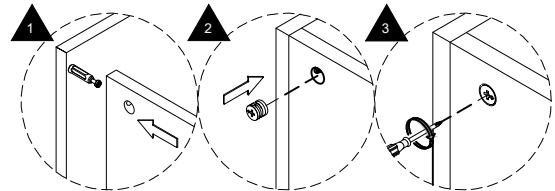
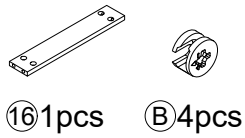
Please pay attention to the direction: These two holes and the rollers are on the same side

7

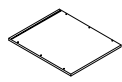


Please pay attention to the direction: These two holes and the rollers are on the same side

8



9



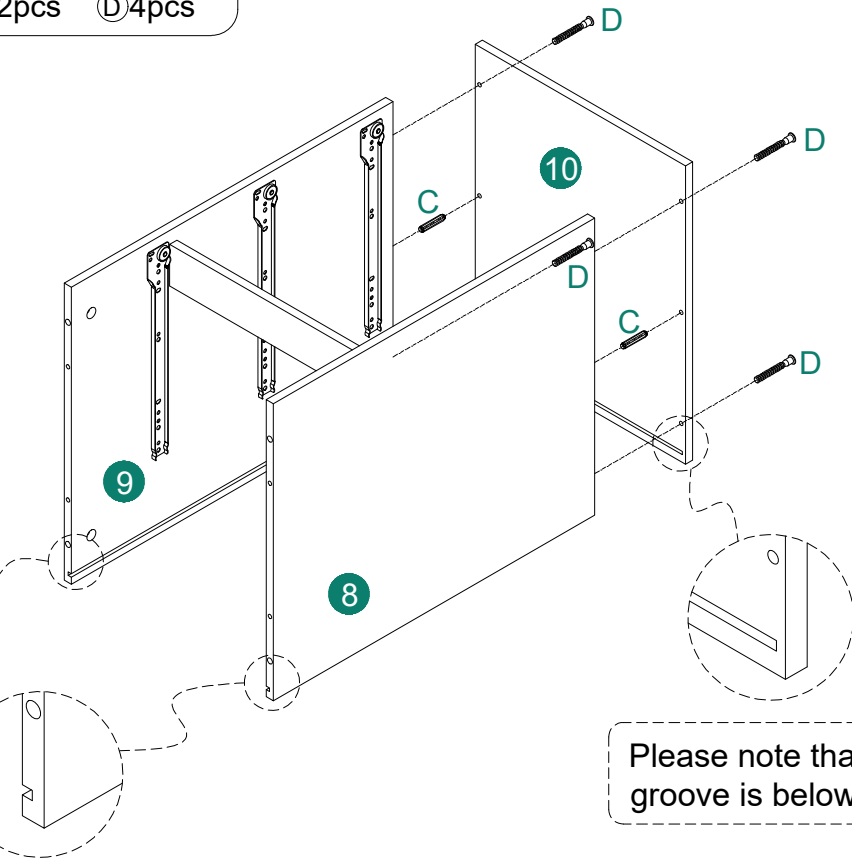
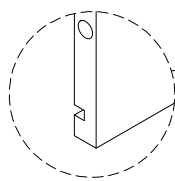
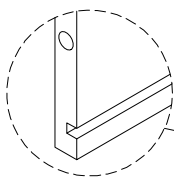
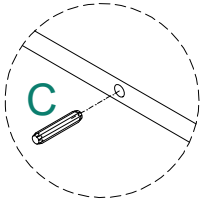
⑩ 1pcs



① C 2pcs



② D 4pcs

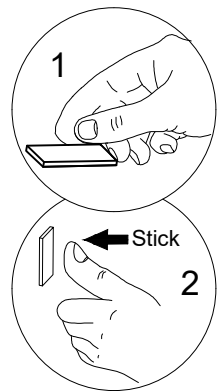
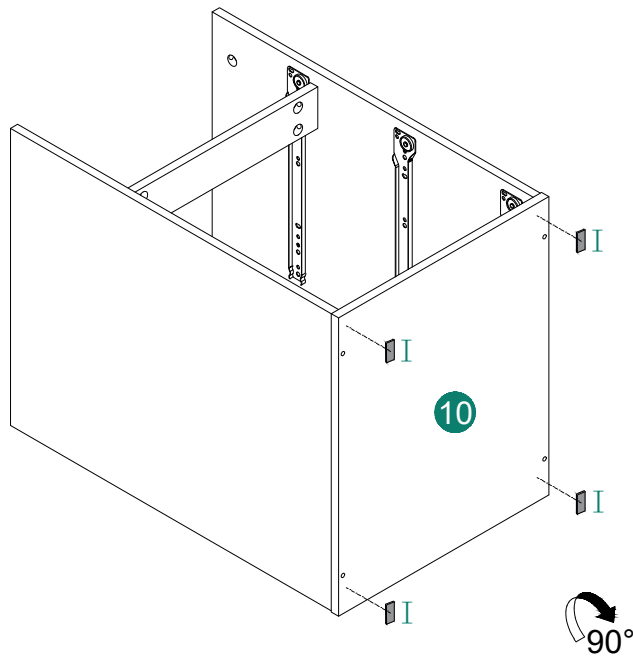


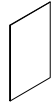
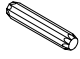
Please note that the groove is below

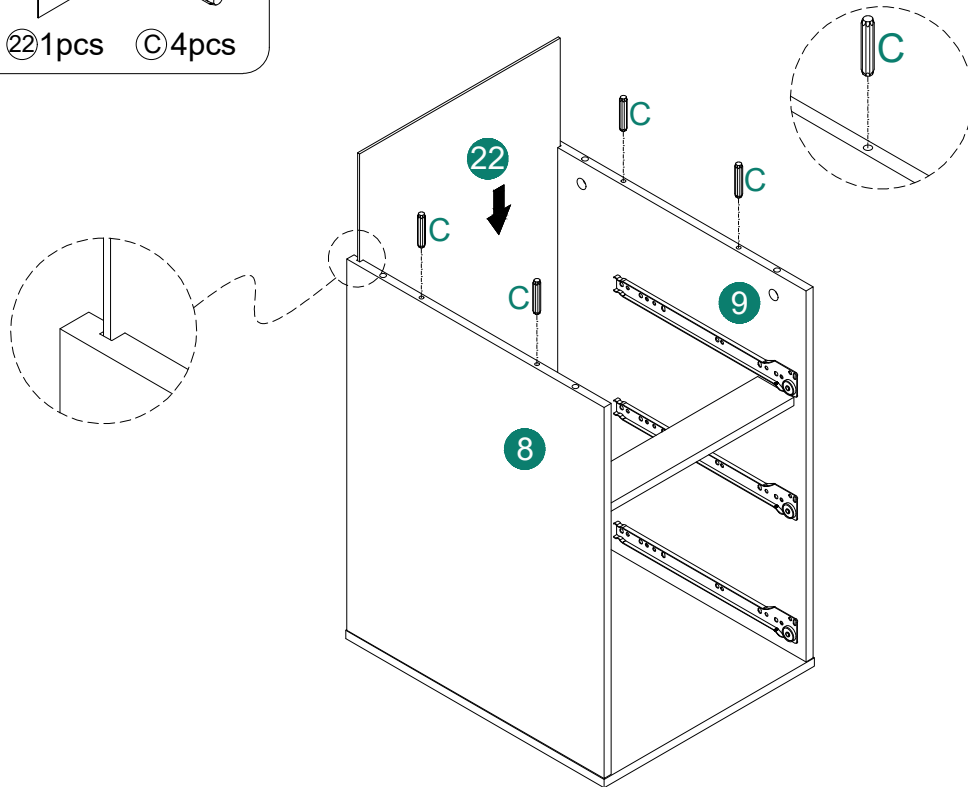
10

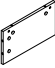
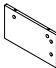
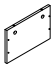




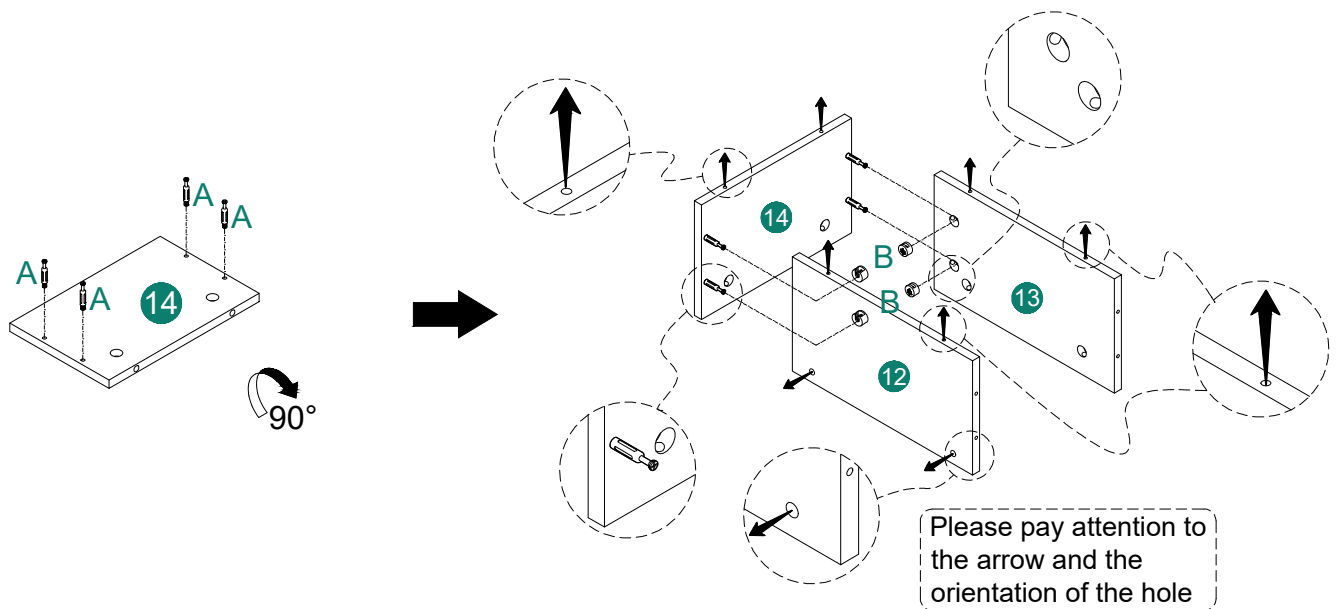
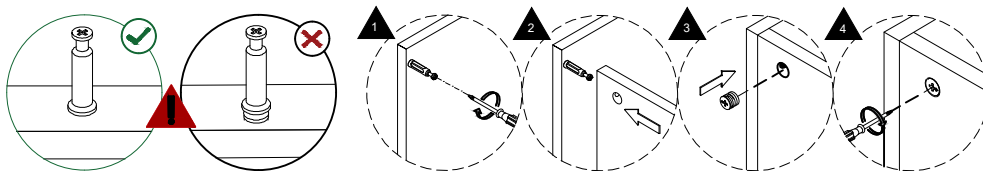
③ I 4pcs



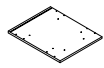
11  
 ②21pcs ③C4pcs



12     
 ①21pcs ②131pcs ③141pcs ④A4pcs ⑤B4pcs



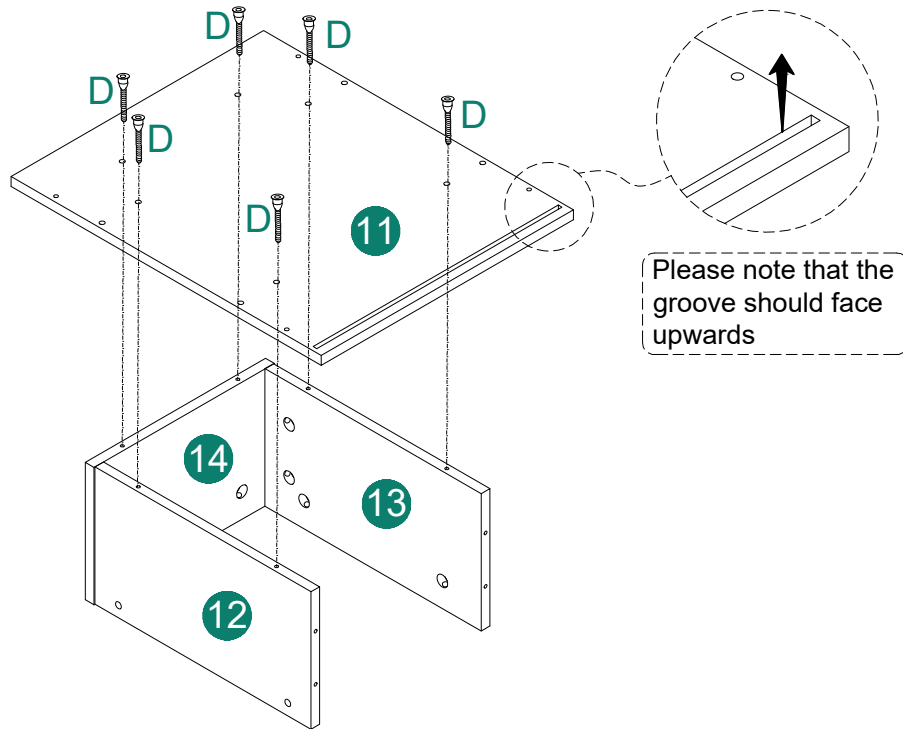
13



①11pcs



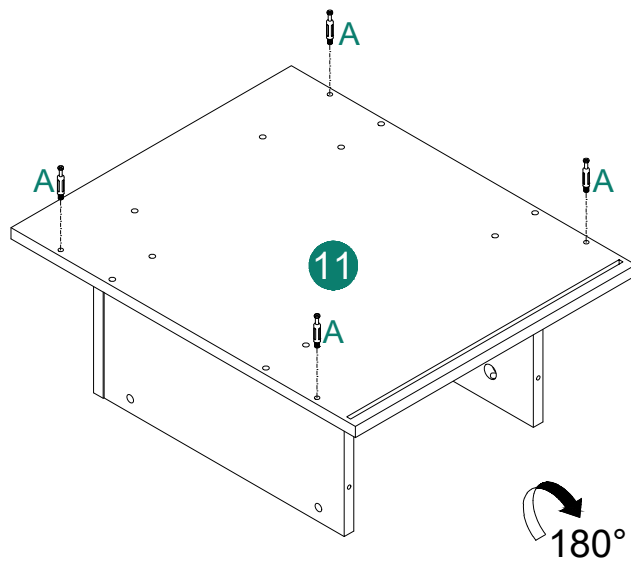
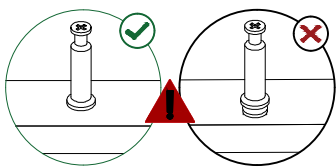
②6pcs



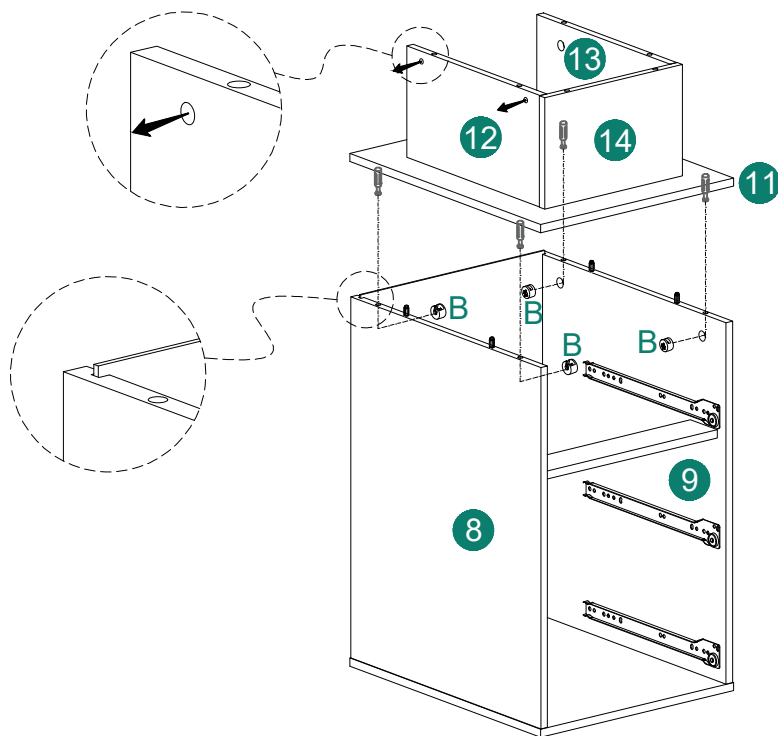
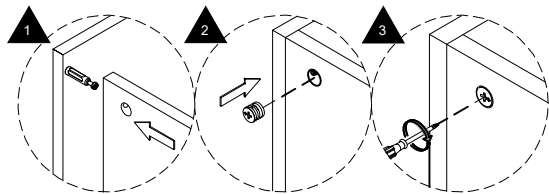
14

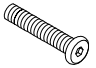


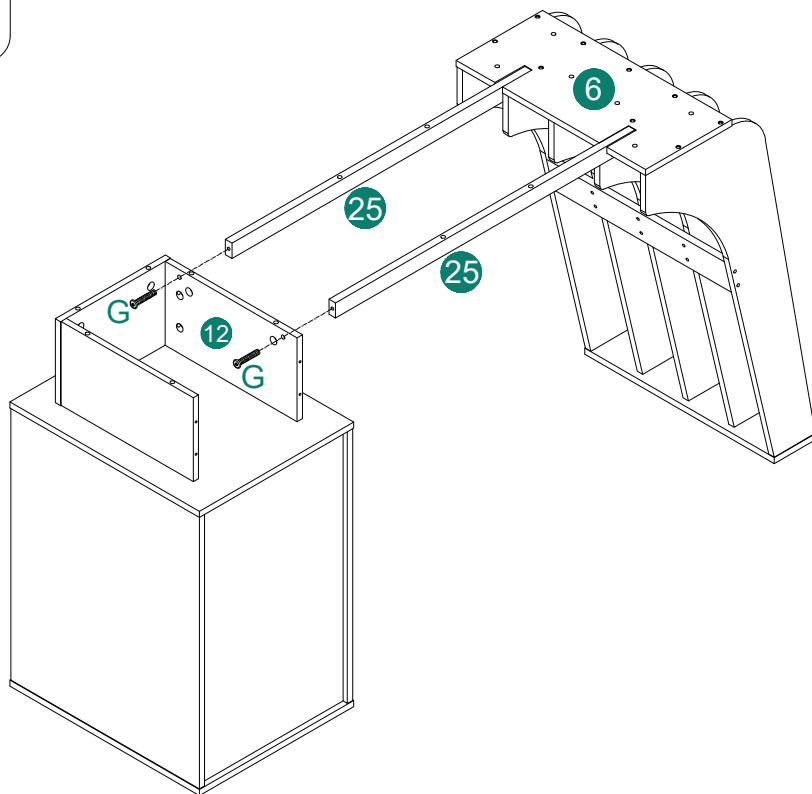
③4pcs

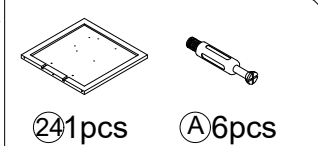


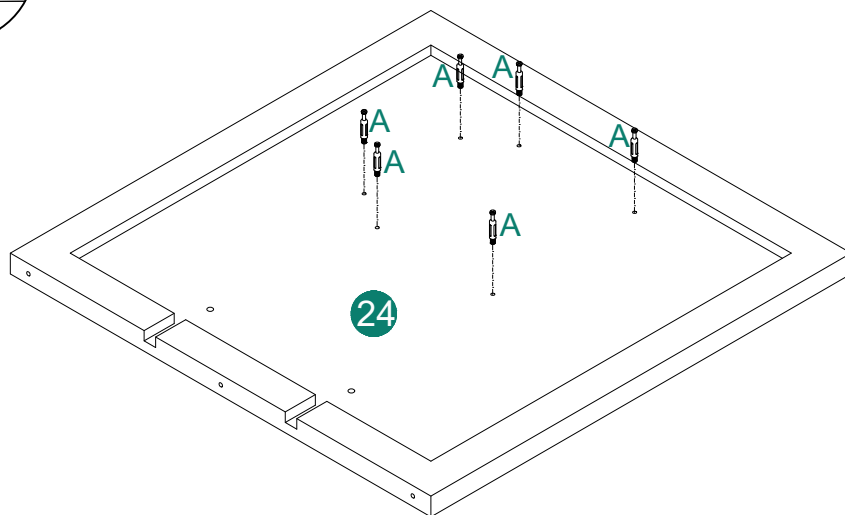
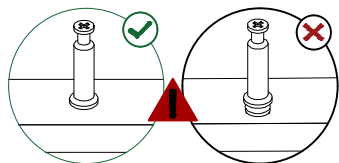
15 
ⓑ 4pcs



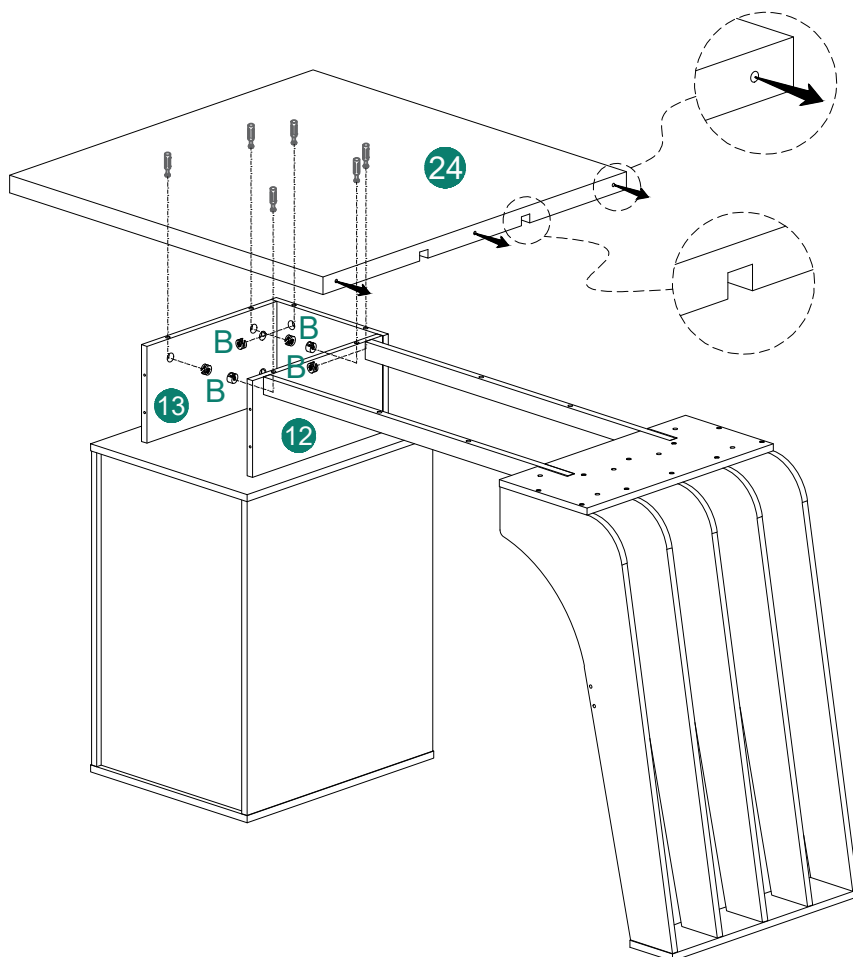
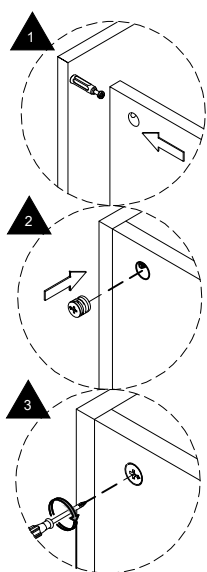
16 
Ⓒ 2pcs



17  **24**1pcs **A**6pcs



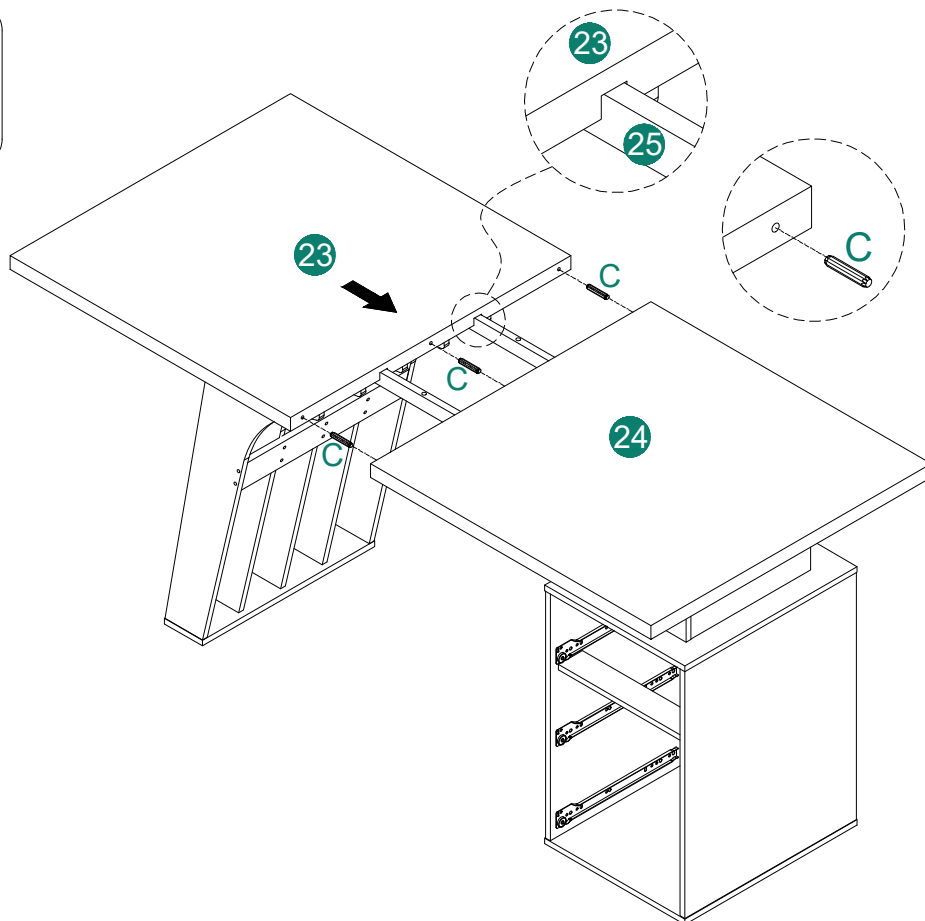
18  **B**6pcs



19



Ⓒ 3pcs



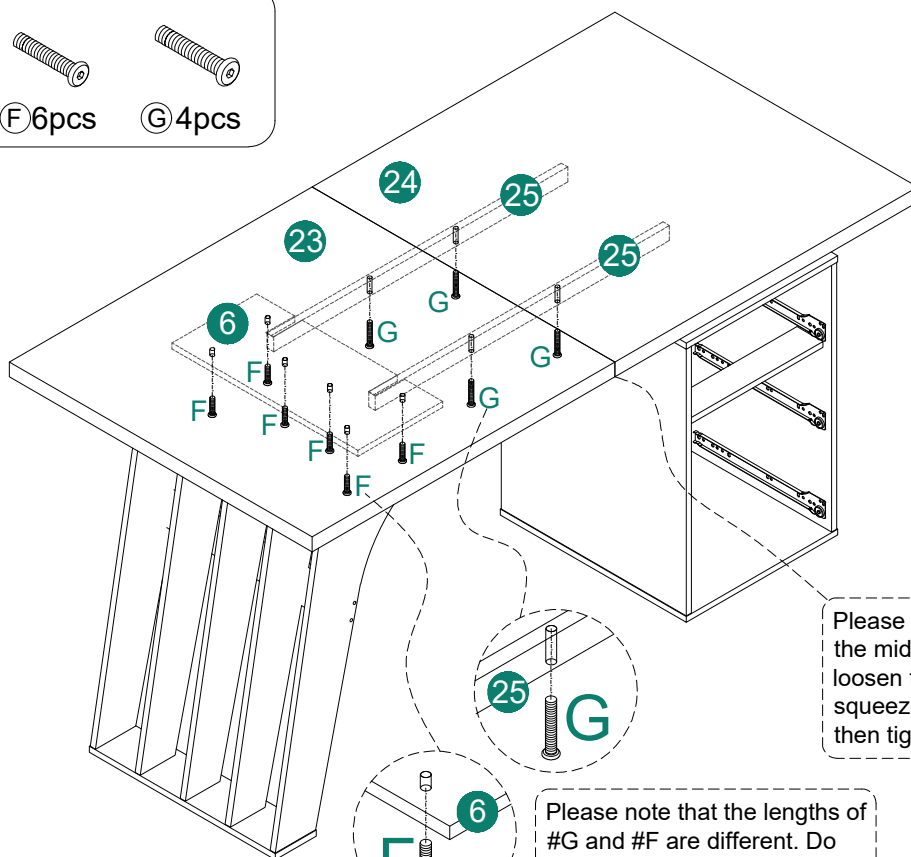
20



Ⓕ 6pcs



Ⓖ 4pcs

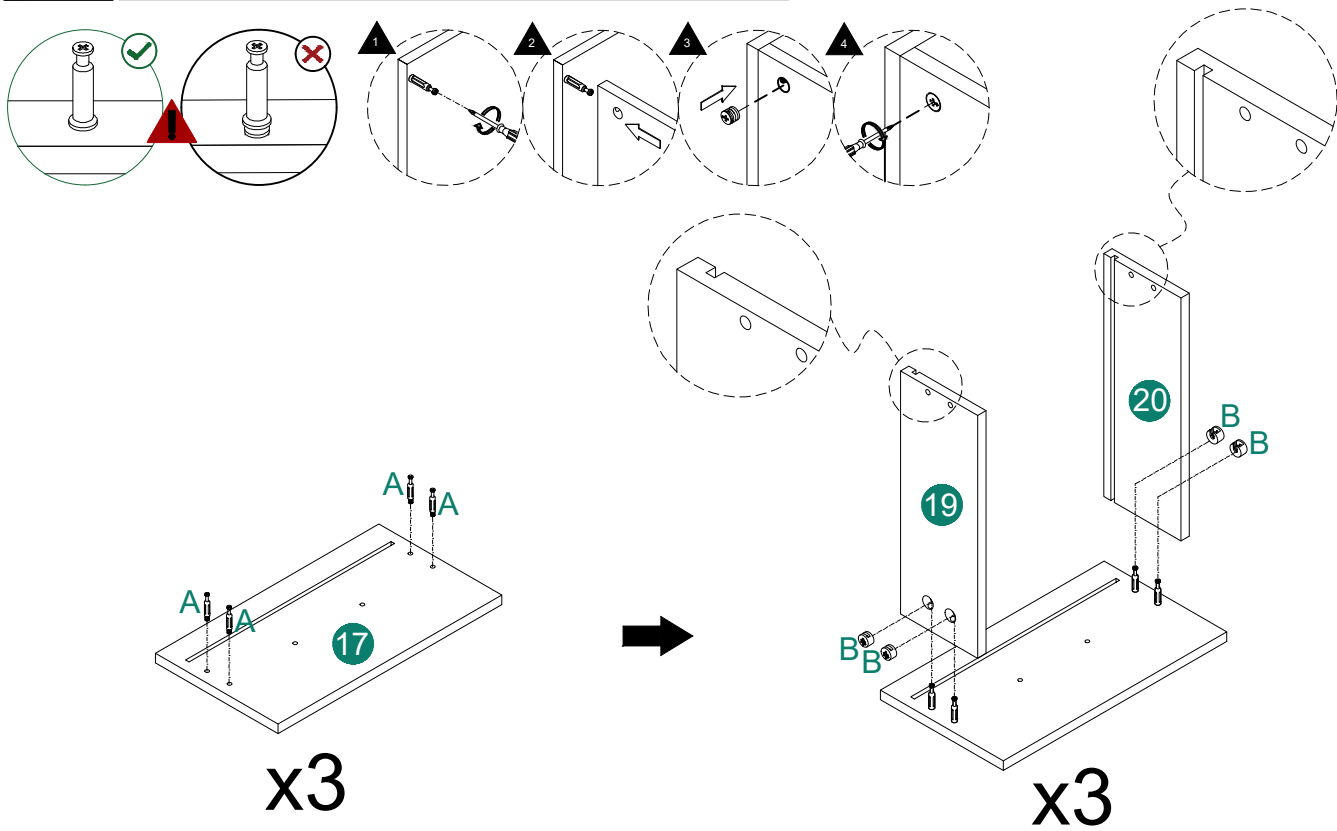


Please note that if the gap in the middle is too wide, you can loosen the screw #23 and squeeze it towards the middle, then tighten the screw.

Please note that the lengths of #G and #F are different. Do not use them wrongly. #G needs to pass through the iron pipe, while #F does not.

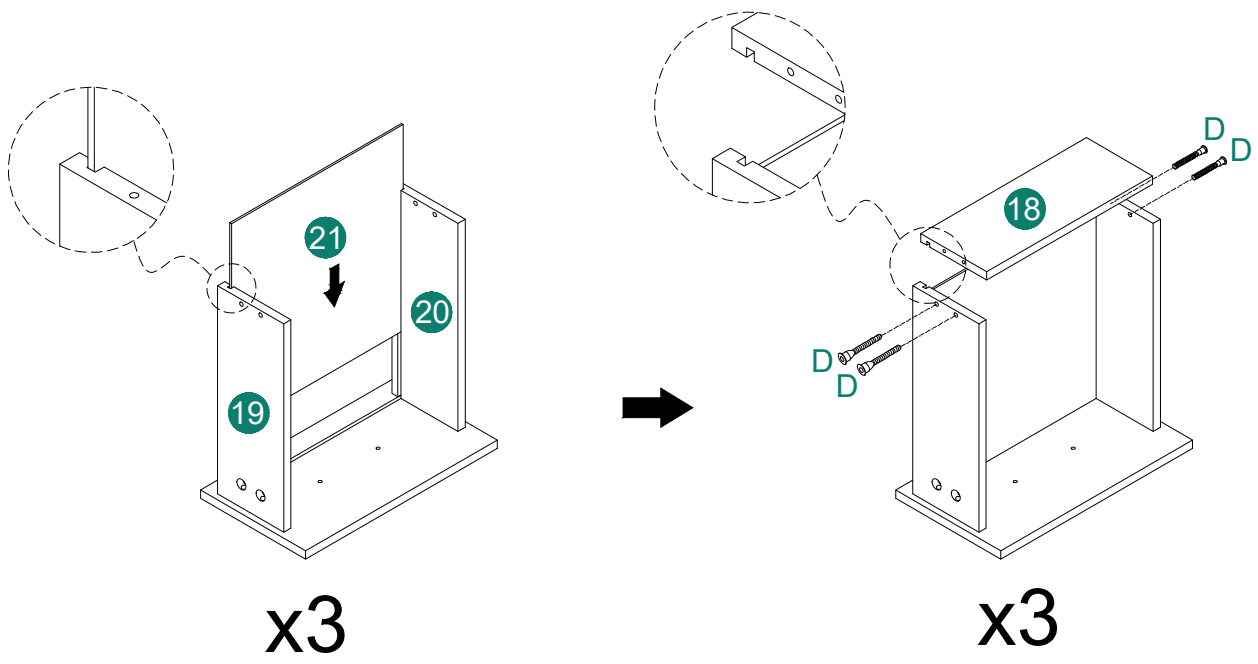
21

⑰ 3pcs ⑲ 3pcs ⑳ 3pcs ㉑ 12pcs ㉒ 12pcs



22

⑱ 3pcs ㉓ 3pcs ㉔ 12pcs



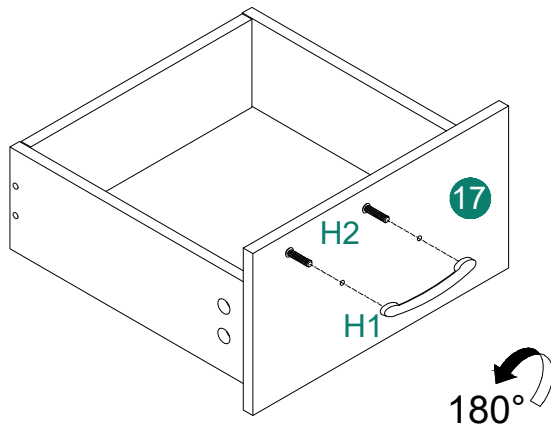
23



H1 3pcs



H2 3pcs



x3

24



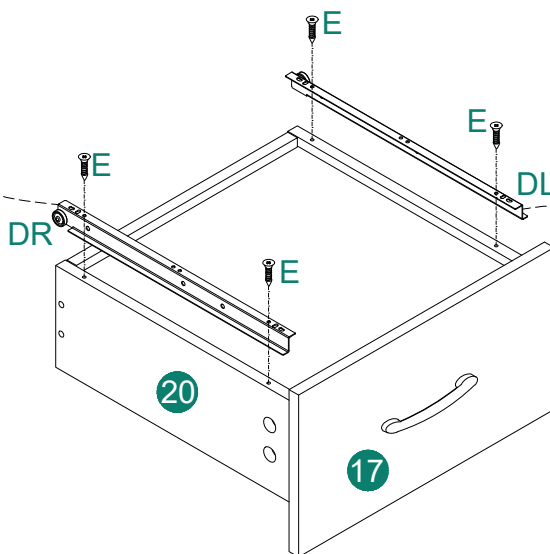
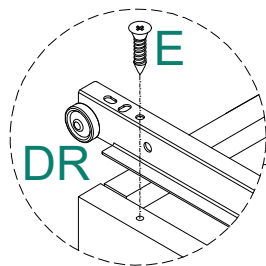
E 12pcs



DL 3pcs

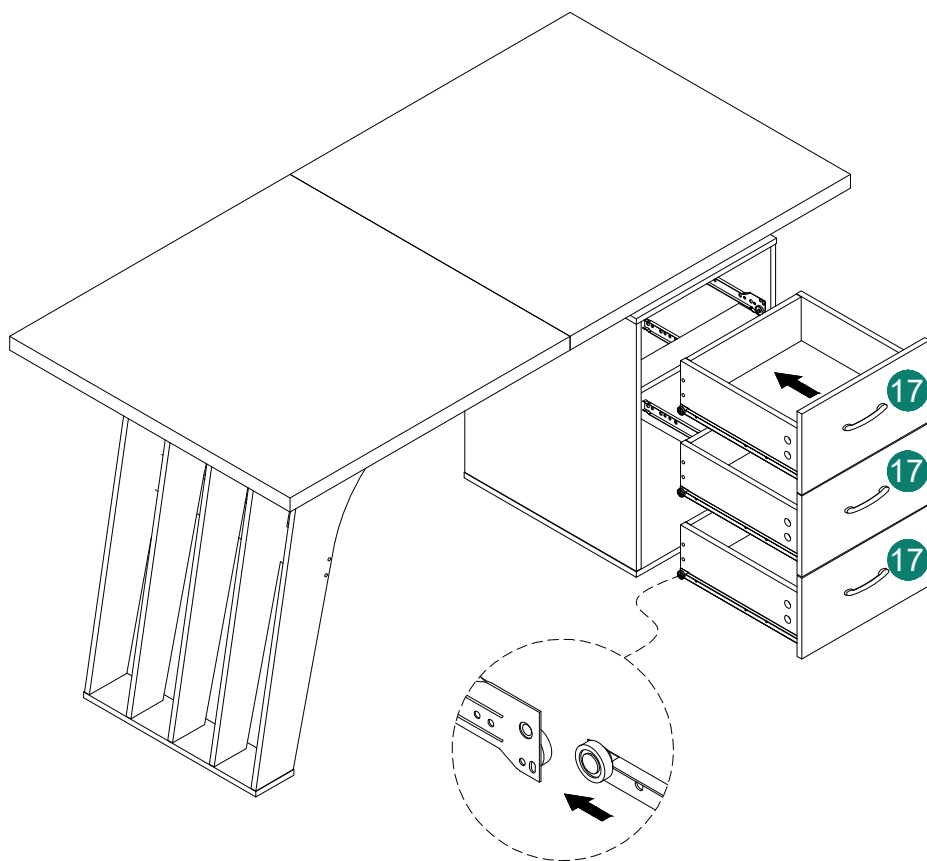


DR 3pcs

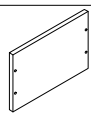


x3

25



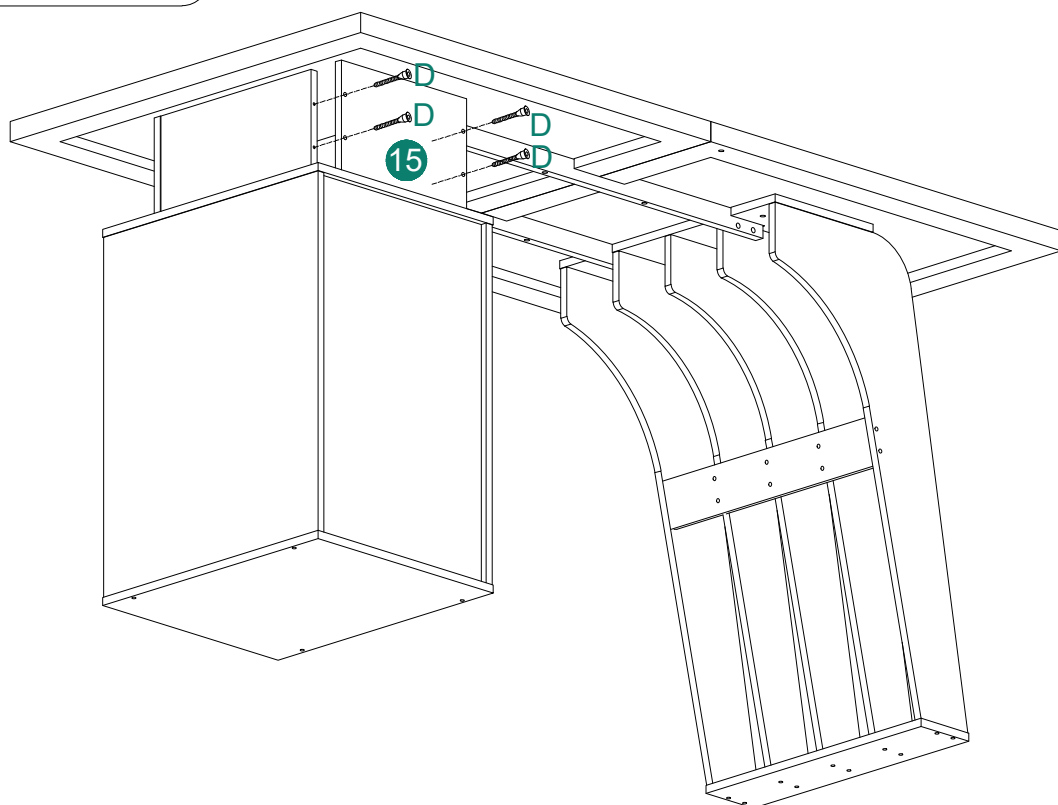
26



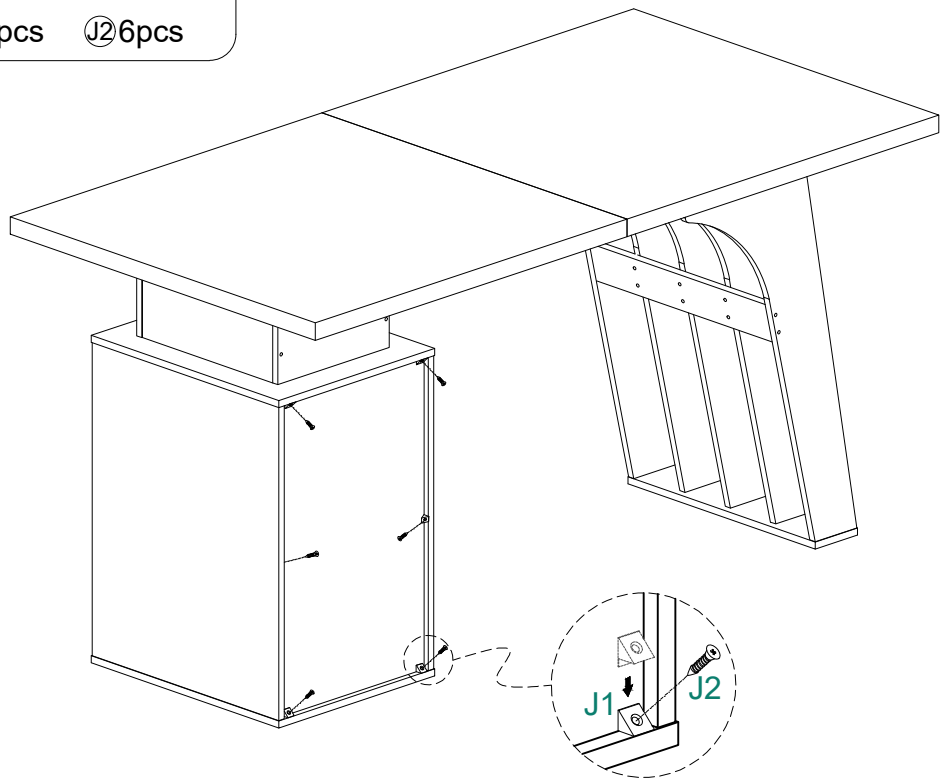
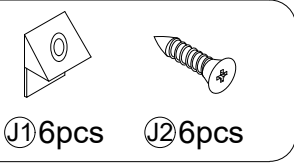
15 1pcs



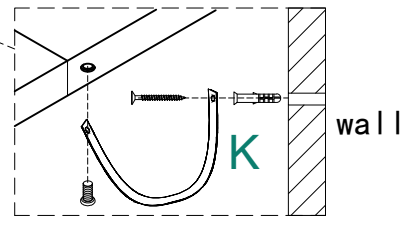
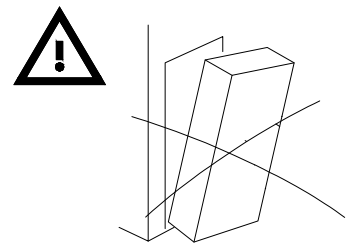
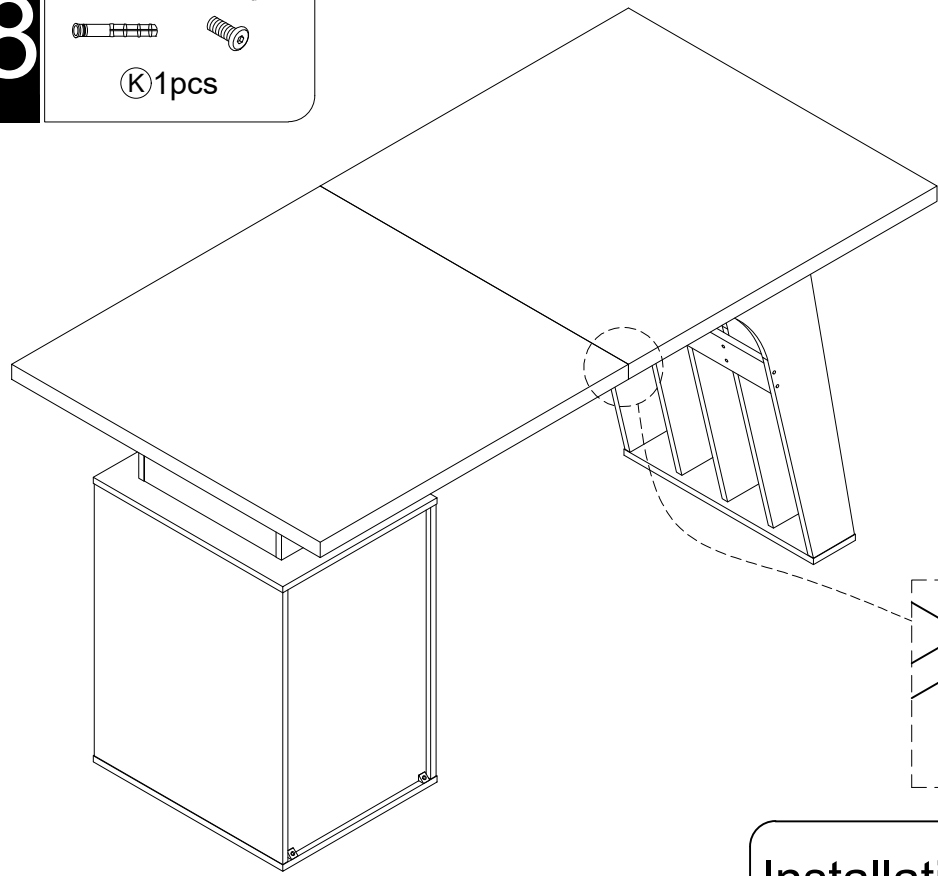
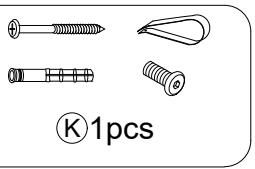
D 4pcs



27



28



Installation Completed