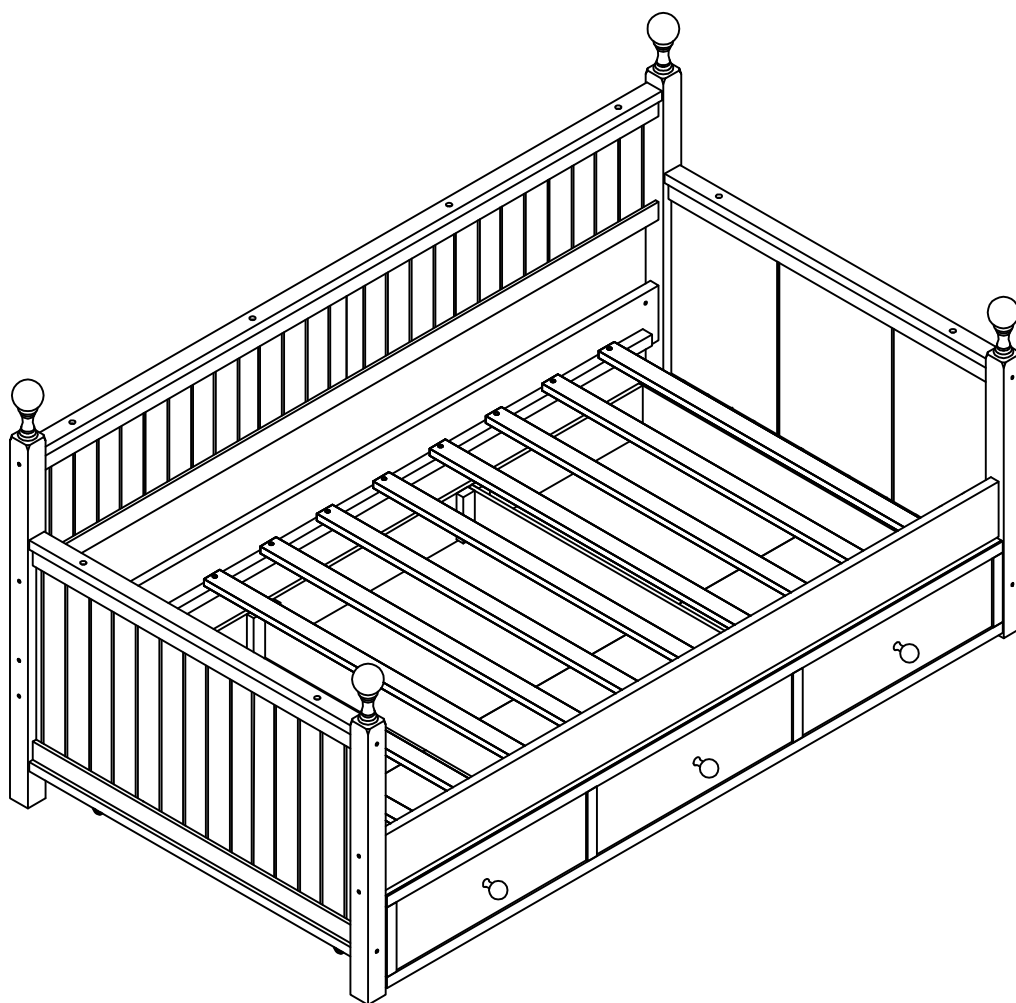
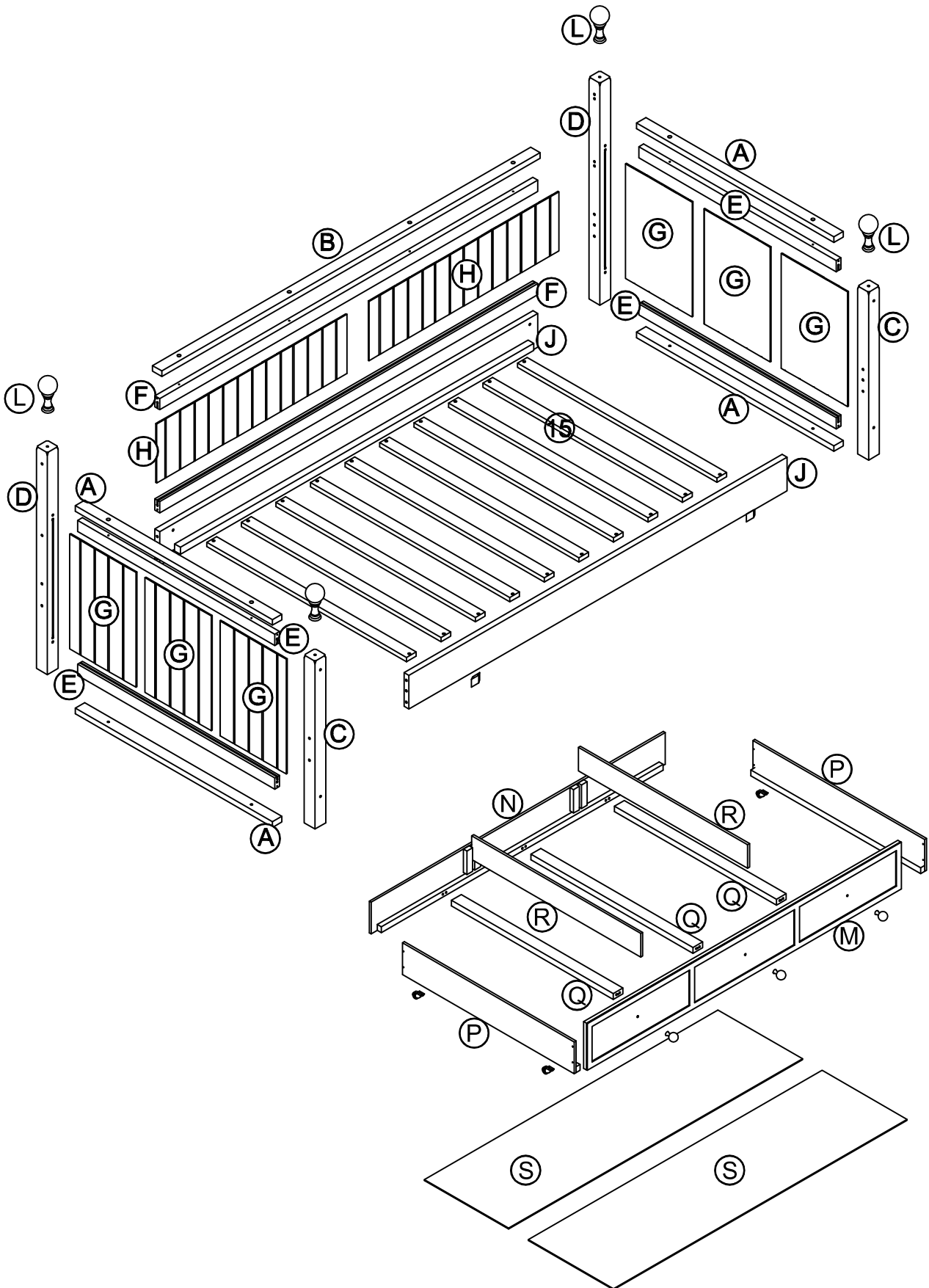


# ASSEMBLY INSTRUCTIONS

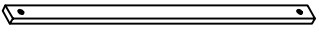
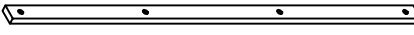
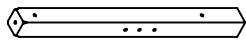
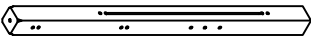
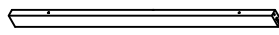
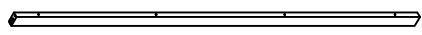
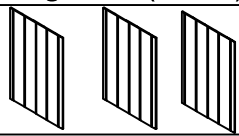
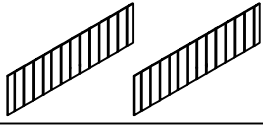

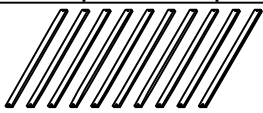
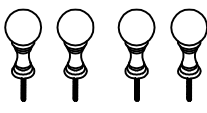
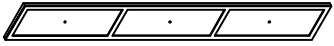

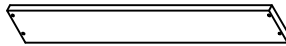
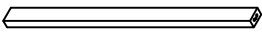

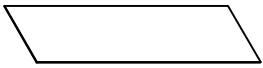
## DAYBED WITH 3 DRAWER




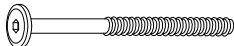
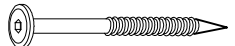











# DETAIL VIEW



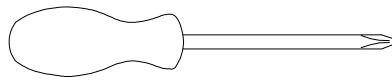
# PART LISTS

<b>A</b>  Side Frame Cap - 4pcs	<b>B</b>  Back Frame Cap - 1pc	<b>C</b>  Front legs (C-C1)-2pcs
<b>D</b>  Back legs HB (D-D1) - 2pcs	<b>E</b>  Side bar - 4pcs	<b>F</b>  Back bar - 2pcs
<b>G</b>  Side panel - 6pcs	<b>H</b>  Back panel - 2pcs	<b>J</b>  Side rail upper -2pcs
<b>15</b>  Slat - 10pcs	<b>L</b>  Apparatus- 4pcs	<b>M</b>  Drawer front - 1pc
<b>N</b>  Drawer back - 1pc	<b>P</b>  Drawer Left/Right - 2pcs	<b>Q</b>  Drawer Support Bar- 3pcs
<b>R</b>  Center Drawer Panel - 2pcs	<b>S</b>  Bottom Drawer Panel - 2pcs	

# HARDWARE LISTS

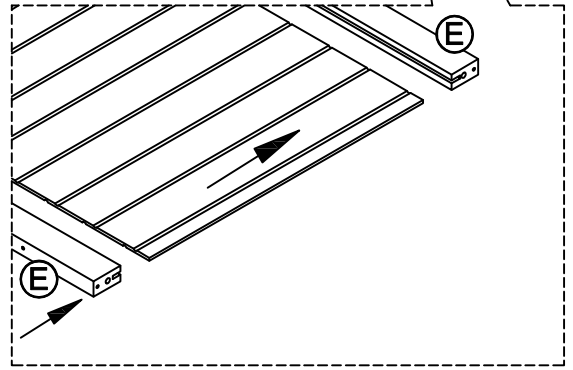
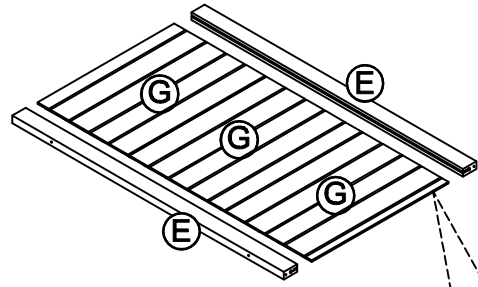
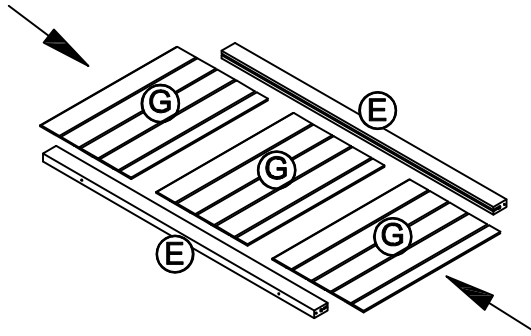
<b>1</b>  Ø10 x 30 mm Wood dower 16pcs	<b>2</b>  Ø1/4" x 100 mm Hex-Head bolts (8pcs)	<b>3</b>  Ø1/4" x 100 mm Hex-Head wood Screws (12pcs)
<b>4</b>  (Ø15)1/4" x 50 mm Hex-Head wood screw (12pcs)	<b>5</b>  Ø1/4" x 15 mm(9.5mm) Horizontal-Hole nut 8pcs	<b>6</b>  #4*30mm Wood Screw (54pcs)
<b>7</b>  Wheels Ø26 ( 4pcs )	<b>8</b>  Ø5/32" x 20mm Philip-Head bolt ( 3pcs )	<b>9</b>  Ø30 mm Wood Handle 3pcs
<b>10</b>  #3.5*15mm Wood Screws (8pcs)	<b>11</b>  (1/4")4.5*58mm Allen Key (1pc)	<b>12</b>  Ø8 x 30 mm Wood dower 12pcs
	<b>14</b>  Wood block 2pcs	<b>13</b>  Ø5/16 x 60 mm Headless bolt 4pcs

## ASSEMBLY TOOLS REQUIRED ( NOT INCLUDED )





**PLEASE BE CAREFUL DO NOT DAMAGE THE HOLE POSITION WHEN YOU USE POWER TOOLS !**

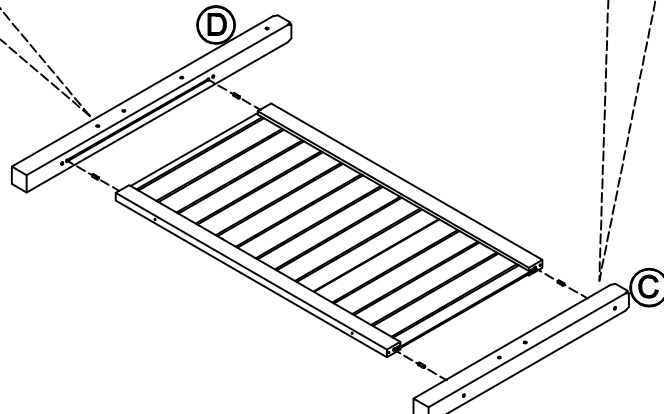
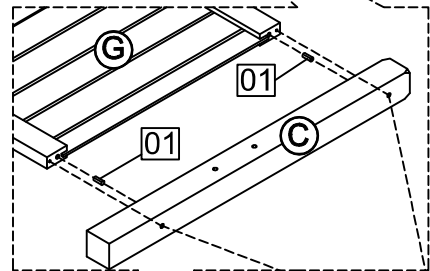
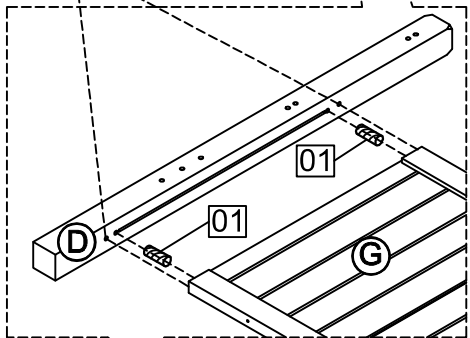
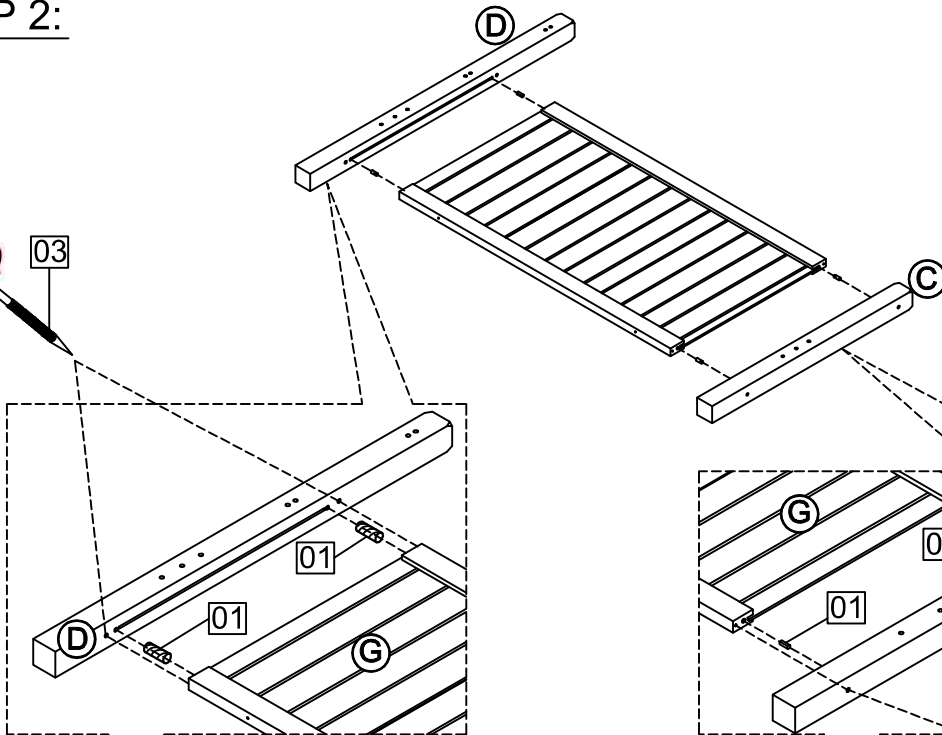
**STEP 1:**



**STEP 2:**

01		03	
8PCS		8PCS	

11



03

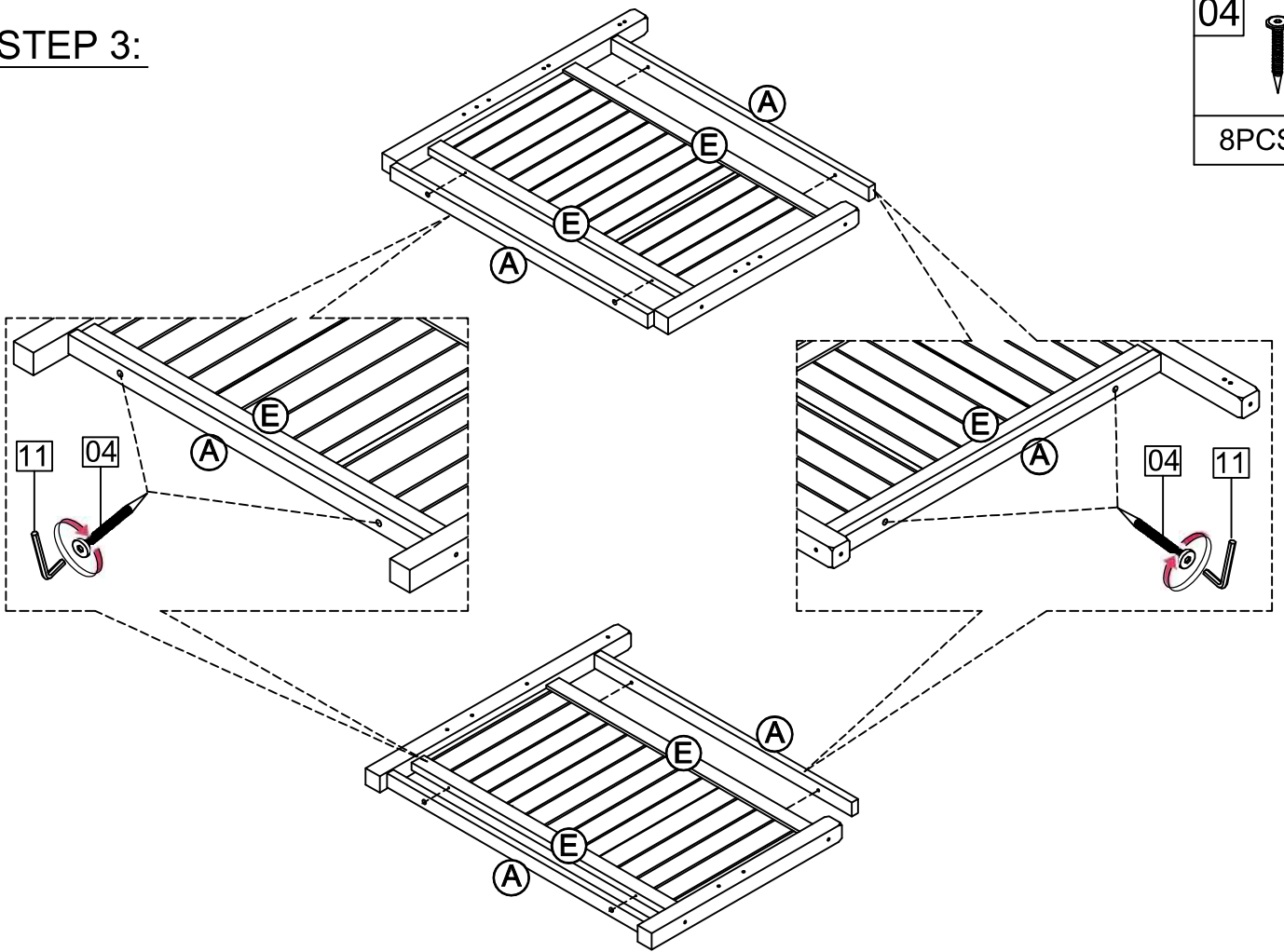
11

**STEP 3:**

04



8PCS

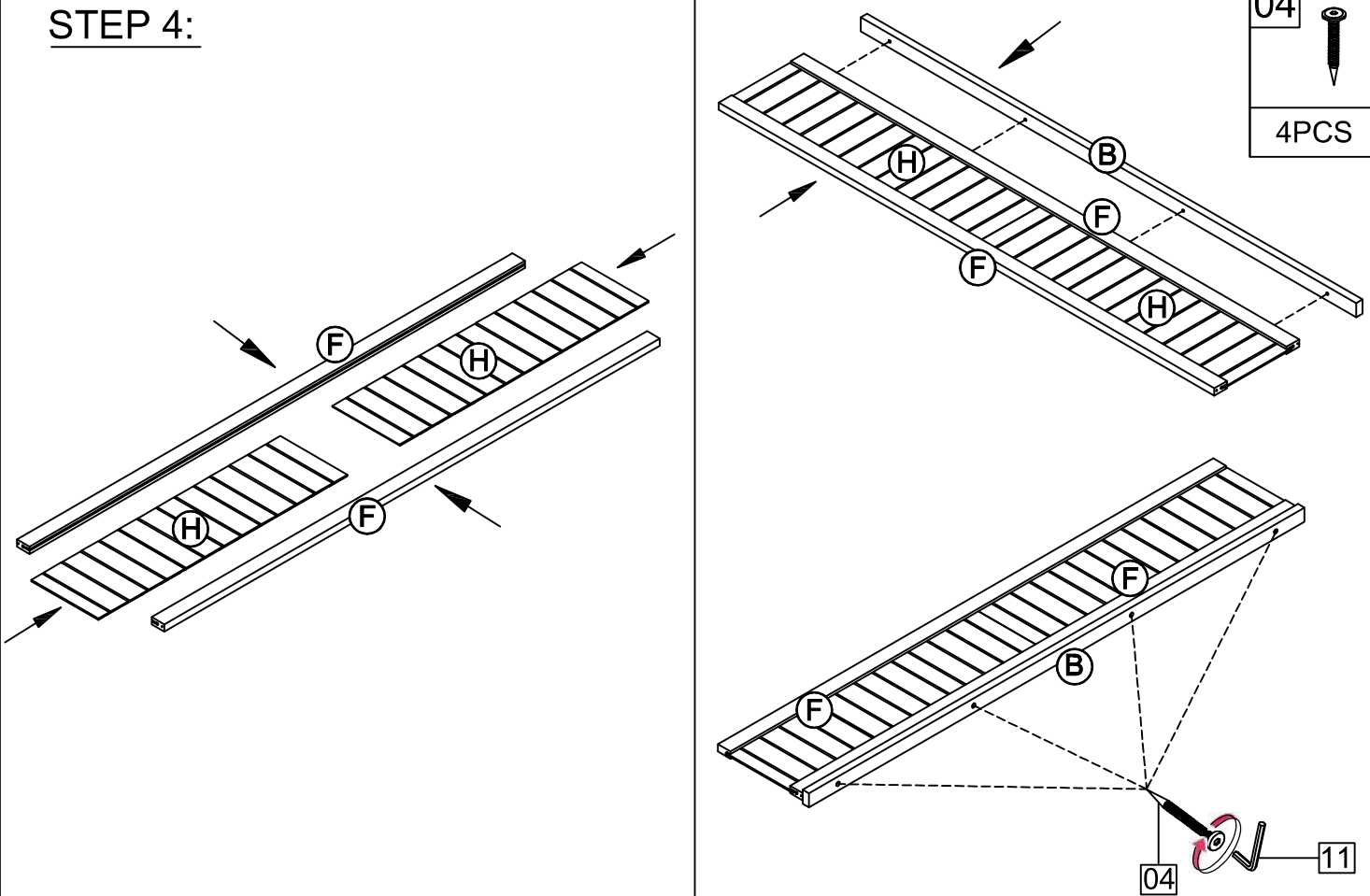


**STEP 4:**







04

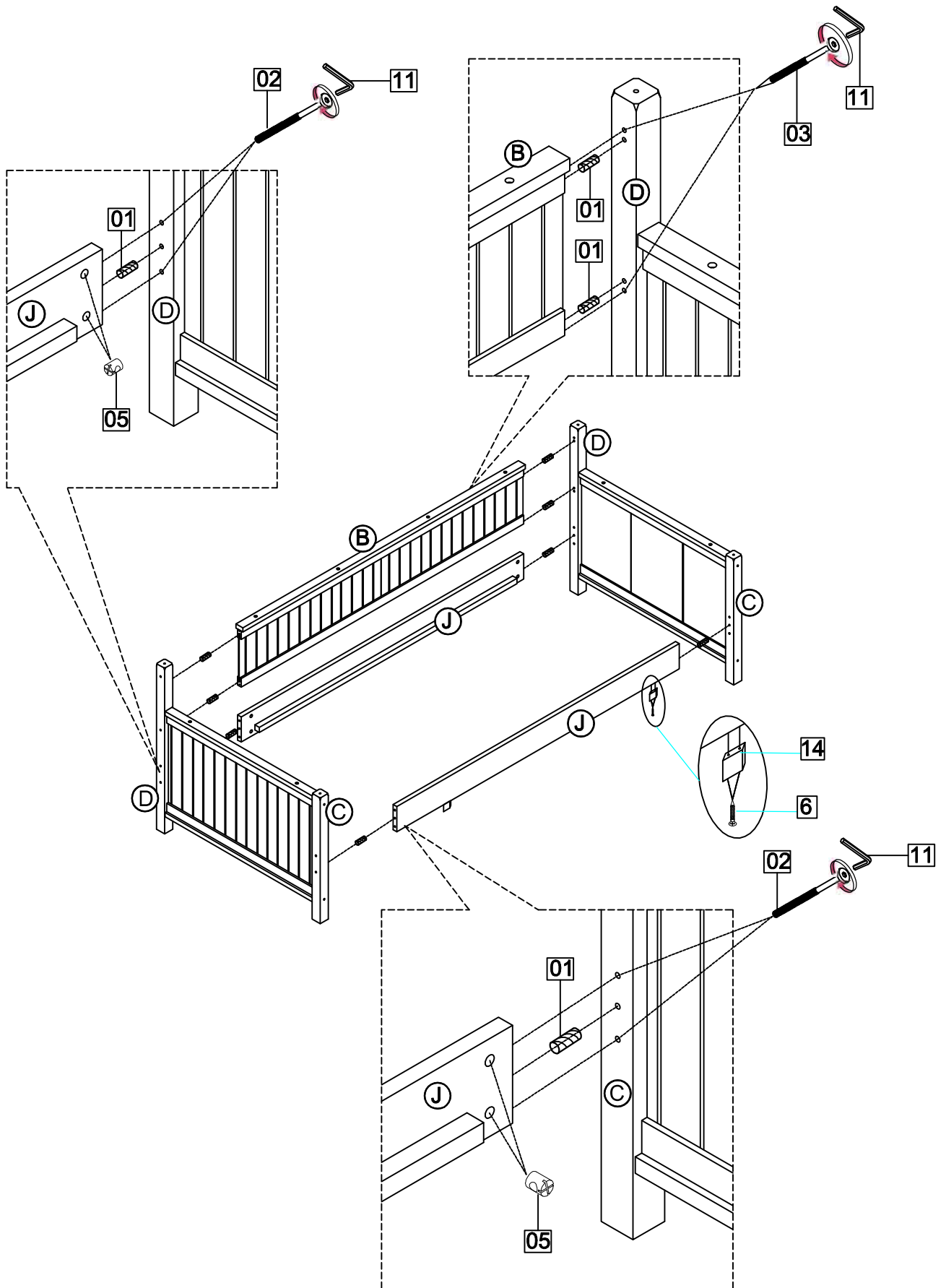


4PCS





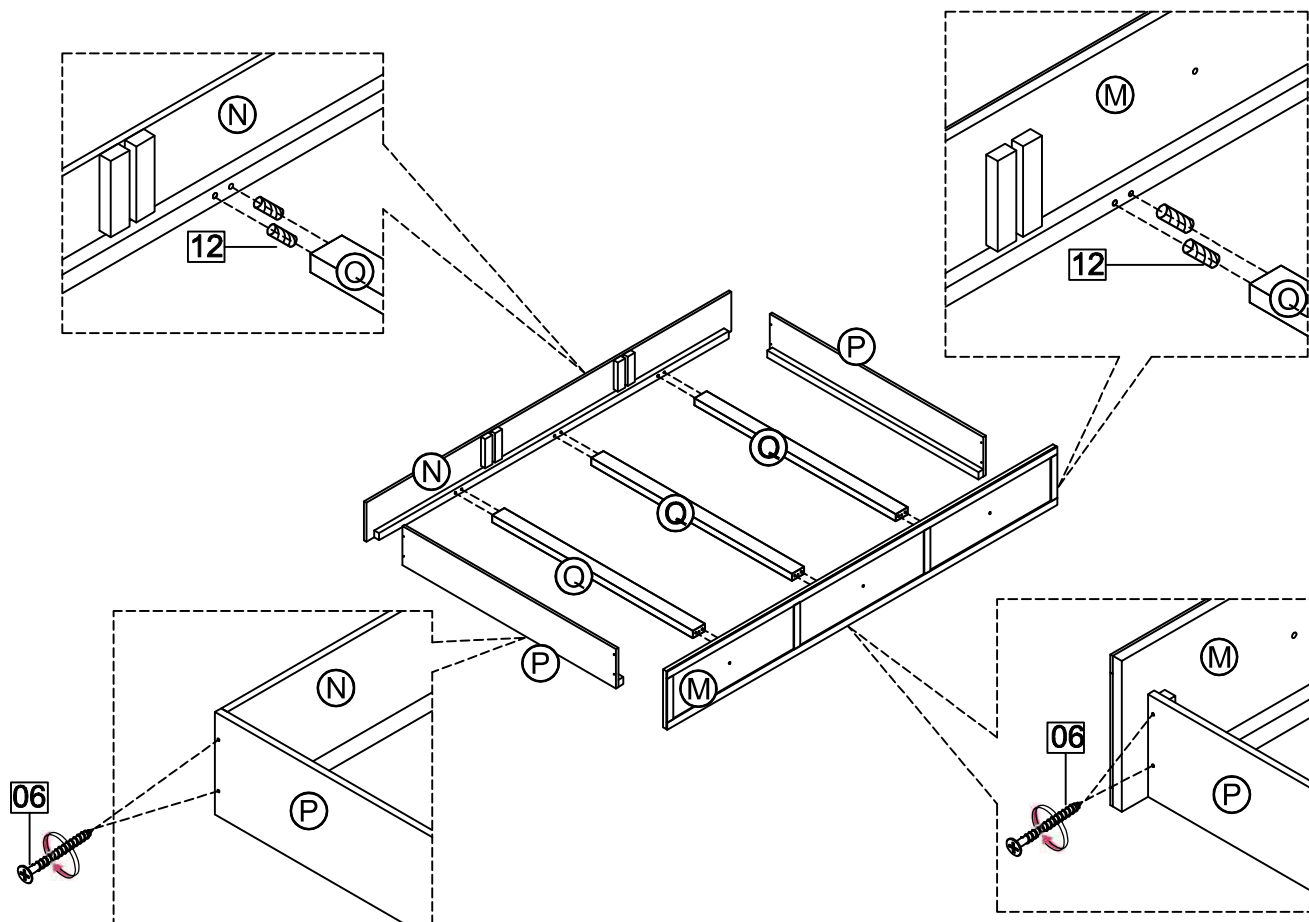
**STEP 5:**

14	06	05	01	02	03
					
2PCS	4PCS	8PCS	10PCS	8PCS	4PCS




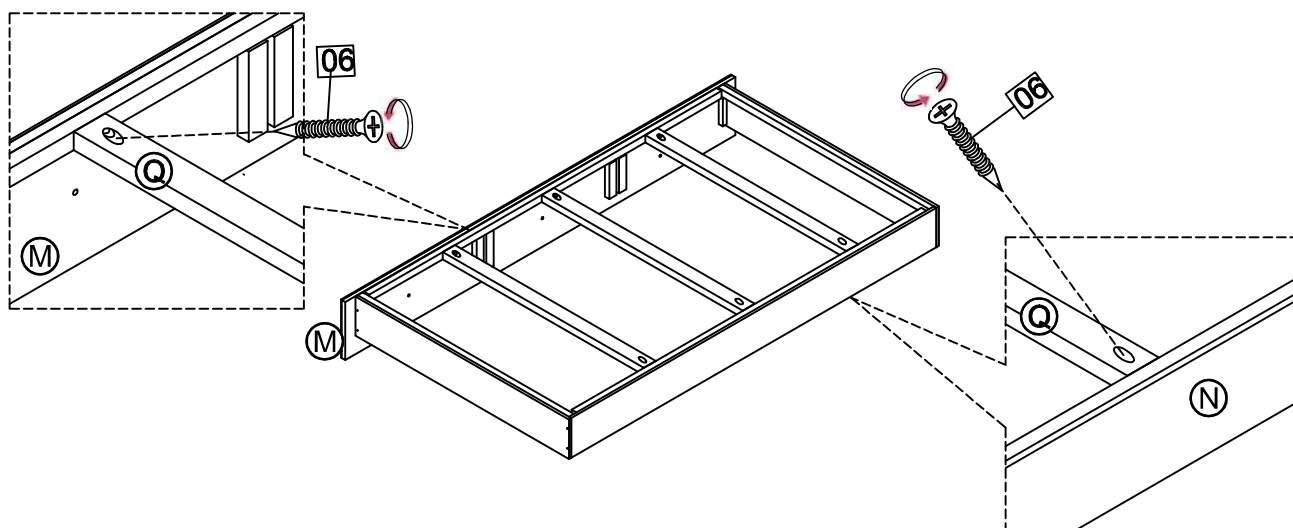
**STEP 6:**

12		06	
12PCS		8PCS	





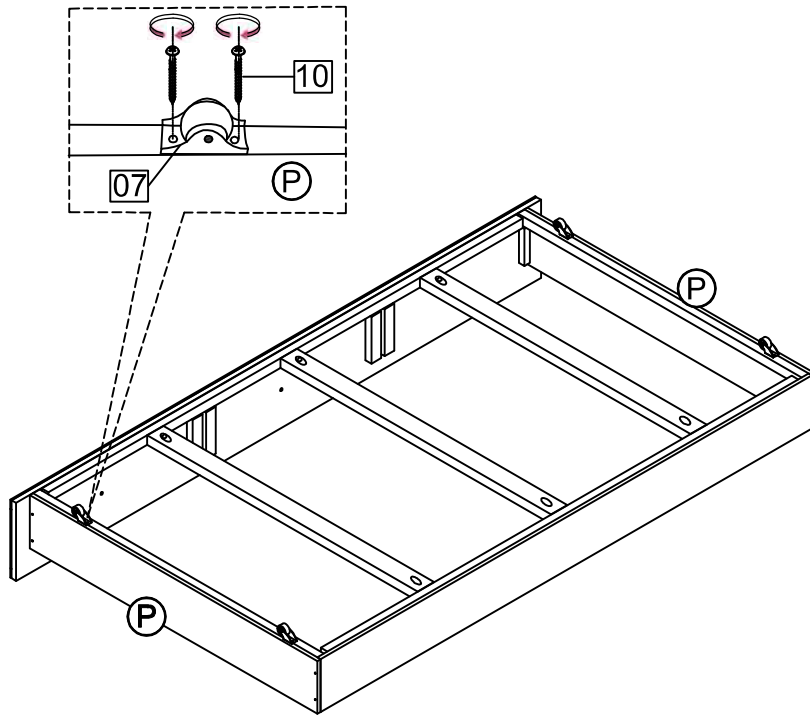
**STEP 7:**

06	
6PCS	

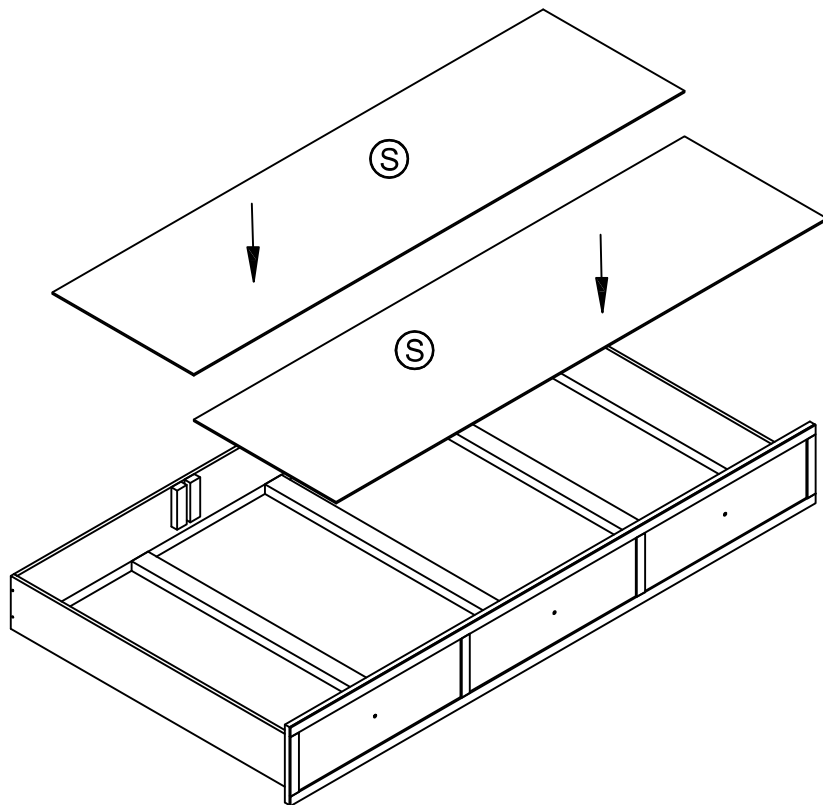


STEP 8:

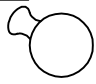

07	10
	
4PCS	8PCS

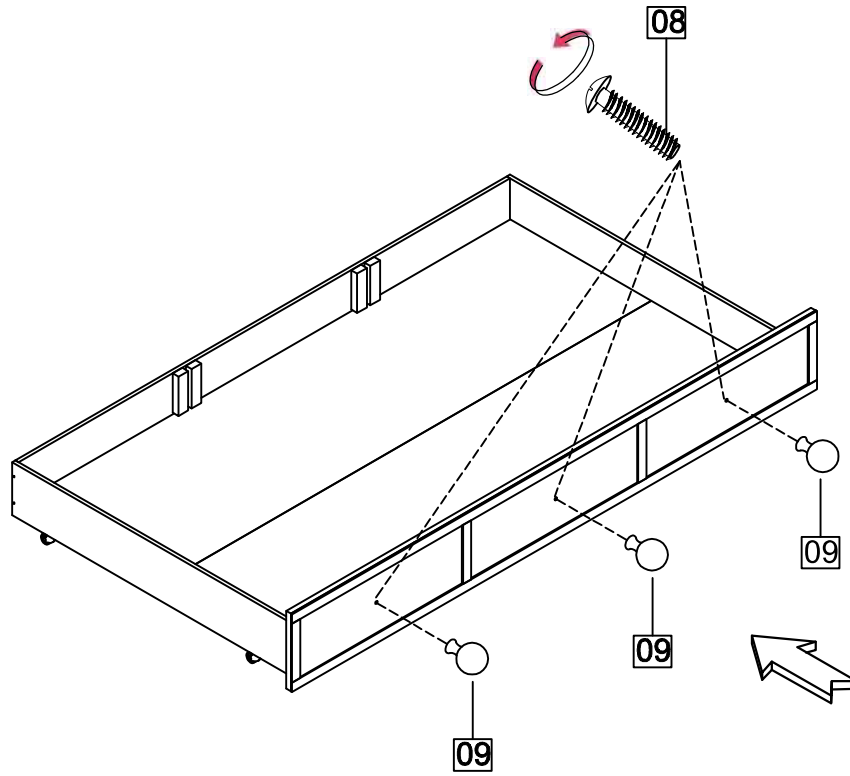


STEP 9:

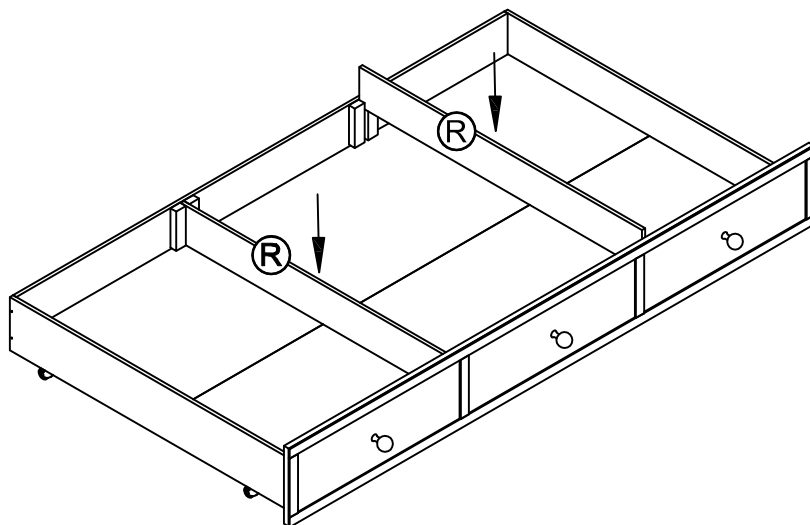


STEP 10:

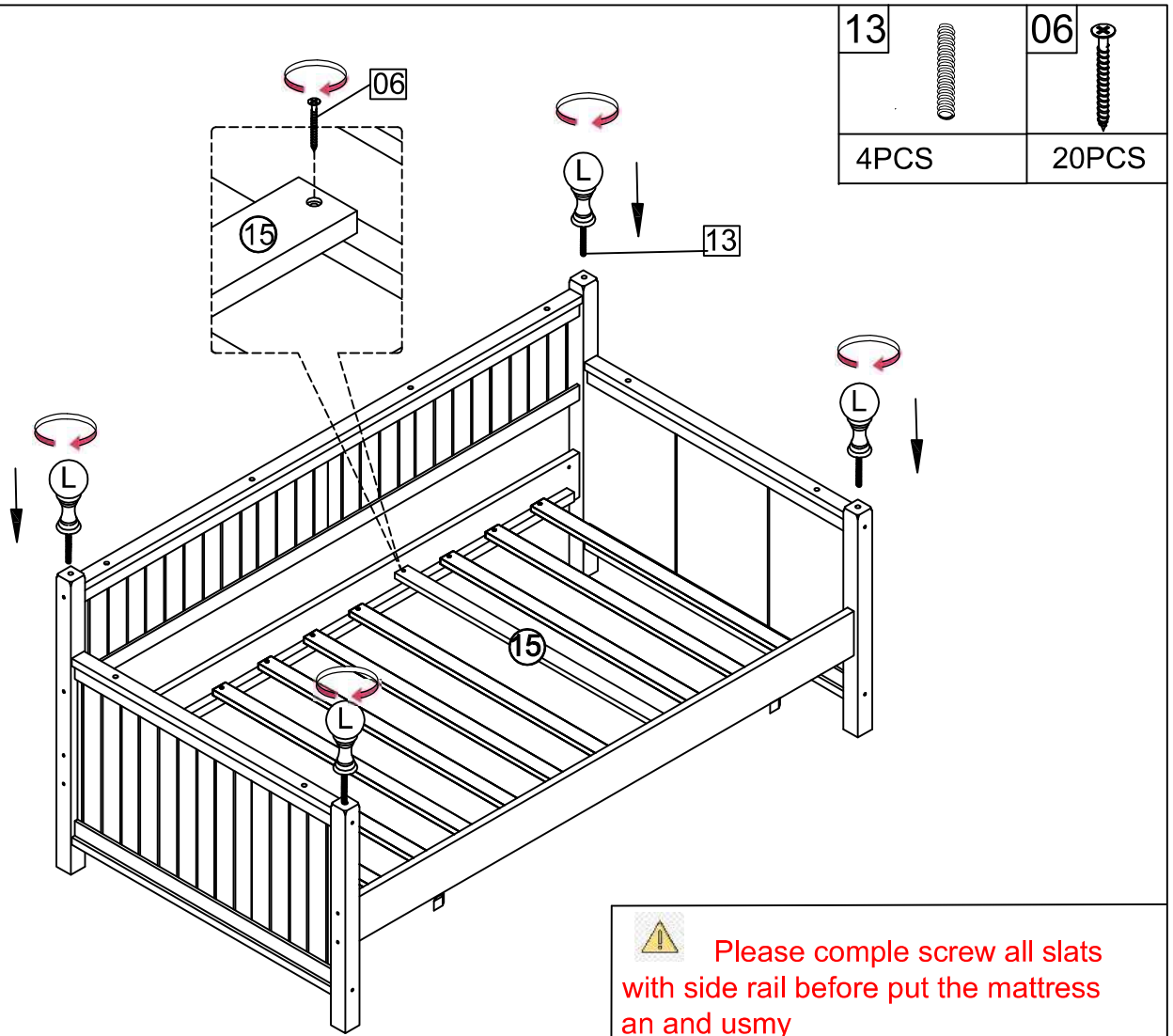
09	08
	
3PCS	3PCS



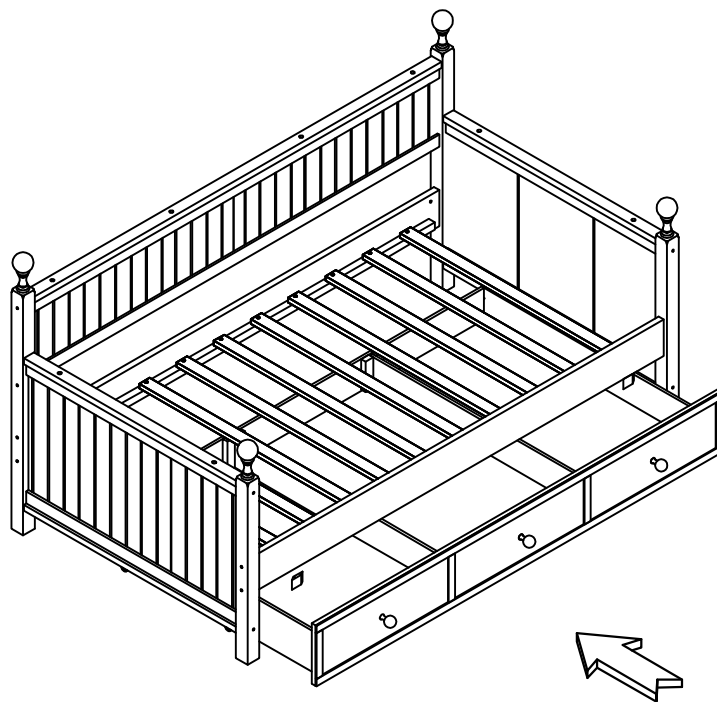
STEP 11:



**STEP 12:**



**STEP 13:**



**Assembly Complete**