

**Set-up Instructions for
Cabinets and Option-Desk**



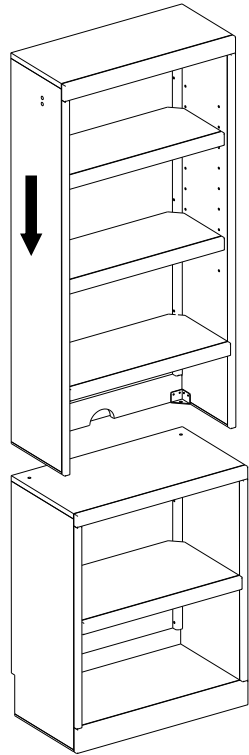
roomandloft

Thank you so much for your purchase!!!

We want to provide you with the best and fastest service possible, so if you need a replacement for a damaged or missing part, or if you have a question...

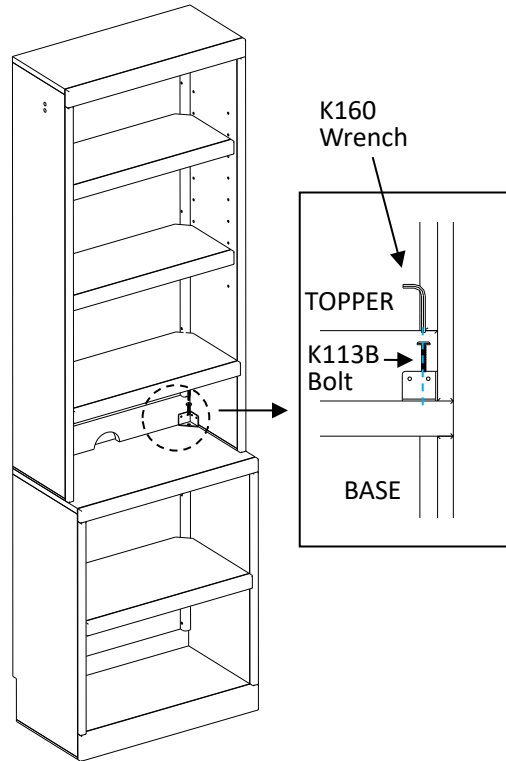
Please Call Us at 714-455-7446 for Prompt Service.

Connecting the Pier Topper to the Bookcase Base, and the assembled pier to the Bed Case.



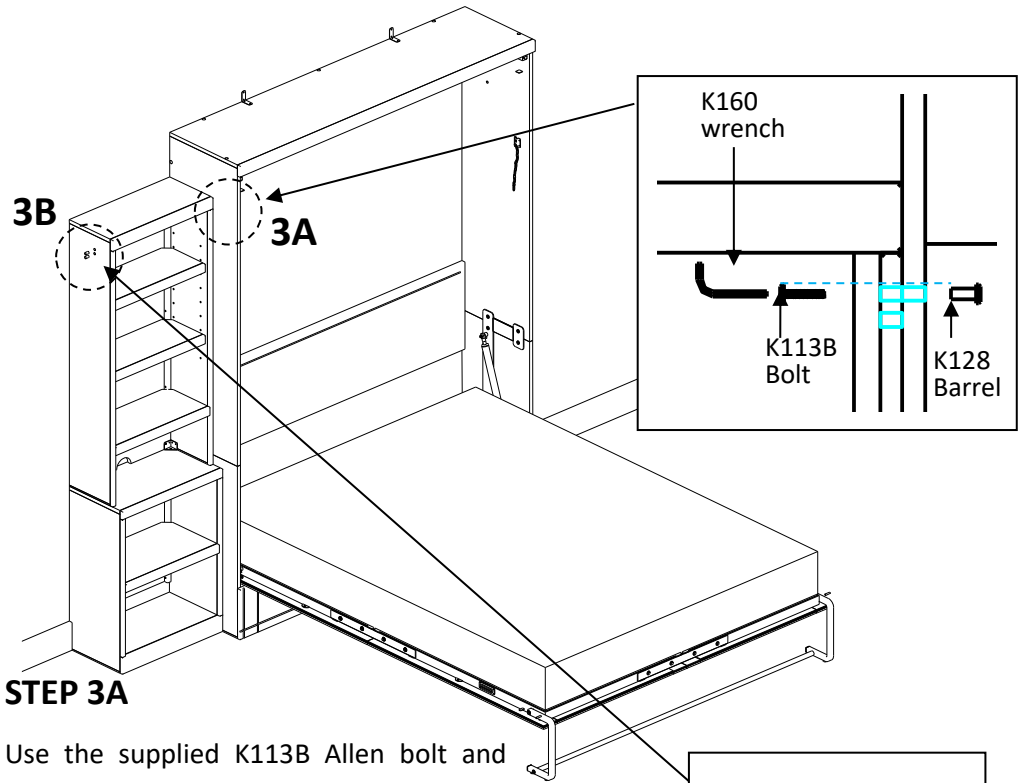
STEP 1

Carefully place the pier topper onto the Bookcase Base, flush on the sides and back.



STEP 2

Use the supplied K113B Allen bolt to connect through the topper bracket and desk top, securing tightly.

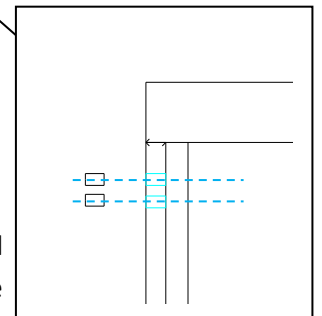


STEP 3A

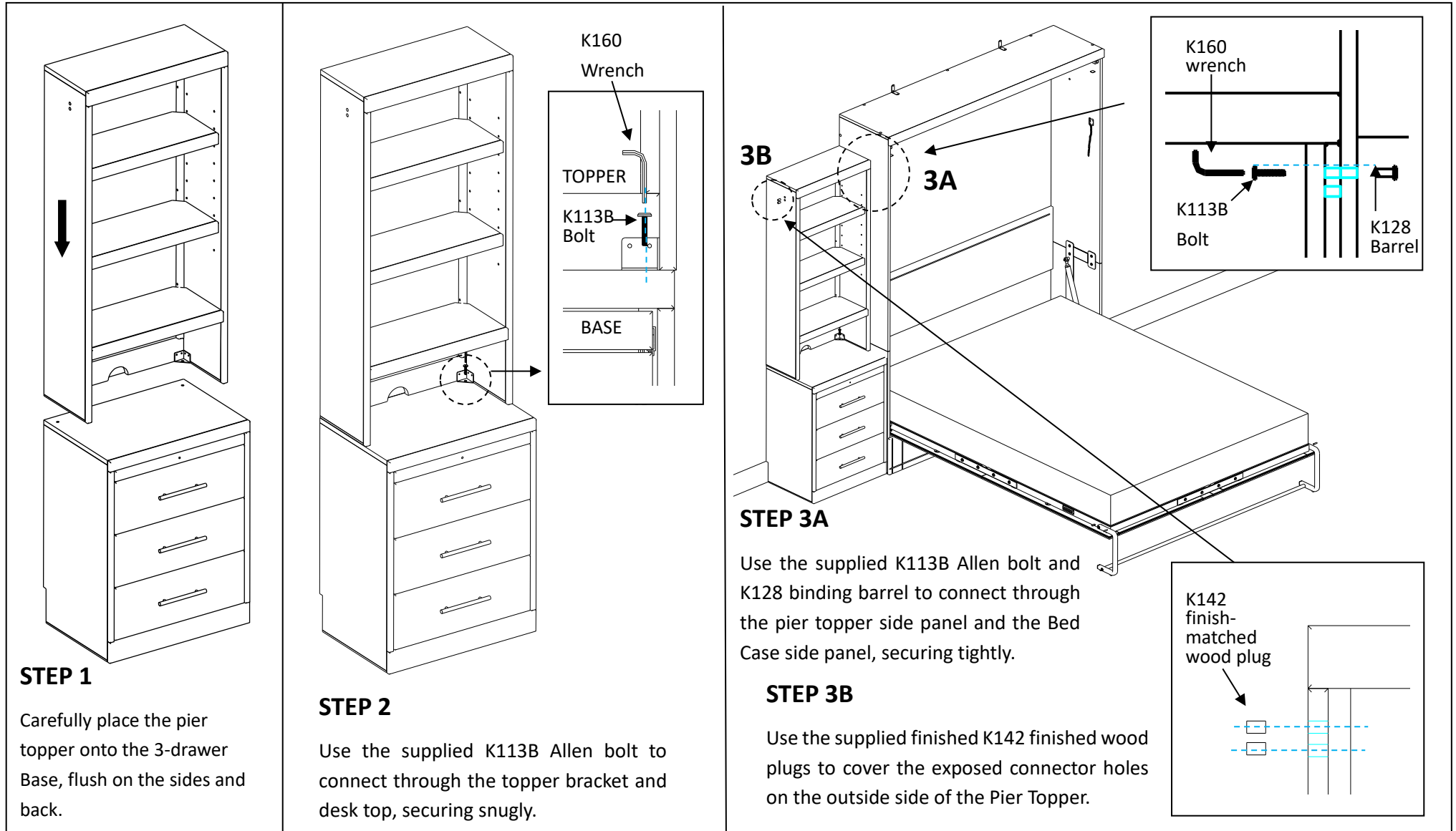
Use the supplied K113B Allen bolt and K128 binding barrel to connect through the pier topper side panel and the Bed Case side panel, securing snugly.

STEP 3B

Use the supplied finished K142 dowel plugs to cover the exposed holes on the outside side of the Pier Topper.



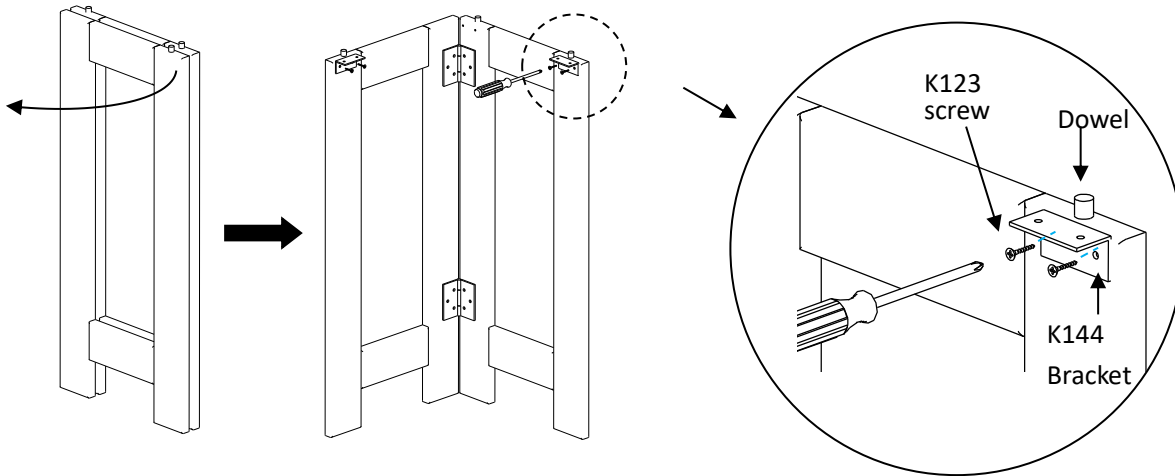
Connecting the Pier Topper to the 3-Drawer Base, and the assembled pier to the Bed Case.



Setting up the Option Desk page 1

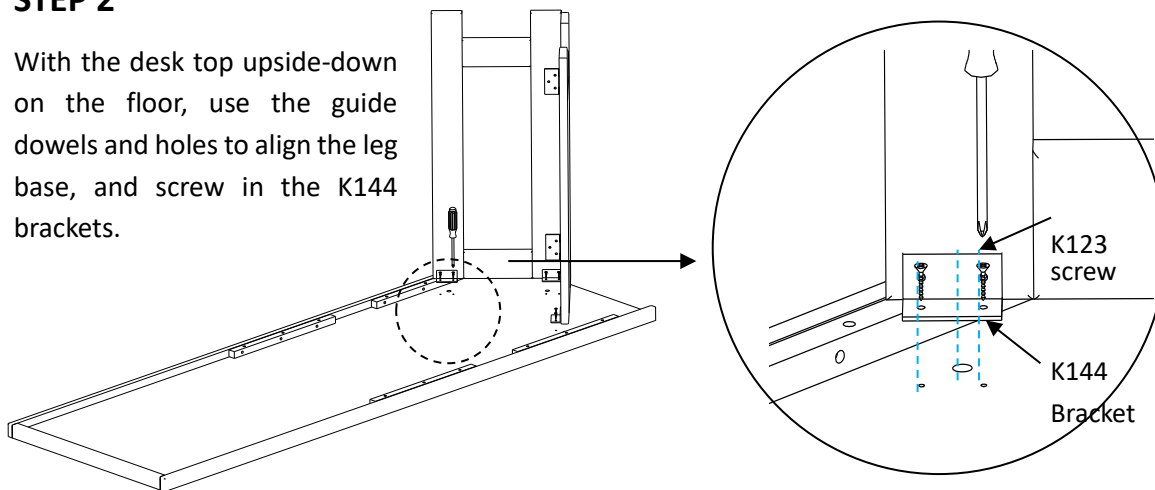
STEP 1

Fold the Leg Base open and install the L-shaped K144 bracket on each leg as shown.

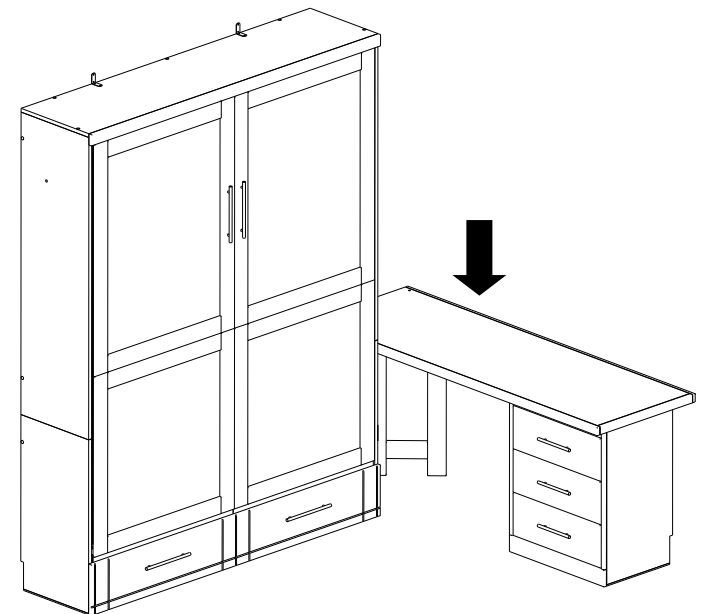


STEP 2

With the desk top upside-down on the floor, use the guide dowels and holes to align the leg base, and screw in the K144 brackets.

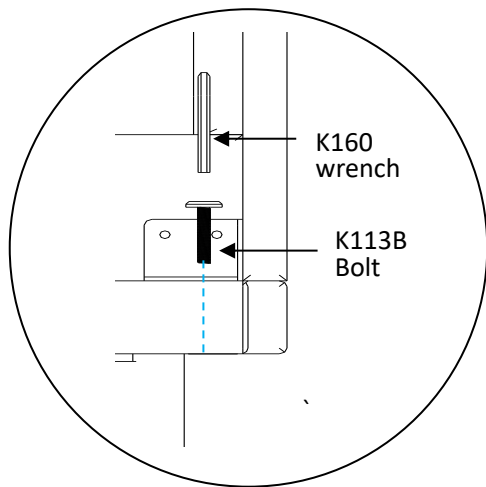
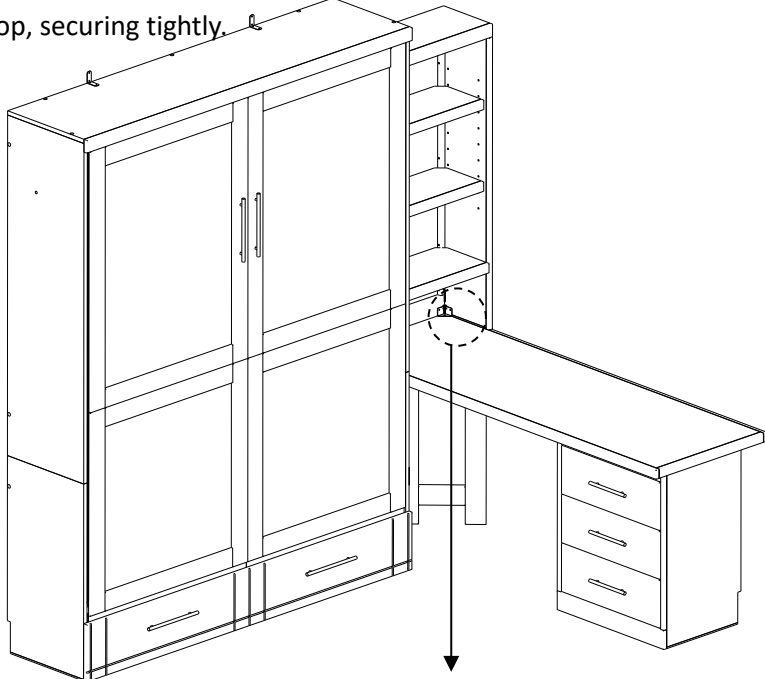


STEP 3 Set the desk top square against the Bed Case and back to the wall, and position the 3-drawer base under the open end of the Desk



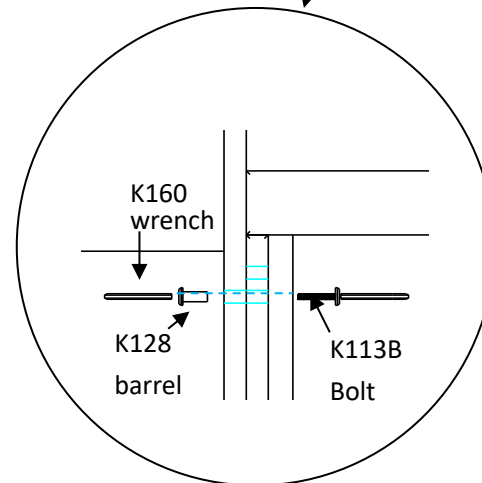
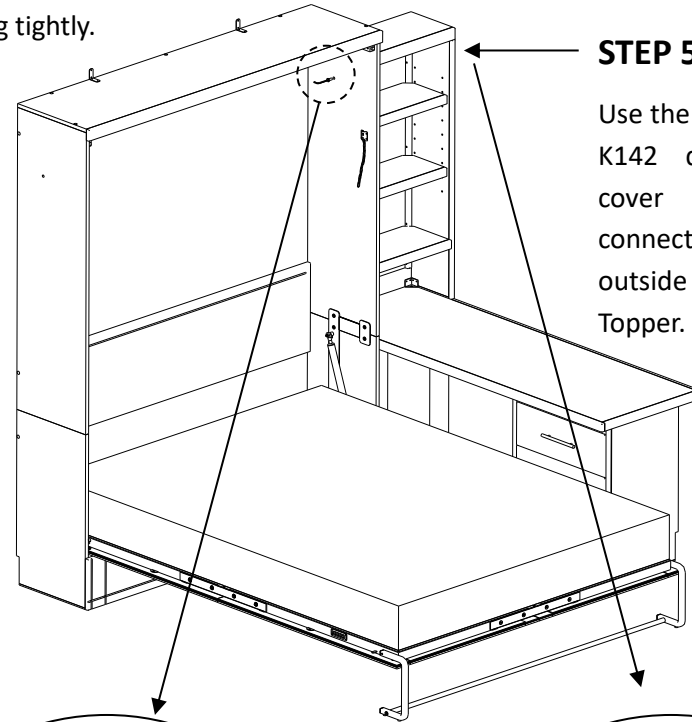
STEP 4

Use the supplied K113B Allen bolt to connect through the topper bracket and desk top, securing tightly.



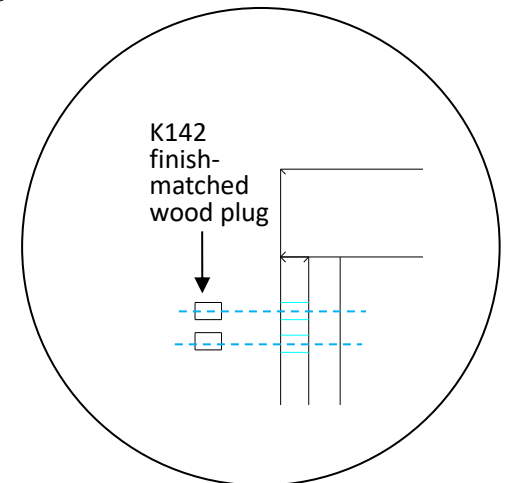
STEP 5A

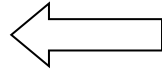
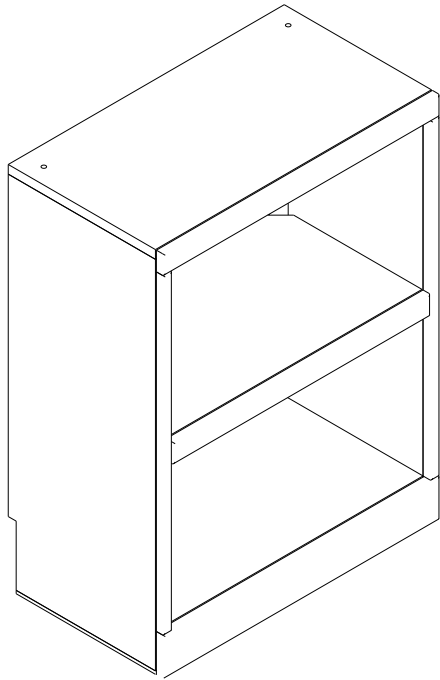
Use the supplied K113B Allen bolt and K128 binding barrel to connect through the pier topper side panel and the Bed Case side panel, securing tightly.



STEP 5B

Use the supplied finished K142 dowel plugs to cover the exposed connector holes on the outside side of the Pier Topper.





BR-129 BOOKCASE CASE

↑
UP

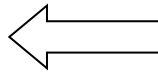
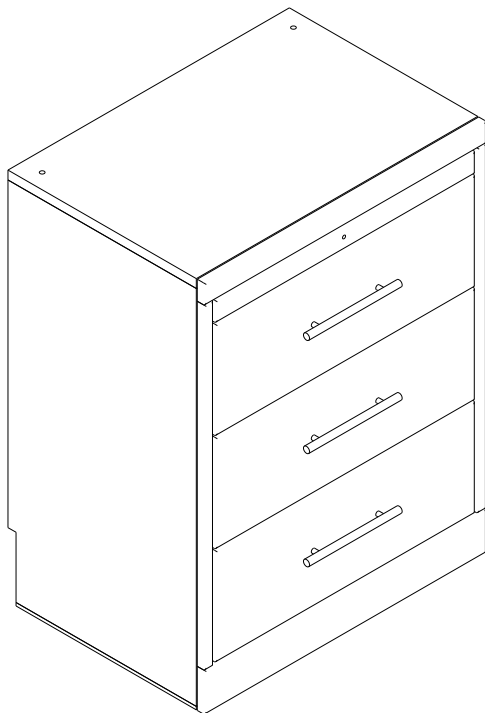
roomandloft

BR129-CH
Moderne
Chocolat
PO 13212

BOOKCASE BASE
C.FT 6.21
CM 0.176
LBS 41
KG 18.6

US PATENT PENDING

NO BUBBLE PACK



BR-130 3DRAWERS CASE

↑
UP

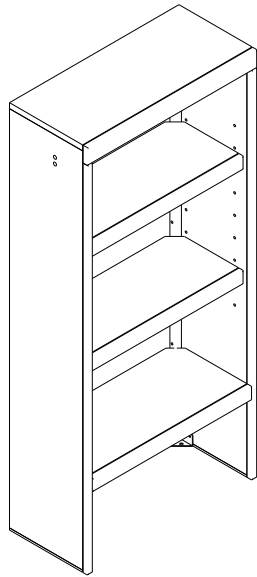
roomandloft

BR130-CH
Moderne
Chocolat
PO 13212

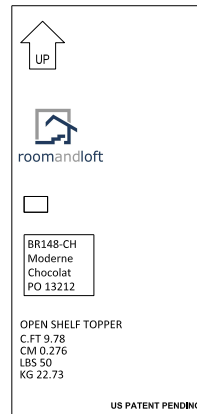
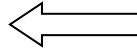
3DWR/ROS DRAWER BASE
C.FT 9.07
CM 0.257
LBS 54
KG 24.5

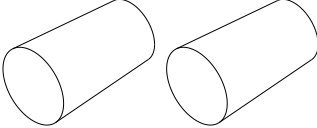
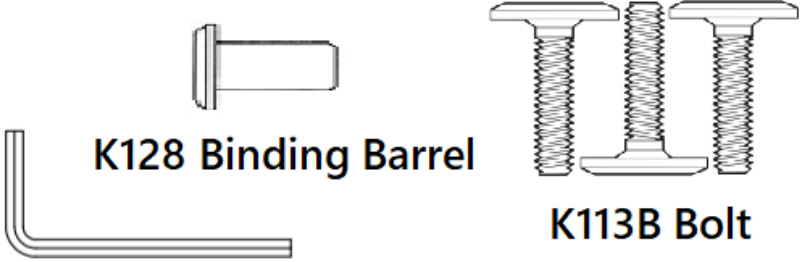
US PATENT PENDING

NO BUBBLE PACK

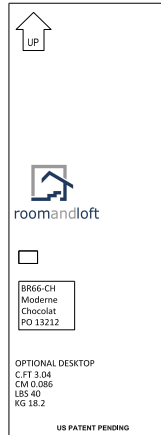
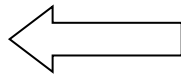
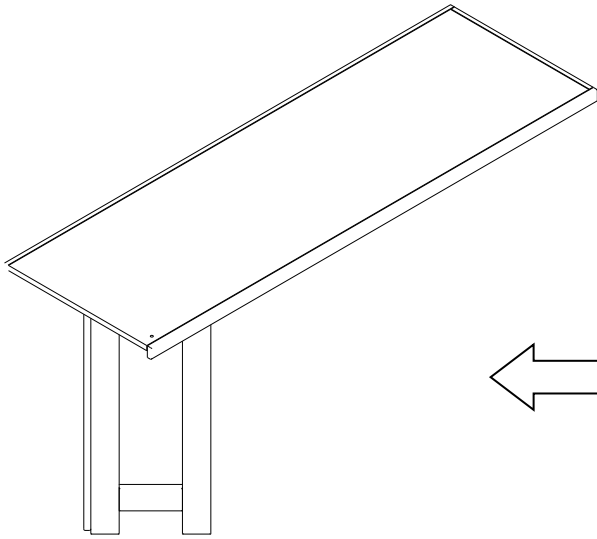


BR148 OPEN SHELF TOPPER



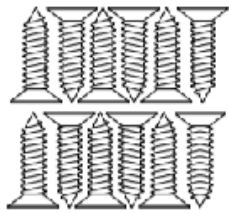
<p>HARDWARE BAG</p>	 <p>K142 Plugs</p>
<p>BUBBLE PACK</p>	<p>BR148 - Bubble Pack</p>  <p>K128 Binding Barrel</p> <p>K113B Bolt</p> <p>K160 - 4mm ALLEN WRENCH</p>

BR66 OPTION DESK TOP

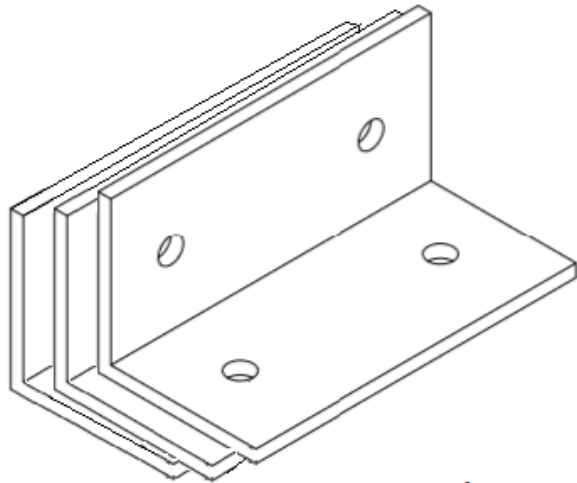


**BUBBLE
PACK**

BR66 - Bubble Pack



K123 - SCREW #8x5/8"



K144 - Bracket