

33" Ottoman



Estimated Time for Assembly

10 mins

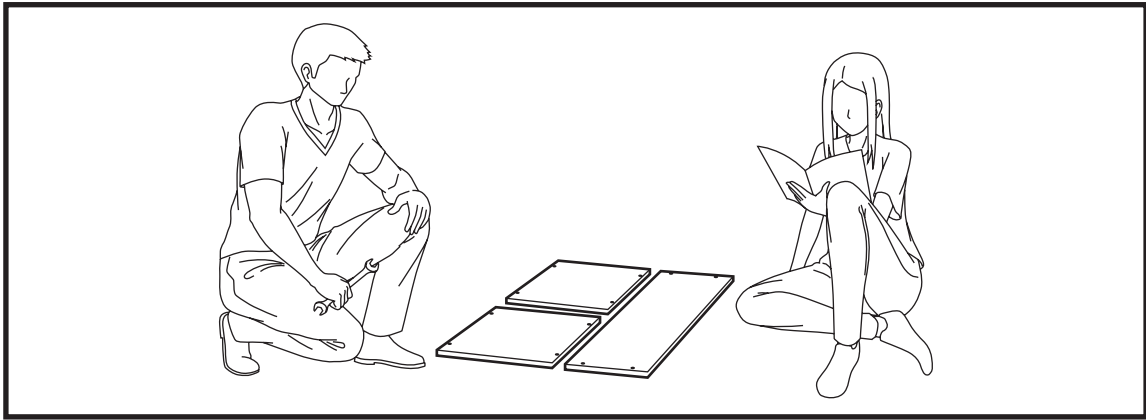


Weight Limitation

300 lb

Tools Needed

All necessary tools are included in the package.



This furniture requires 2 people to assembly.

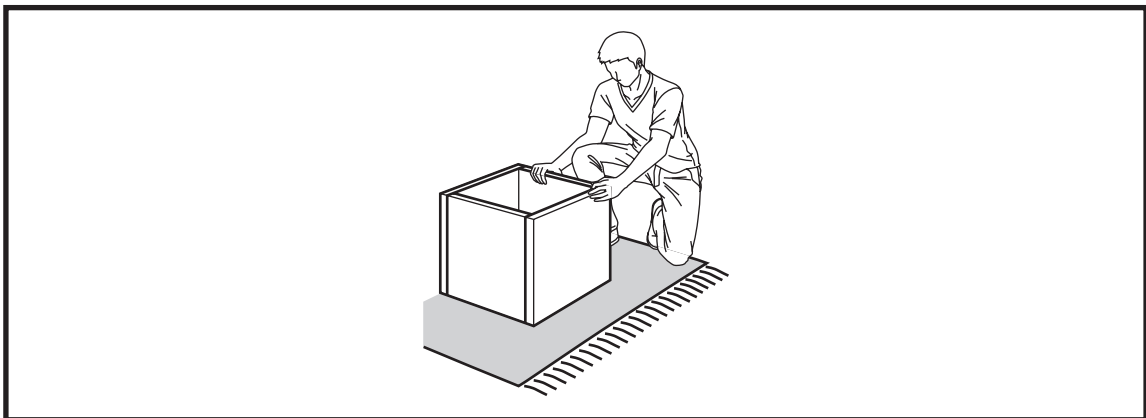
Read this instruction manual prior to assembly to familiarize yourself with various steps of construction.

Layout all components and hardware seperately on flat surface and make sure no parts are missing or damaged before assembly. Do not destroy or discard any packaging until you are certain that you have all the necessary parts for the assembly

Caution

There are small components used in the construction of this product. Loose items should be kept away from pets and children to avoid choking hazard.

Keep all plastic bag and packaging film away from pets and children to avoid suffocation.

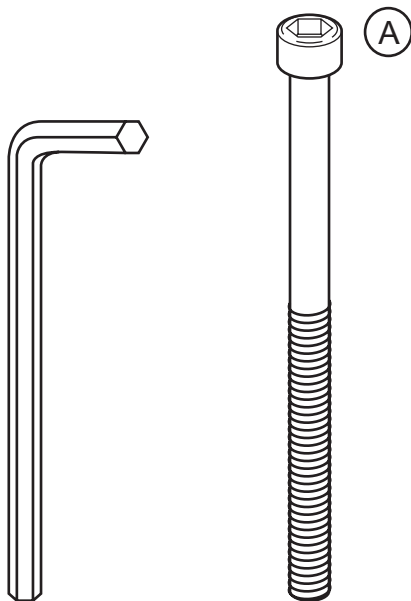
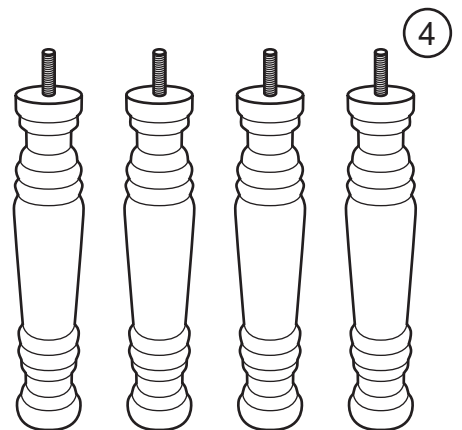
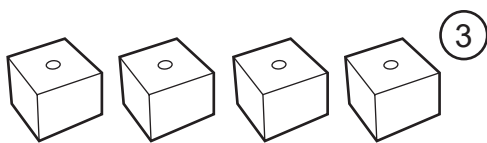
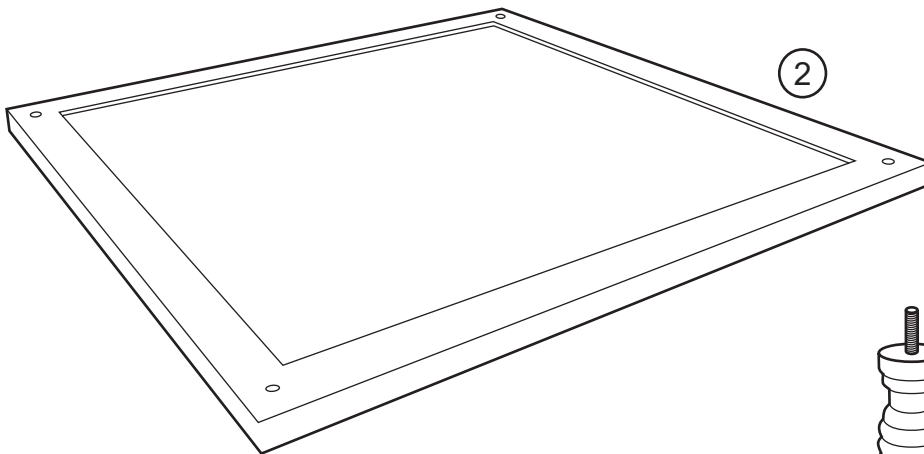
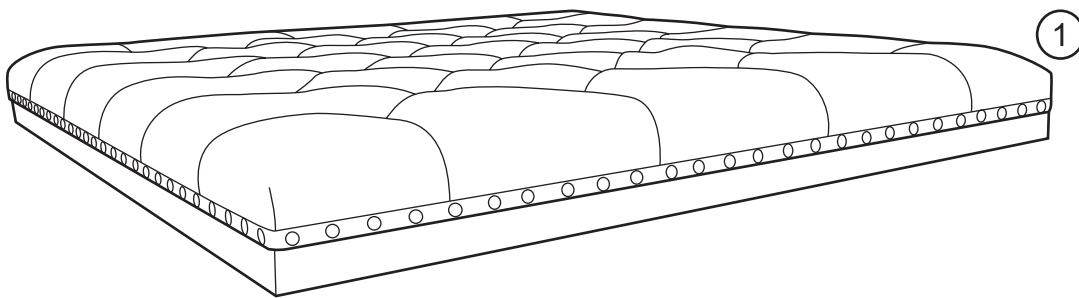


Assemble the furniture on empty carton, carpet, or rug to prevent scratches or damage.

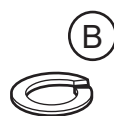
Keep pets and children away from the assembly area.

Ensure the product is fully assembled before use. Do not use if there is any missing hardware or part.

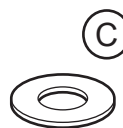
PACKAGE CONTENT



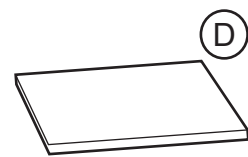
4x + 1x



4x + 1x



4x + 1x

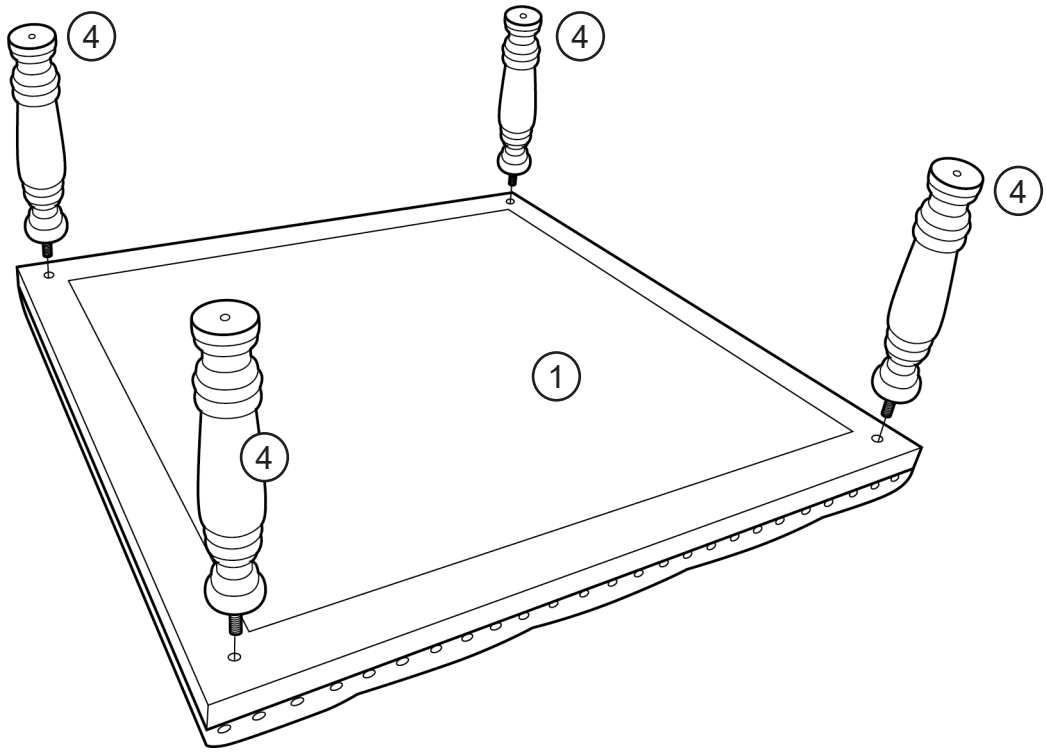


4x + 1x

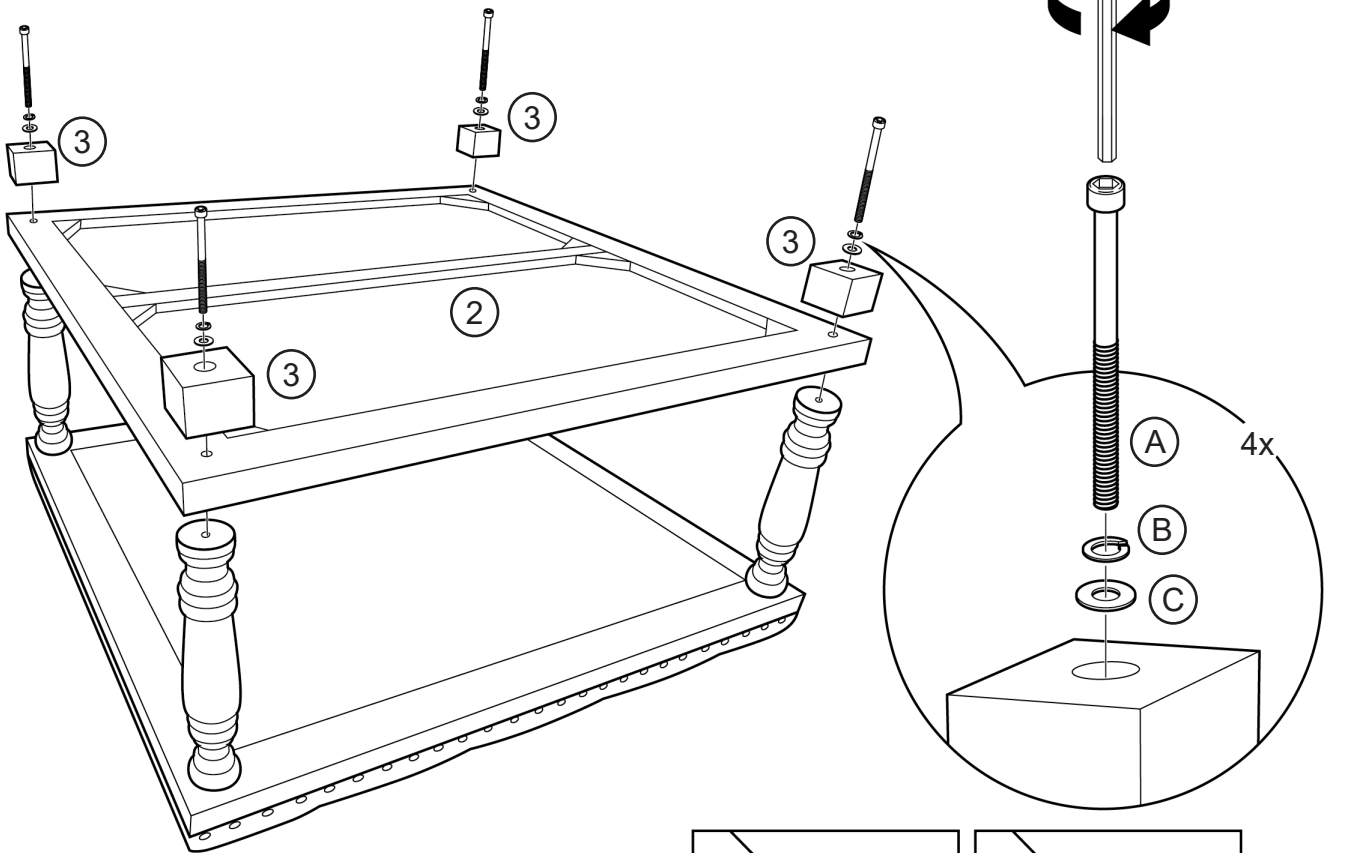
Install all hardware perpendicular to the opening.



1

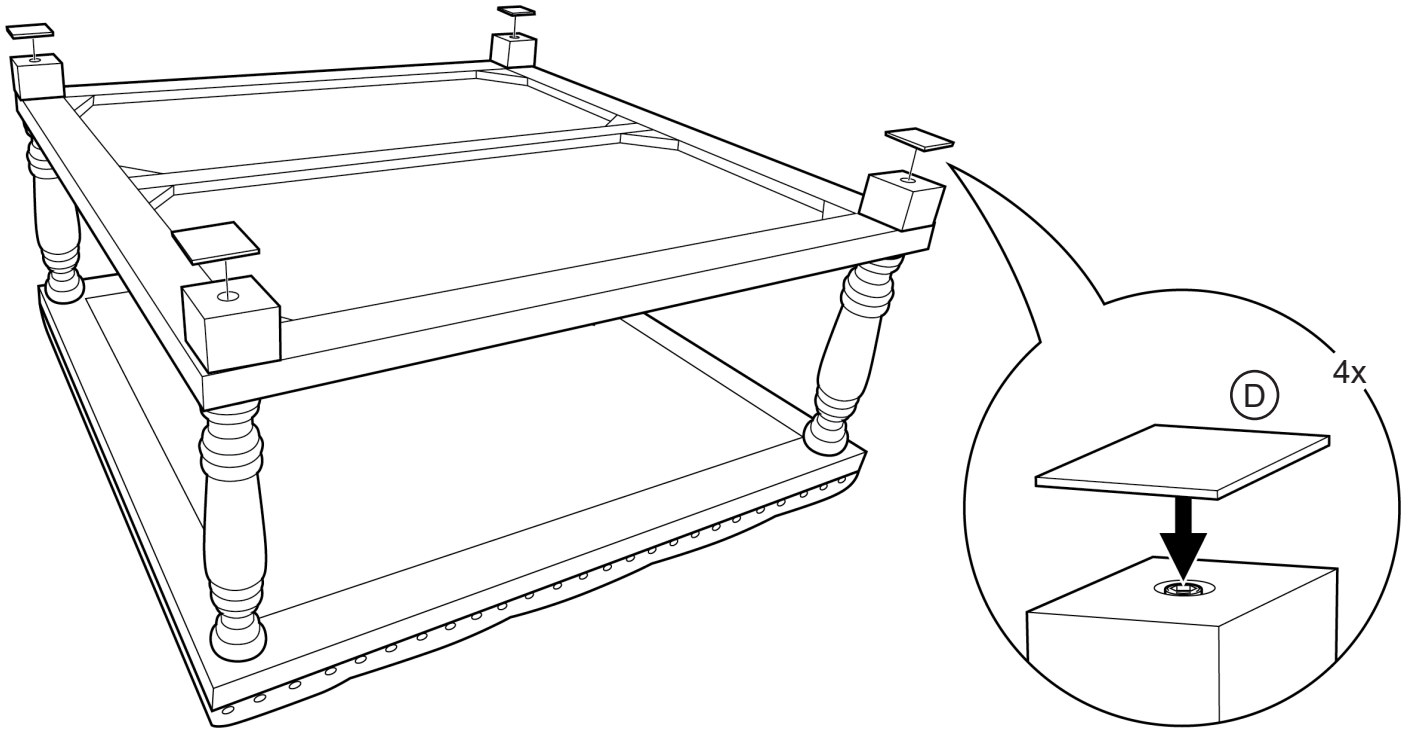


2



Install the bolt through the bigger opening.

3



FINISH!

FURNITURE CARE AND MAINTENANCE

Thank you for your purchase. We want your item to last as long as possible. To ensure the product gives you years of service, please refer to this care and maintenance guide.



MAINTENANCE

- Tighten all bolts and screws again within the first 2 weeks of assembly.
- Check the tightness of all bolts and/or parts every month, tighten them if necessary.



CLEANING

- Clean the furniture surface with a lightly dampened cloth or soft brush.
- Regularly clean the cloth surface with a vacuum cleaner.
- Dry the surface immediately after cleaning.

⚠ DO NOT use bleach or alcohol detergent to clean the surface.

⚠ WARNING

Manufacturer and seller expressly disclaim any and all liability for personal injury, property damage or losses, whether direct, indirect, or incidental, resulting from the incorrect attachment, improper use, inadequate maintenance, unapproved modification or neglect of this product.