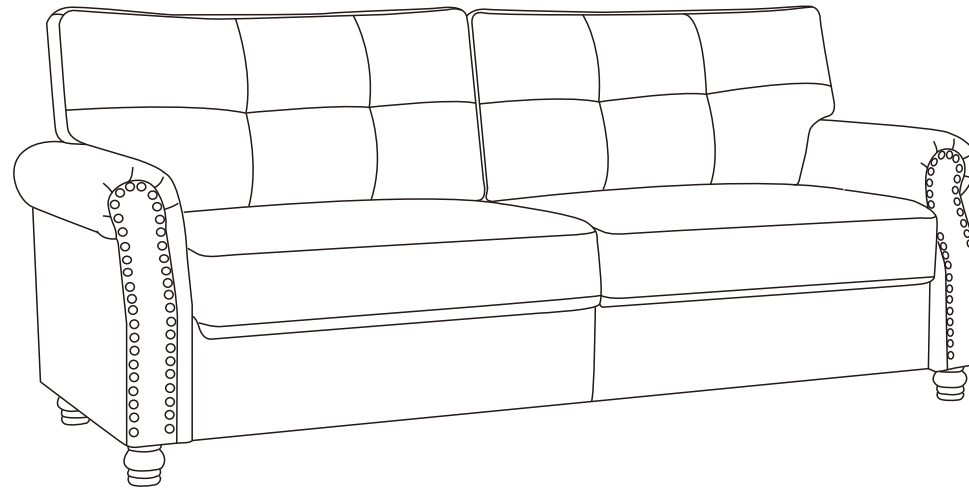
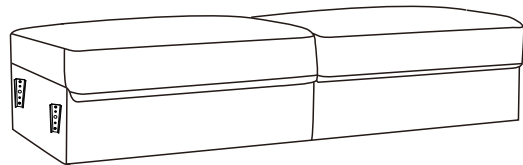


ASSEMBLY INSTRUCTION

ITEM NO.:2356-3P

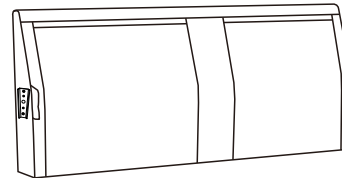


PARTS LIST



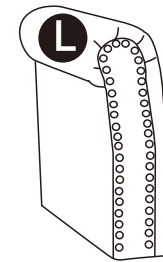
A

1



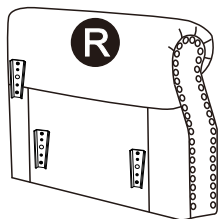
B

1



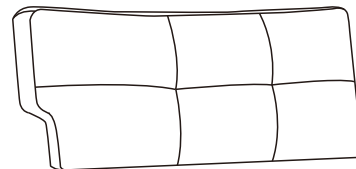
C

1



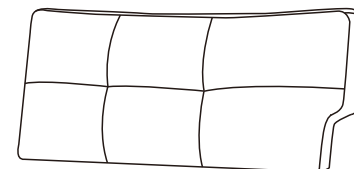
D

1



E

1



F

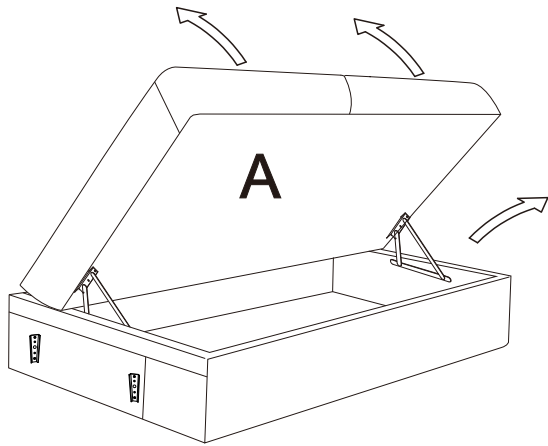
1



G

4

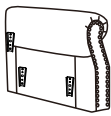
Step-1



C=1



D=1



E=1



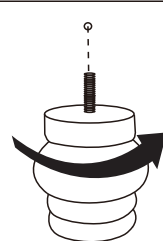
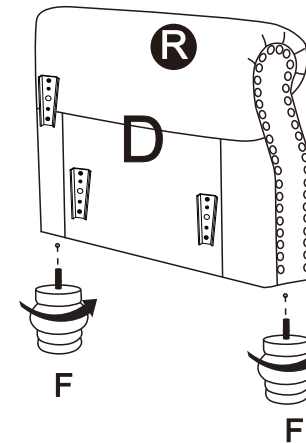
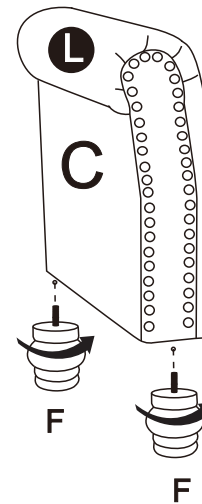
F=1



G=4



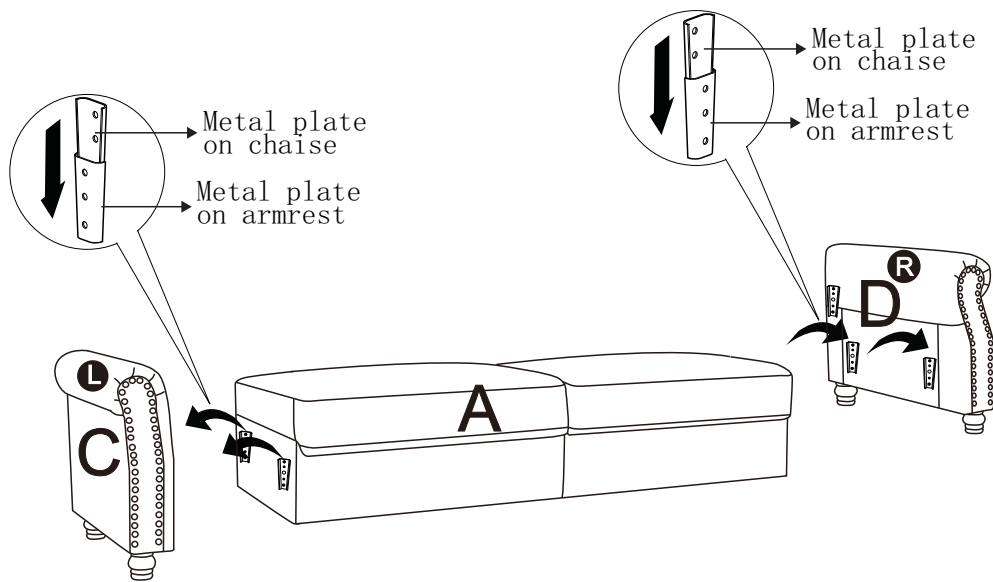
Step-2



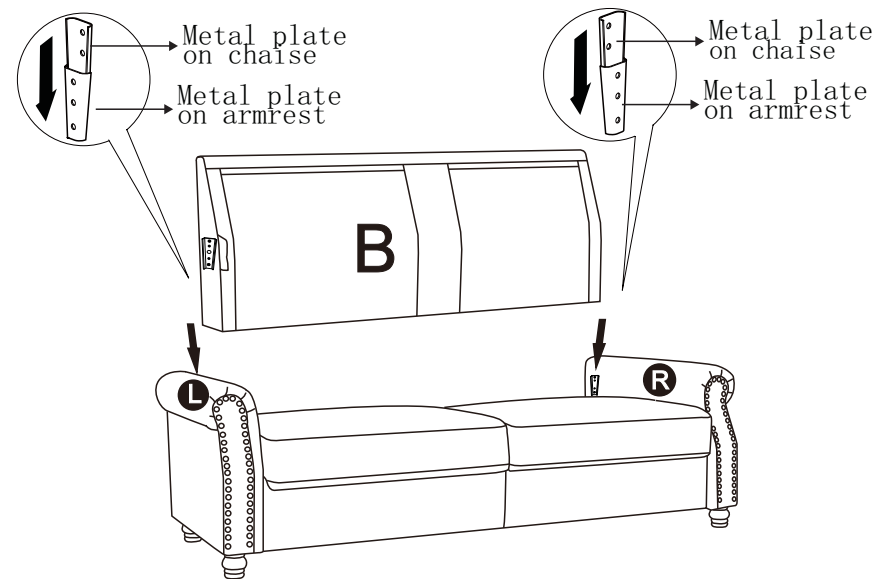
F

X4

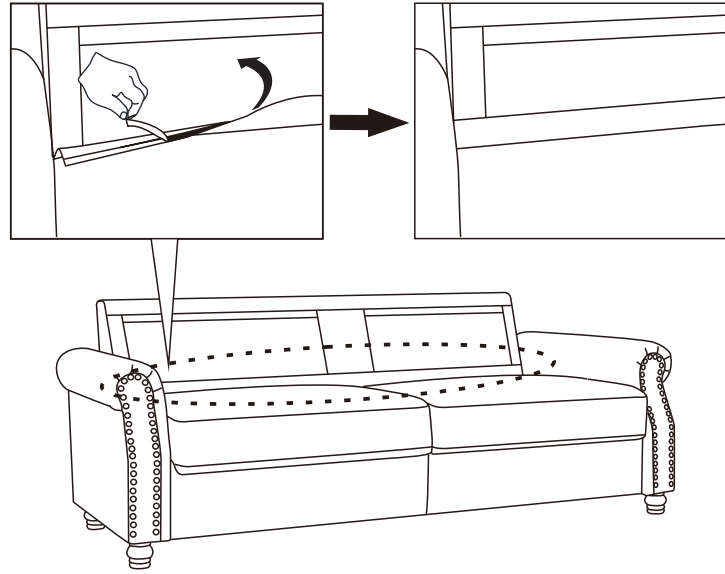
Step-3



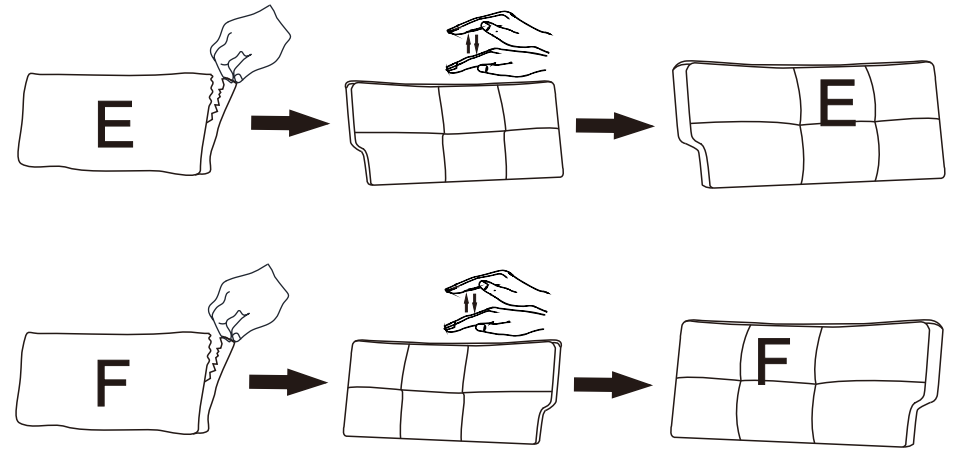
Step-4



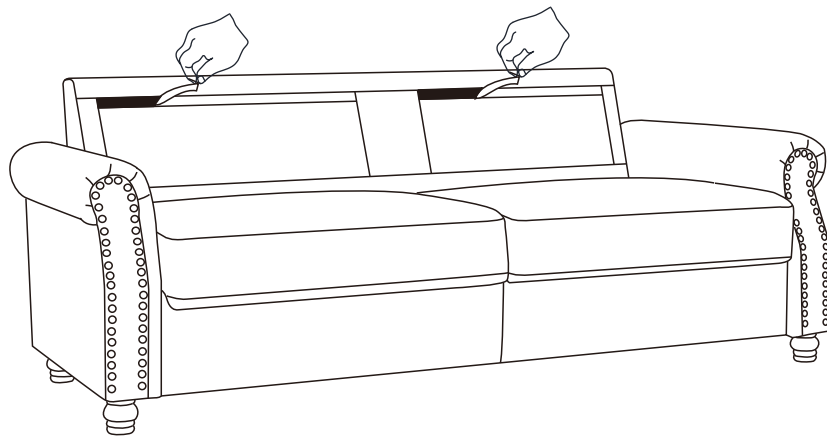
Step-5



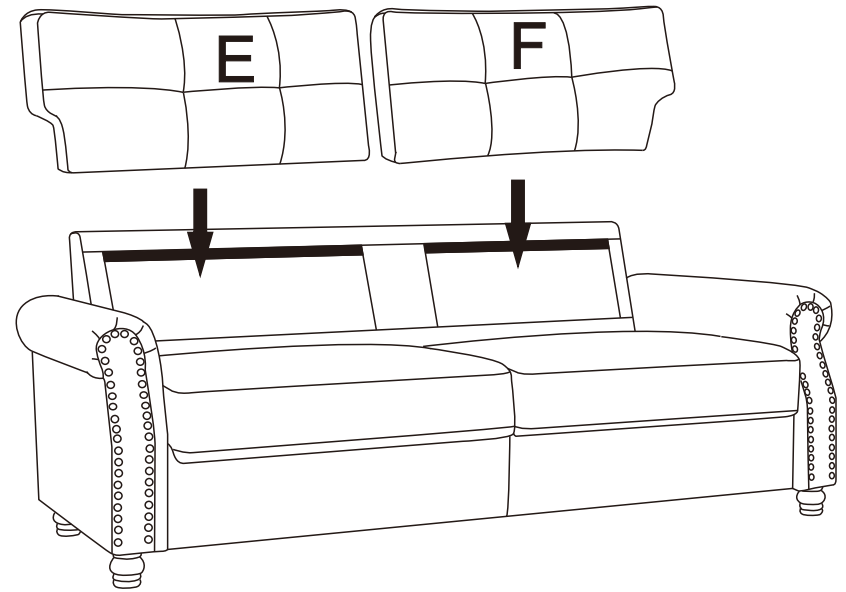
Step-6



Step-7



Step-8



Step-9

