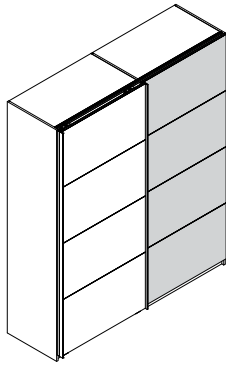
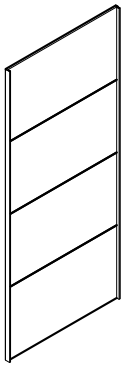
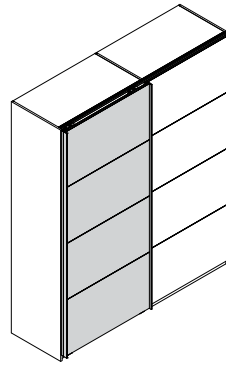


2x

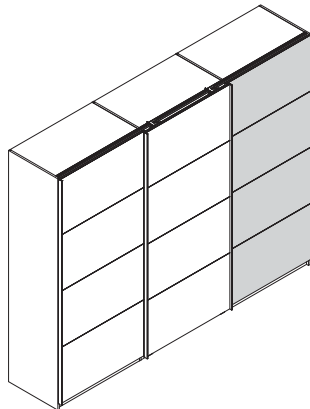
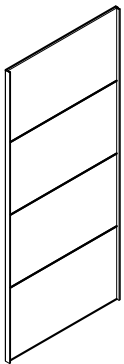


A

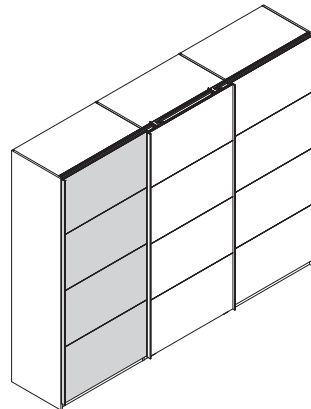


B

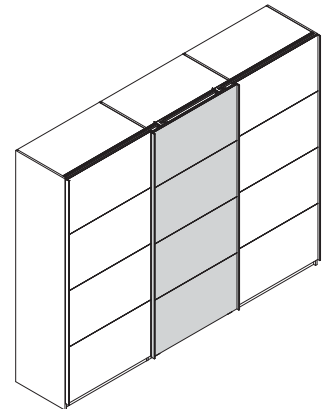
3x



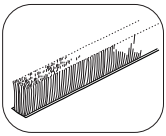
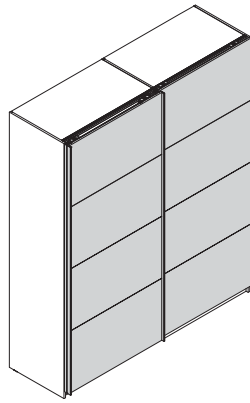
A



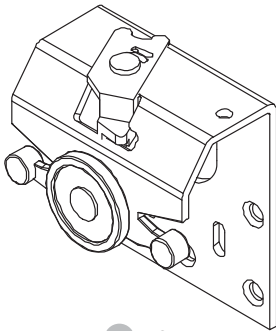
C



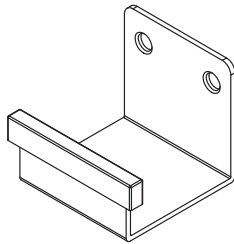
D



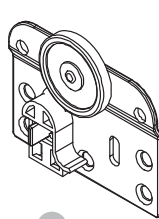
H316 x1
L. 2285mm



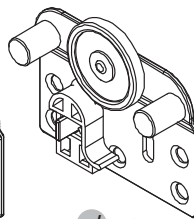
a x2
80x48x92mm



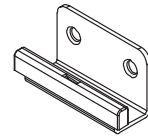
b x2
58x63x51mm



c x1
80x60x8,5mm



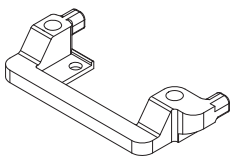
d x1
80x60x8,5mm



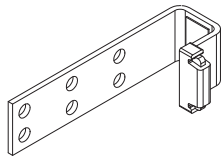
e x2
57x20x31mm



f x24
Ø6,3x11mm



C x1
973-4508



W580 x1



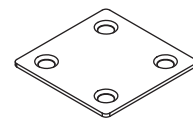
g x4
823-6203
Ø6,3x15mm



h x1
821-6332
Ø6,3x15mm



i x1
820-6328
Ø4x16mm



W498
x12



V13
x96



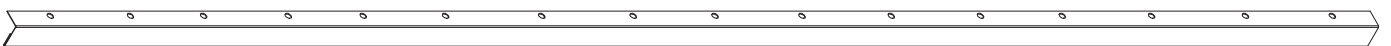
V29
x16



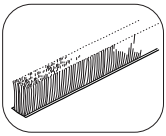
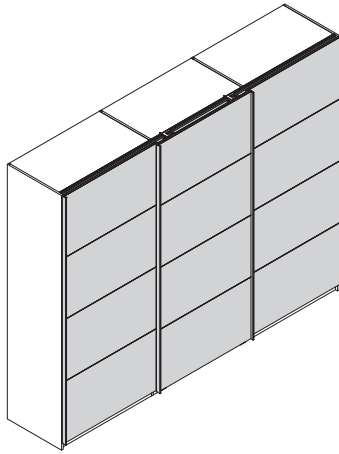
M195/M206/M208 x1
L. 2287mm



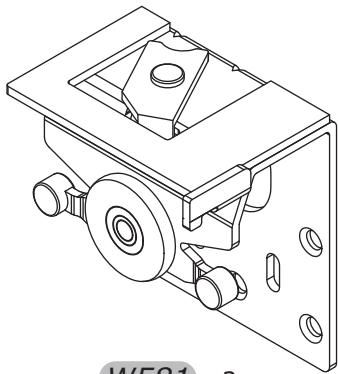
M194/M205/M207 x3
L. 2287mm



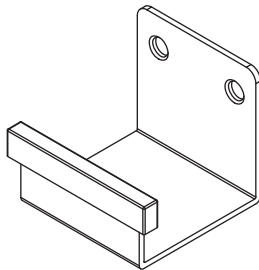
W584/W587/W588 x1
L. 2287mm



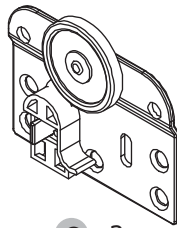
H316 x2
L. 2285mm



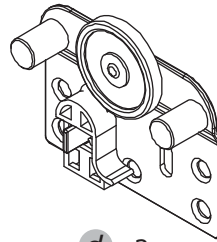
W581 x2
90x73x105mm



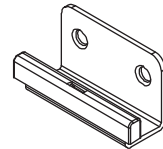
b x2
58x63x51mm



c x2
80x60x8,5mm



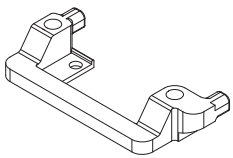
d x2
80x60x8,5mm



e x4
57x20x31mm



f x34
Ø6,3x11mm



c x2
973-4508



H317 x1



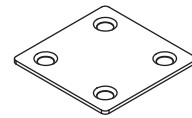
g x2
823-6203
Ø6,3x15mm



h x2
821-6332
Ø6,3x15mm



i x2
820-6328
Ø4x16mm



W498
x18



V13
x168



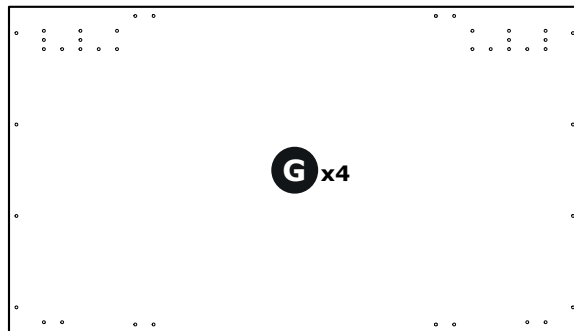
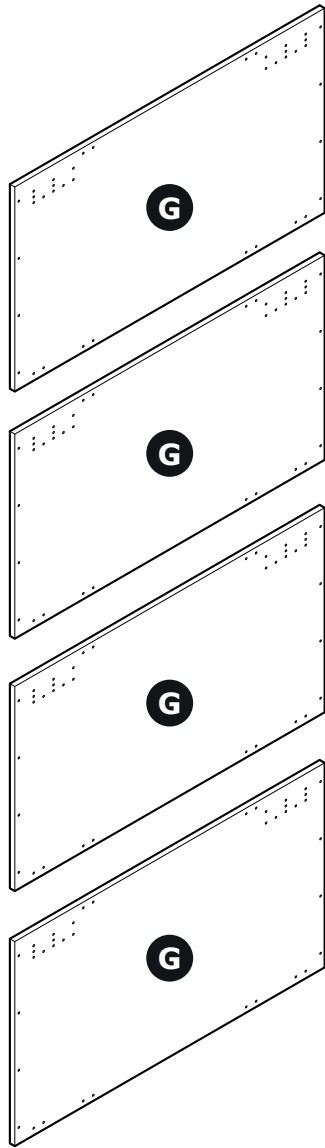
H113
x8



M195/M206/M208 x2
L. 2287mm

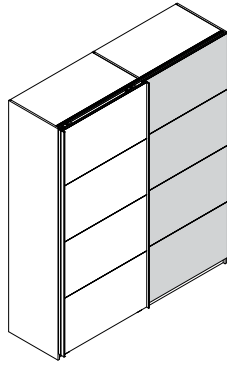


M194/M205/M207 x4
L. 2287mm

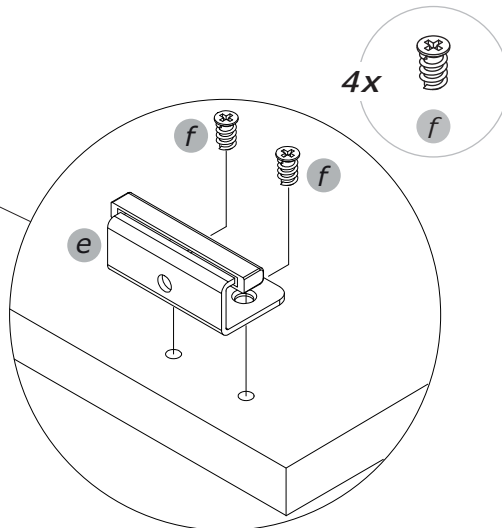
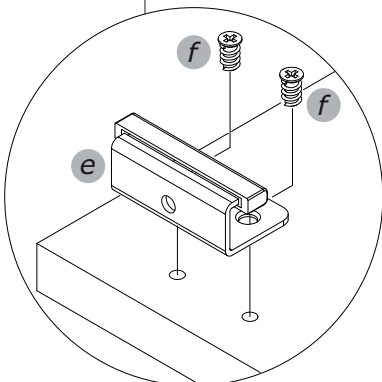
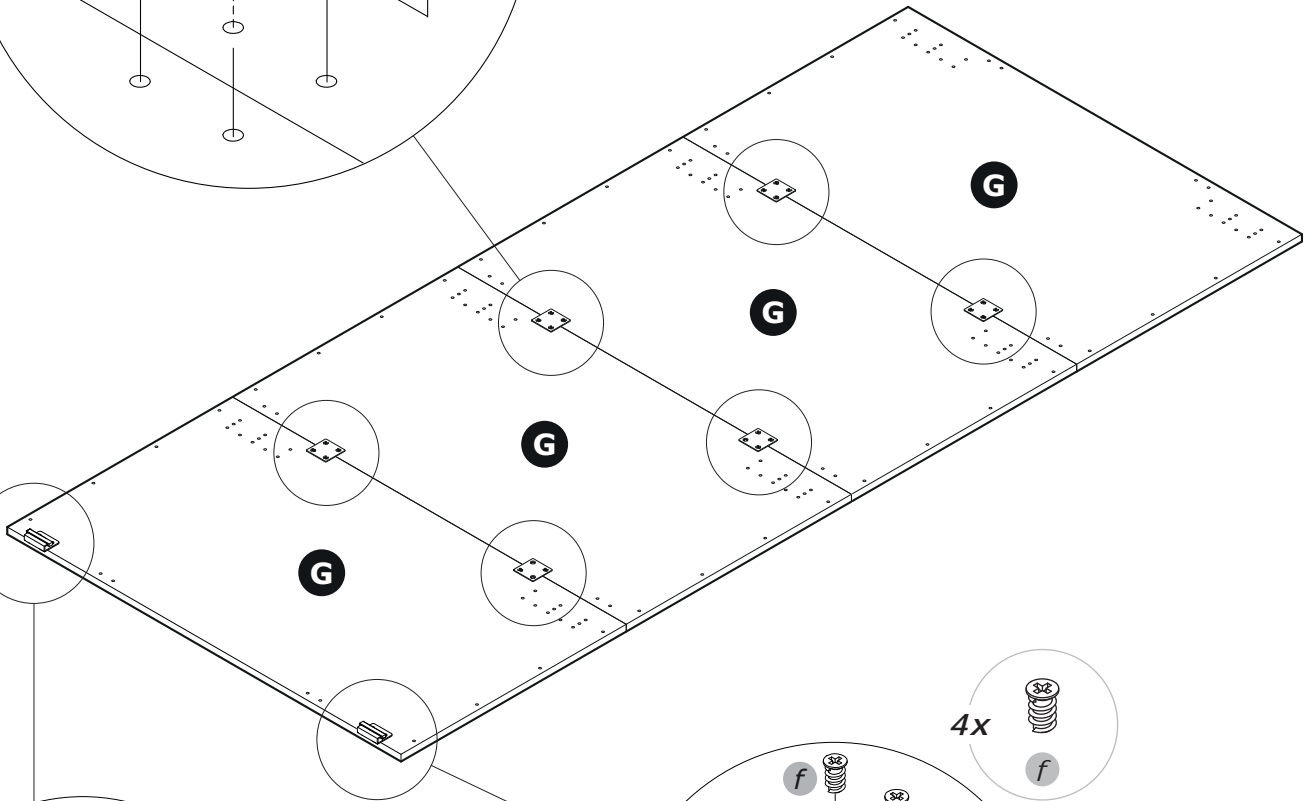
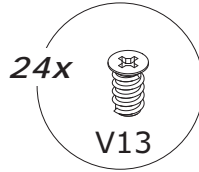
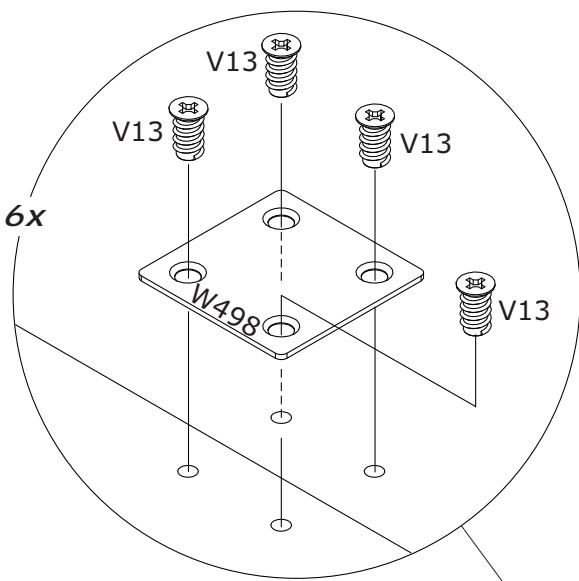
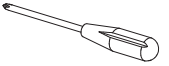


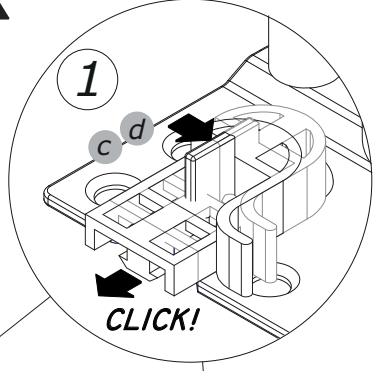
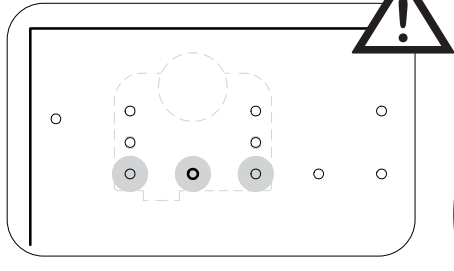
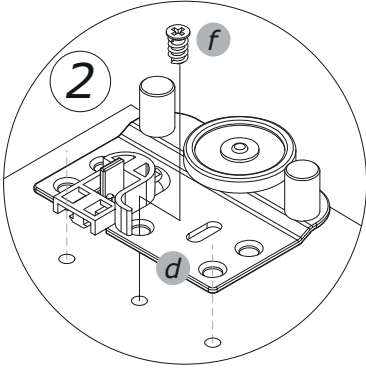
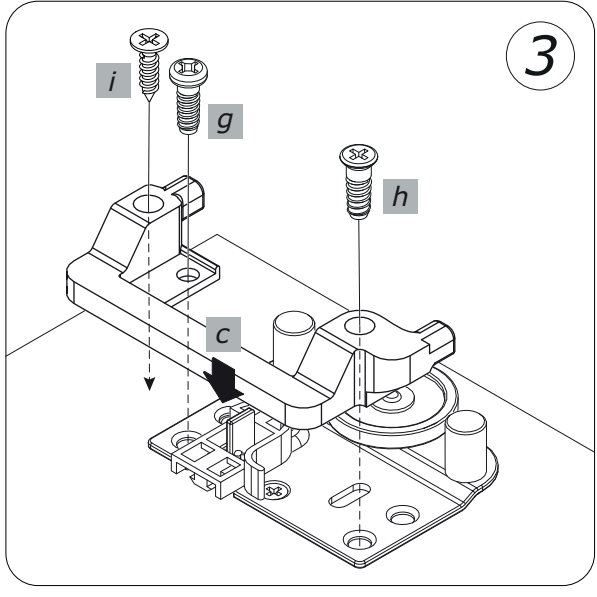
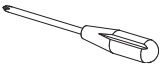
AN2892
1000x572x16mm

A

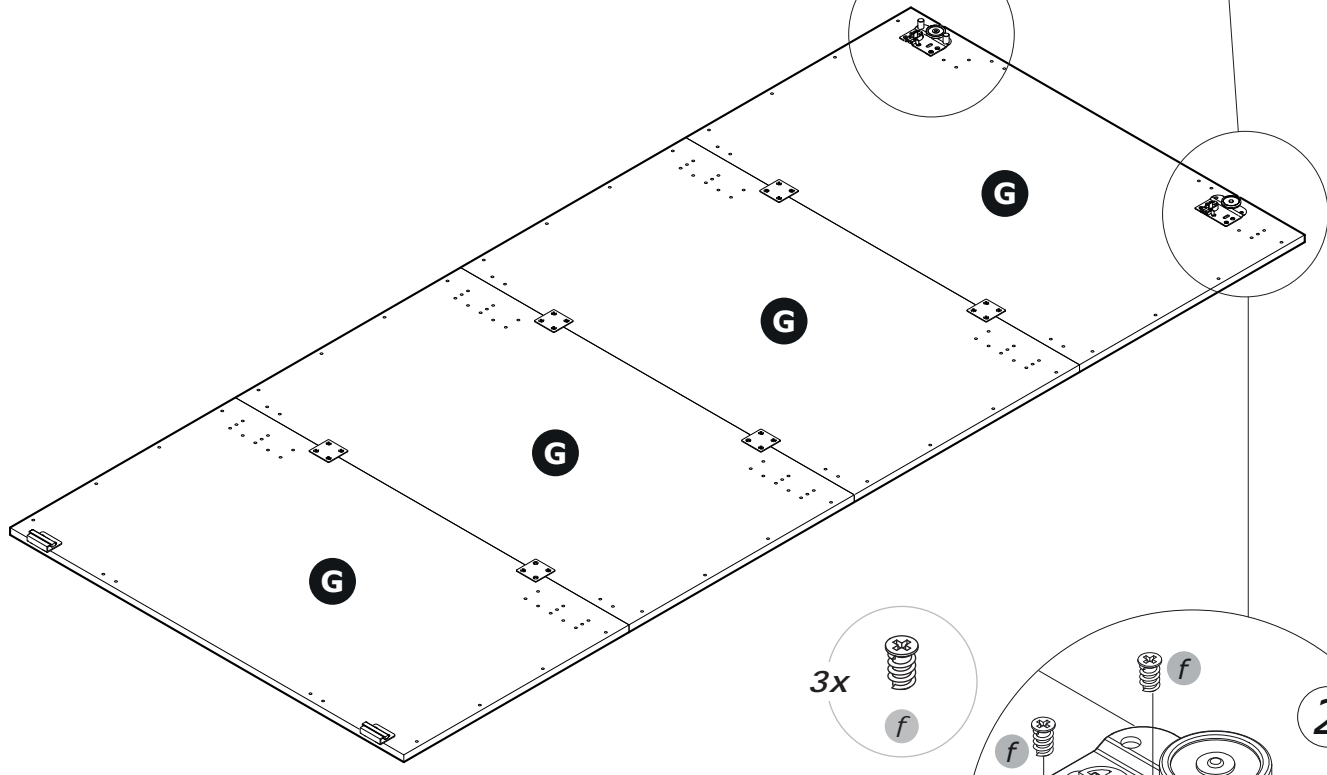


1

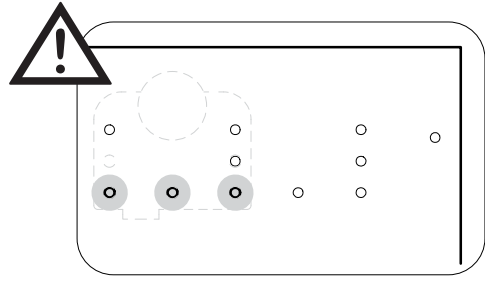
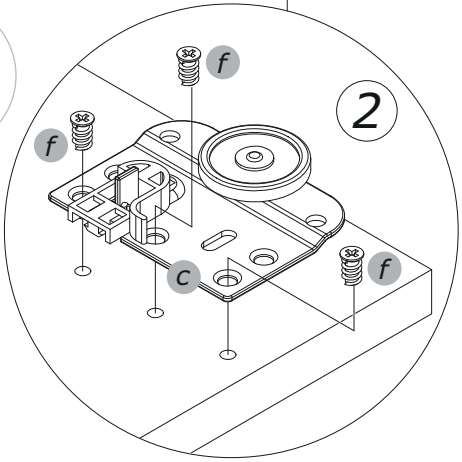




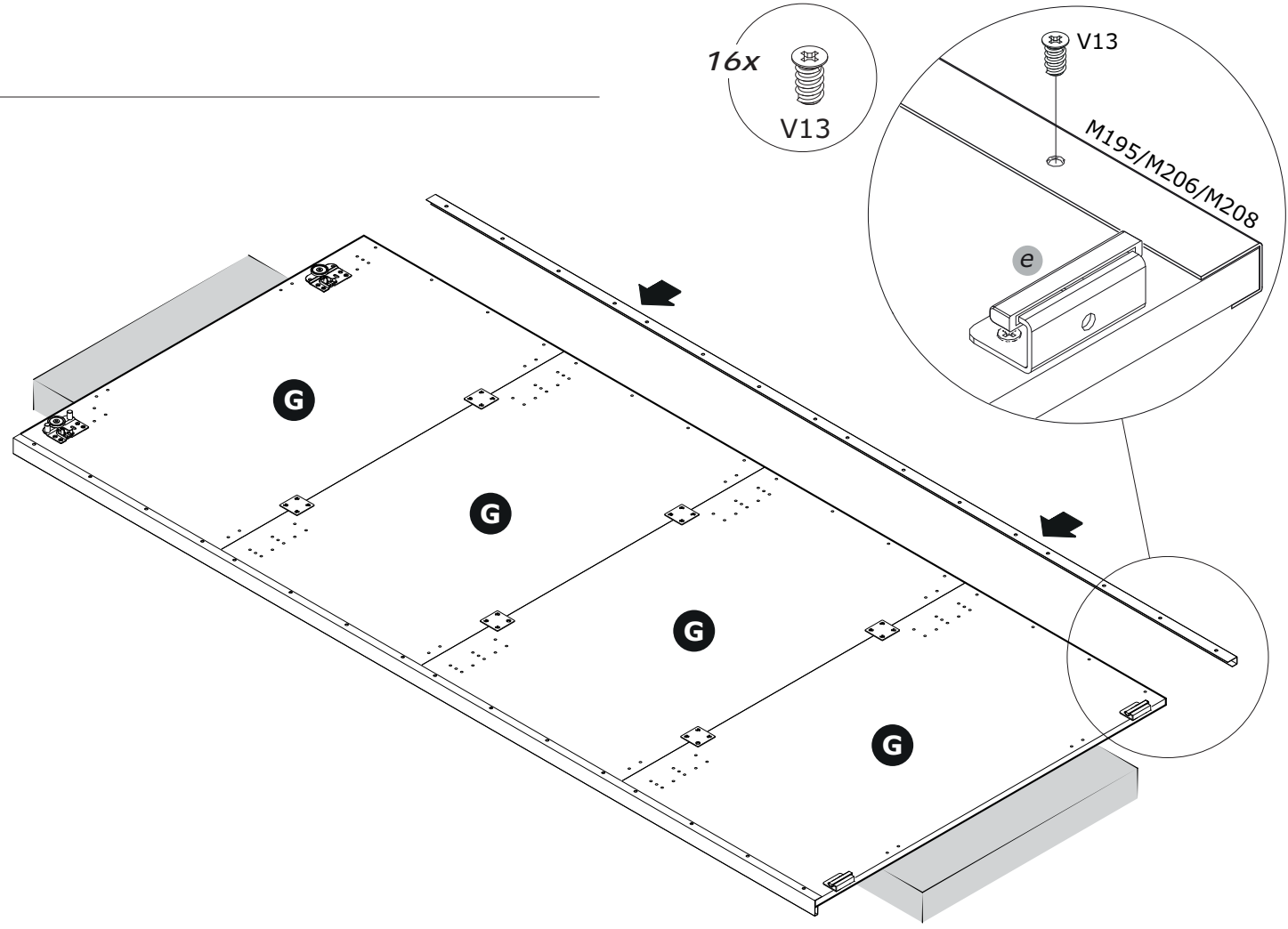
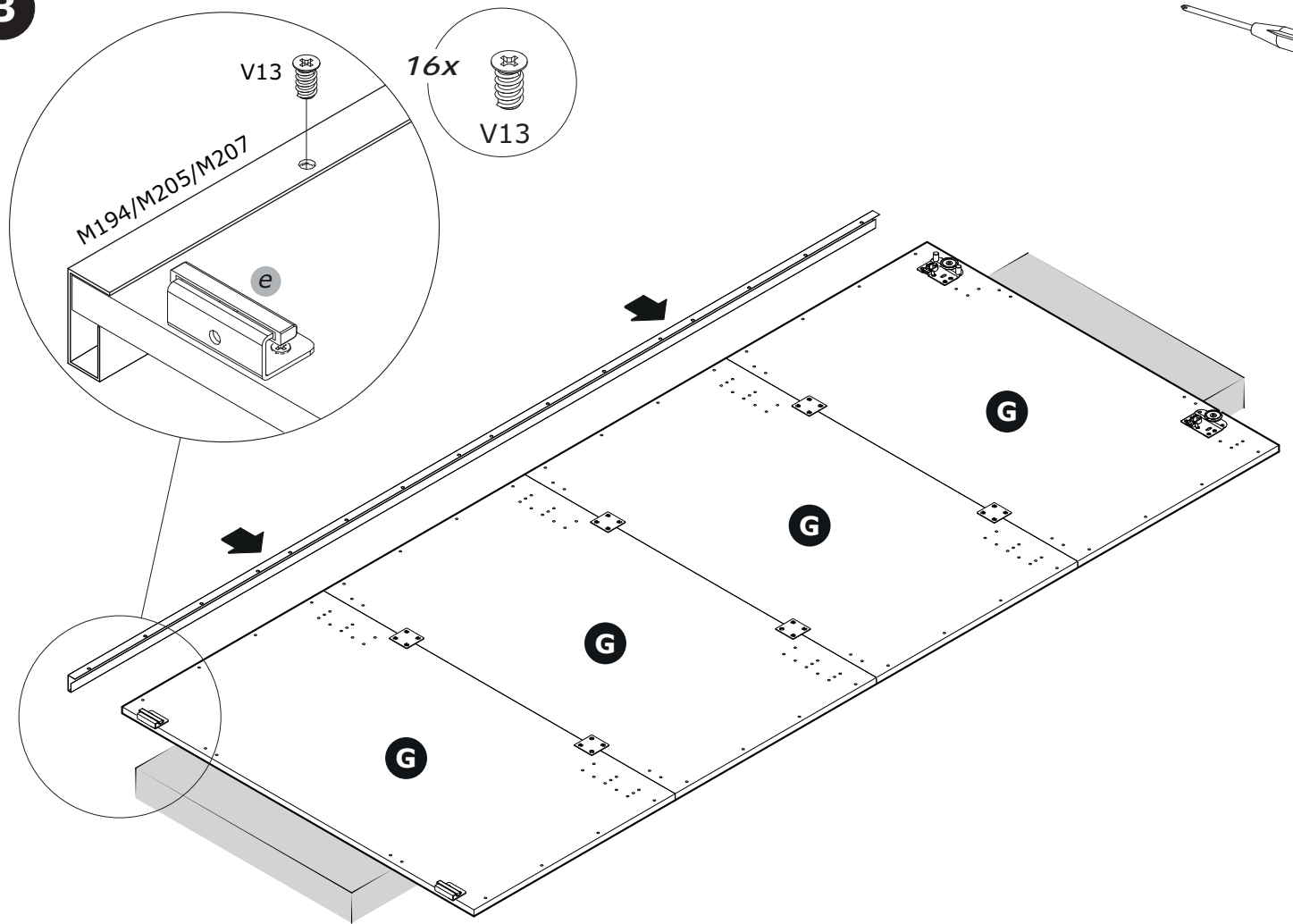
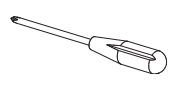
- 1x
- g**
 - h**
 - i**
 - f**



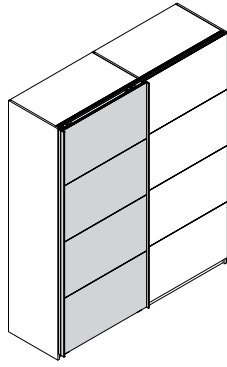
- 3x
- f**



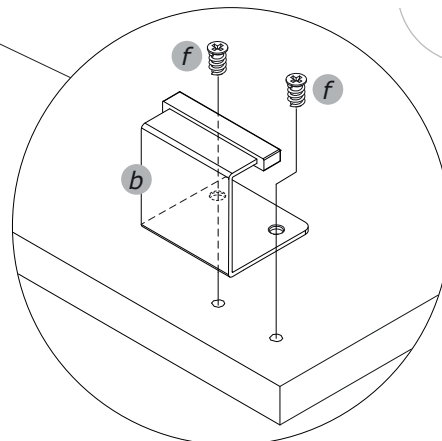
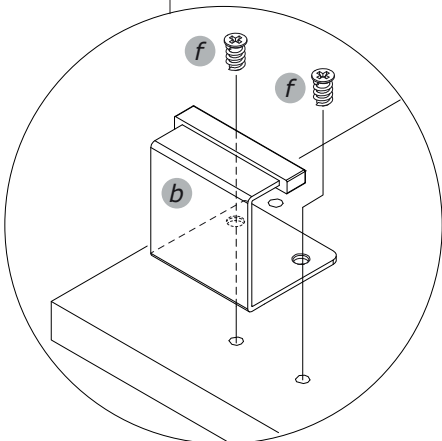
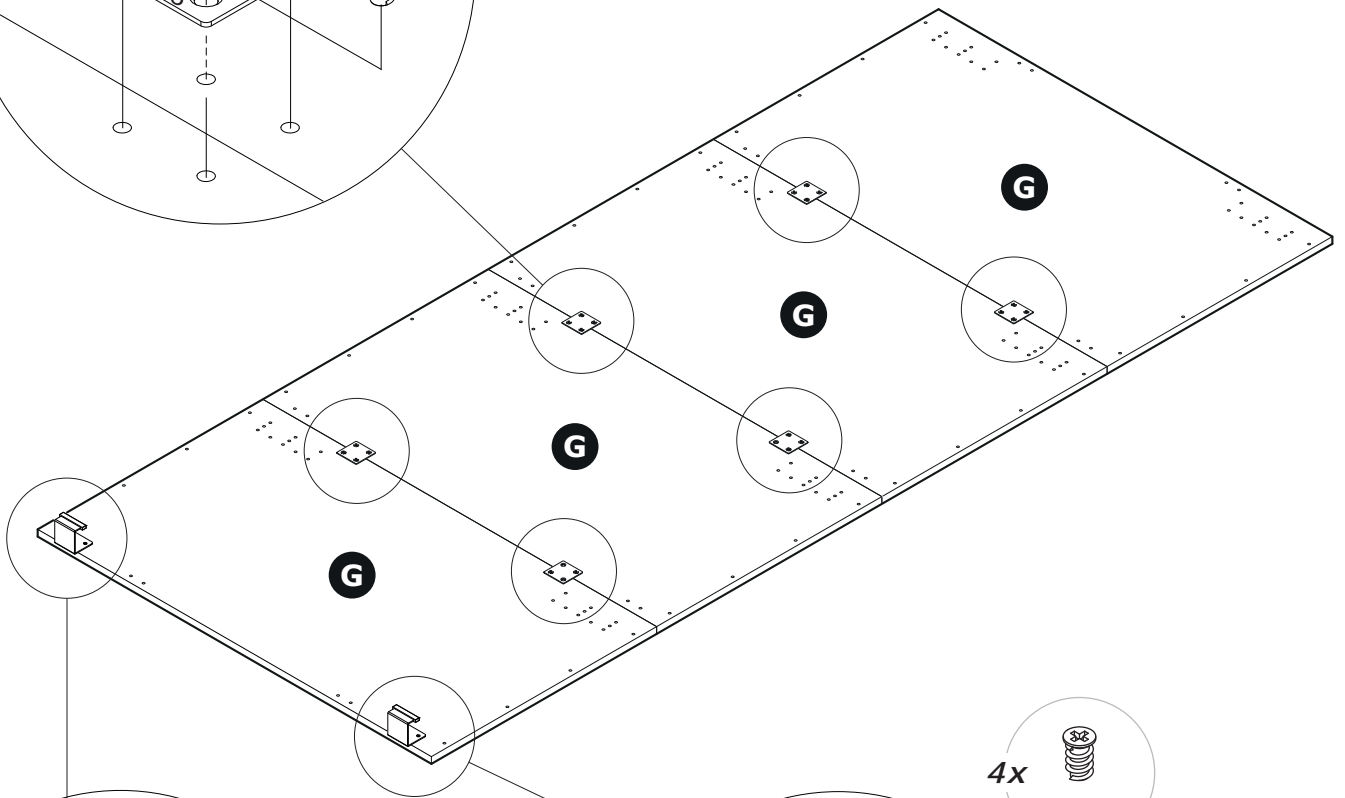
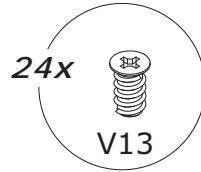
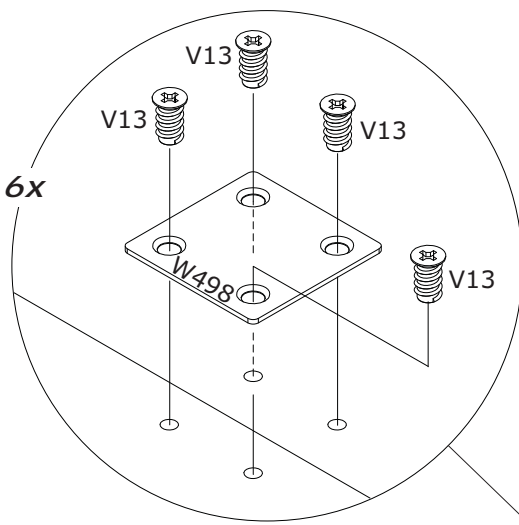
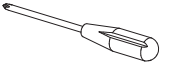
3

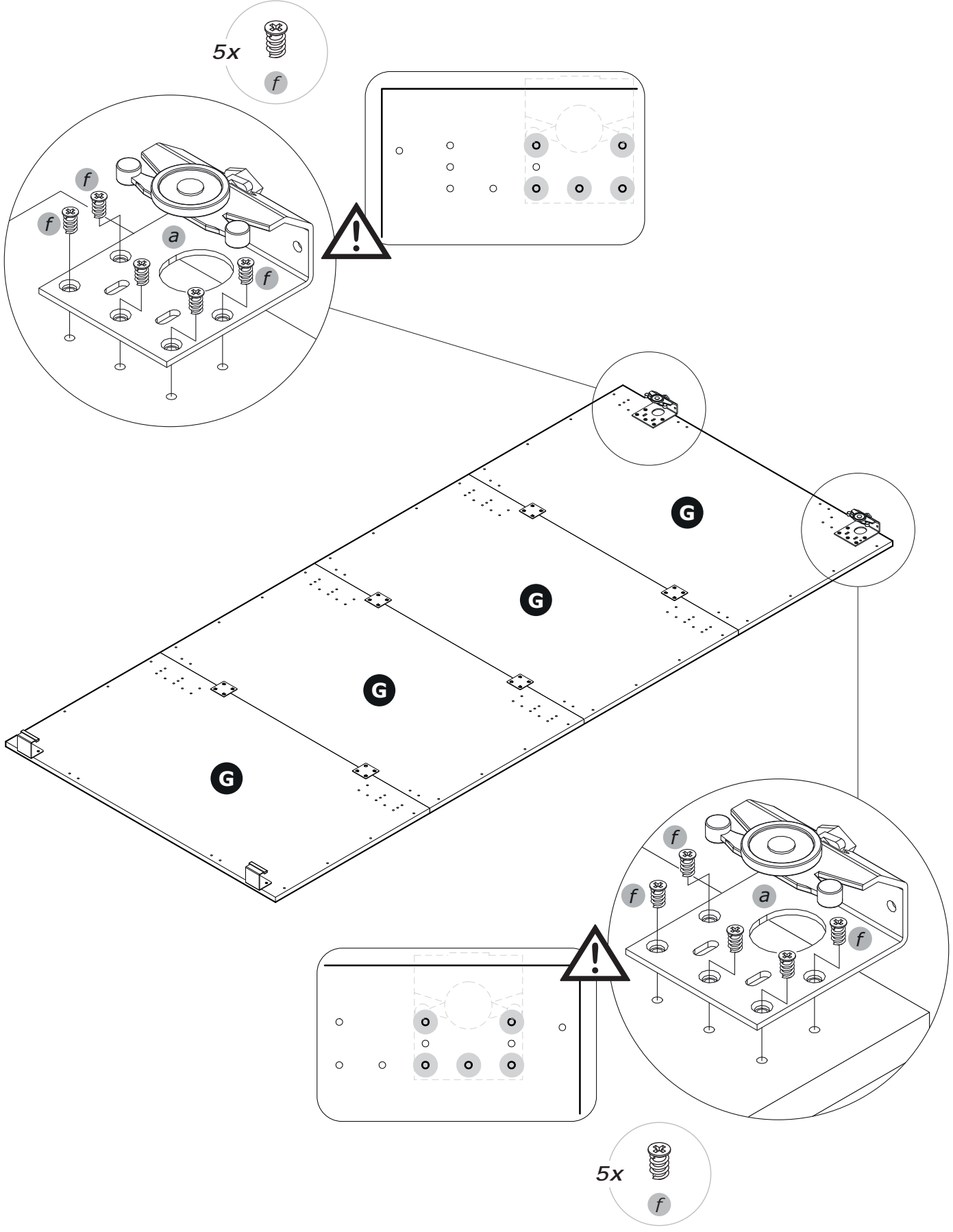
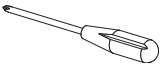


B

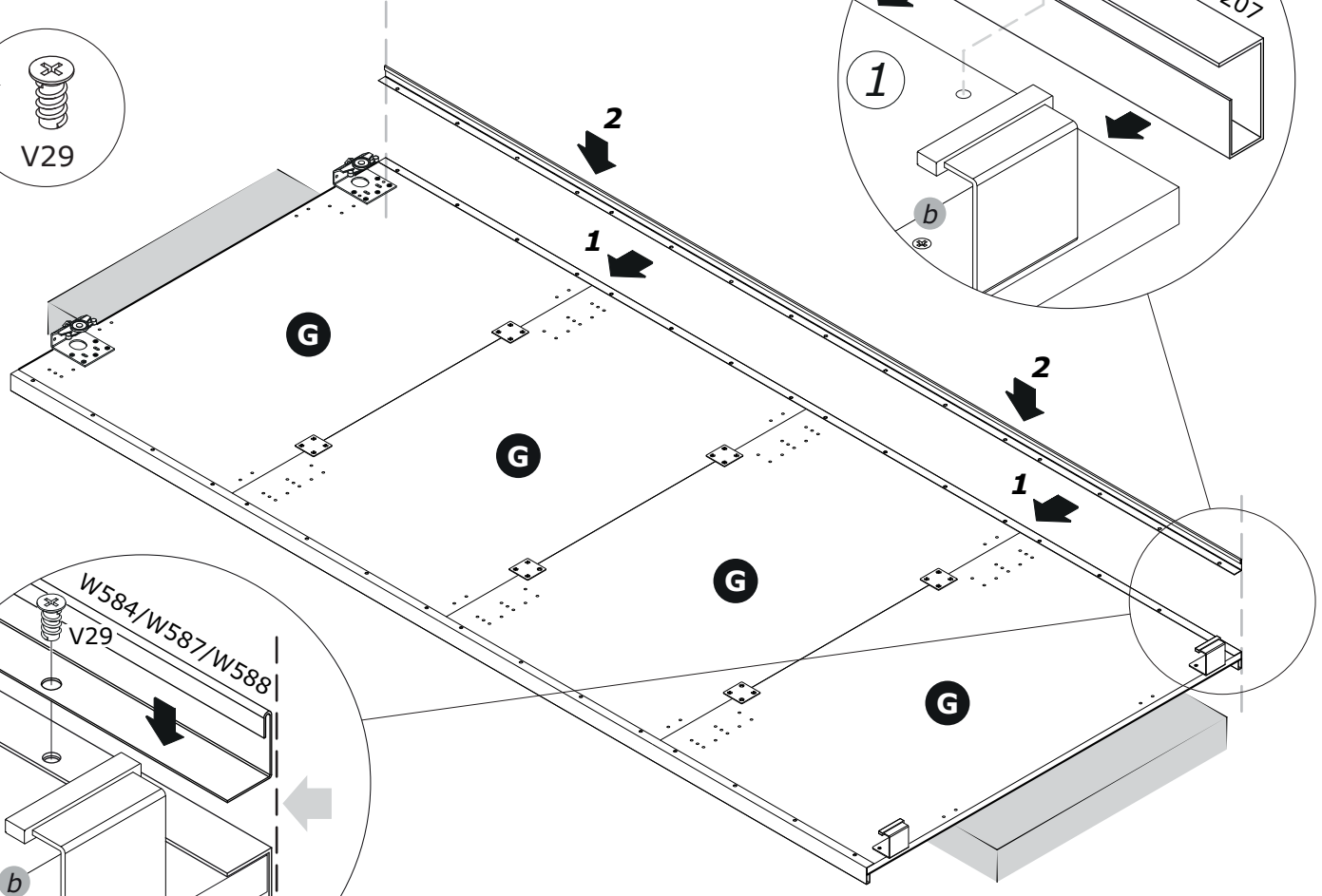
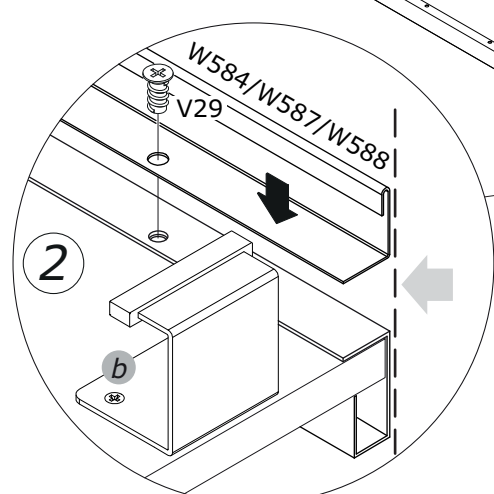
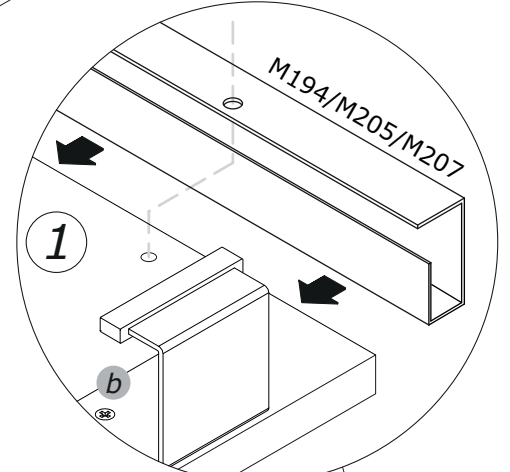
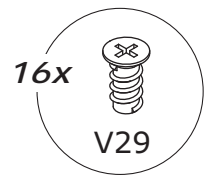
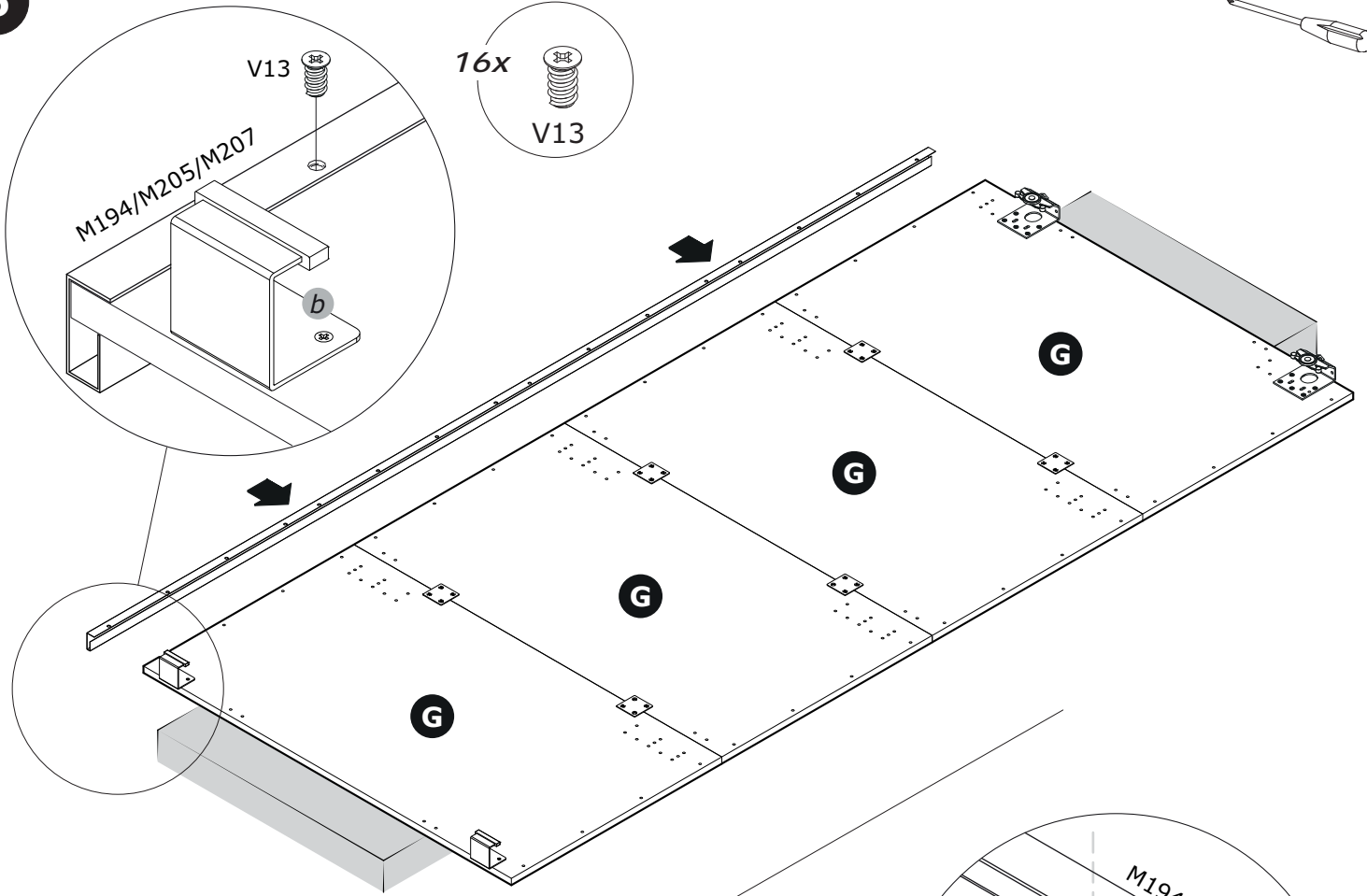
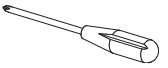


4

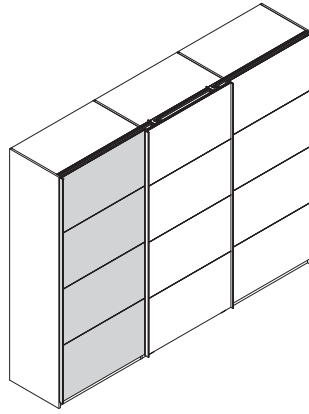




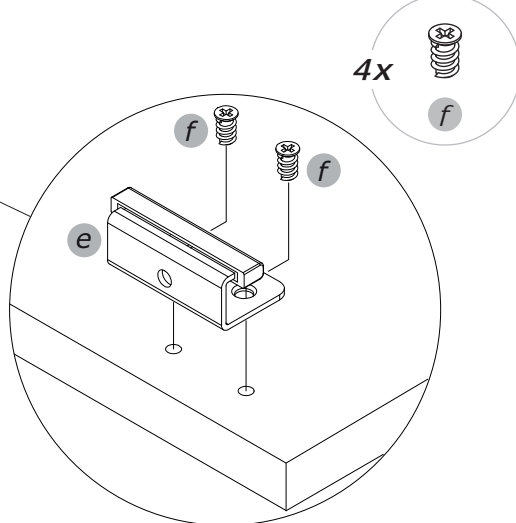
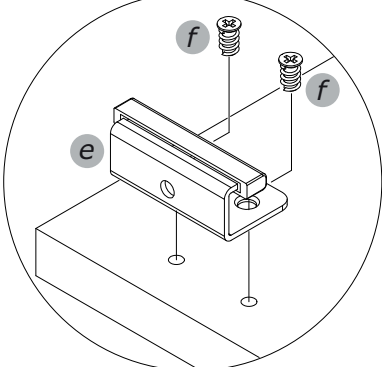
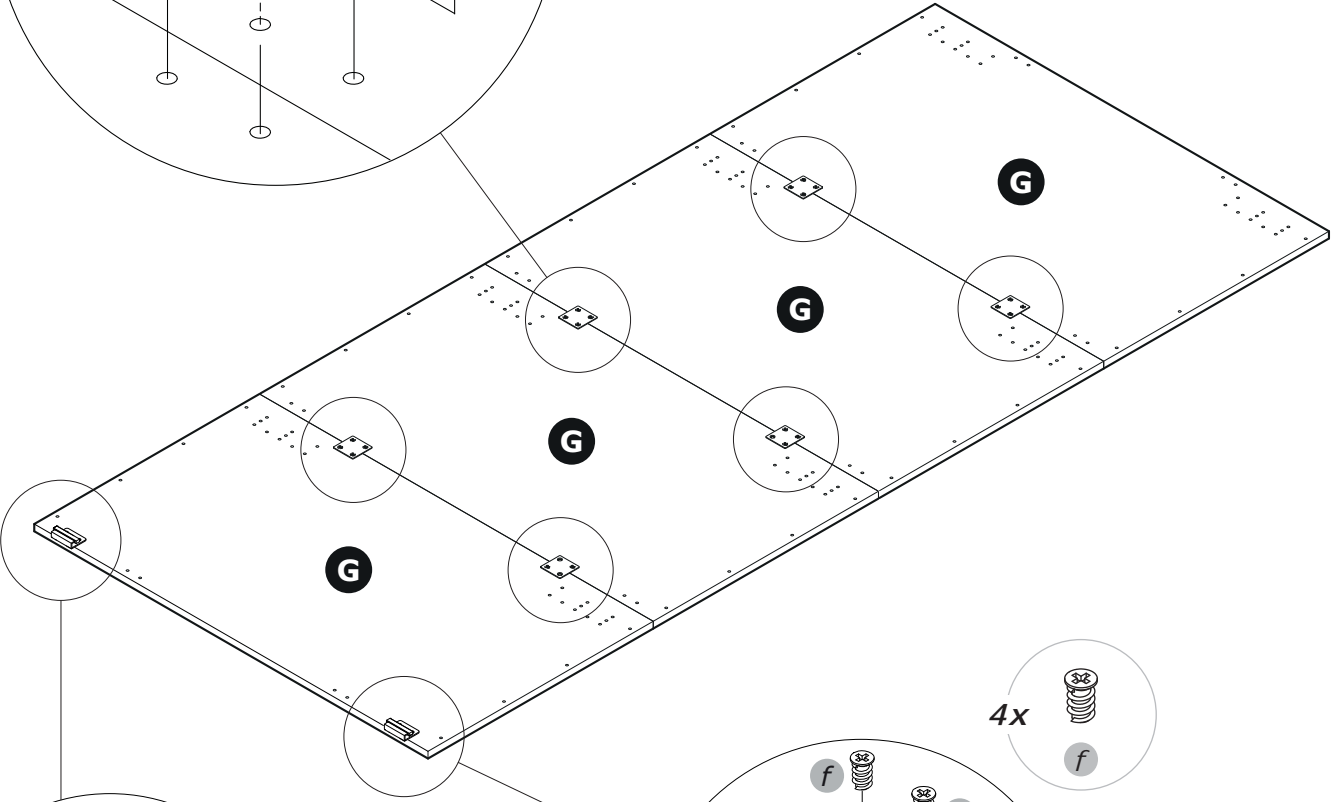
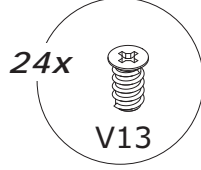
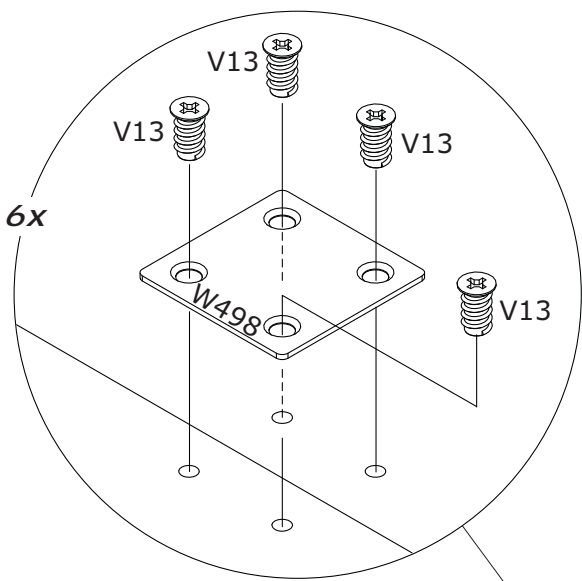
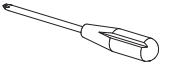
6

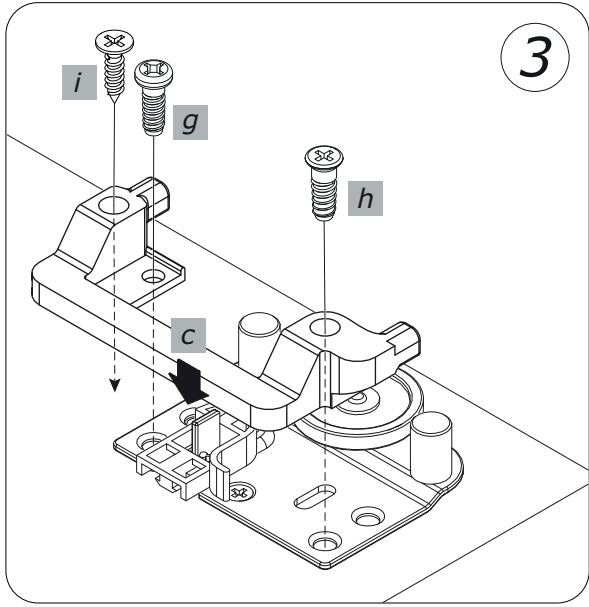
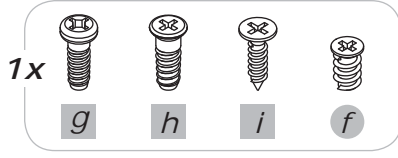
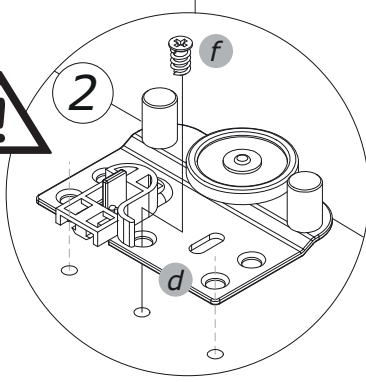
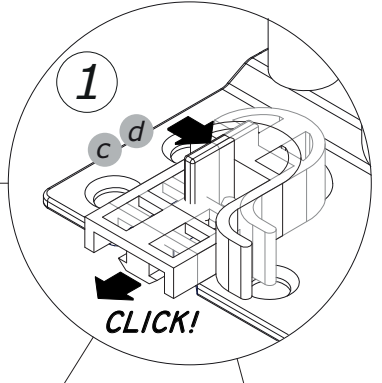
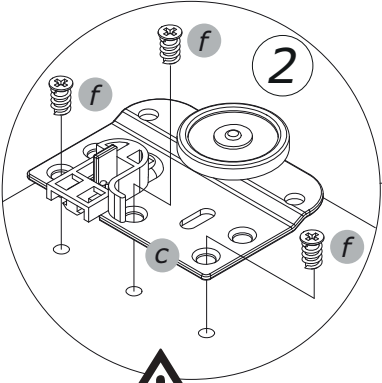
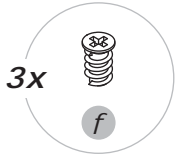
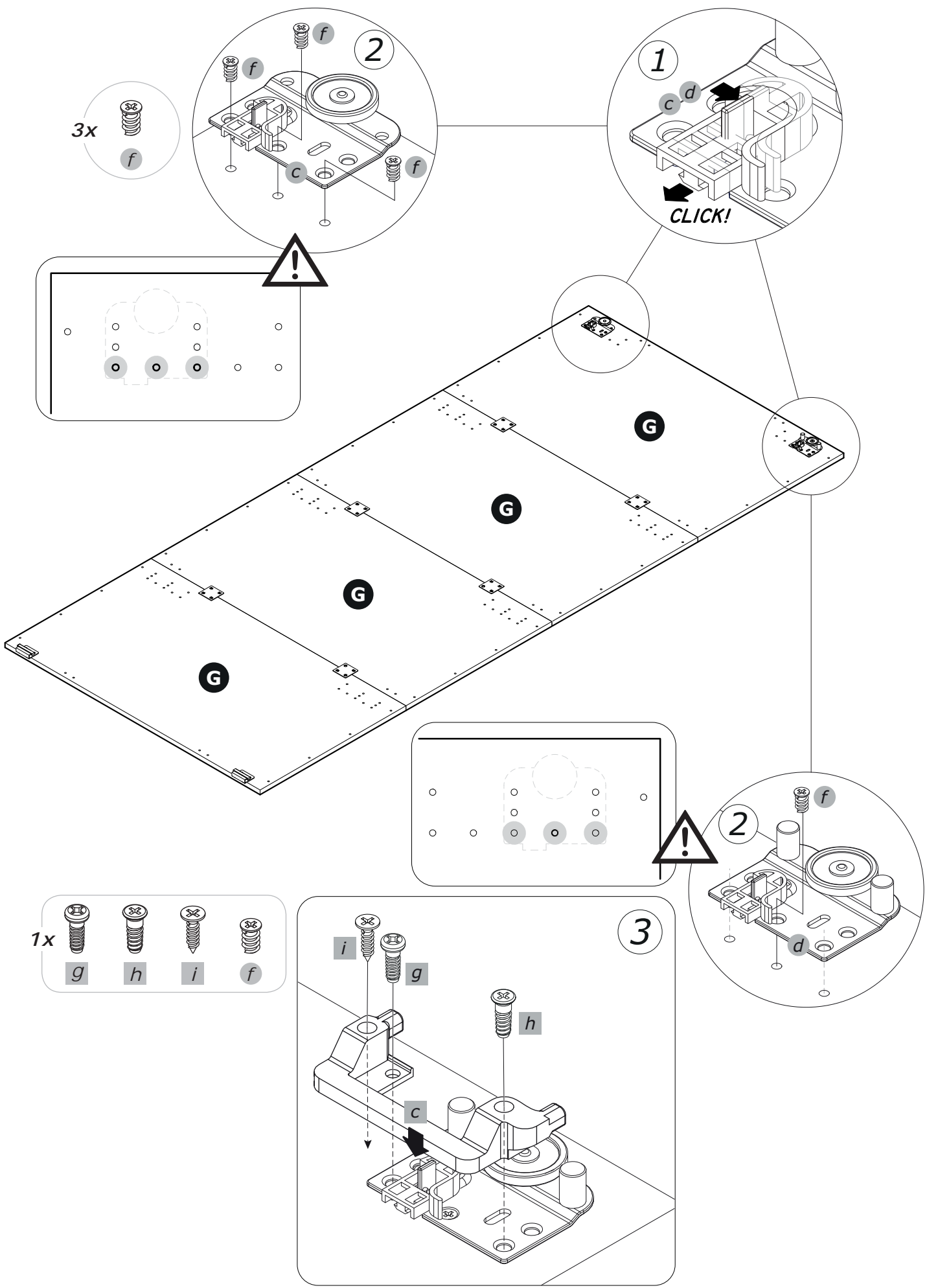
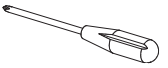


C

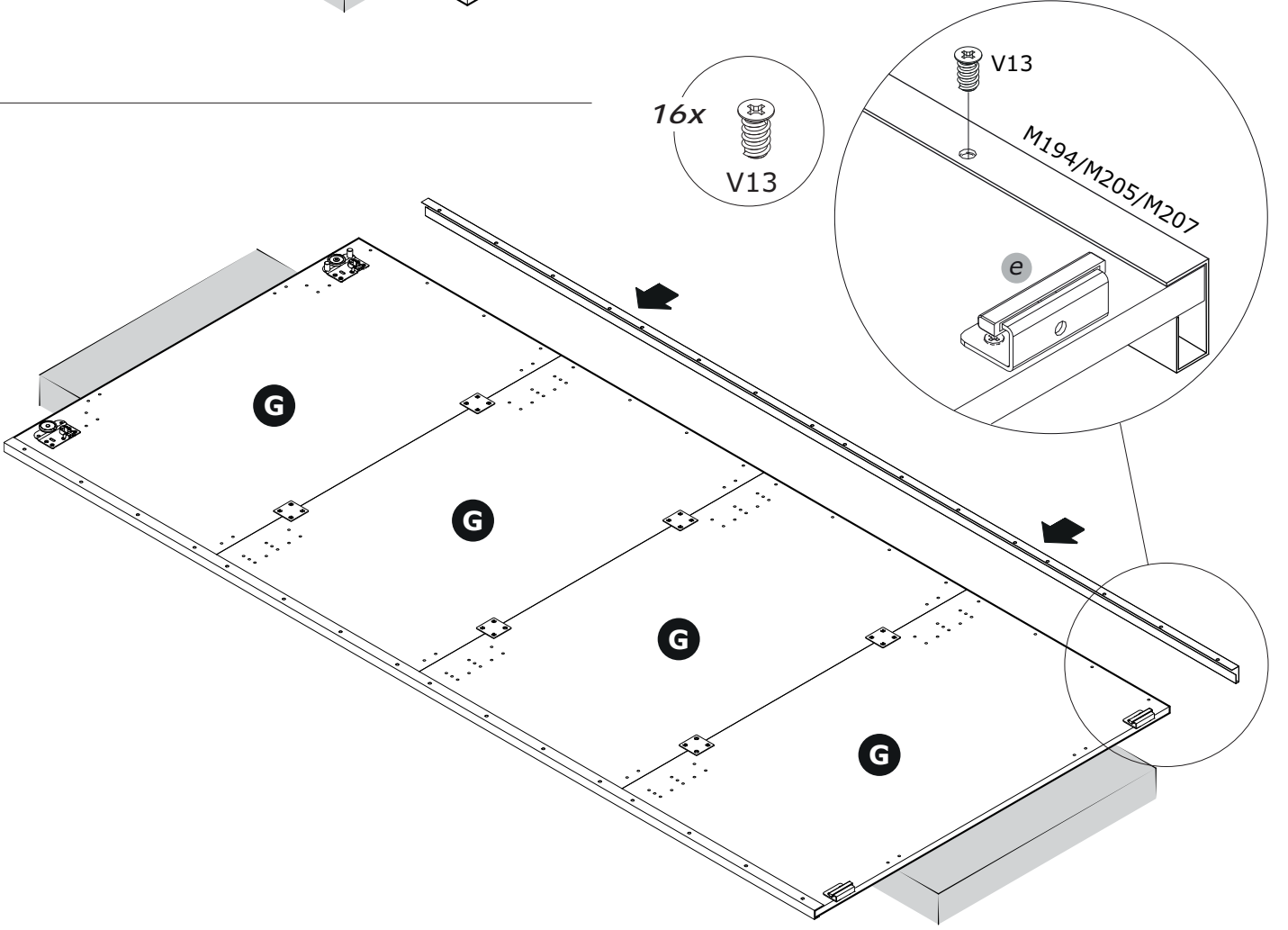
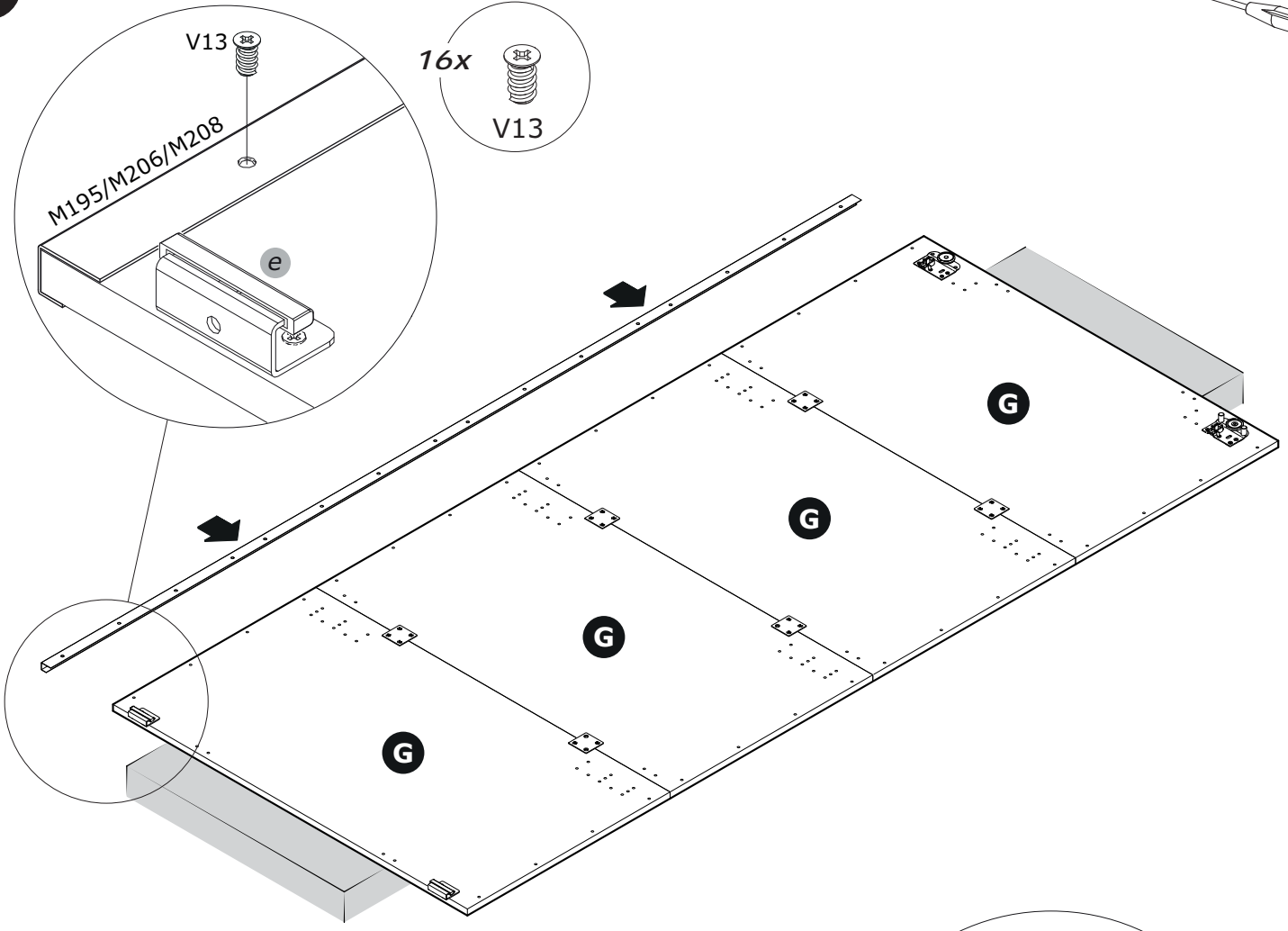
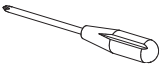


7

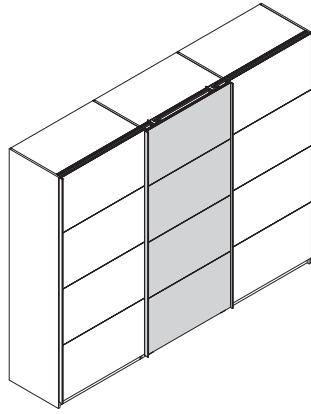




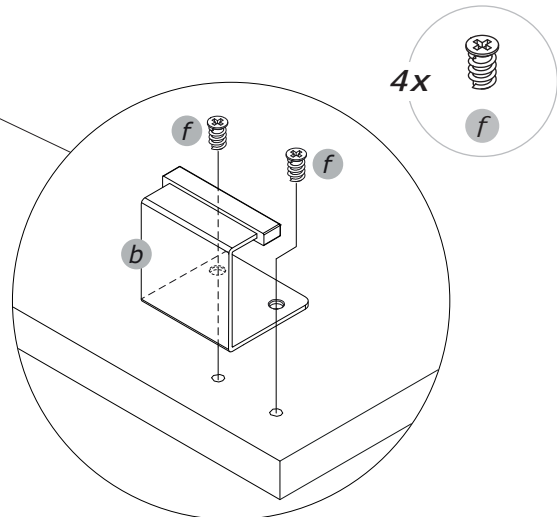
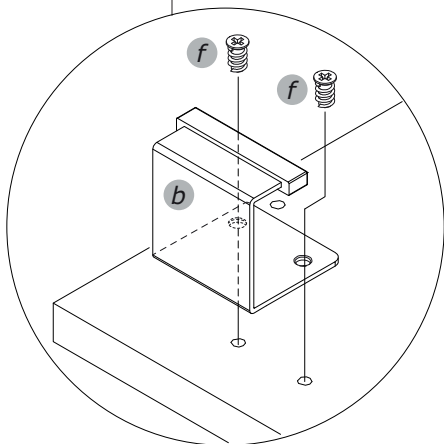
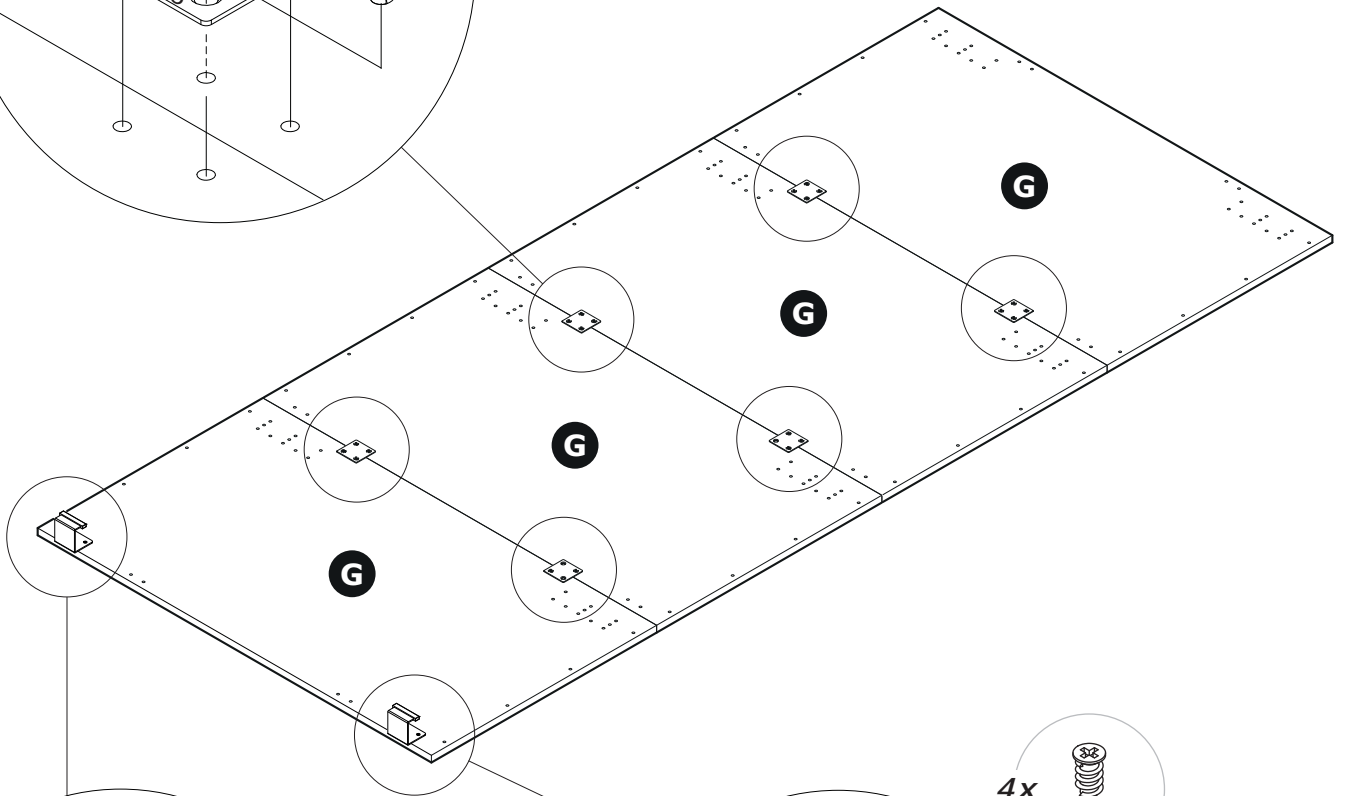
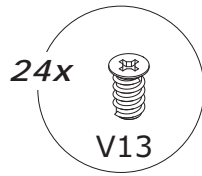
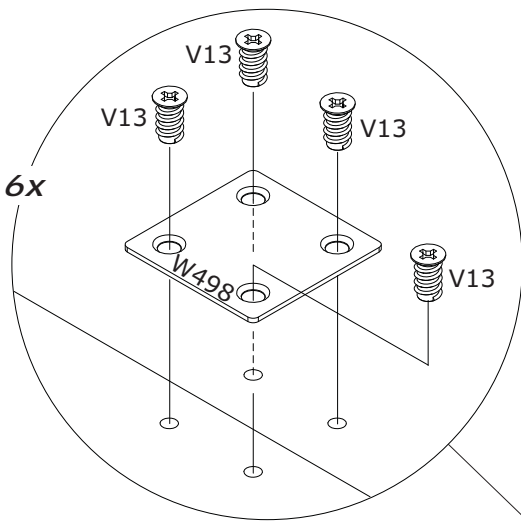
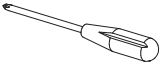
9

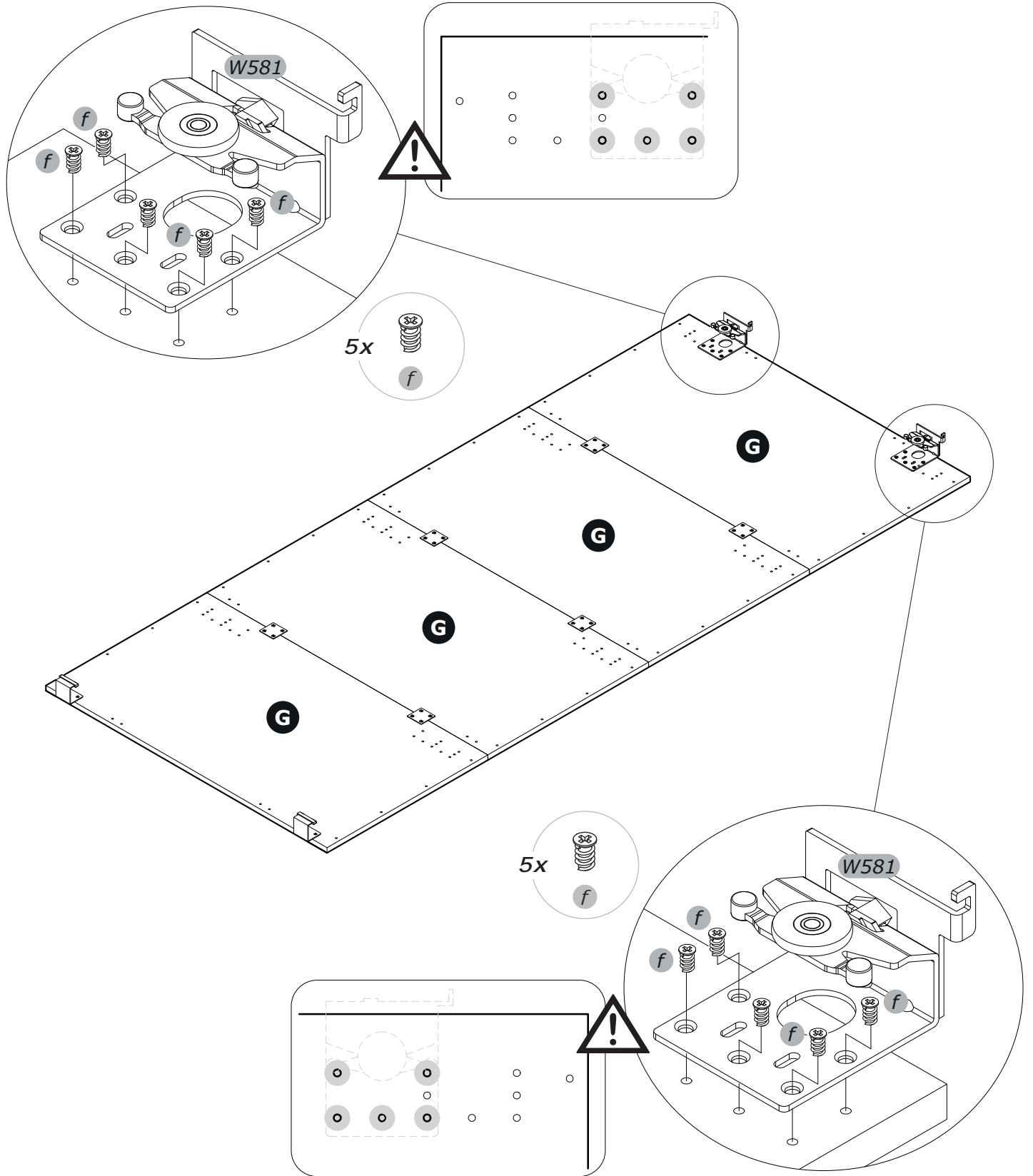
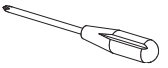


D

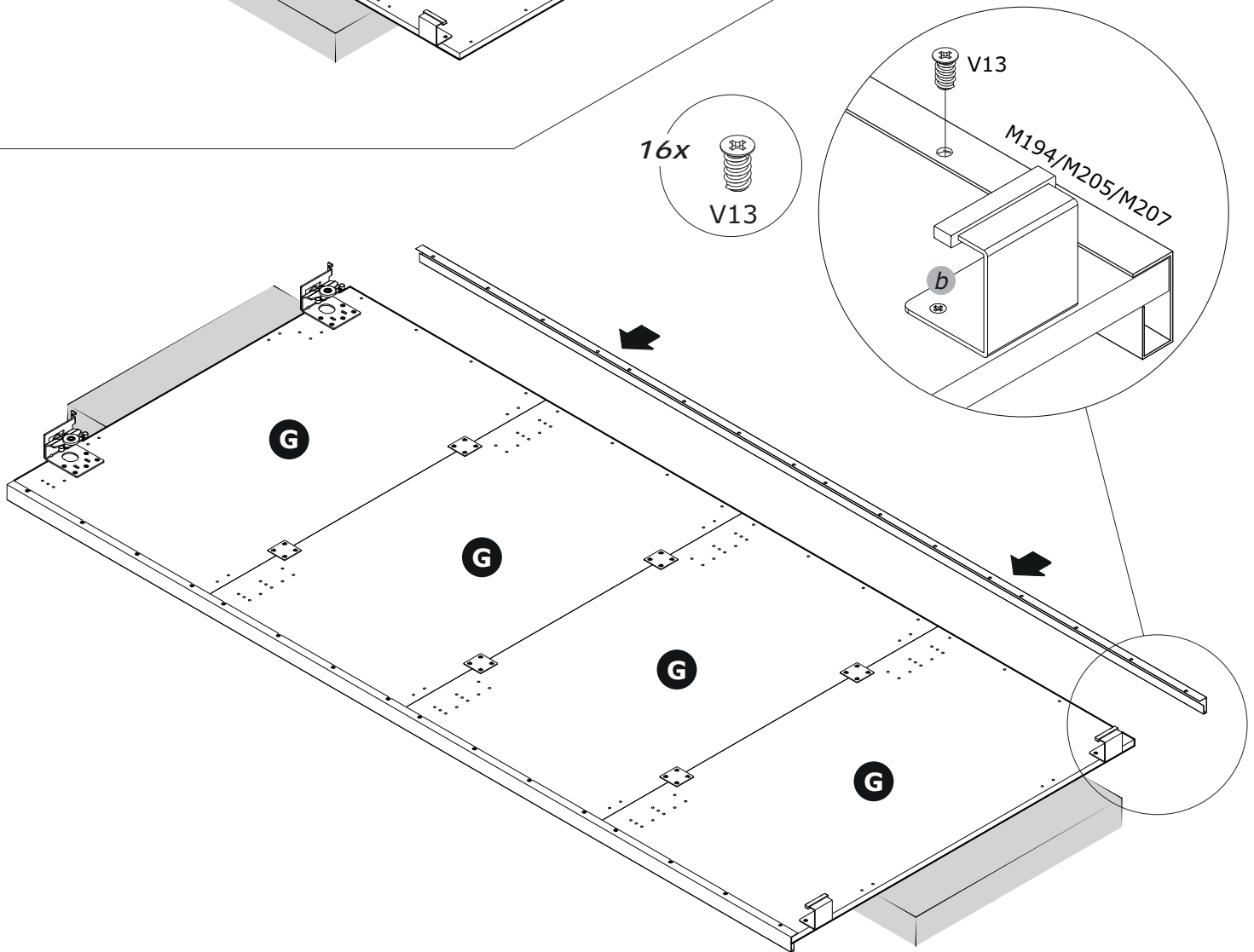
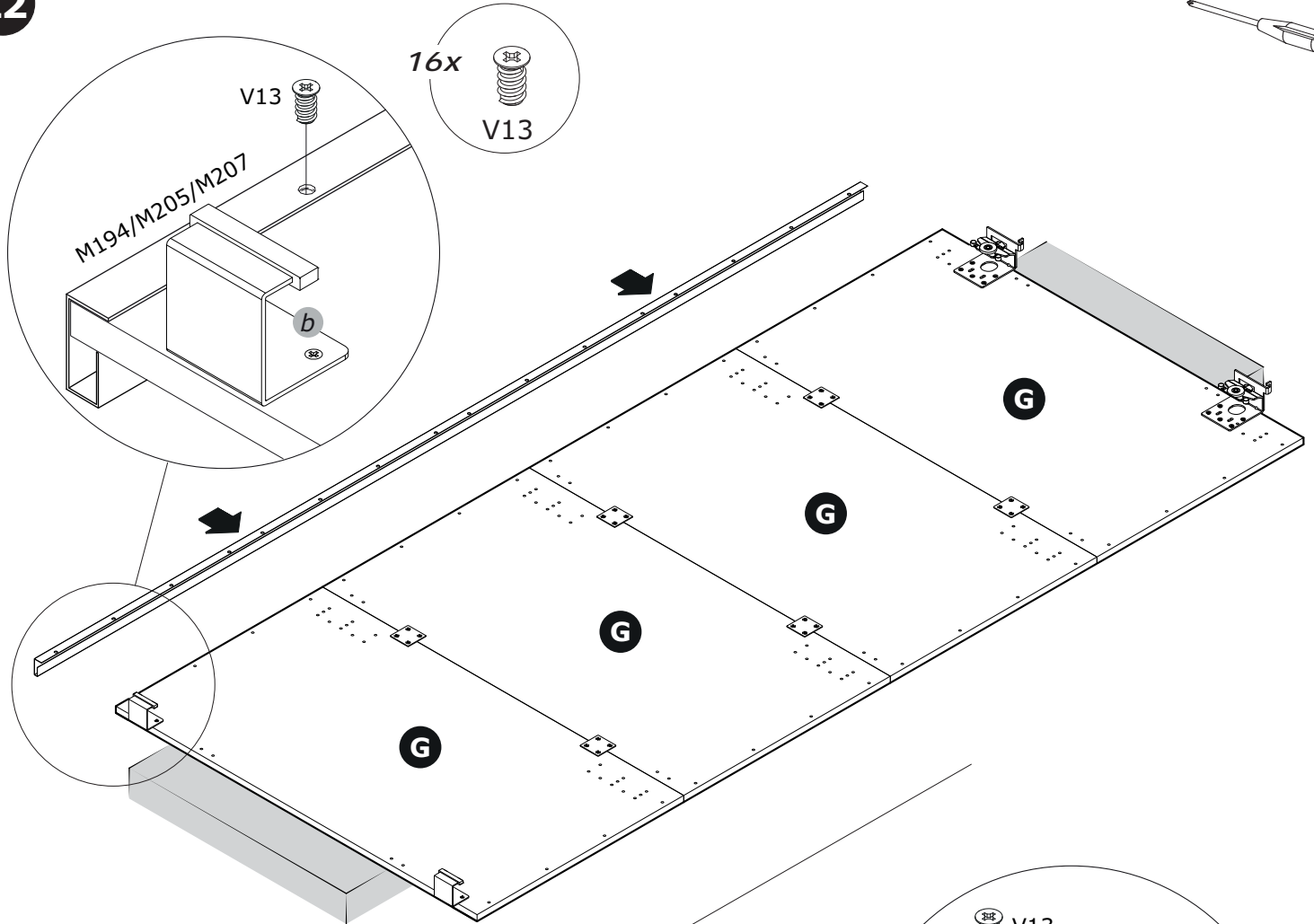
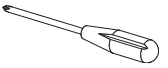


10

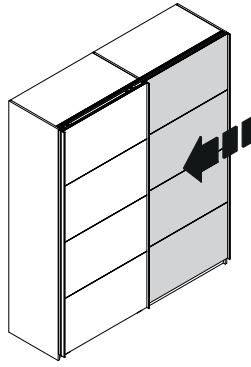




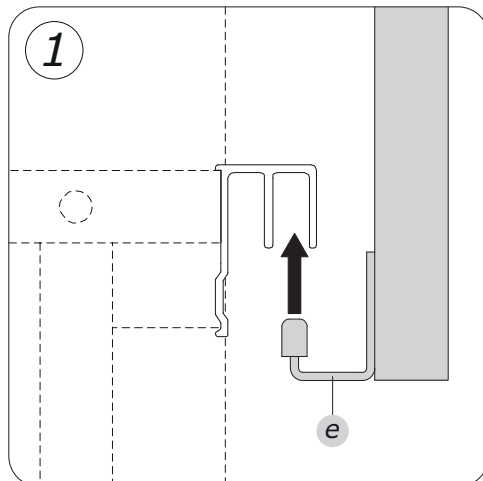
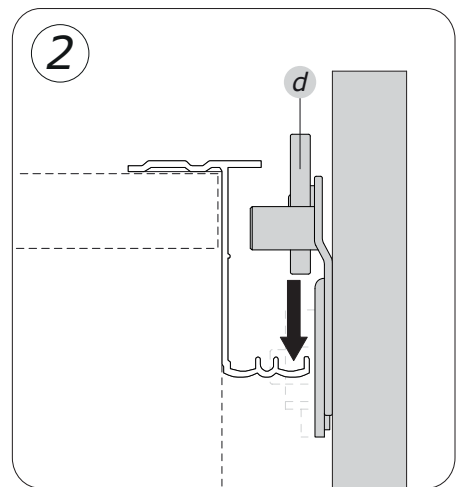
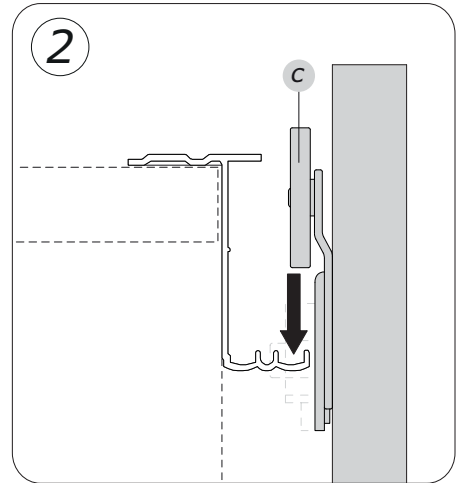
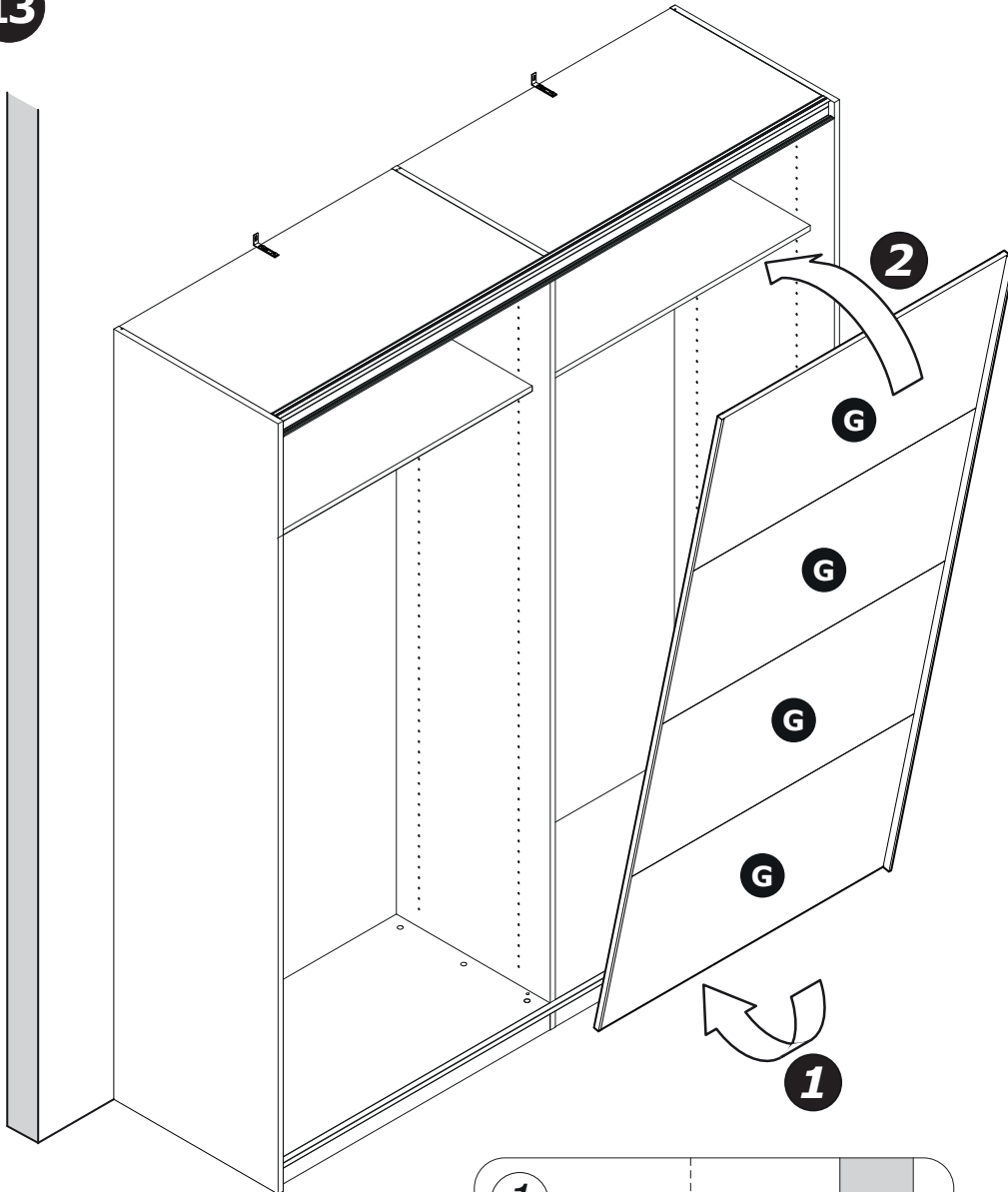
12

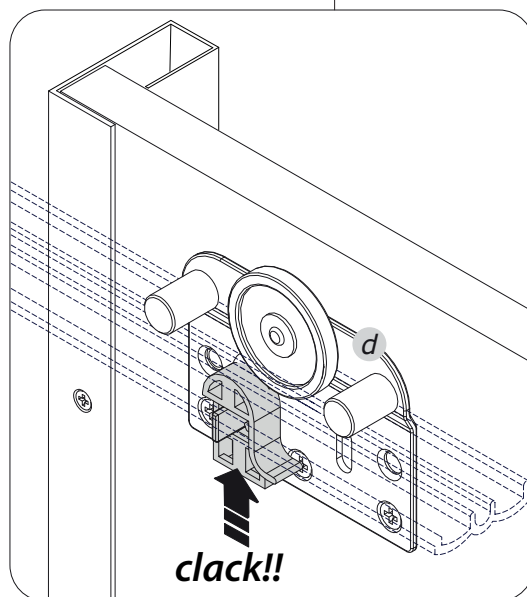
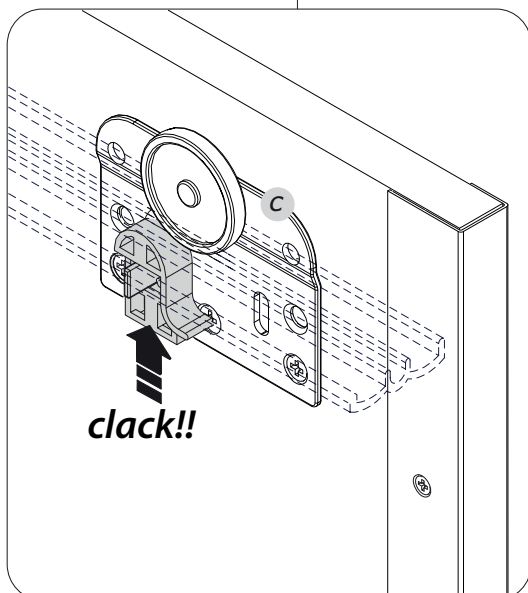
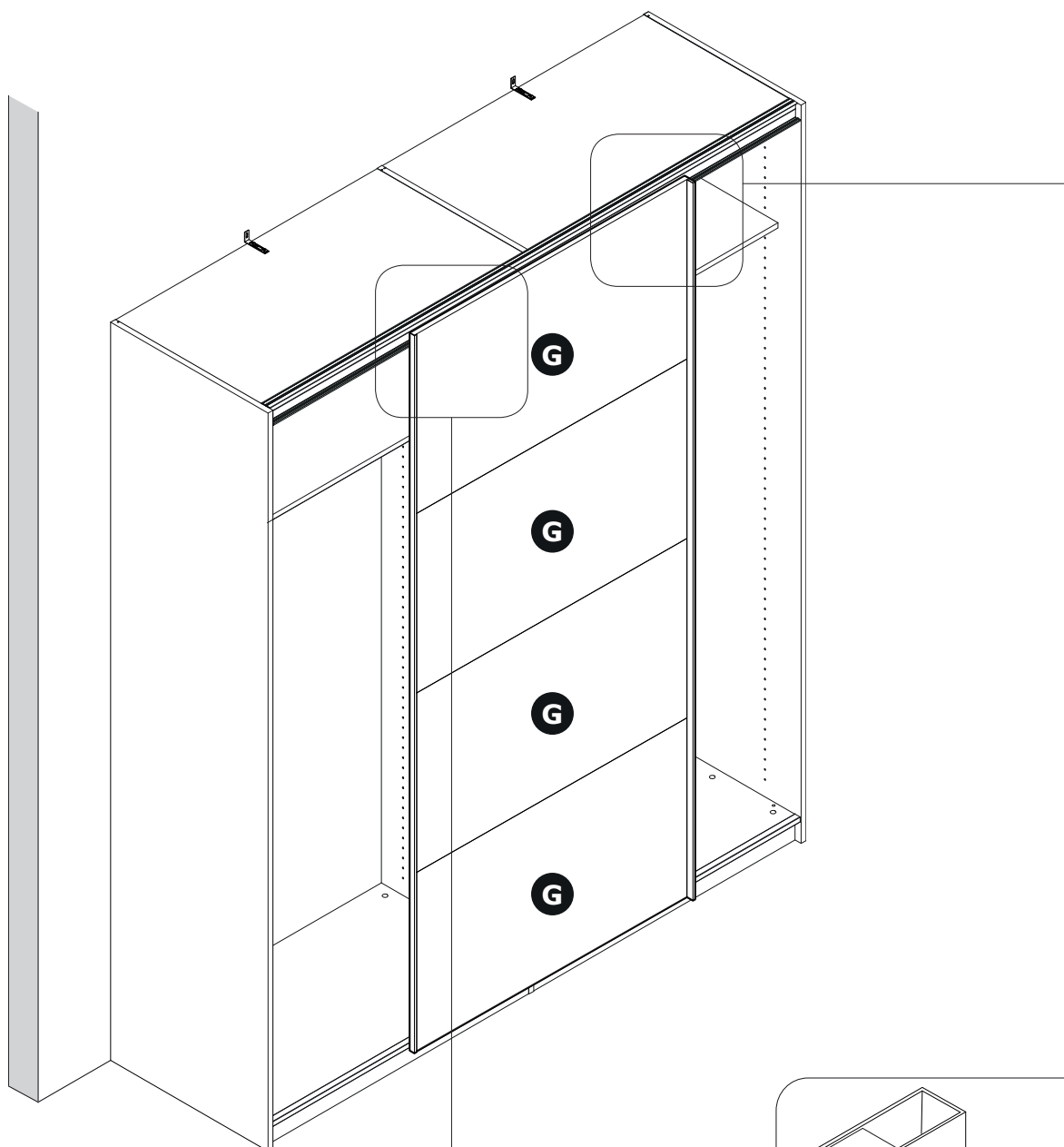


A

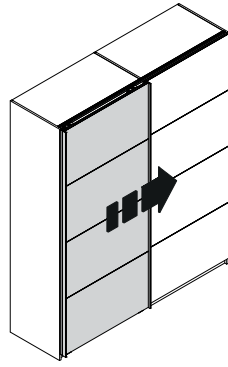


13

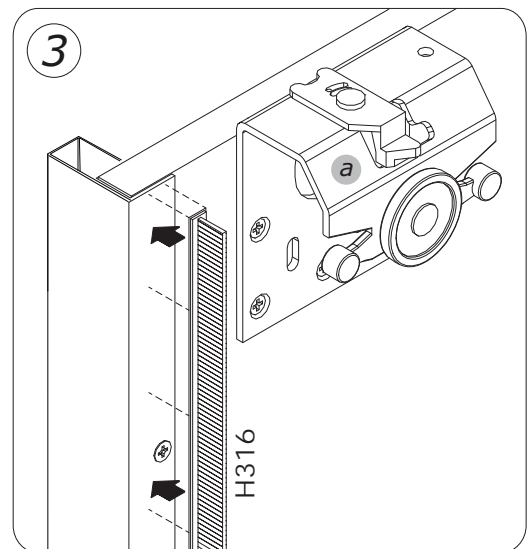
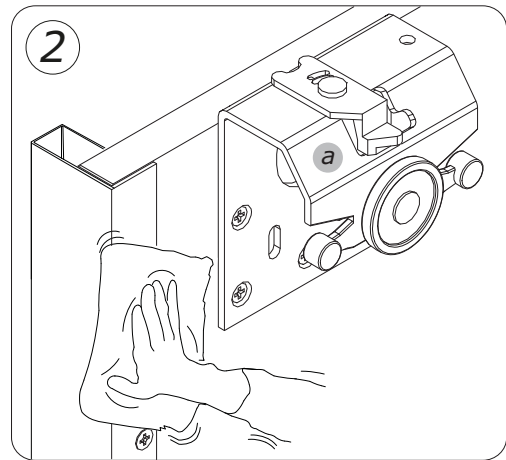
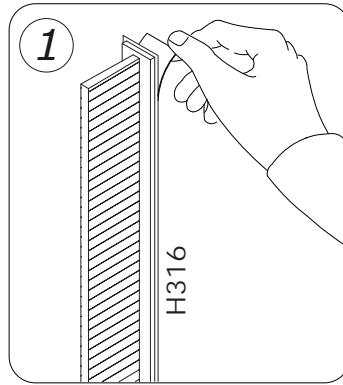
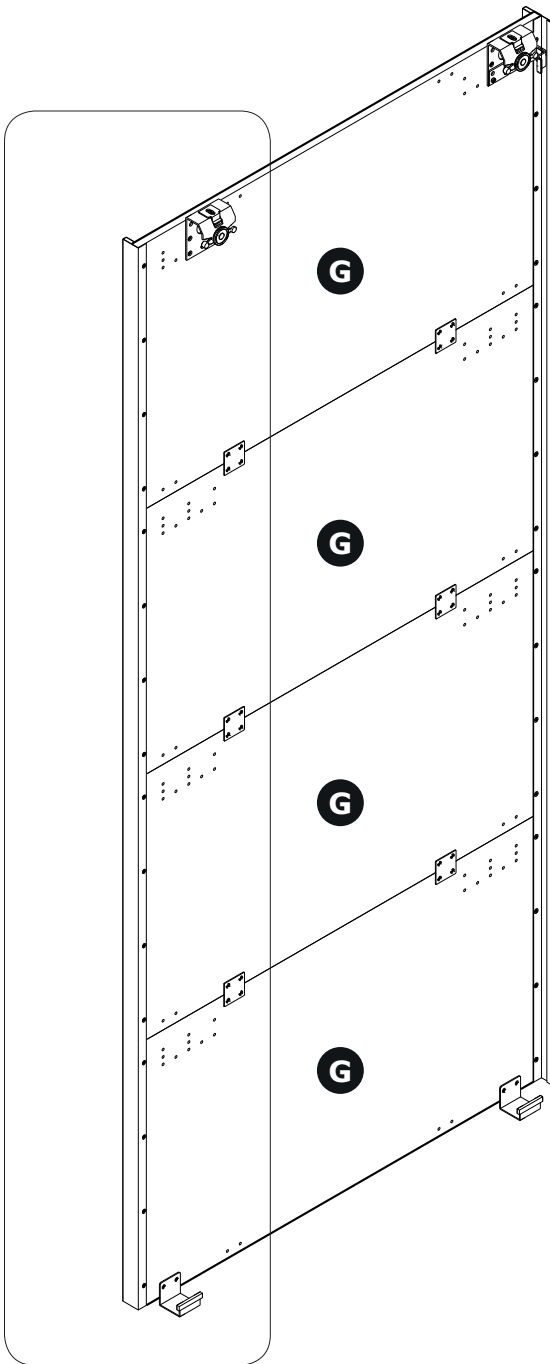


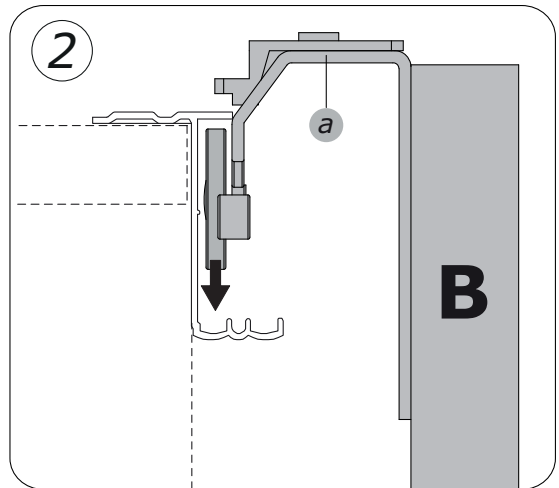
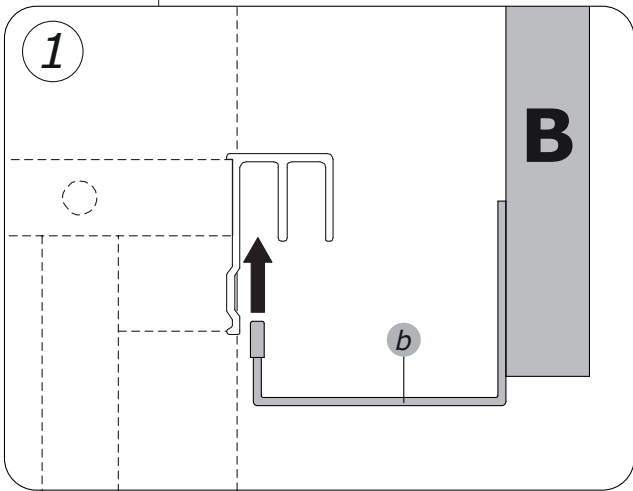
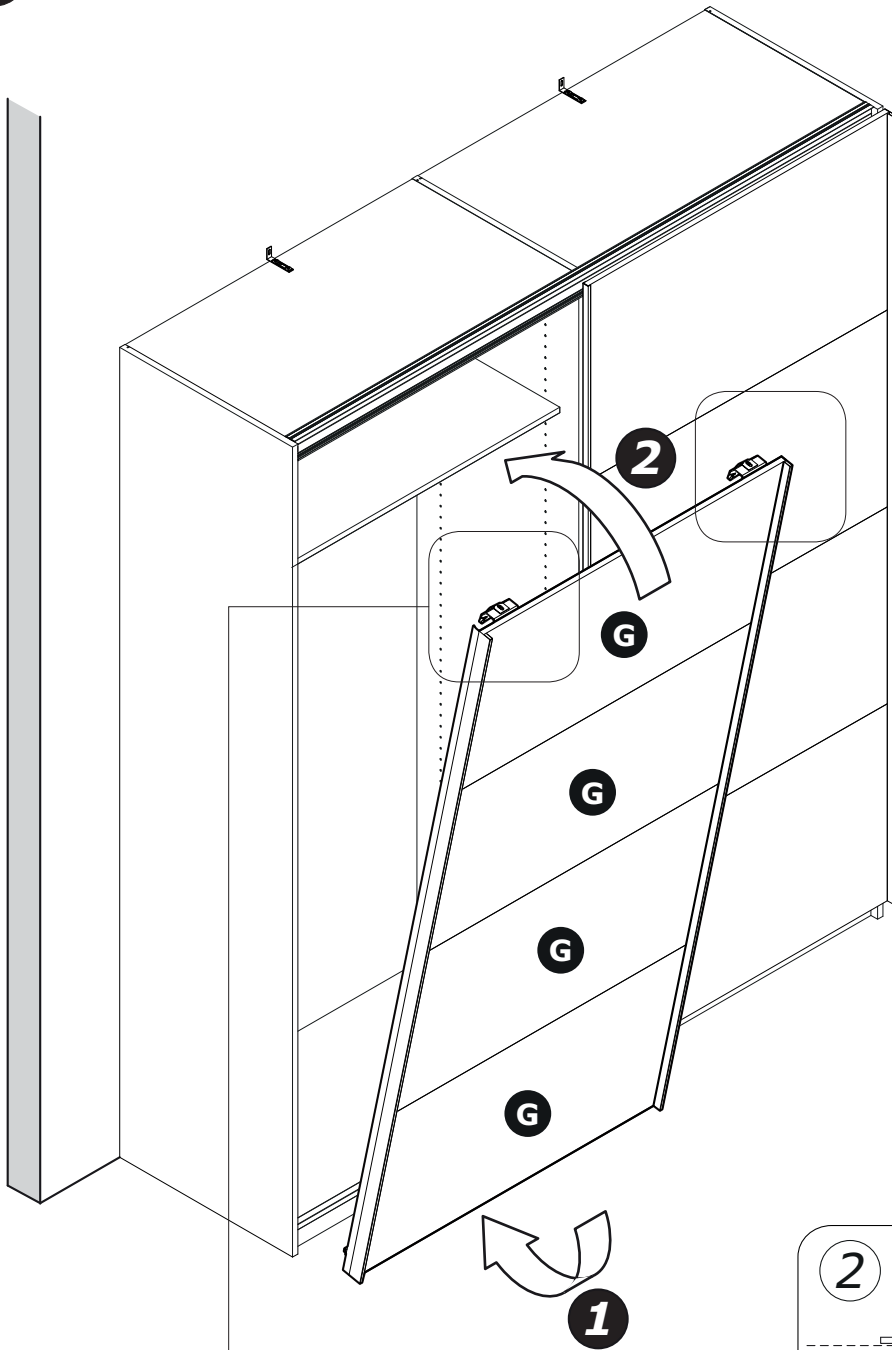


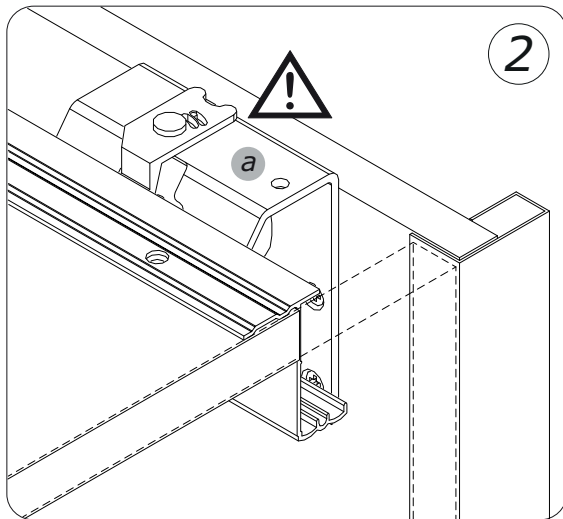
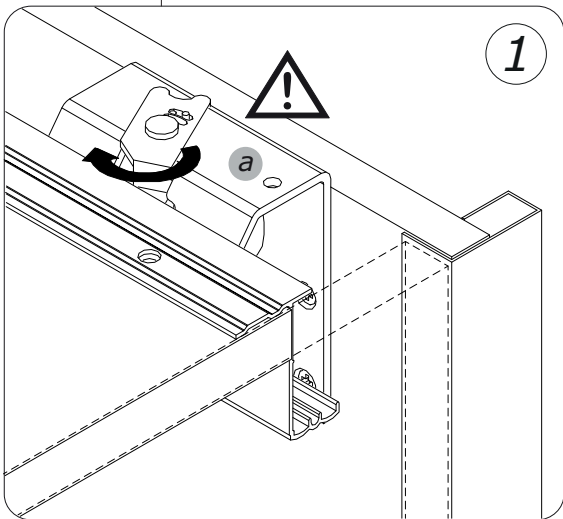
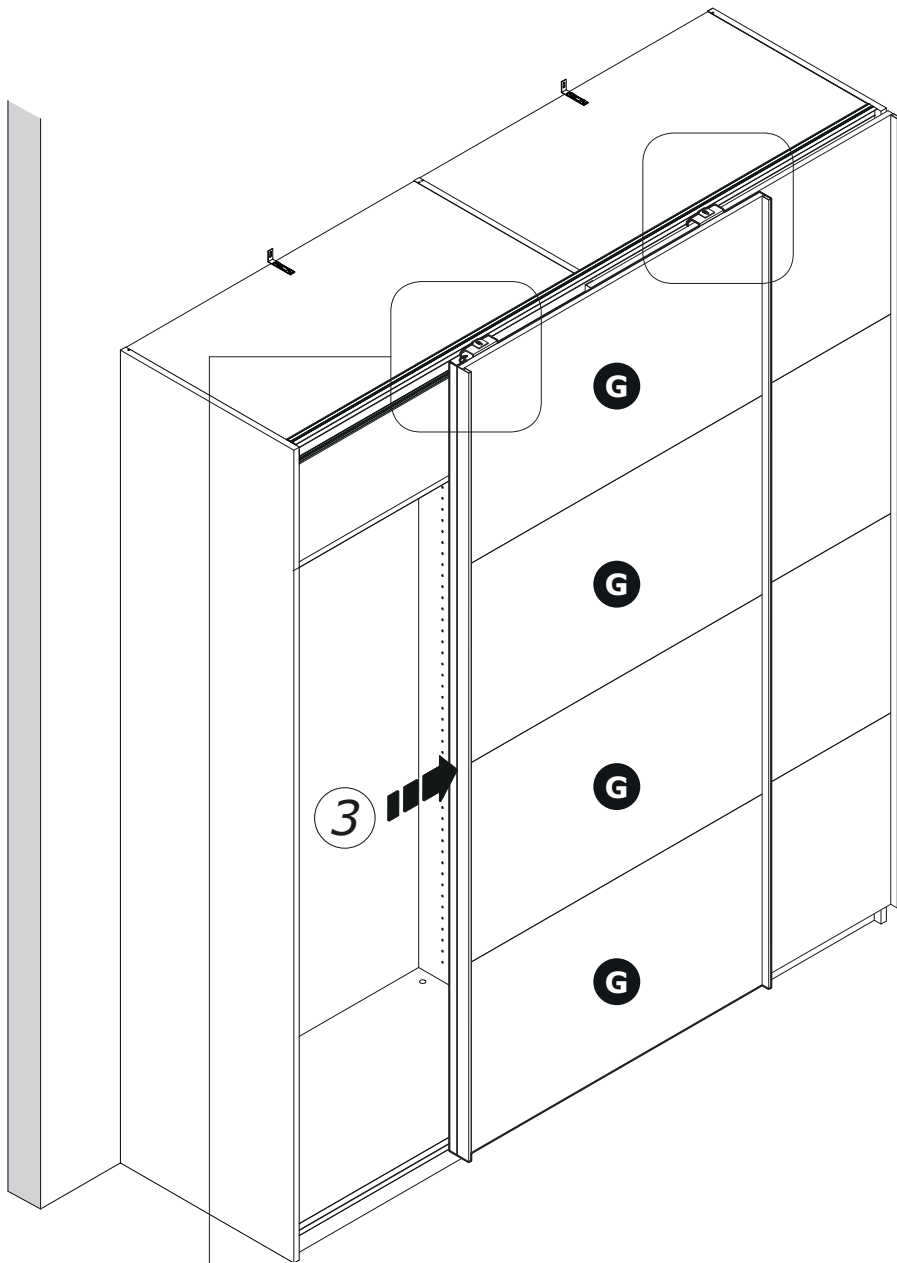
B

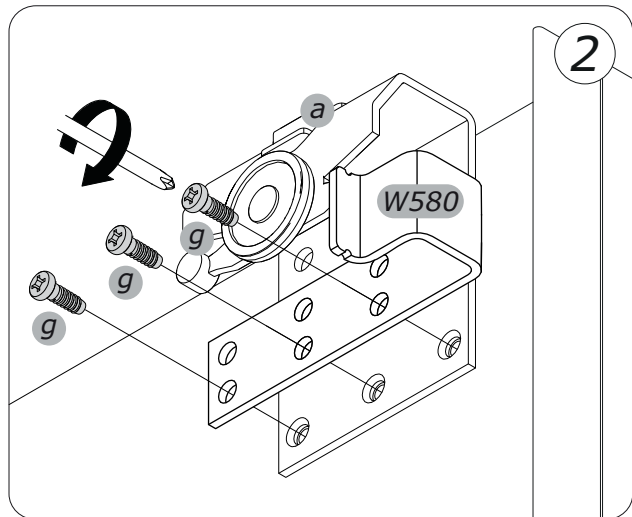
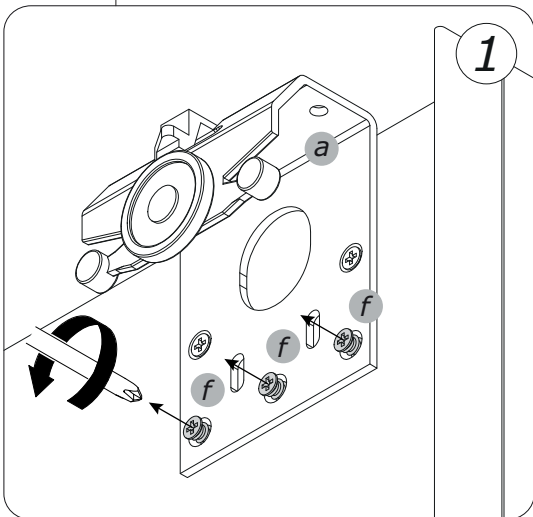
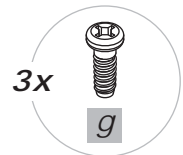
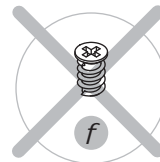
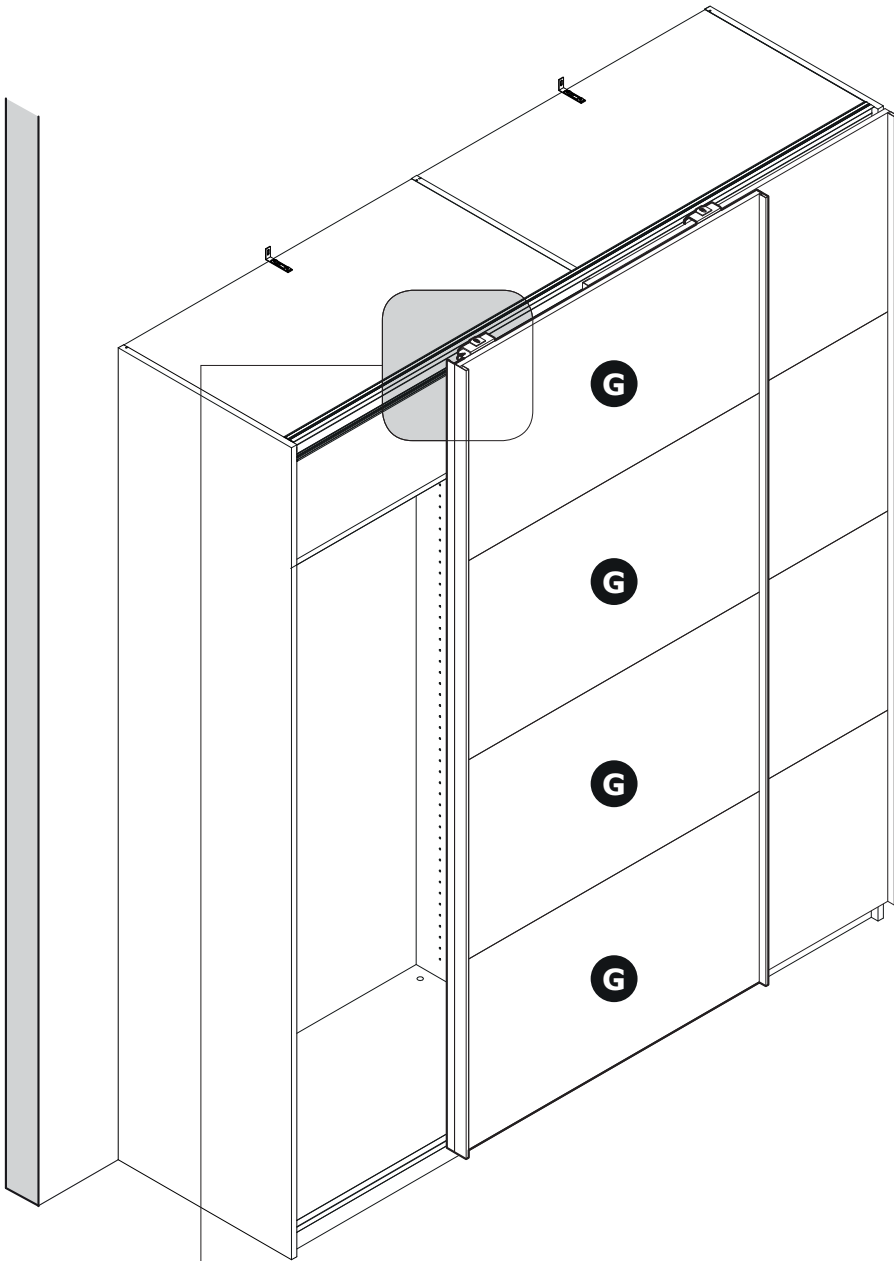
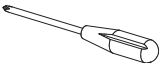


15

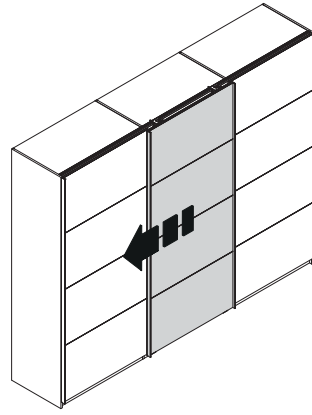
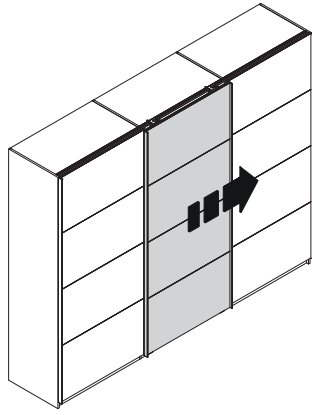




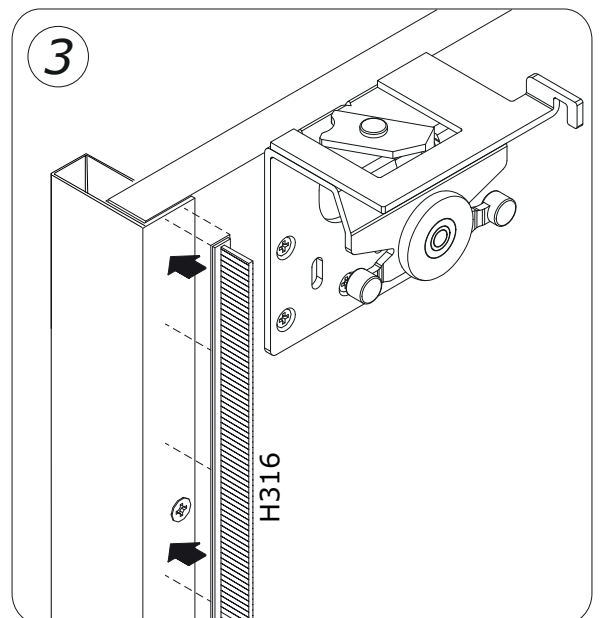
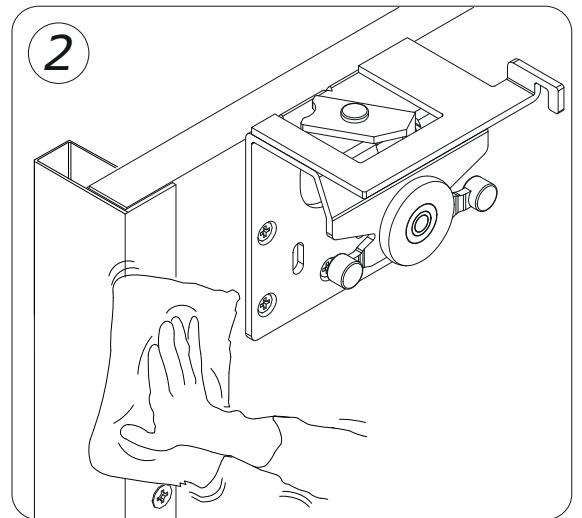
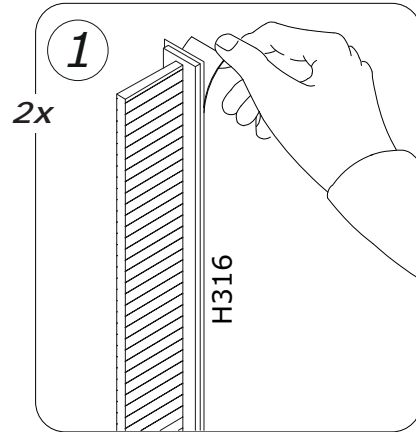
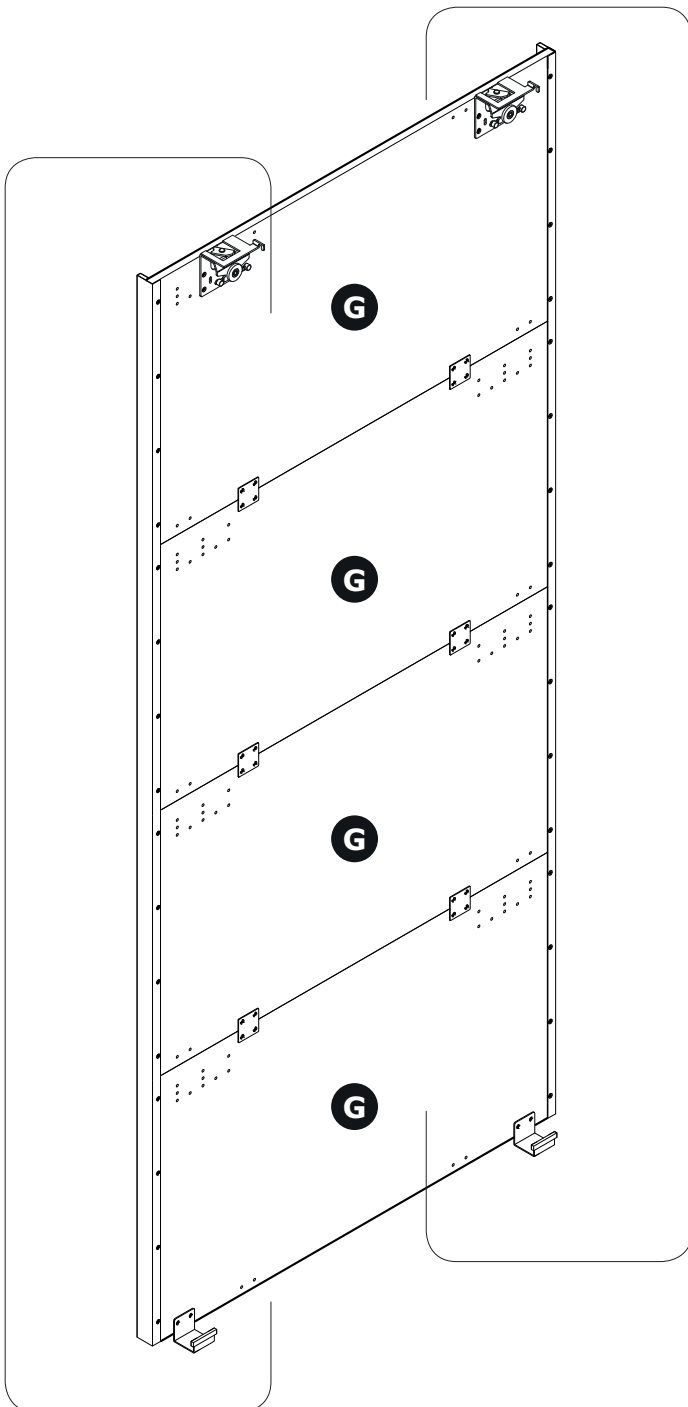


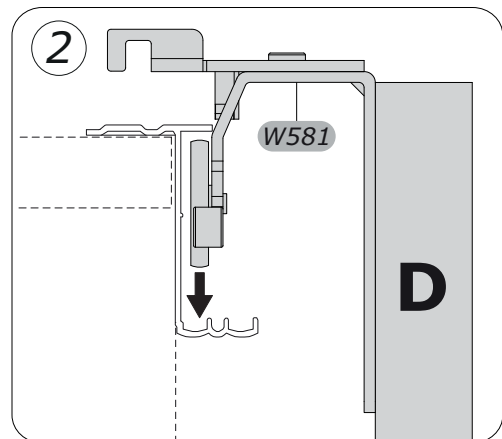
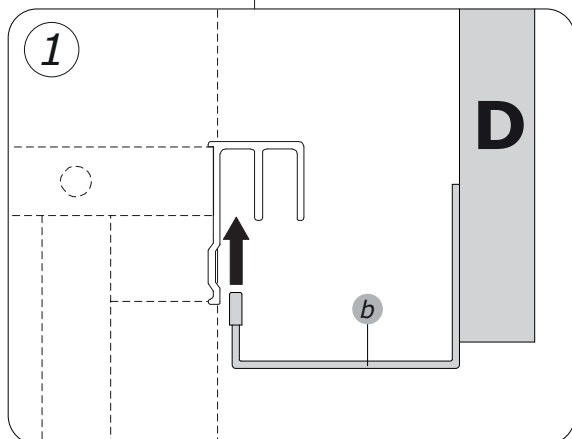
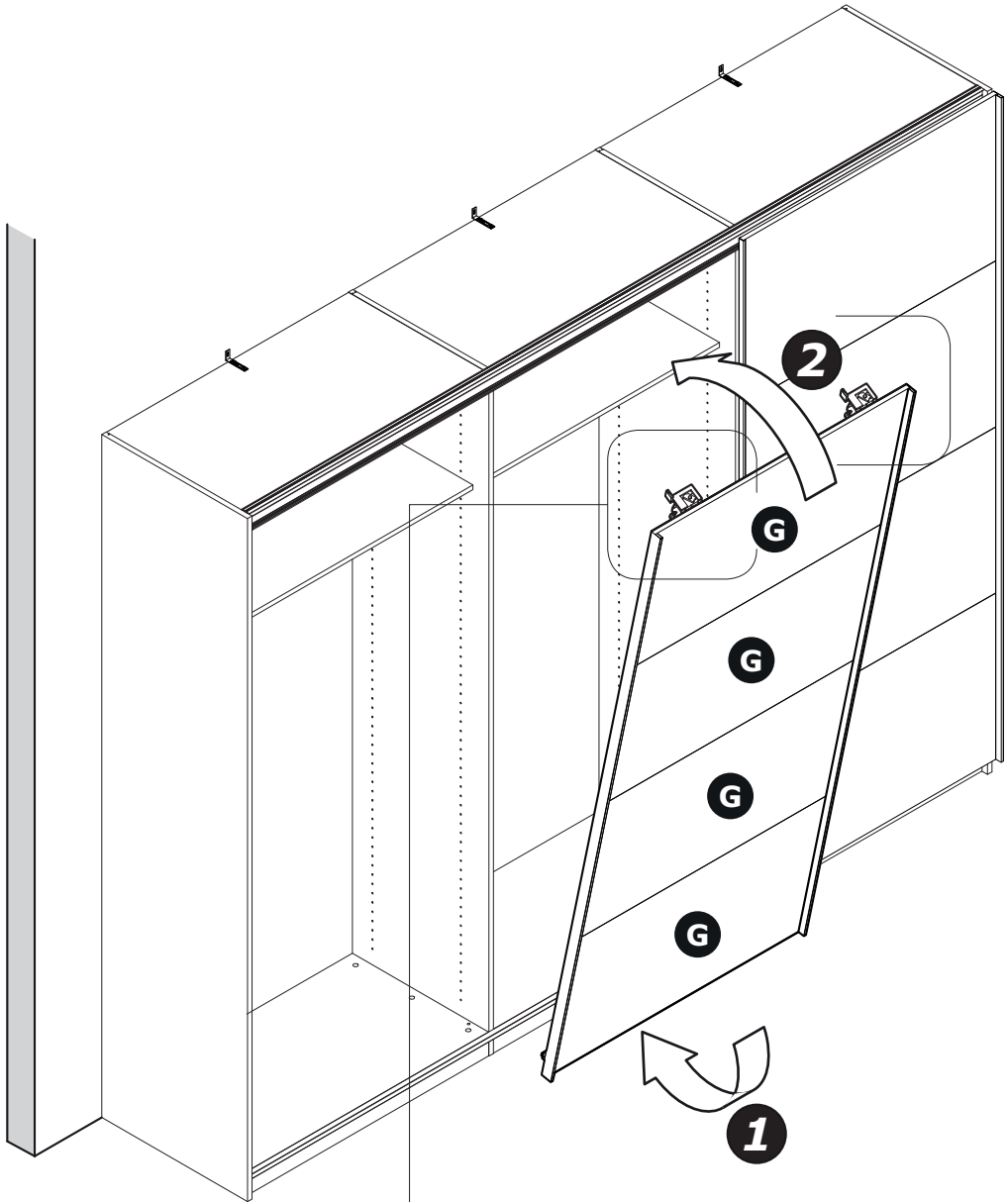


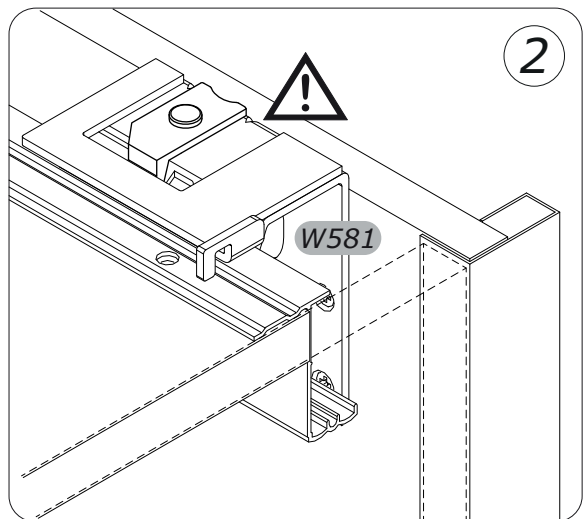
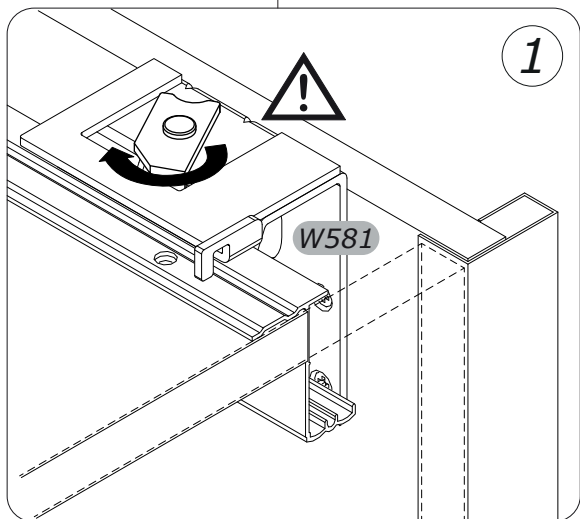
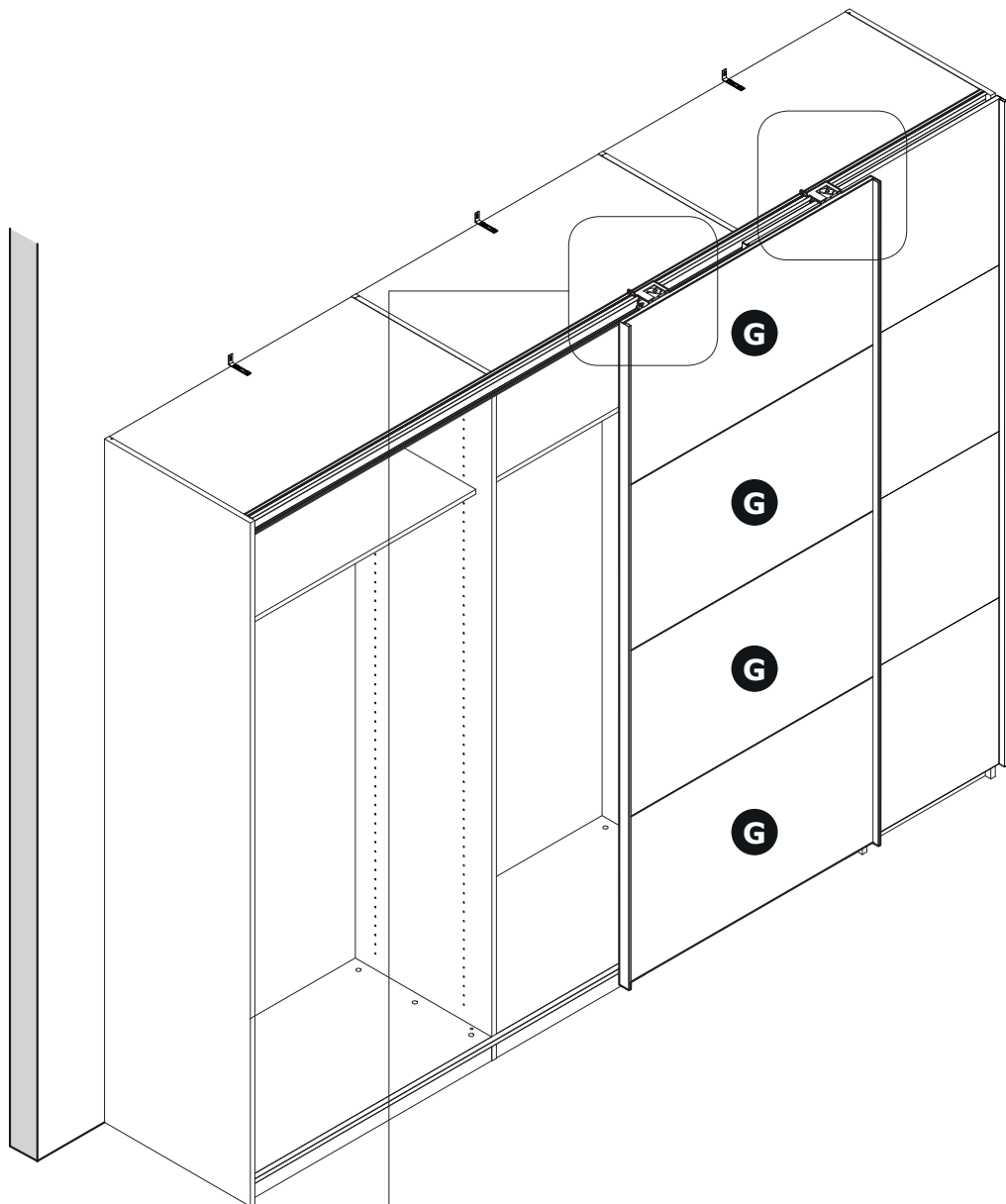
D



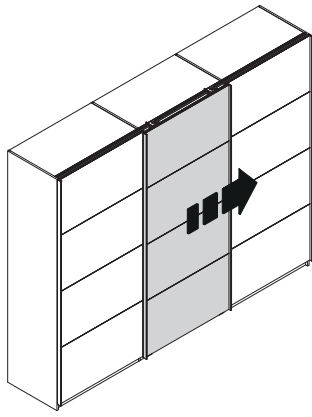
19



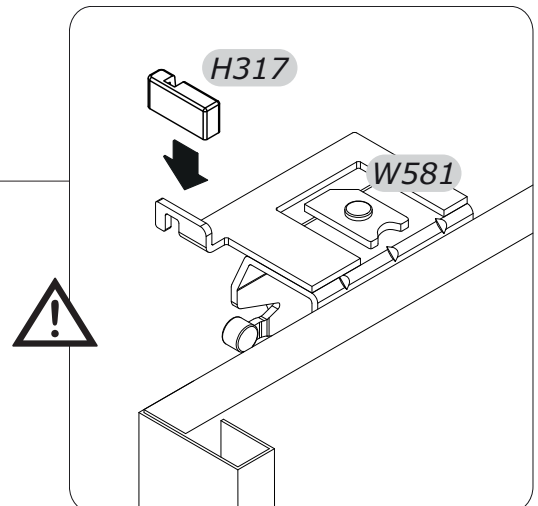
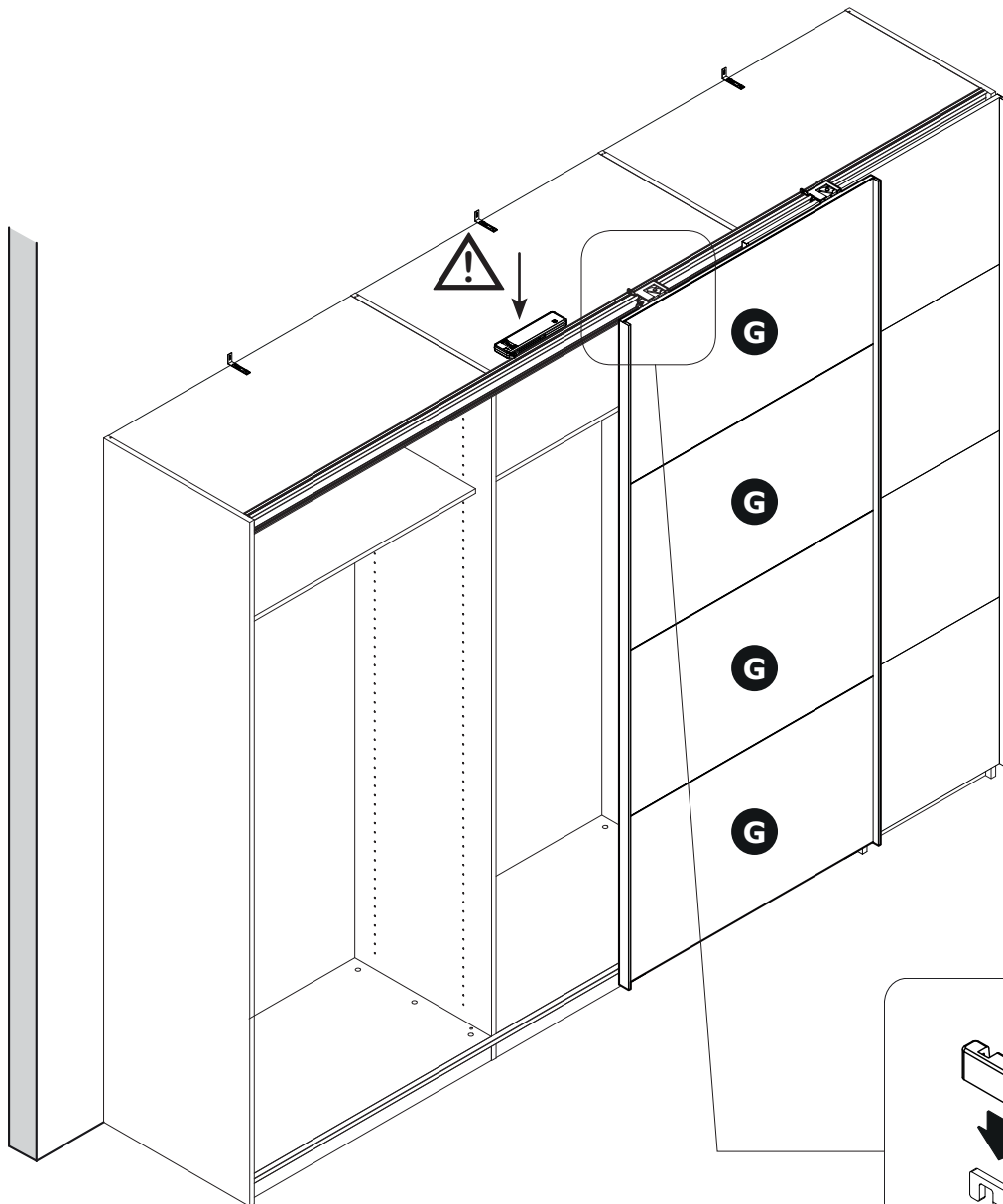




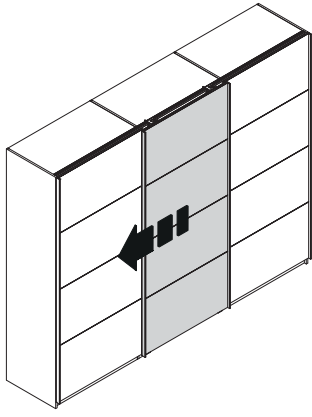
D1



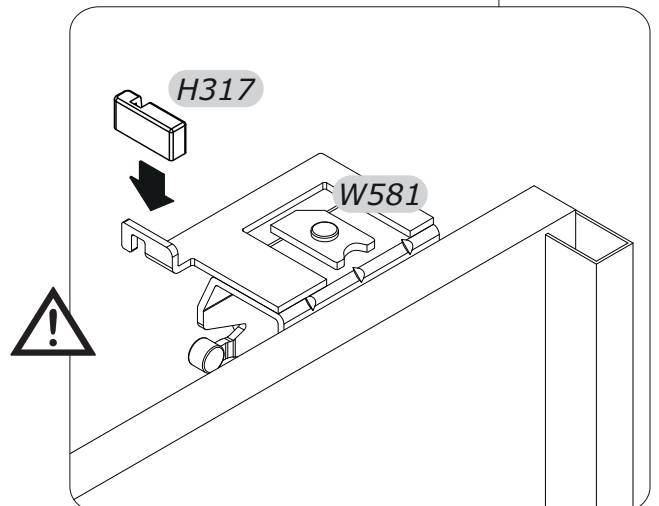
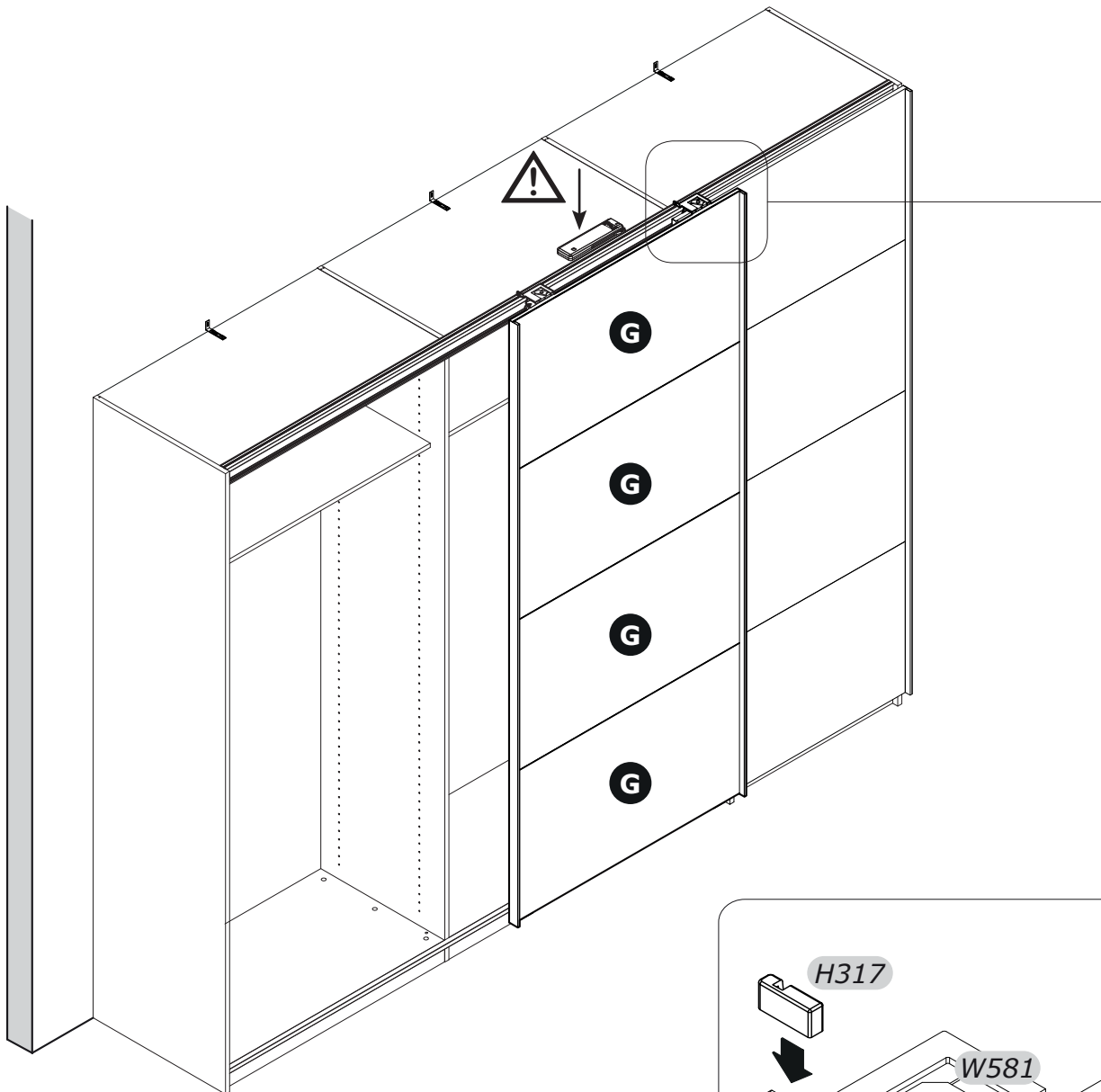
22

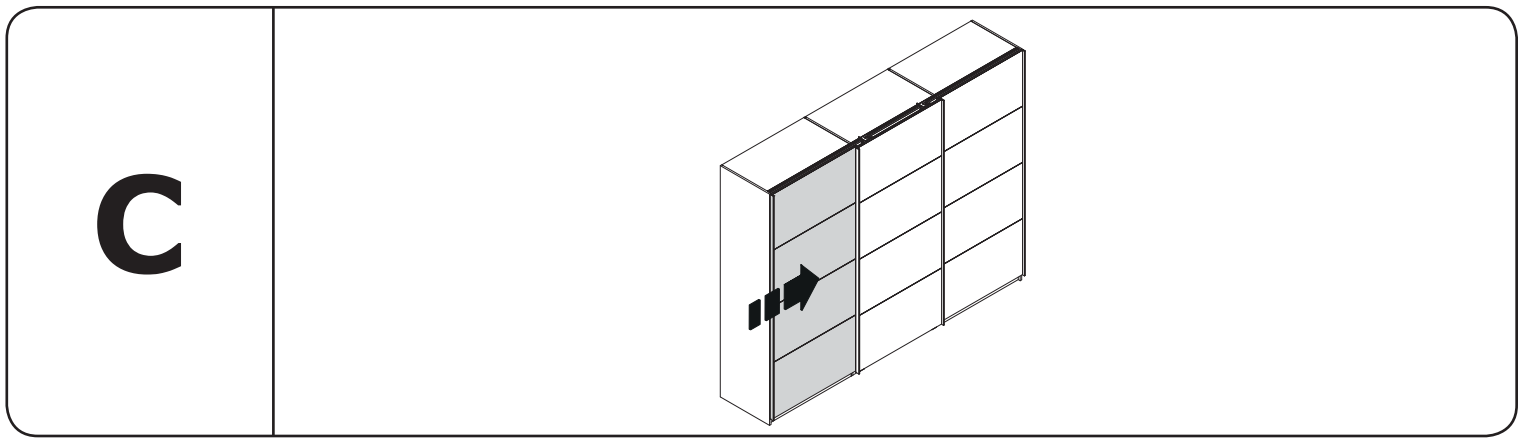


D2



23





24

