



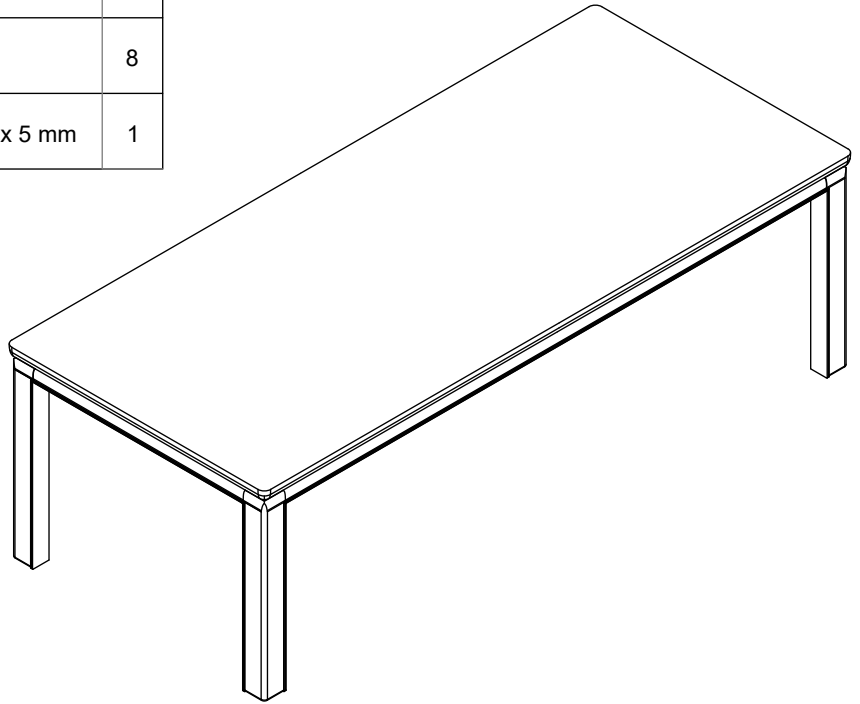


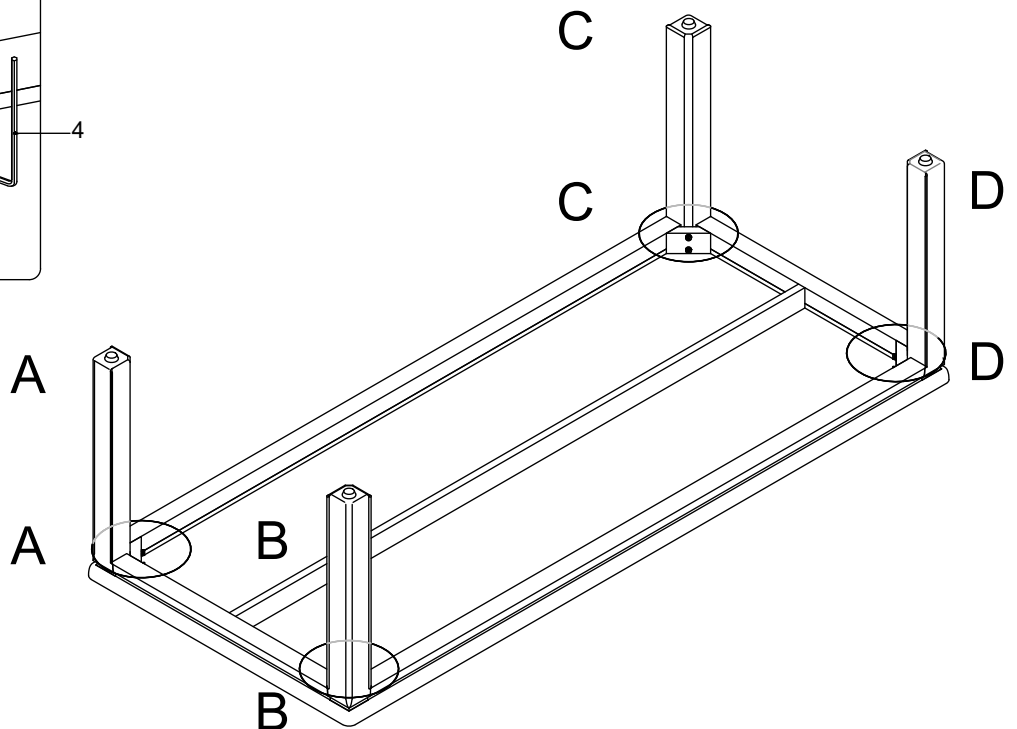
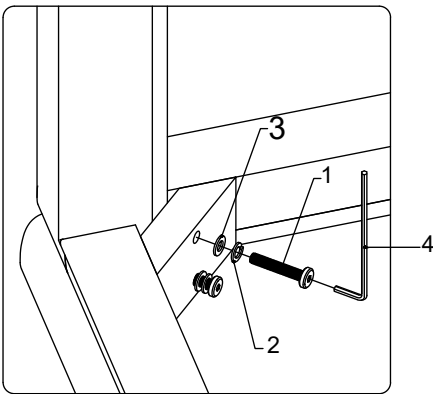
RECTANGULAR DINING TABLE

ASSEMBLY INSTRUCTIONS

HARDWARE LIST				
1		Bolts	8 x 90 mm	8
2		Lock Washer	8 mm	8
3		Flat Washer	8 mm	8
4		Allen Wrench	73 x 29 x 5 mm	1



STEP: 1



RECTANGULAR DINING TABLE

ASSEMBLY INSTRUCTIONS

STEP: 2

ADJUST FLOOR LEVELERS

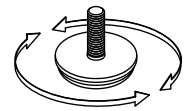
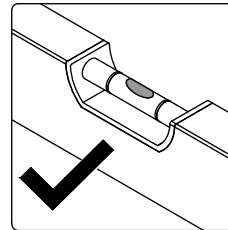
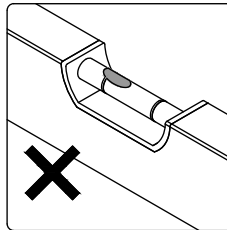
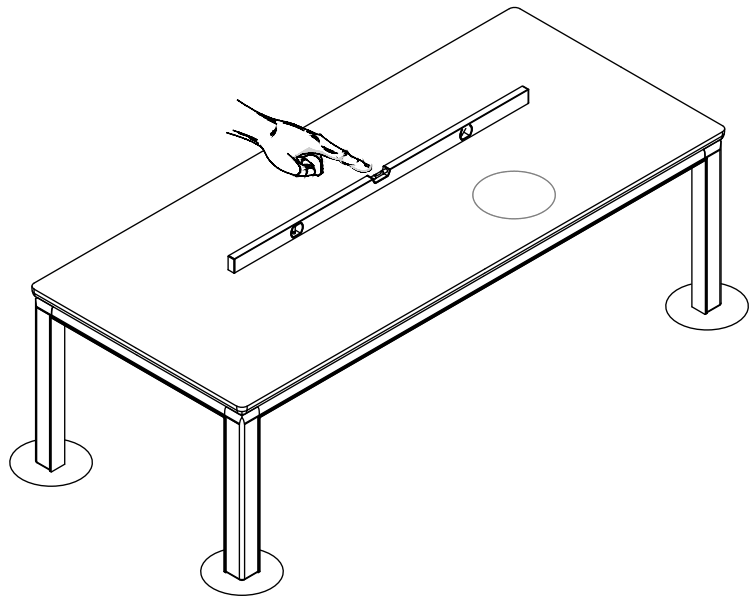
Your furniture has been expertly crafted and pre-adjusted by professionals. However, slight shifts can occur during transportation. If you notice that the doors are not perfectly aligned or the furniture wobbles, a quick adjustment can help ensure stability and a seamless look.

ADJUST FLOOR LEVELERS

Check for Stability – Place the furniture in its final position on a level surface. If it wobbles or doesn't sit evenly, the floor levelers need adjusting.

Locate the Levelers – These are small adjustable feet found at the bottom corners of your furniture.

Adjust as Needed – Using your hand or a wrench, turn the levelers clockwise to raise or counterclockwise to lower the furniture. Make small adjustments and check stability after each turn.



ADJUST THE LEVELERS
IF NEEDED