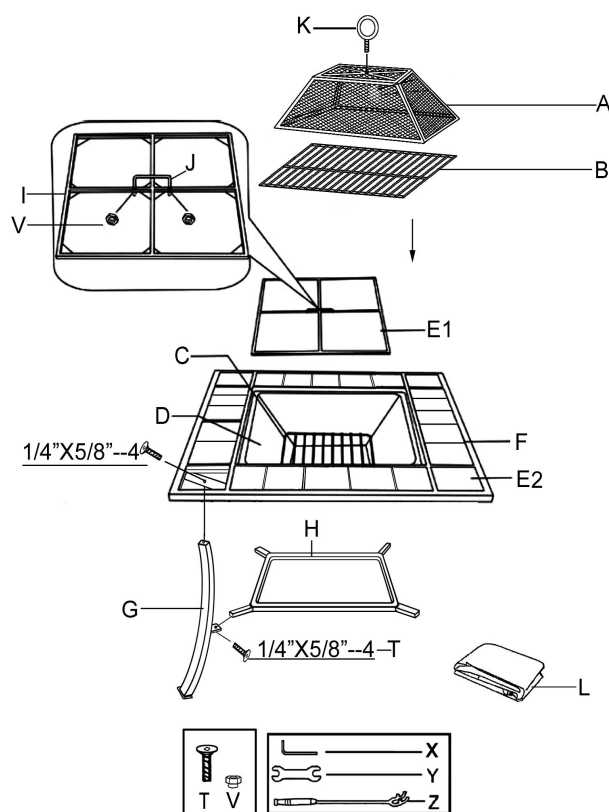


# ASSEMBLY INSTRUCTIONS SHEET

Prior to assembly, please read these instructions carefully. We suggest you carry out assembly on a soft surface so as to avoid scratching the paint.

## Part list

NO.	Parts	Qty.
A	Mesh cover	1
B	BBQ grill	1
C	Log grate	1
D	Fire bowl	1
E1	Center lid tile	4
E2	Table top tile	24
F	Table top frame	1
G	Legs	4
H	Leg support	1
I	Center lid frame	1
J	Center lid handle	1
K	Mesh cover handle	1
L	Rain cover	1
T	Bolt(1/4"x5/8")	8
V	Lock Nut	2
X	Alan wrench	1
Y	Wrench	1
Z	Poker	1



## Assembly Instructions

**Tool required: Alan wrench(X), Wrench(Y)and Poker(Z) provided in package.**

**DO NOT FULLY TIGHTEN THE BOLTS BEFORE ASSEMBLING ALL THE PARTS**

- Place the table top frame (F) upside down on the floor. Attach legs (G) with leg support to table top frame(F) with 4 x Bolts (T)
- Attach 4 legs(G) to leg support(H) with 4 x Bolts (T).
- Turn the assembly over to stand on its legs. Put table top tile(E2) on to table top frame(F).
- Put fire bowl(D) into table top fame(F).
- Install mesh cover handle(K) to mesh cover(A).
- Assemble center lid handle (J) to centre lid frame (I) using 2 x Lock nuts (V). Put center lid tile(E1) onto center lid frame(I).

### Usage As Fire Pit BBQ

- Place log grate (C) & BBQ grill (B) into firebowl (D), then put mesh cover (A) onto firebowl(D). Put center lid onto leg support(H).

### Usage As A Coffee Table

- Place the mesh cover (A) upside down into the firebowl (D), place the log grate (F) and BBQ grill(E) into the mesh cover (G), then

## Warning and Caution:

- FOR OUTDOOR USE ONLY. NEVER LEAVE FIRE UNATTENDED.
- Supervise Children and Pets when the fire pit is in use.
- DO NOT use this unit on a wood deck or on combustible surface such as dry grass ,leaves,mulch etc and place it no closer than 2 feet from walls during use.
- Burn only wood or charcoal in the firepit.DO NOT use gasoline or kerosene to start the fire in your fireplace.  
Light the fire using a mach or lighter.
- DO NOT touch the outside of your firepit while it is in use
- DO NOT extinguish your firepit with water. The water many cause distortion,rust or flaking paint.  
Use fire extinguisher or allow the attended fire to die out in its own
- DO NOT use a fire extinguisher unless in an emergency. Allow the attended fire to die out in its own
- DO NOT use in inclement weather.

## Care and Maintenance:

- To extend the life of your fire pit, clean the bowl after each use and cover the unit to protect it from the elements
- To maintain the coating color, cover the bottom of the fire bowl with small stones or sandstones before each use
- To maintain the finish, clean the surface using a soft cloth. Do not use a metal brush.
- If metal is scratched, the fireplace may need touch up paint. Ask your local paint store representative which paint is best for your type of fireplace. To prevent rusting, coat the exposed surface immediately.
- Although fire pits in general do well in adverse weather conditions, store it in an enclosed structure during the off-season.