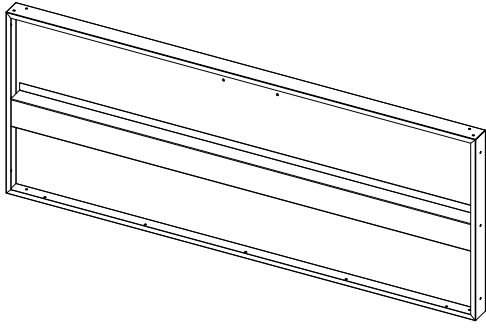
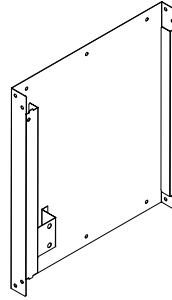


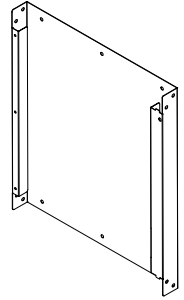
1×1pc



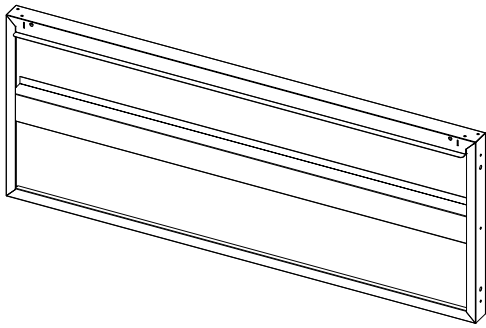
2×1pc



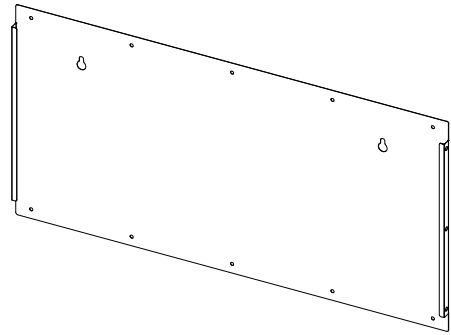
3×1pc



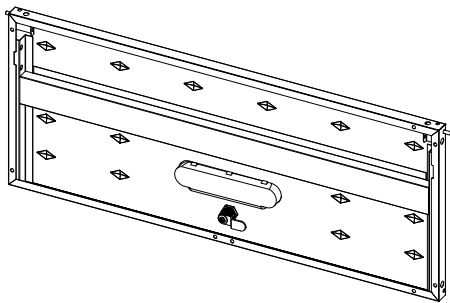
4×1



5×1



6×1



A×46



M4× 8mm
0.3inch

B×4



M5× 10mm
0.3inch

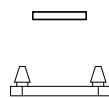
S×1



T×1



U×1



V×2



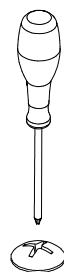
M8

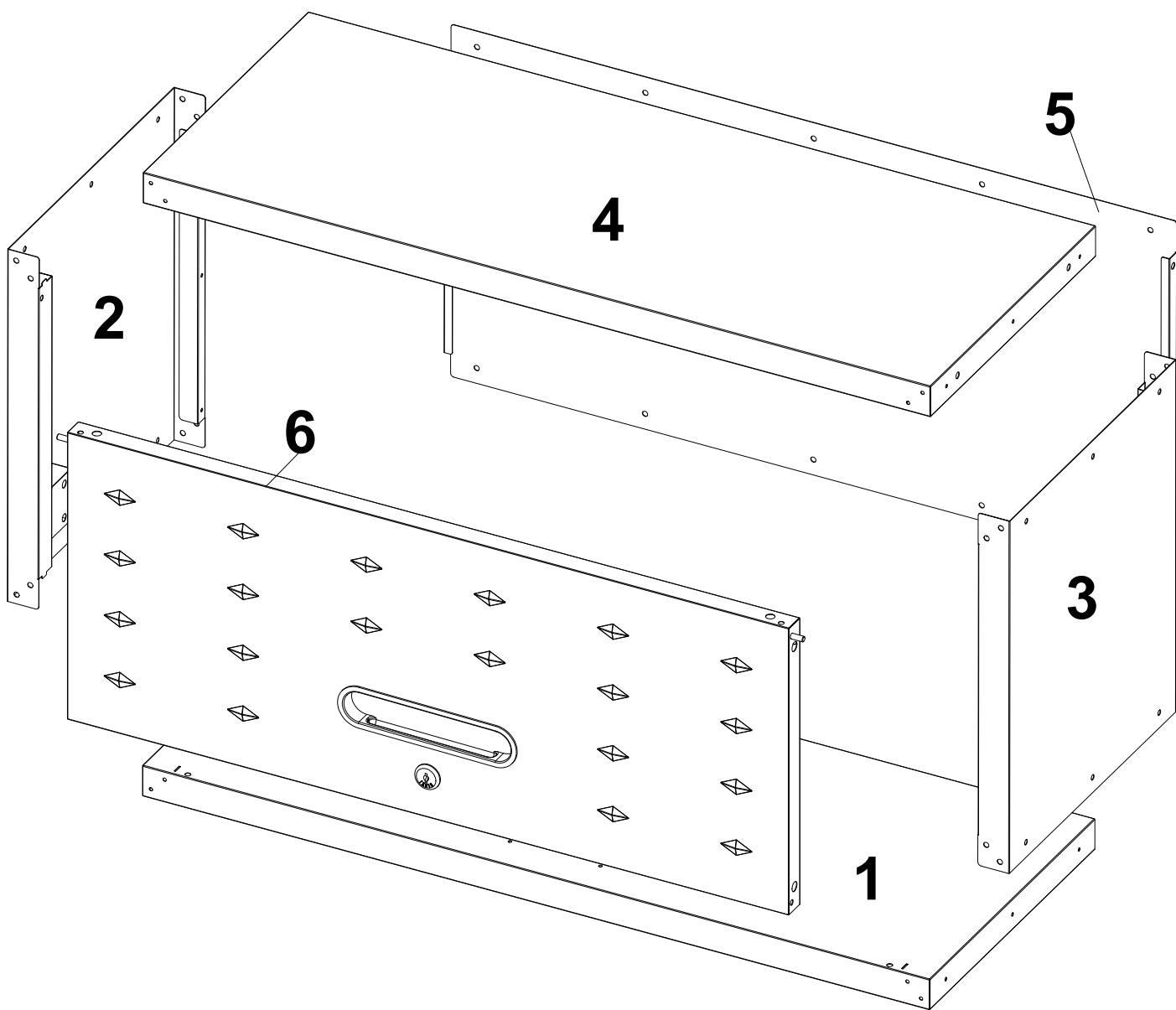


M5

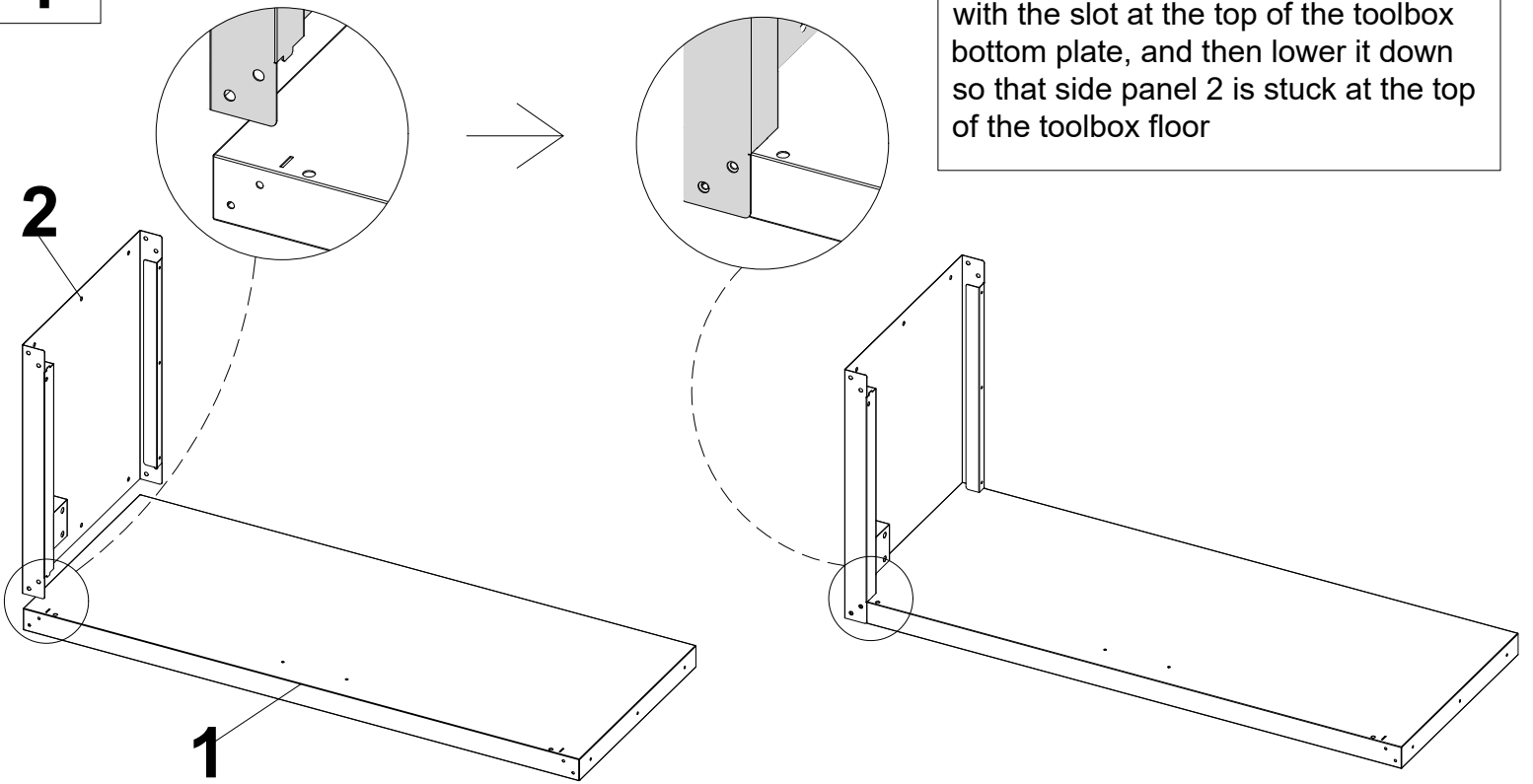


M5×40 mm



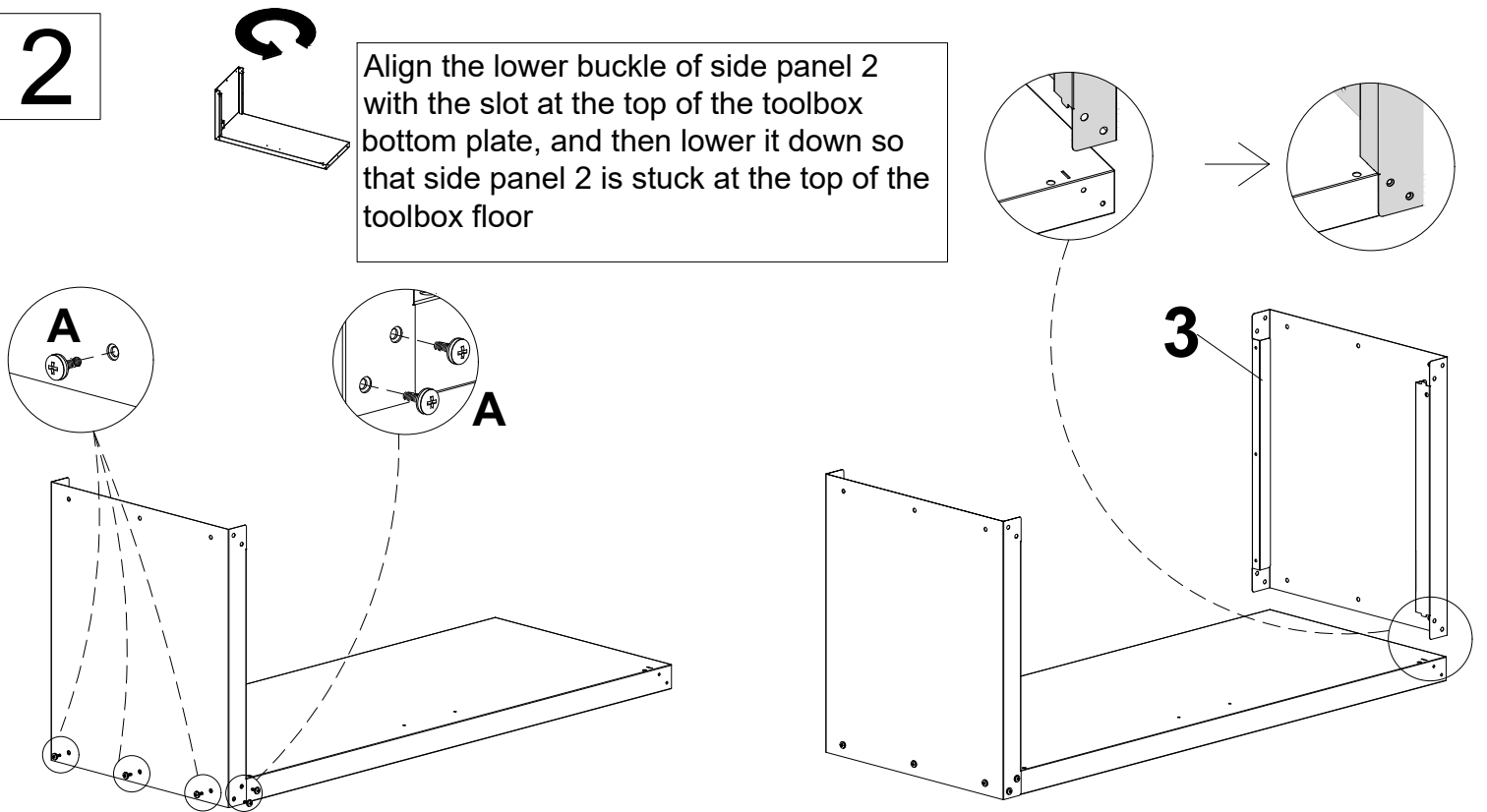


1



Align the lower buckle of side panel 2 with the slot at the top of the toolbox bottom plate, and then lower it down so that side panel 2 is stuck at the top of the toolbox floor

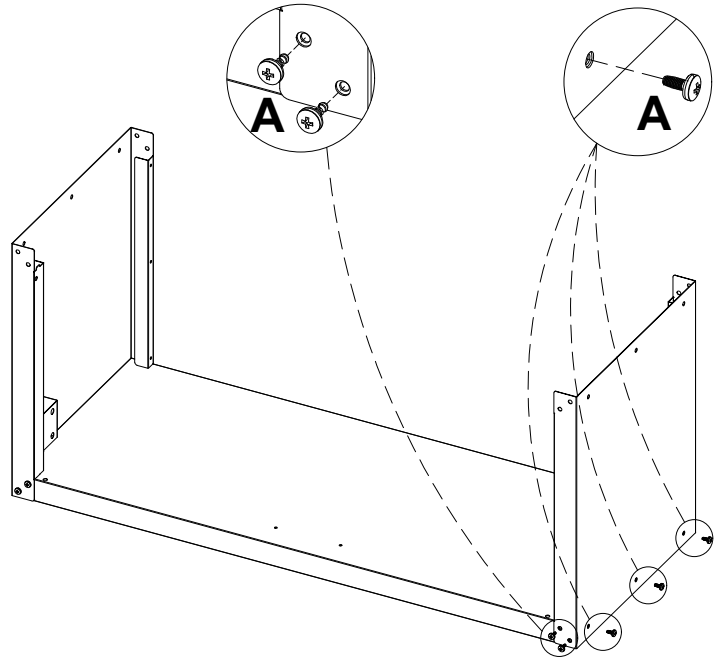
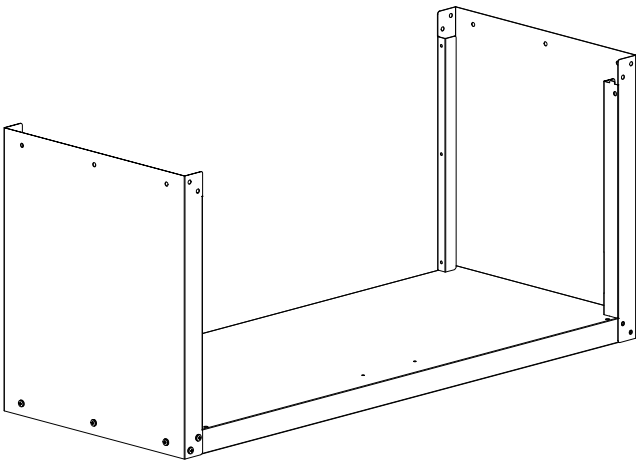
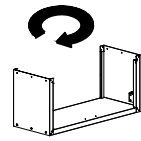
2



Align the lower buckle of side panel 2 with the slot at the top of the toolbox bottom plate, and then lower it down so that side panel 2 is stuck at the top of the toolbox floor

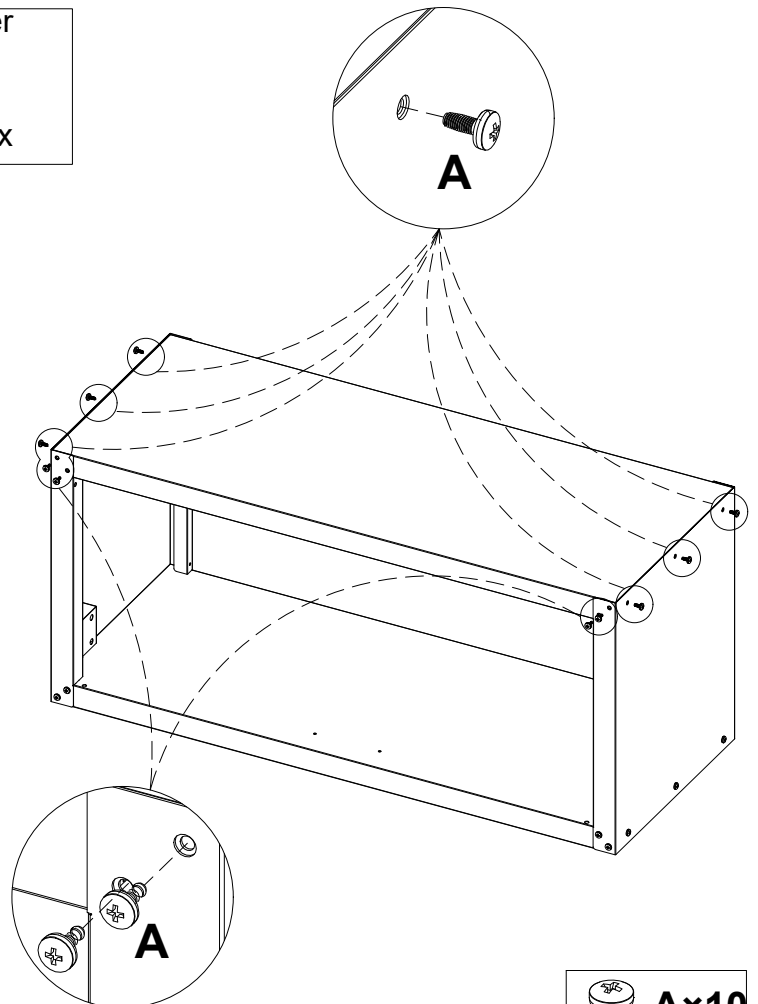
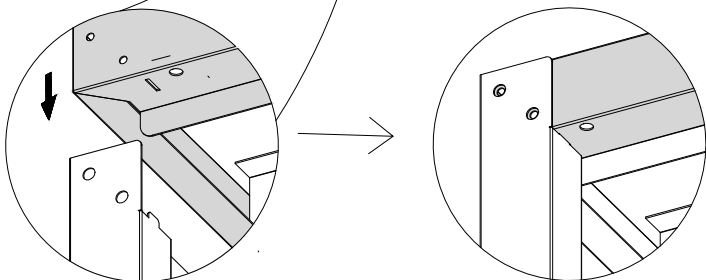
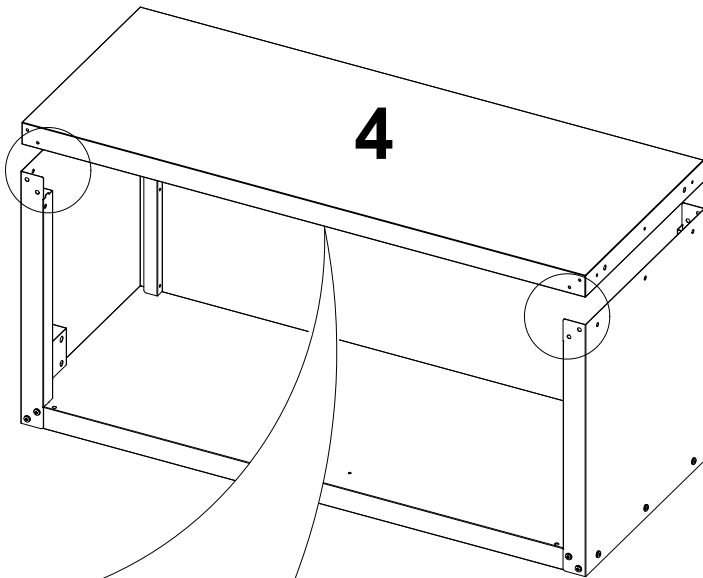


3

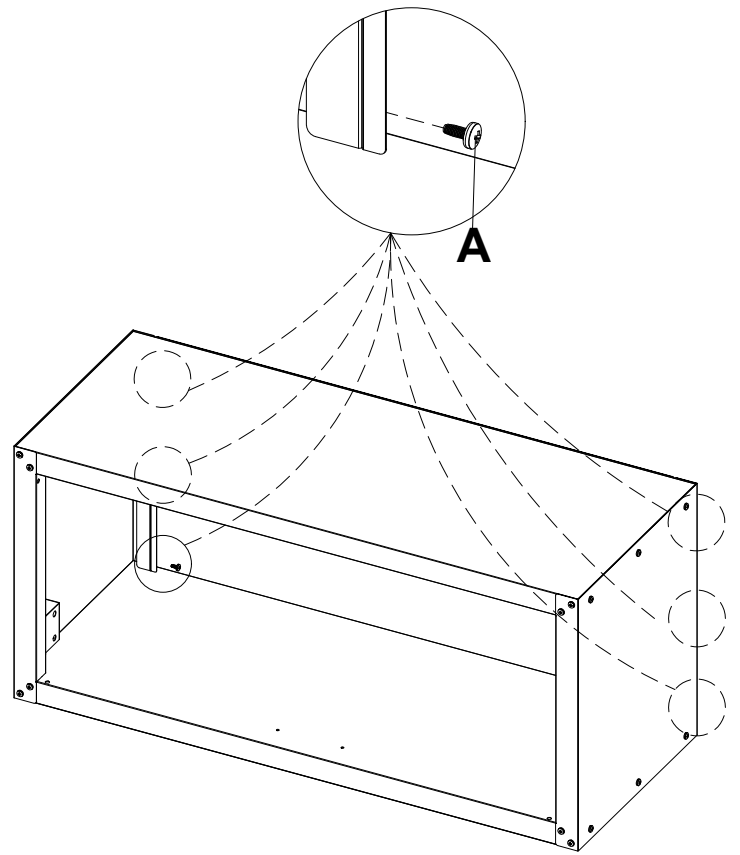
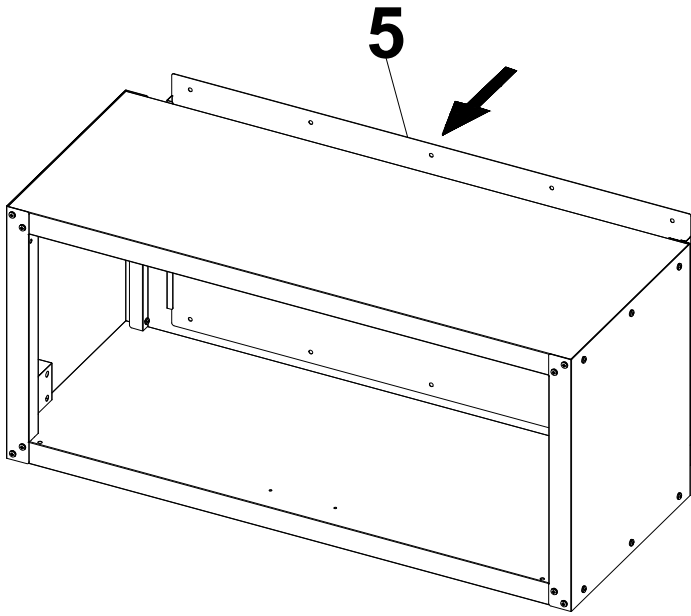


4

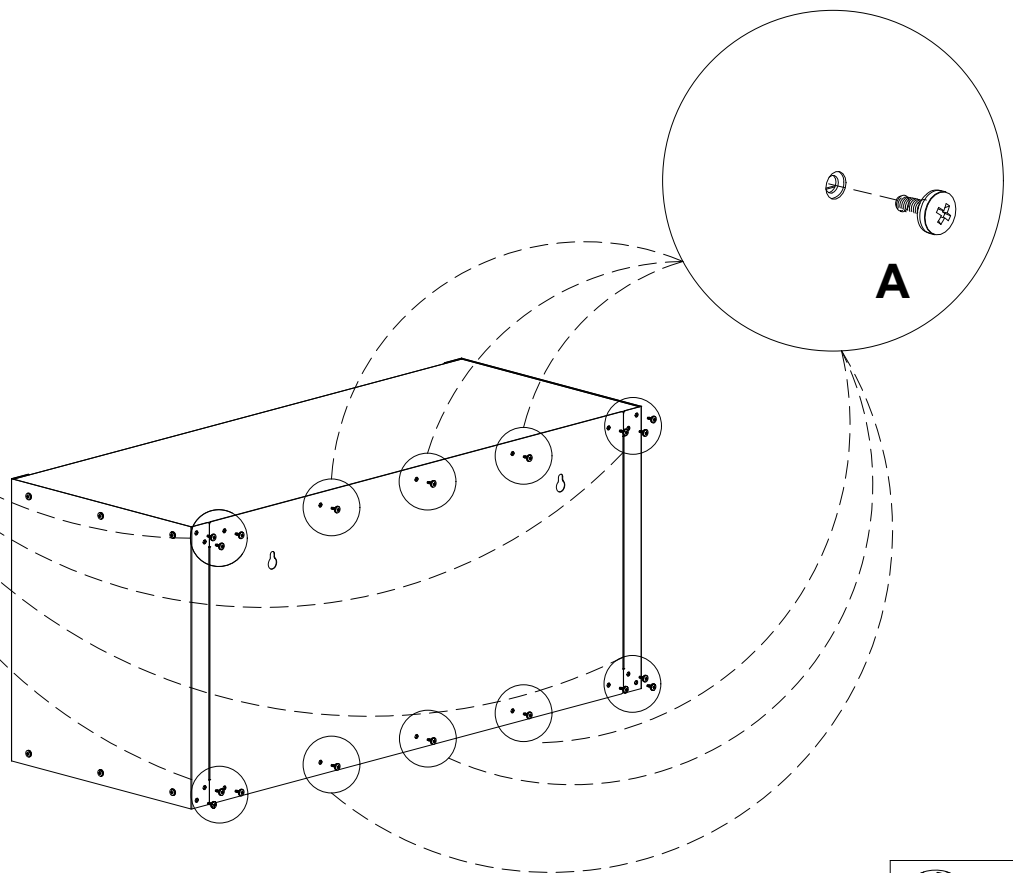
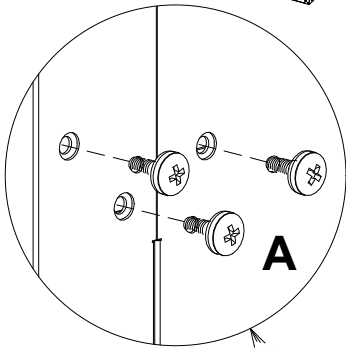
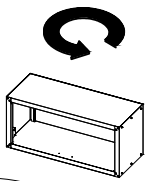
Align the card slots on both sides of the lower end of panel 4 with the buckles on the top of side panels 2 and 3, then lower it down so that panel 4 is stuck on the top of the toolbox



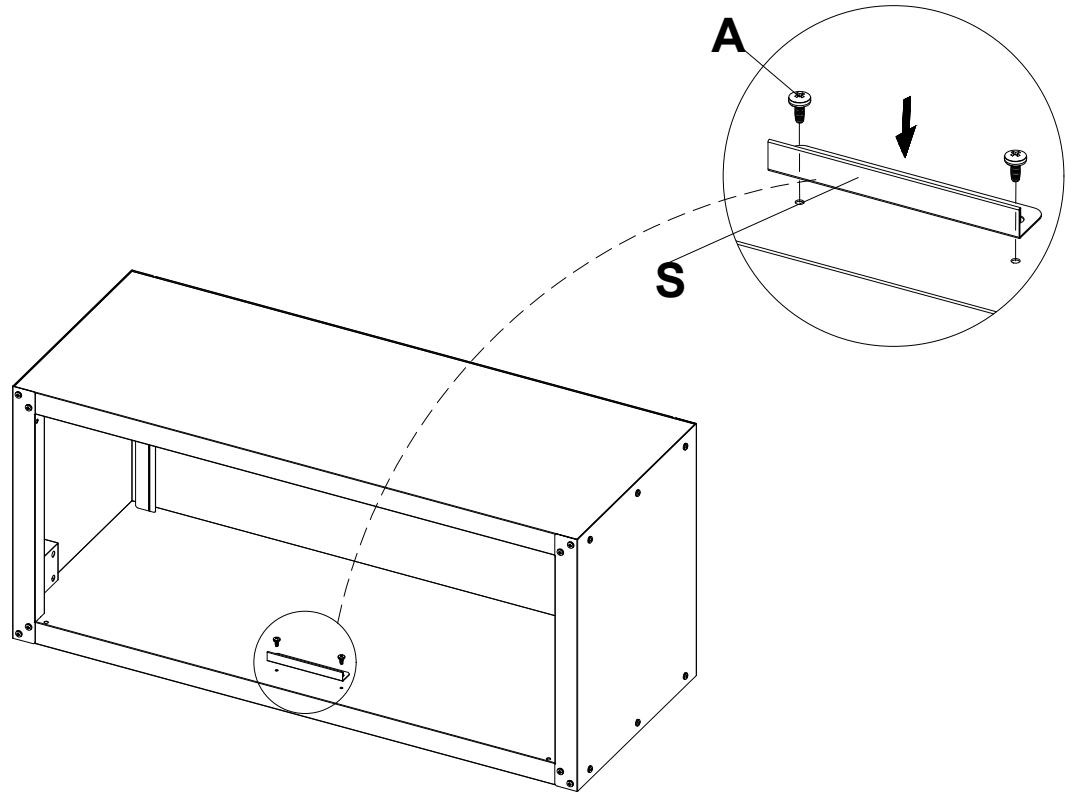
5



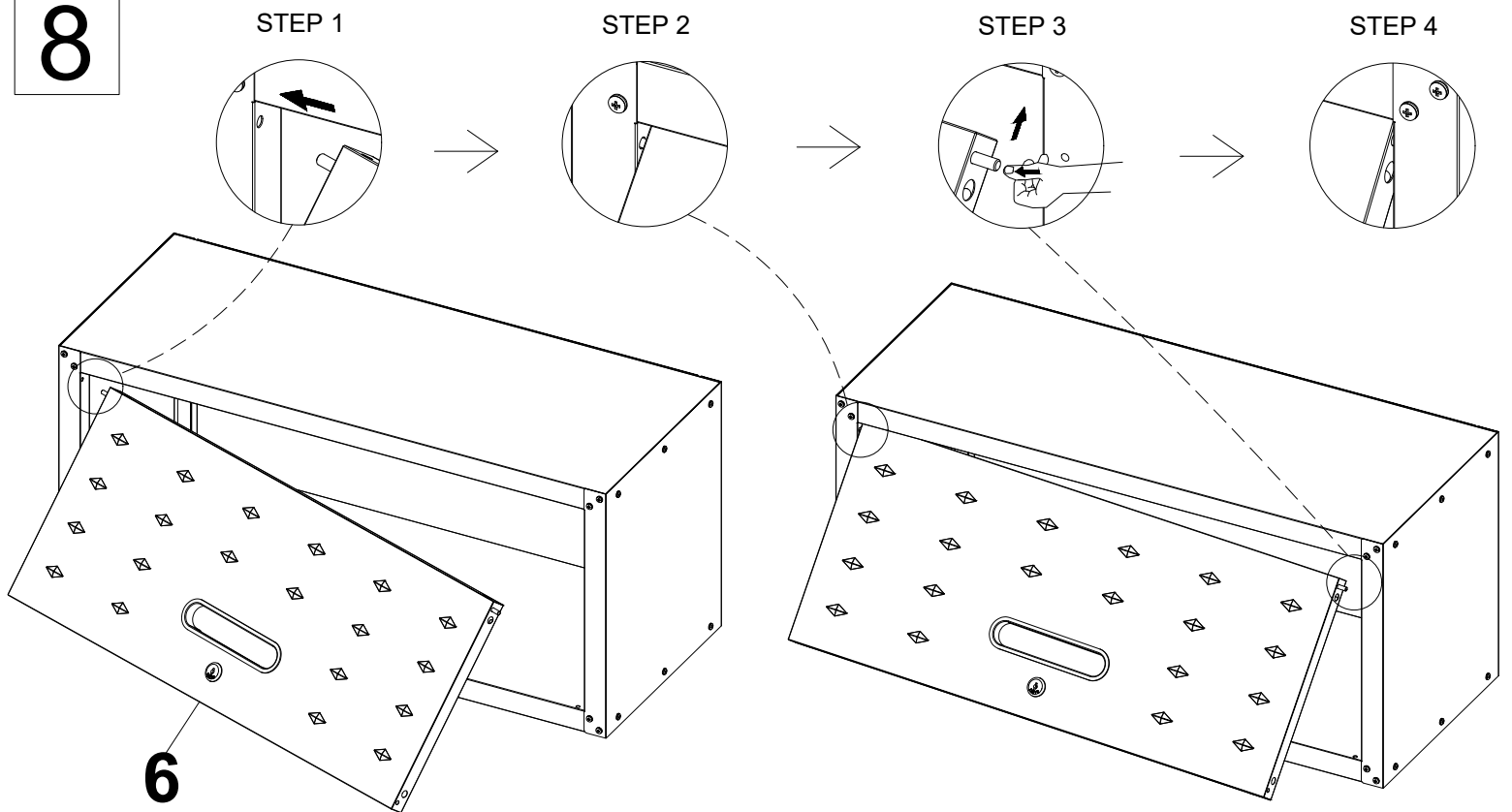
6



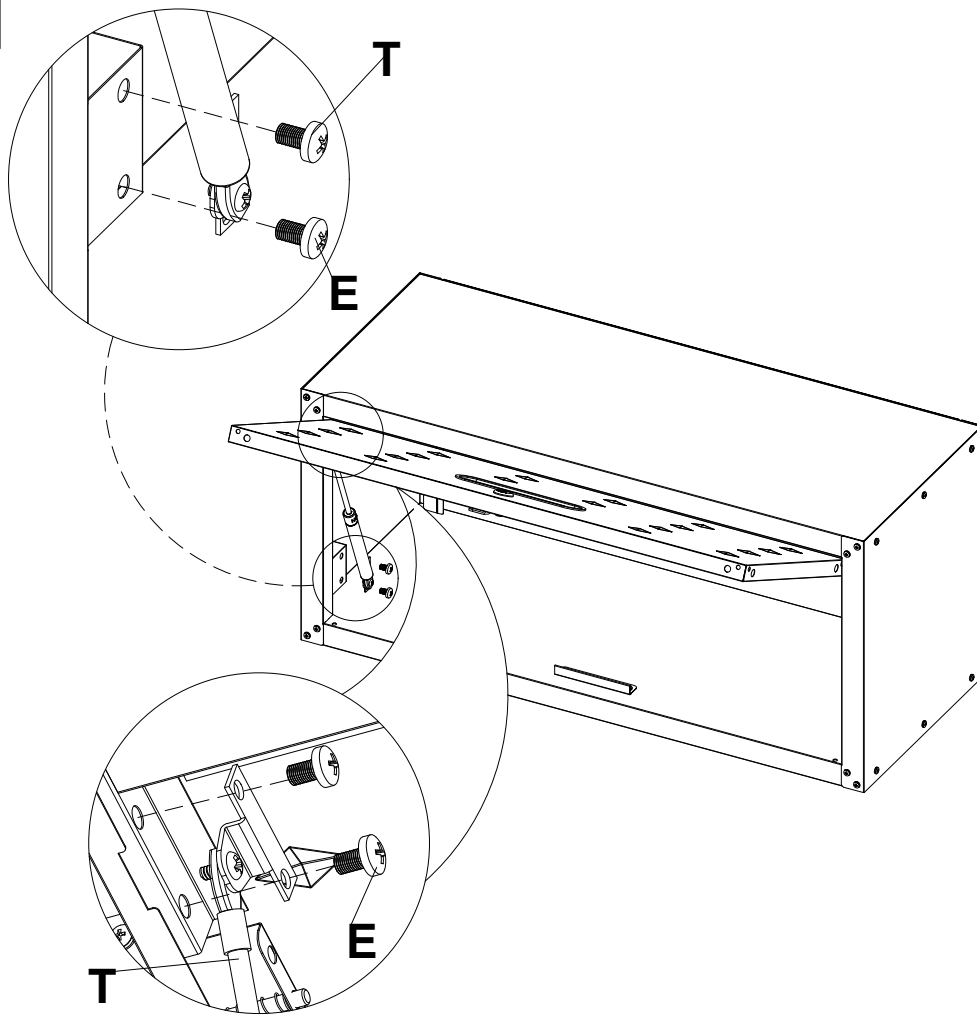
7



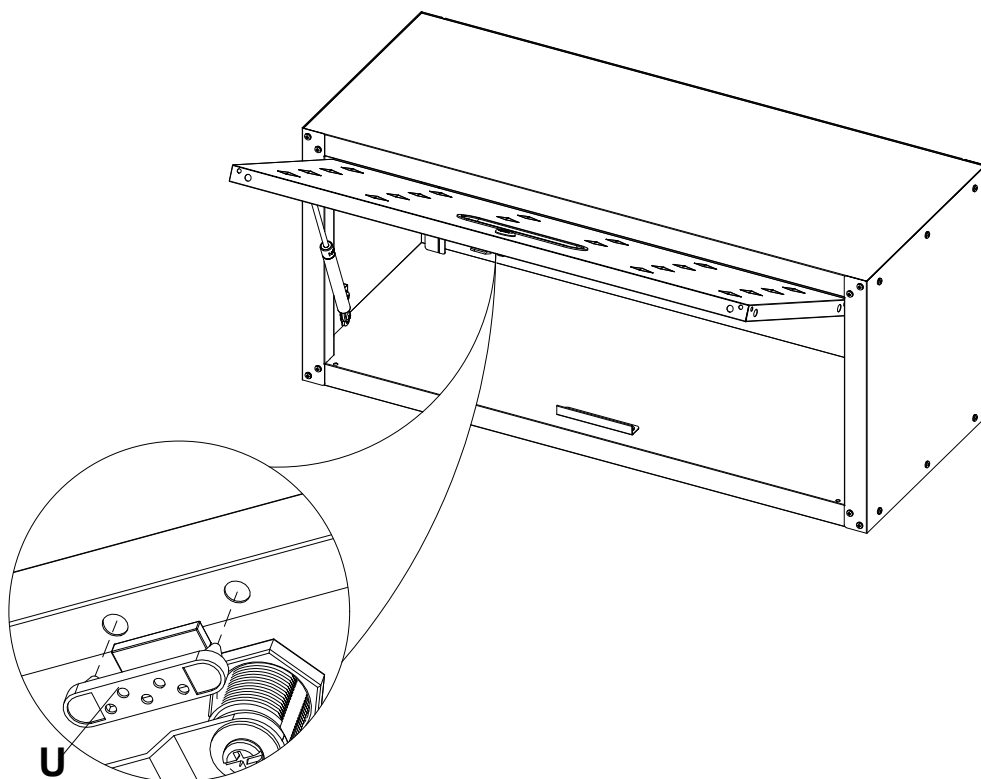
8



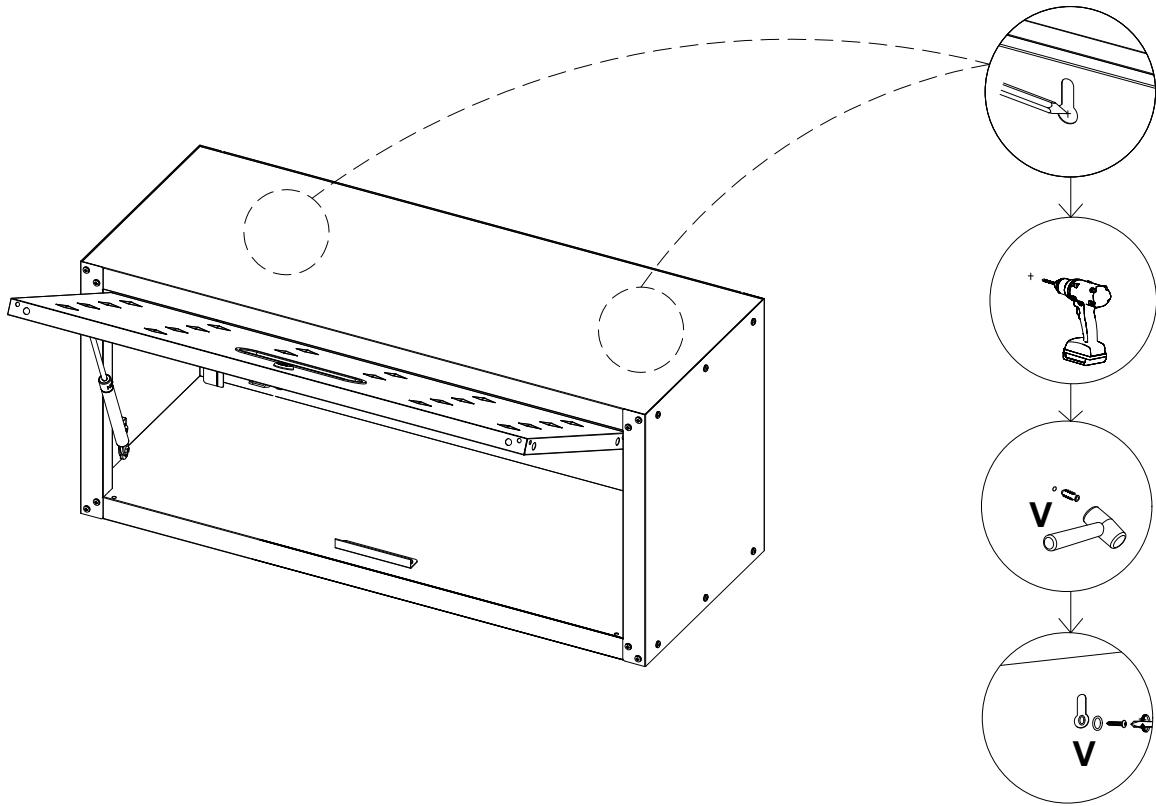
9



10



11



12

