

NON-ELECTRIC SHADE REDUCER FITTING INSTRUCTIONS

No experience of electrical wiring is required to install this pendant.

Fitting and changing a light bulb.

Make sure the electricity is switched off at the fuse board before removing bulb.

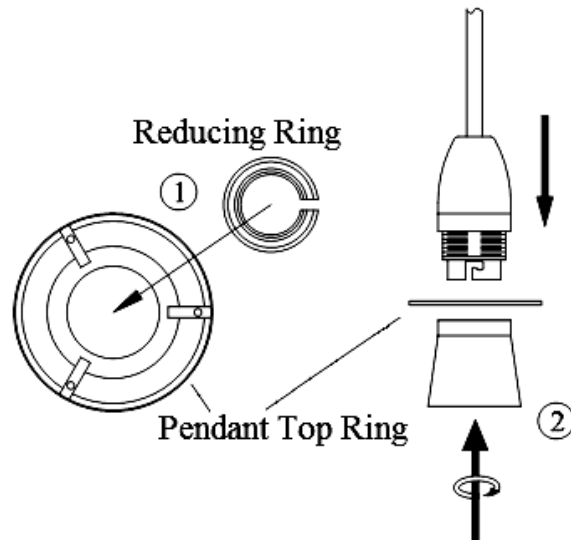
1. Ensure the lamp holder is in good condition and is not damaged before proceeding.
2. Allow the old bulb to cool down before handling. Remove existing light bulb from lamp holder.
3. Remove lower half of lamp holder and make sure the lamp holder is not damaged.

4. If required, clip the reducing ring into top ring of the shade. ①

5. Place upper half of lamp holder, attached to cable, through top ring of shade. Replace lower half of lamp holder to hold the pendant in place. ②

6. Fit the bulb: Type and wattage as indicated on the product.

7. Switch the electricity back on at the fuse board. You may now switch on the light.



NON-ELECTRIC SHADE REDUCER FITTING INSTRUCTIONS

No experience of electrical wiring is required to install this pendant.

Fitting and changing a light bulb.

Make sure the electricity is switched off at the fuse board before removing bulb.

1. Ensure the lamp holder is in good condition and is not damaged before proceeding.
2. Allow the old bulb to cool down before handling. Remove existing light bulb from lamp holder.
3. Remove lower half of lamp holder and make sure the lamp holder is not damaged.

4. If required, clip the reducing ring into top ring of the shade. ①

5. Place upper half of lamp holder, attached to cable, through top ring of shade. Replace lower half of lamp holder to hold the pendant in place. ②

6. Fit the bulb: Type and wattage as indicated on the product.

7. Switch the electricity back on at the fuse board. You may now switch on the light.

