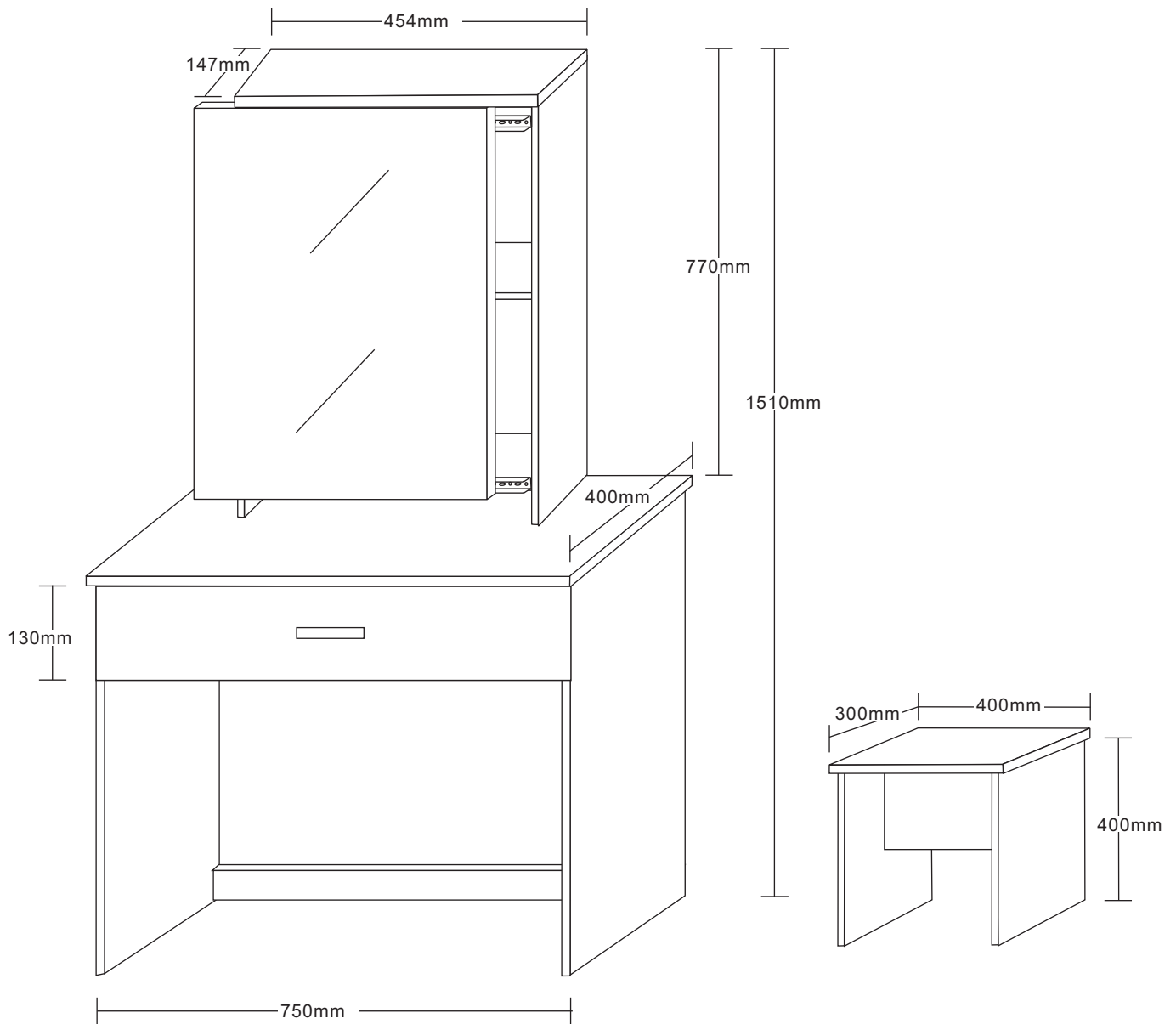


# DRESSING TABLE

Assembly instruction- Please keep for future reference



| Dimensions                                     | No. People  | Assembly Time       |
|--|---|---------------------|
| Width: 75 cm<br>Depth: 40 cm<br>Height: 151 cm |  | 90 mins<br>(approx) |

## Important

- PLEASE READ THESE INSTRUCTION FULLY BEFORE STARTING ASSEMBLY.
- PLEASE DO NOT THROW THE PACKAGING AWAY UNTIL YOU ARE SATISFIED WITH PURCHASE, GOODS NEED TO BE RETURNED IN ORIGINAL PACKAGING.

# ⚠ Safety and Care Advice

**Important-Please read these instructions fully before starting assembly**

- Check you have all the components and tools listed on pages 2,3 and 4.
- Remove all fittings from the plastic bags and separate them into their groups.
- Keep children and animals away from the work area, small parts could choke if swallowed.
- Make sure you have enough space to lay out the parts before starting.
- Do not stand or put weight on the product, this could cause damage.
- Assemble the item as close to its final position (in the same room) as possible.
- Assemble on a soft, level surface to avoid damaging the unit or your floor.
- We do not recommend the use of power drill/drivers for inserting screw, as this could damage the unit. only use hand screwdrivers.
- Dispose of all packaging carefully and responsibly.



## Glass Warnings

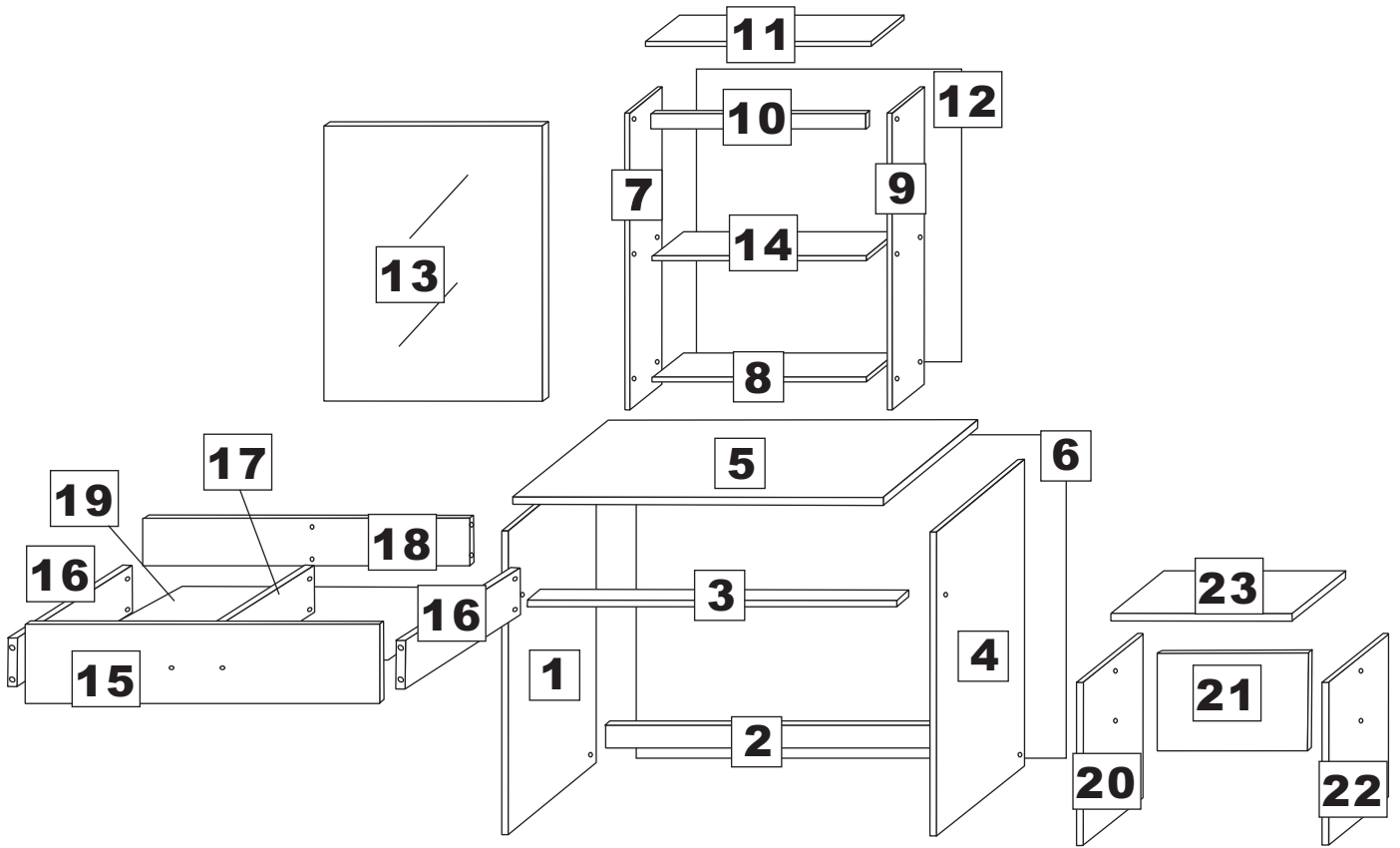
1. Do not place very hot or cold items against or in close proximity to glass surfaces unless an adequately thick insulating material is used to prevent such items from coming into contact with the glass.
2. Do not strike the glass with hard or pointed items.
3. When cleaning glass panels or mirrors use a damp cloth or leather with washing up liquid or soft soap if necessary: do not use washing powders or any other substance containing abrasives since these substances can scratch glass.
4. It is essential that this units is fixed to a wall with the fixings provided (if applicable).
5. If a glass component is chipped or broken, replace with glass of the type described above. Consult the manufacturer, retail or agent with regard to obtaining a manufacturing specification and shape for replacement glass quoting the model number and batch number or date of manufacture.

## Care and Maintenance

- Only clean using a damp cloth and mild detergent, do not use bleach or abrasive cleaners.
- From time to time check that there are no loose screws on this unit.
- This product should not be discarded with household waste. Take to your local authority waste disposal centre.

If you are unhappy with the product and wish to return it, please following the retailer's returns procedure.

# Components / Panels



# Components - Panels

Please check that you have all the components listed below before constructing your item.

| Part No | Description            | Qty | Thickness (mm) |
|---------|------------------------|-----|----------------|
| 1       | Table Left Side Panel  | 1   | 15 mm          |
| 2       | Lower Back Panel       | 1   | 15 mm          |
| 3       | Centre Front Panel     | 1   | 15 mm          |
| 4       | Table Right Side Panel | 1   | 15 mm          |
| 5       | Table Top Panel        | 1   | 15 mm          |
| 6       | Table Back Panel       | 1   | 3 mm           |
| 7       | Upper Left Side Panel  | 1   | 15 mm          |
| 8       | Upper Lower Panel      | 1   | 15 mm          |
| 9       | Upper Right Side Panel | 1   | 15 mm          |
| 10      | Upper Front Panel      | 1   | 15 mm          |
| 11      | Upper Top Panel        | 1   | 15 mm          |
| 12      | Upper Back Panel       | 1   | 3 mm           |
| 13      | Mirror Panel           | 1   | 15 mm          |
| 14      | Shelf Panel            | 1   | 15 mm          |
| 15      | Drawer Front Panel     | 1   | 15 mm          |
| 16      | Drawer Side Panel      | 2   | 15 mm          |
| 17      | Drawer Centre Panel    | 1   | 15 mm          |
| 18      | Drawer Back Panel      | 1   | 15 mm          |
| 19      | Drawer Base Panel      | 1   | 3 mm           |
| 20      | Stool Left Side Panel  | 1   | 15 mm          |
| 21      | Stool Centre Panel     | 1   | 15 mm          |
| 22      | Stool Right Side Panel | 1   | 15 mm          |
| 23      | Seat Panel             | 1   | 15 mm          |
|         |                        |     |                |
|         |                        |     |                |
|         |                        |     |                |
|         |                        |     |                |



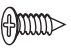


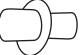
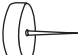


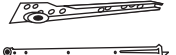

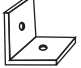

**Important-Please read these instructions fully before starting assembly**

# Components - Fixings

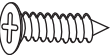


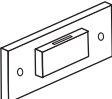

Please check that you have all the components listed below before constructing your item.

**Note:** The quantities below are the correct amount to complete the assembly. In some cases more fittings may be supplied than are required.

## HARDWARE

|   |   |   |  |  |
|---|---|---|--|--|
| <p>(A)</p>  <p>JCBC M5 X 40mm<br/>X 16</p>       | <p>(B)</p>  <p>M4 X 32mm<br/>X 8</p>         | <p>(C)</p>  <p>M3.5 X 14mm<br/>X 34</p>                    | <p>(D)</p>  <p>Nail<br/>X 43</p>  | <p>(E)</p>  <p>Dowel (M8X25)<br/>X 15</p>       |
| <p>(F)</p>  <p>Plastic Shelf Support<br/>X 4</p> | <p>(G)</p>  <p>Leg Pin<br/>X 8</p>           | <p>(H)</p>  <p>Bolt      Nut<br/>Mini Fit<br/>X 3 sets</p> | <p>(I)</p>  <p>Handle<br/>X 1</p> | <p>(J)</p>  <p>Drawer Slide 12"<br/>X 1 set</p> |
| <p>(K)</p>  <p>Extension Slide<br/>X 1 set</p> | <p>(L)</p>  <p>Metal L Bracket<br/>X 4</p> | <p>(M)</p>  <p>Allen Key<br/>X 1</p>                     |  |  |

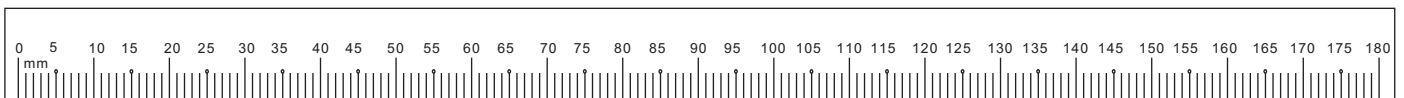
## ANTI - TIPPING KITS

|   |   |   |   |   |
|---|---|---|---|---|
| <p>(N)</p>  <p>M4 X 32mm<br/>X 2</p> | <p>(O)</p>  <p>M3.5 X 20mm<br/>X 2</p> | <p>(P)</p>  <p>Wall Plug<br/>X 2</p> | <p>(Q)</p>  <p>Bracket<br/>X 2</p> | <p>(R)</p>  <p>Strap<br/>X 1</p> |
|---|---|---|---|---|

### Tools Required ( Not Provided)



Ruler - Use this to measure your screws (mm)

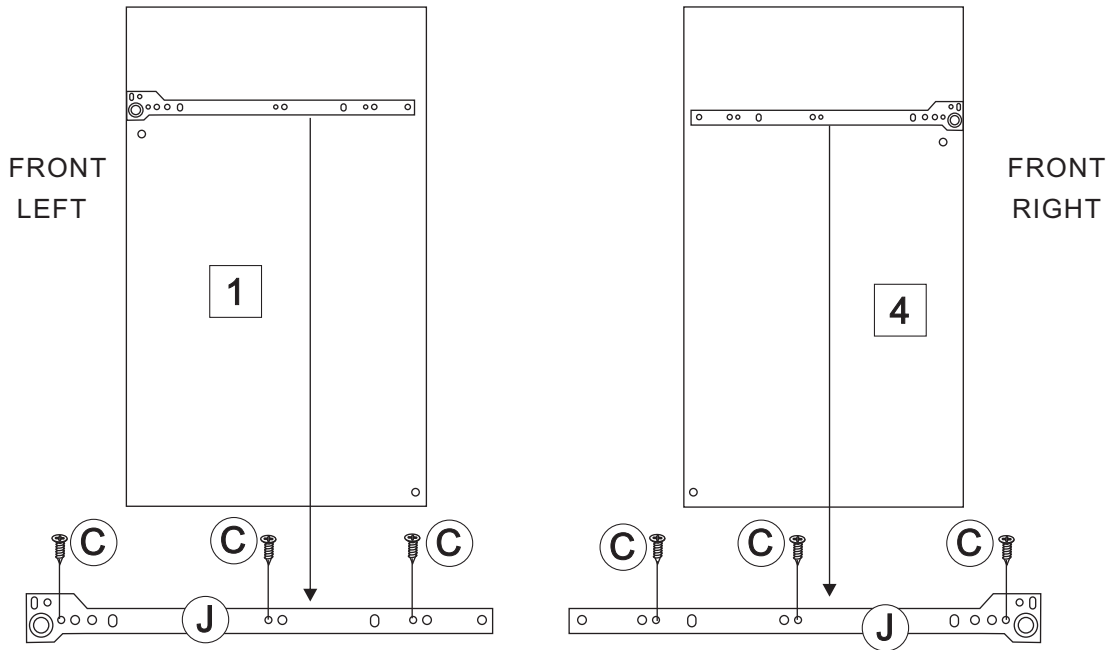


Important-Please read these instructions fully before starting assembly

# Assembly Instructions

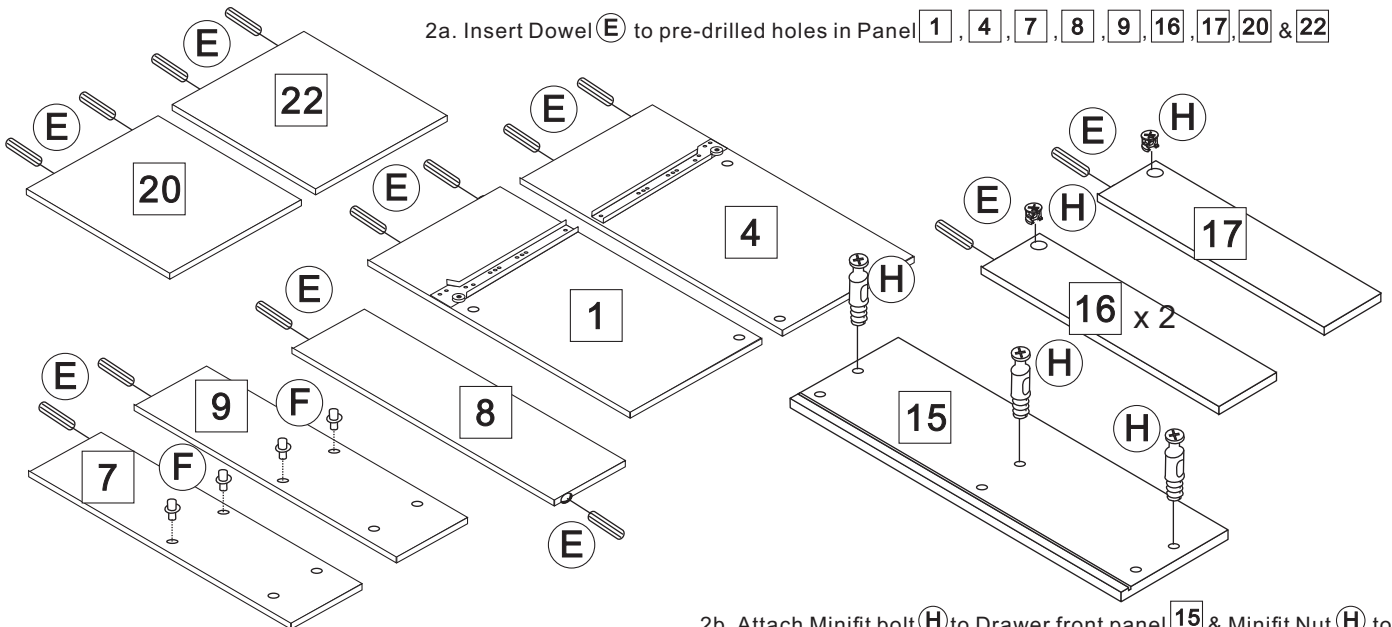
## Step 1

Attach drawer slide **J** onto Panel **1** & **4** and tighten with screw **C**



## Step 2

2a. Insert Dowel **E** to pre-drilled holes in Panel **1**, **4**, **7**, **8**, **9**, **16**, **17**, **20** & **22**

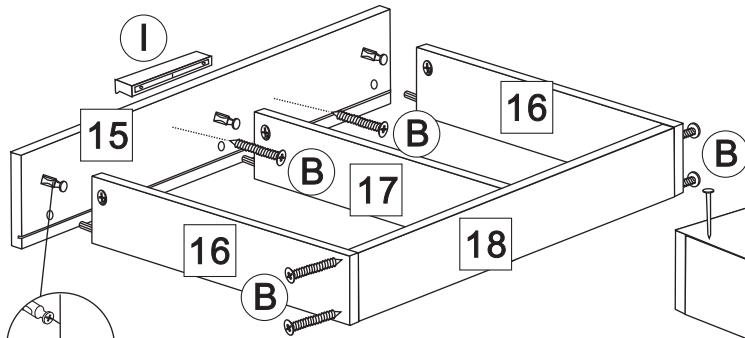


2c. Attach Shelf support stud **F** onto the pre-drilled holes of Panel **7** & **9**.

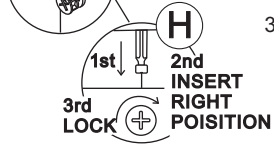
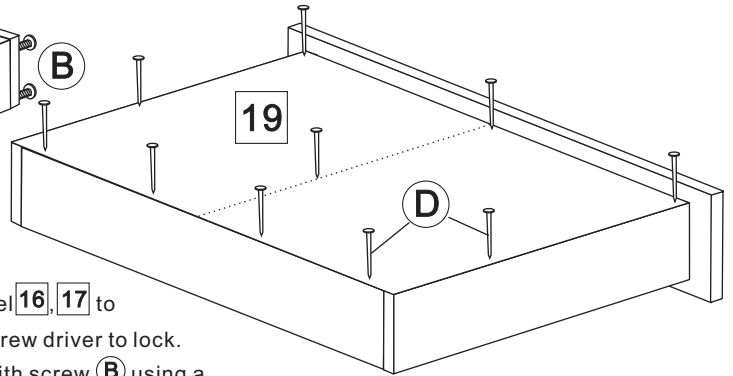
2b. Attach Minifit bolt **H** to Drawer front panel **15** & Minifit Nut **H** to Drawer Side panel **16** and Drawer centre panel **17**

## Step 3

3a. Attach Handle **I** to drawer Front panel **15** with Screw **B** and tighten with Screw driver.



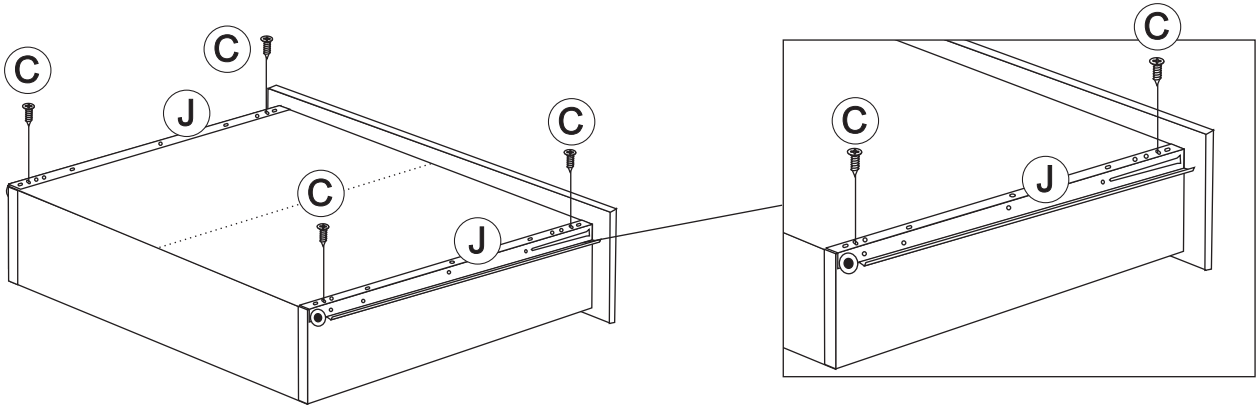
3c. Attach base board **19** with Nail **D** to the drawer base using a small hammer.



3b. Fasten drawer side and center panel **16, 17** to front panel **15** to minifit **H** using Screw driver to lock. Secure the drawer back panel **18** with screw **B** using a screw driver to tighten.

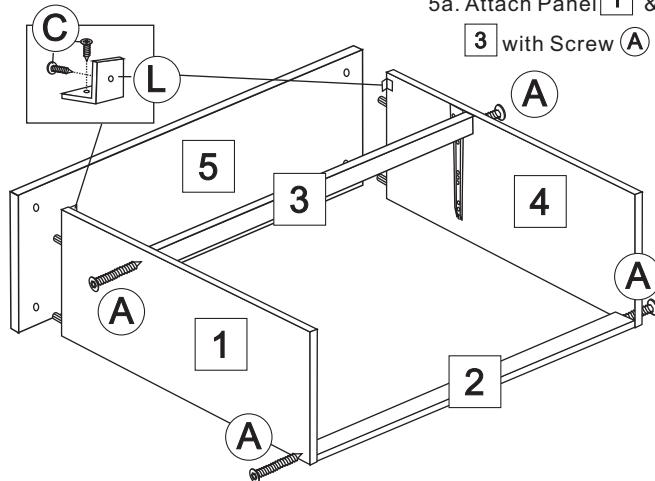
## Step 4

Attach drawer slide rail **J** to drawer base with screw **C** and tighten with screw driver.



## Step 5

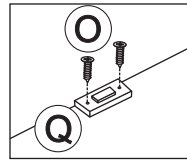
5a. Attach Panel **1** & **4** to Top panel **5**, Stretcher panel **2** & **3** with Screw **A** as shown and tighten with Allen key.



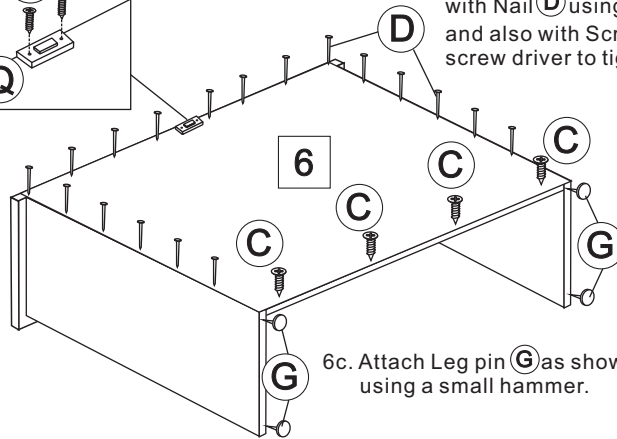
5b. Attach Metal bracket **L** with Screw **C** to secure the top panel using a screw driver.

## Step 6

6b. Attach Anti tipping kit bracket **Q** with Screw **O** using a Screw driver.



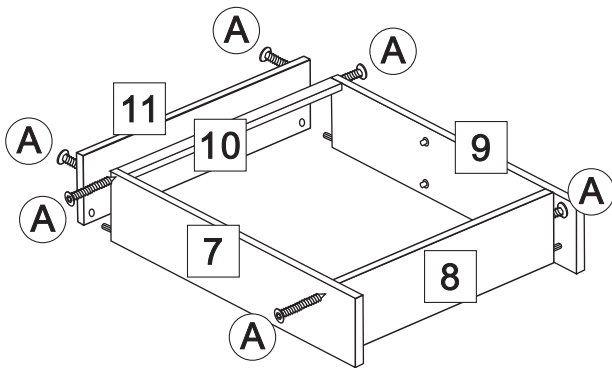
6a. Attach Back Panel **6** to the back of the Dresser unit Frame with Nail **D** using a small hammer, and also with Screw **C** using a screw driver to tighten as shown.



6c. Attach Leg pin **G** as shown using a small hammer.

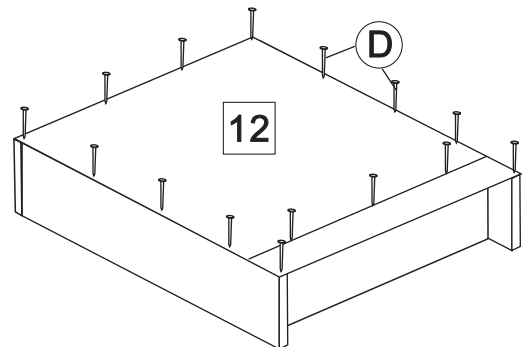
## Step 7

Attach Top panel **11**, Stretcher **10** and Lower panel **8** to Side Panel **7** & **9** of Mirror unit frame with Screw **A** and tighten with Allen key.



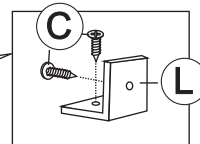
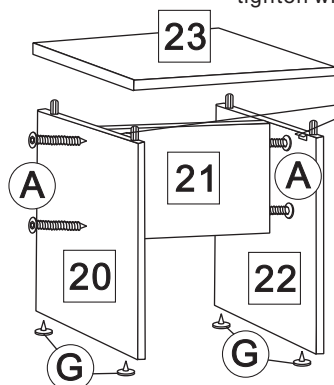
## Step 8

Attach Back panel **12** to mirror unit frame with Nail **D** using a small hammer.



## Step 9

9a. Attach Seat panel **23**, Center Panel **21** to Side panel **20** & **22** of Stool with Screw **A** and tighten with Allen key.

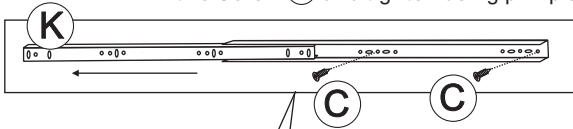


9b. Attach the metal L-bracket **L** on the 4 corners underside of Seat panel **23** and Side panel **20** & **22** as shown with Screw **C** using a philip screw driver.

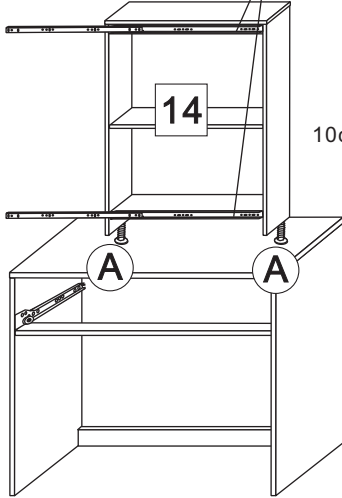
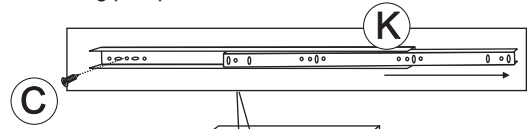
9c. Attach Leg pin to the base as shown, using a small hammer.

## Step 10

10a. Slide the Extension sliding rail **(K)** fully to the left, and attach to the mirror unit frame, as shown with two Screw **(C)** and tighten using philip screw driver.

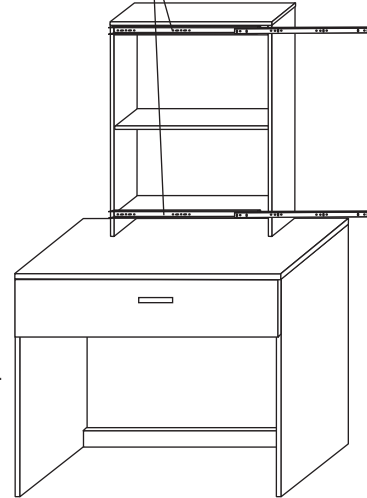


10b. Slide the Extension sliding rail **(K)** fully to the Right, as shown to secure the third screw **(C)** and tighten using philip screw driver.

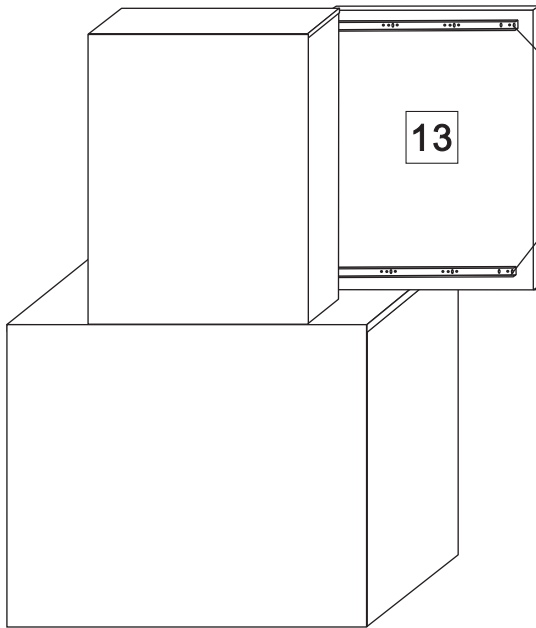


10c. Position the Mirror unit frame to the Dresser unit top and secure the two unit with Screw **(A)**, from the underside of the Dresser top and tighten with Allen key.

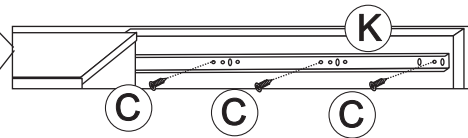
10d. Slide in the drawer into the Dresser unit frame.



## Step 11

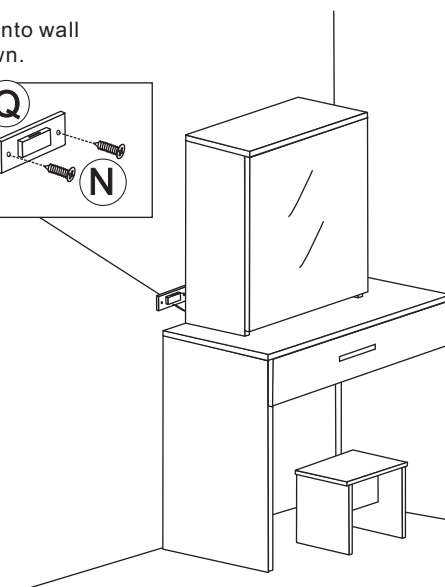
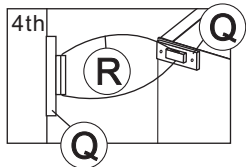
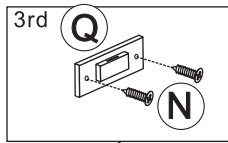
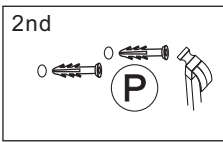
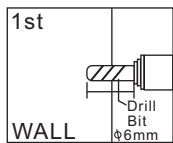


Slide the Extension sliding rail **(K)** fully to the left, to attach the mirror panel **13** with Screw using a philip Screw driver.



## Step 12

Attach the Anti-tipping kit onto wall following the steps as shown.



**COMPLETE**