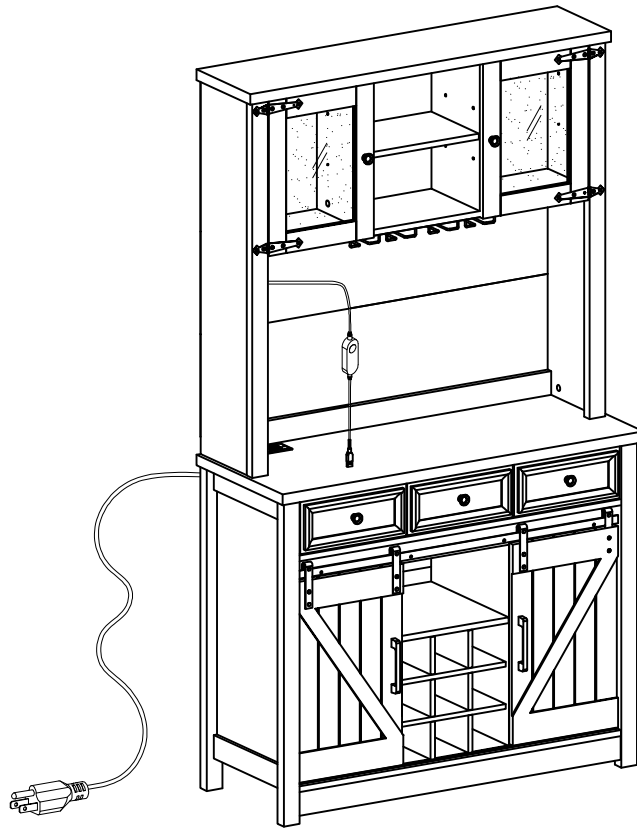


Wine cabinet Installation Manual



Trouble shooting:

Missing / Wrong / Broken parts and installation issues



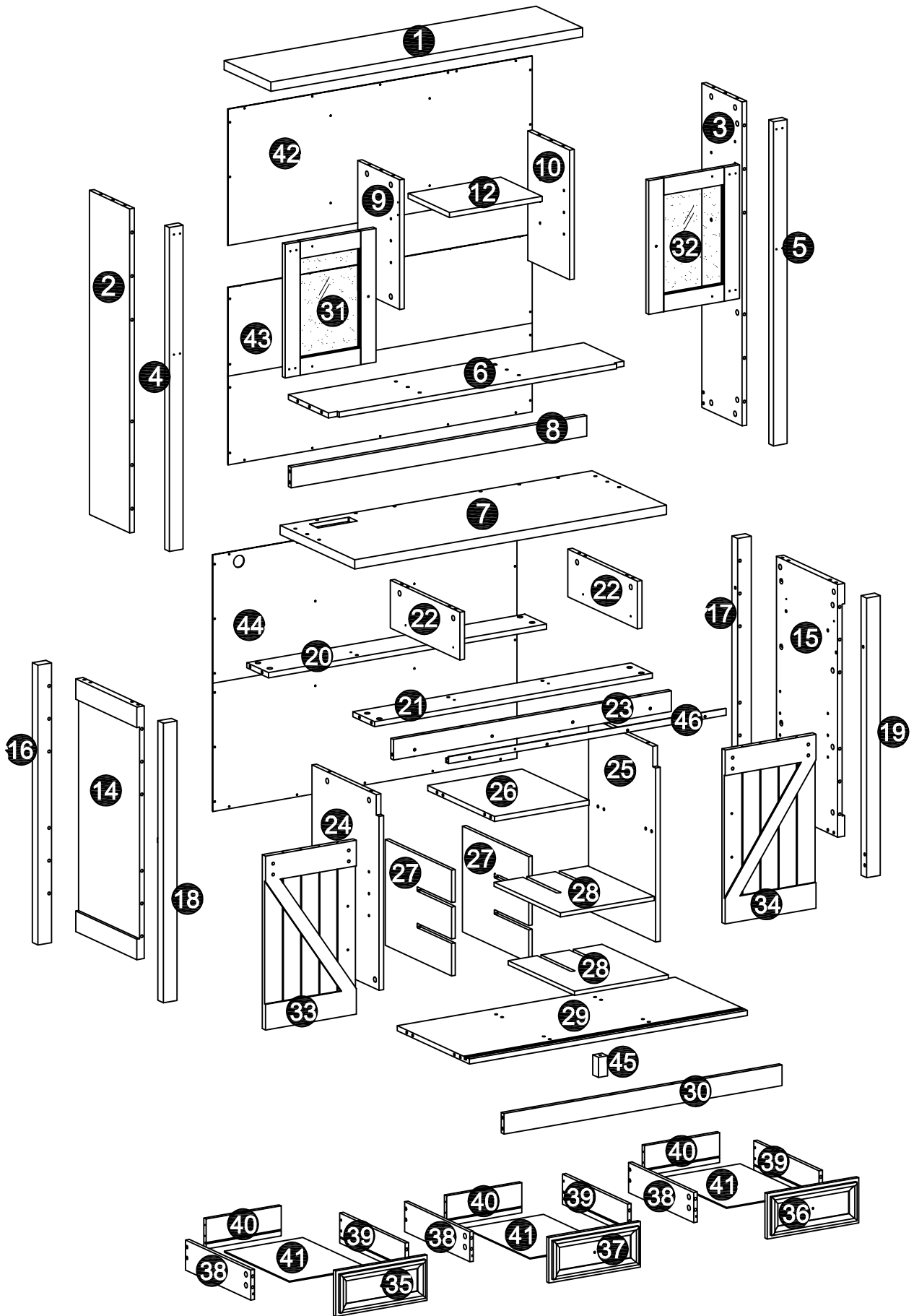
Send email with your question, pic and order NO.



Respond within 24 hours





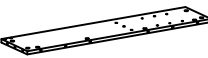




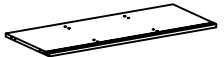






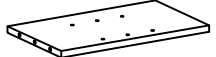

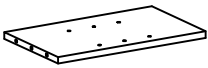
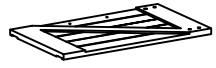













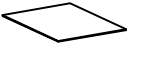



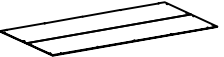

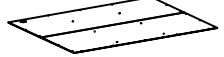


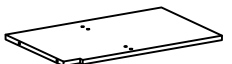




Issue resolved

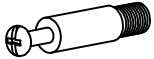




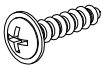



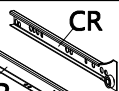


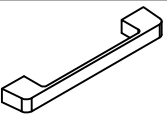
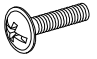

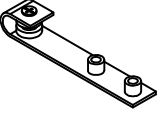
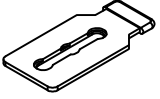



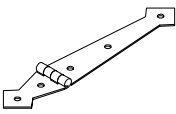
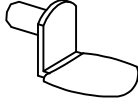
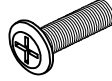
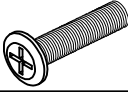



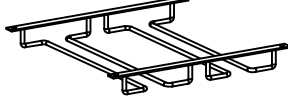
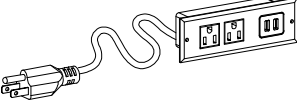
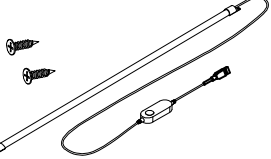
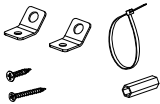

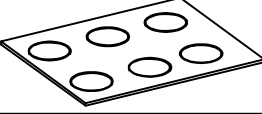

Note: Don't tighten all screws during installation.

Components (A) 

	1 x1		25 x1
	2 x1		26 x1
	3 x1		27 x2
	4 x1		28 x2
	5 x1		29 x1
	6 x1		30 x1
	7 x1		31 x1
	8 x1		32 x1
	9 x1		33 x1
	10 x1		34 x1
	12 x1		35 x1
	14 x1		36 x1
	15 x1		37 x1
	16 x1		38 x3
	17 x1		39 x3
	18 x1		40 x3
	19 x1		41 x3
	20 x1		42 x1
	21 x1		43 x1
	22 x2		44 x1
	23 x1		45 x1
	24 x1		46 x1

Screws & Tools 

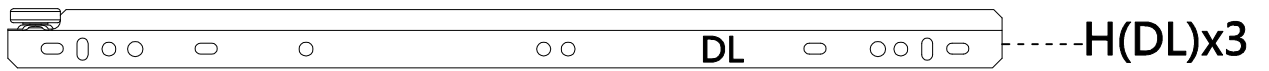
A			x108+2
B		Ø15 x 9mm	x108+2
C		Ø8 x 30mm	x54+1
D		Ø3.5 x 35mm	x12
E		Ø3 x 12mm	x38+1
F		Ø3 x 14mm	x62+1
G		Ø3.5 x 12mm	x20
H	 	14"	x3
	 	14"	x3
I			x5
J		128mm	x2
K		M4 x 16mm	x9+1
L		Ø3 x 14mm	x8
M			x4
N			x4

O		Ø3.5 x 14mm	x16+1
P			x4
Q			x4
R		M6 x 14mm	x8
S		M6 x 25mm	x4
T	 		x2
U		M6 x 30mm	x1
V			x2
W			x1
X			x1
Y			x2
Z		Ø4 x 50mm	x4
			x20
			8x+1

Check all the components & screws before assembly.
Do not install in case part is missing, contact us to get.

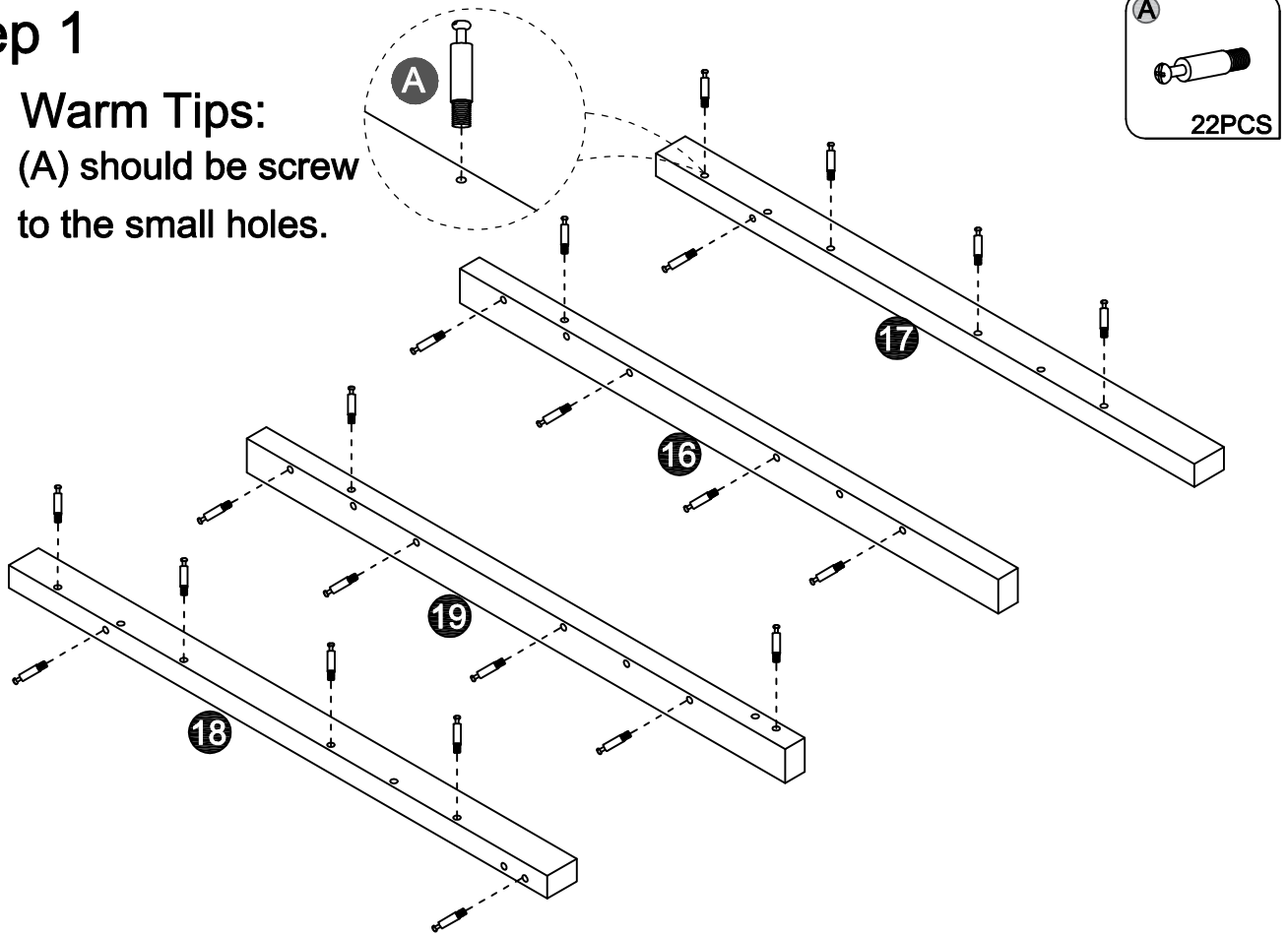
HARDWARE

LIST



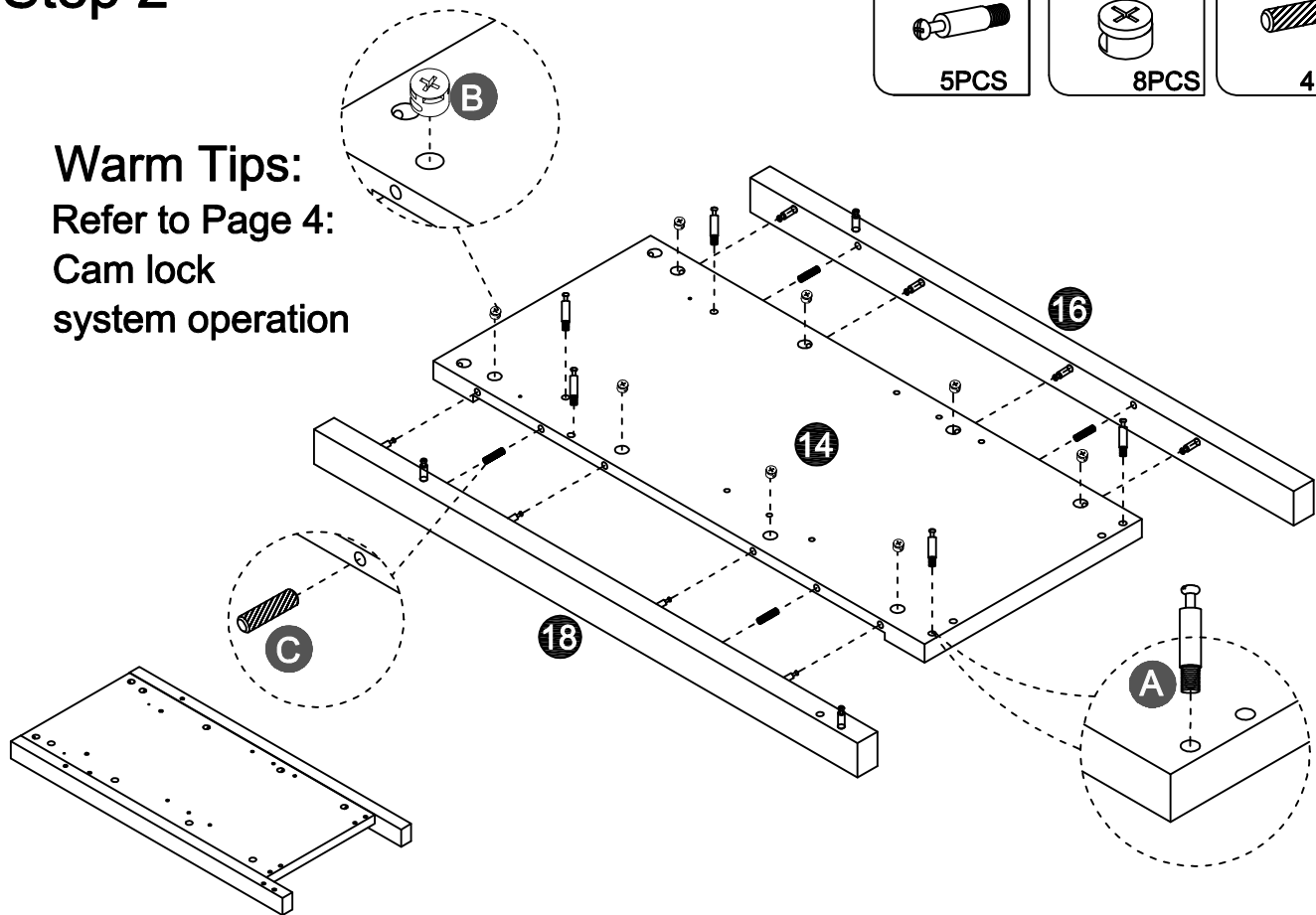
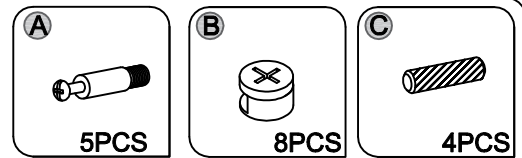
Step 1

Warm Tips:
(A) should be screw
to the small holes.

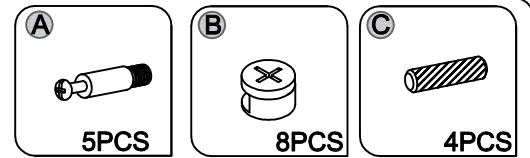


Step 2

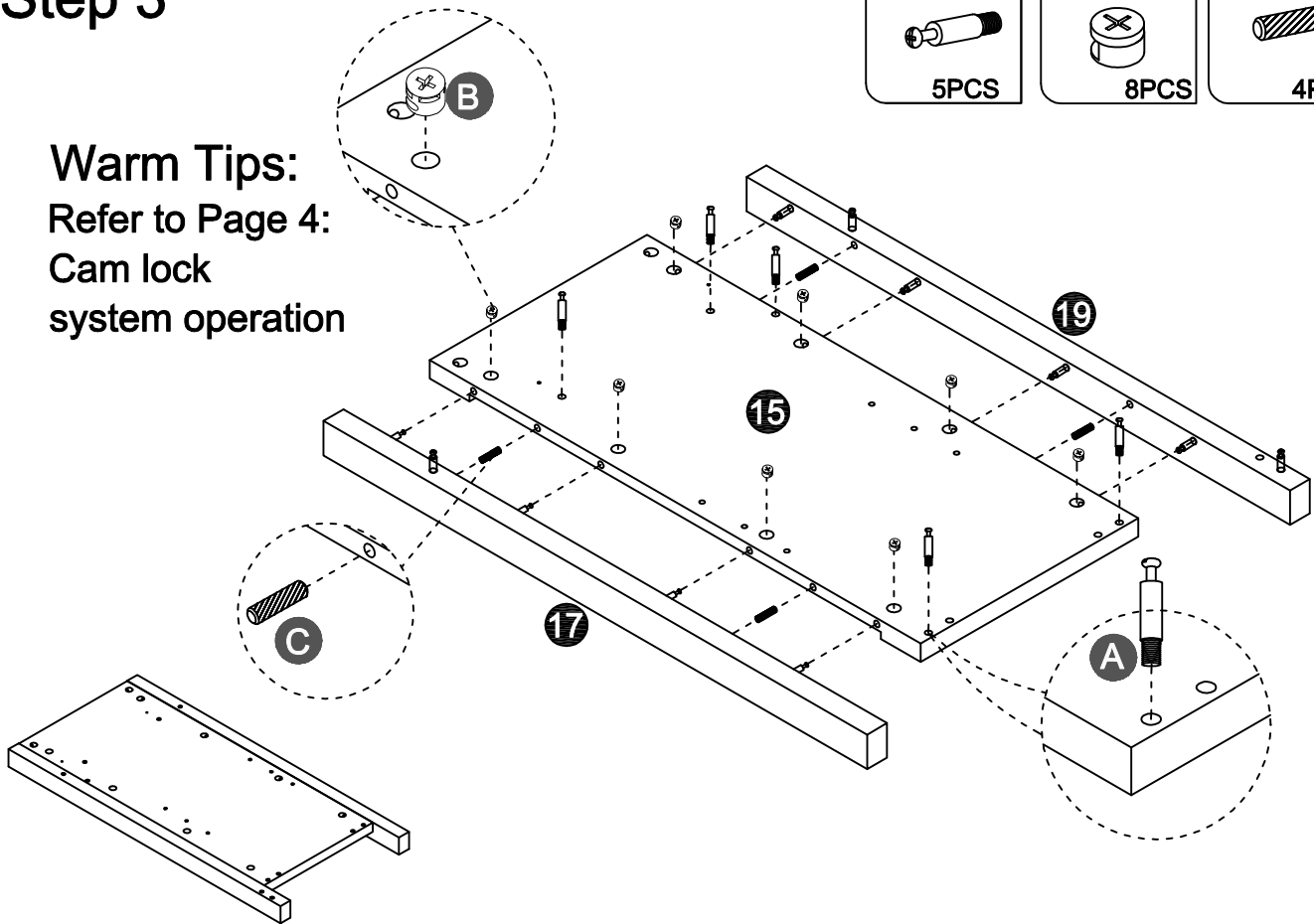
Warm Tips:
Refer to Page 4:
Cam lock
system operation



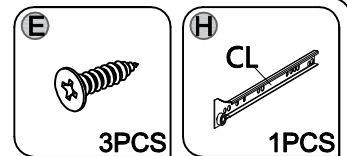
Step 3



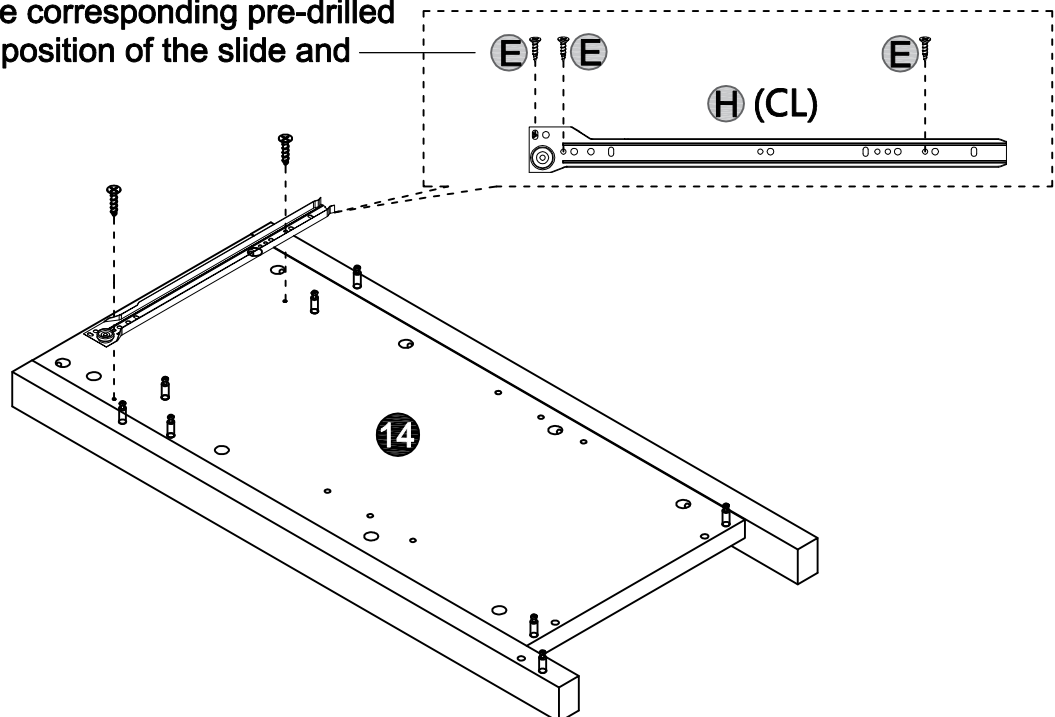
Warm Tips:
Refer to Page 4:
Cam lock
system operation



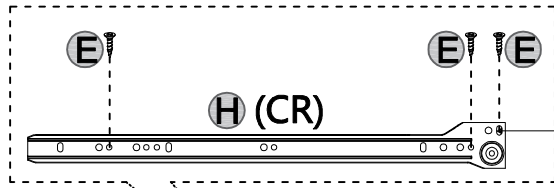
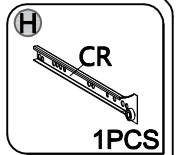
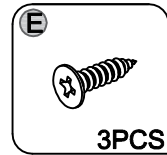
Step 4



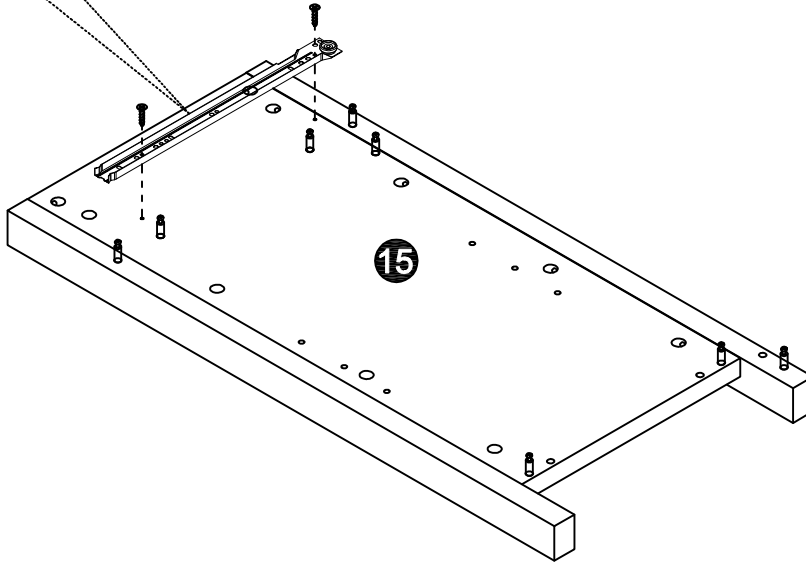
The first hole in the UPPER row holes of the slide is without the corresponding pre-drilled hole, after fix the position of the slide and then screw on.



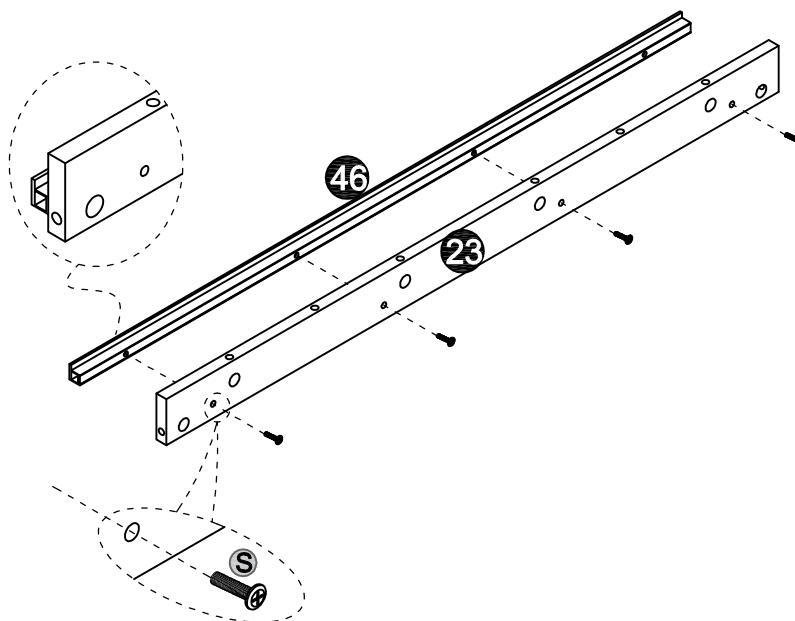
Step 5



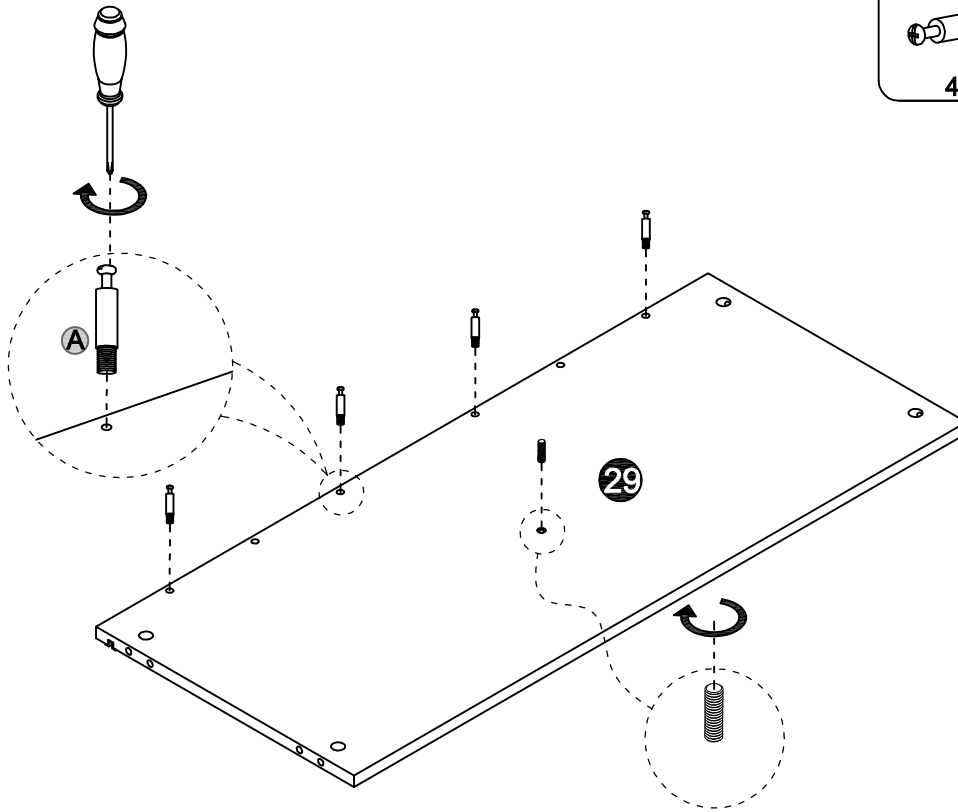
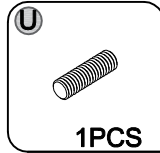
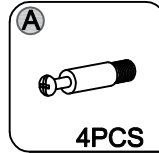
The first hole in the UPPER row holes of the slide is without the corresponding pre-drilled hole, after fix the position of the slide and then screw on.



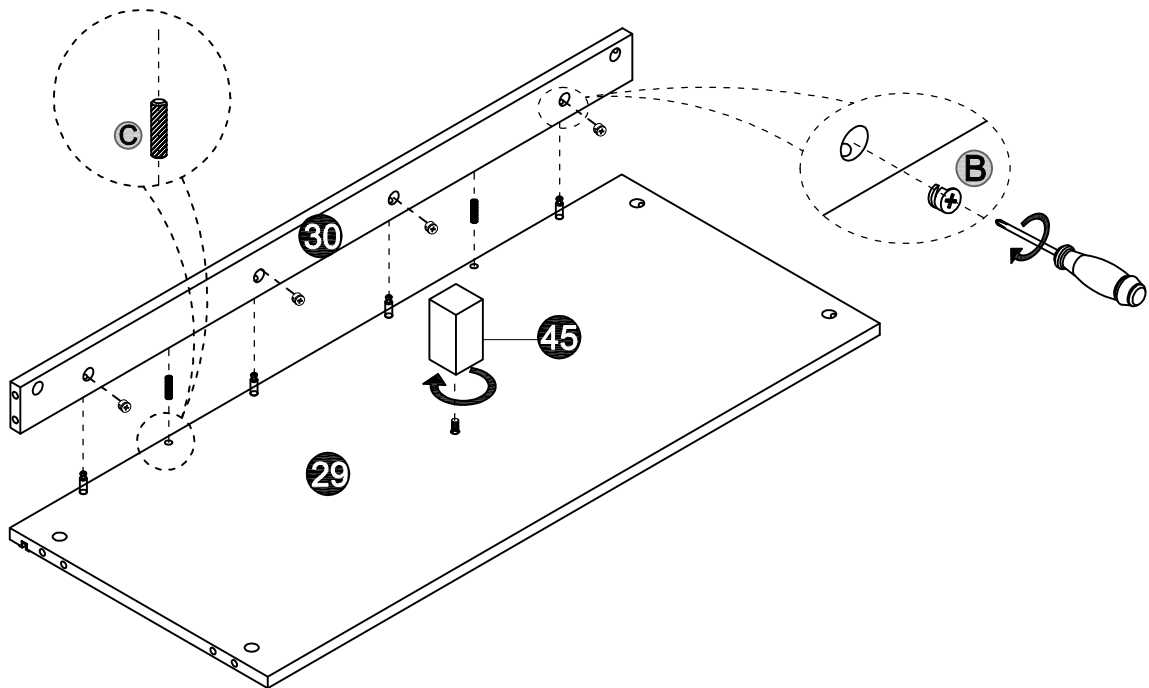
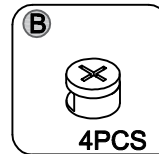
Step 6



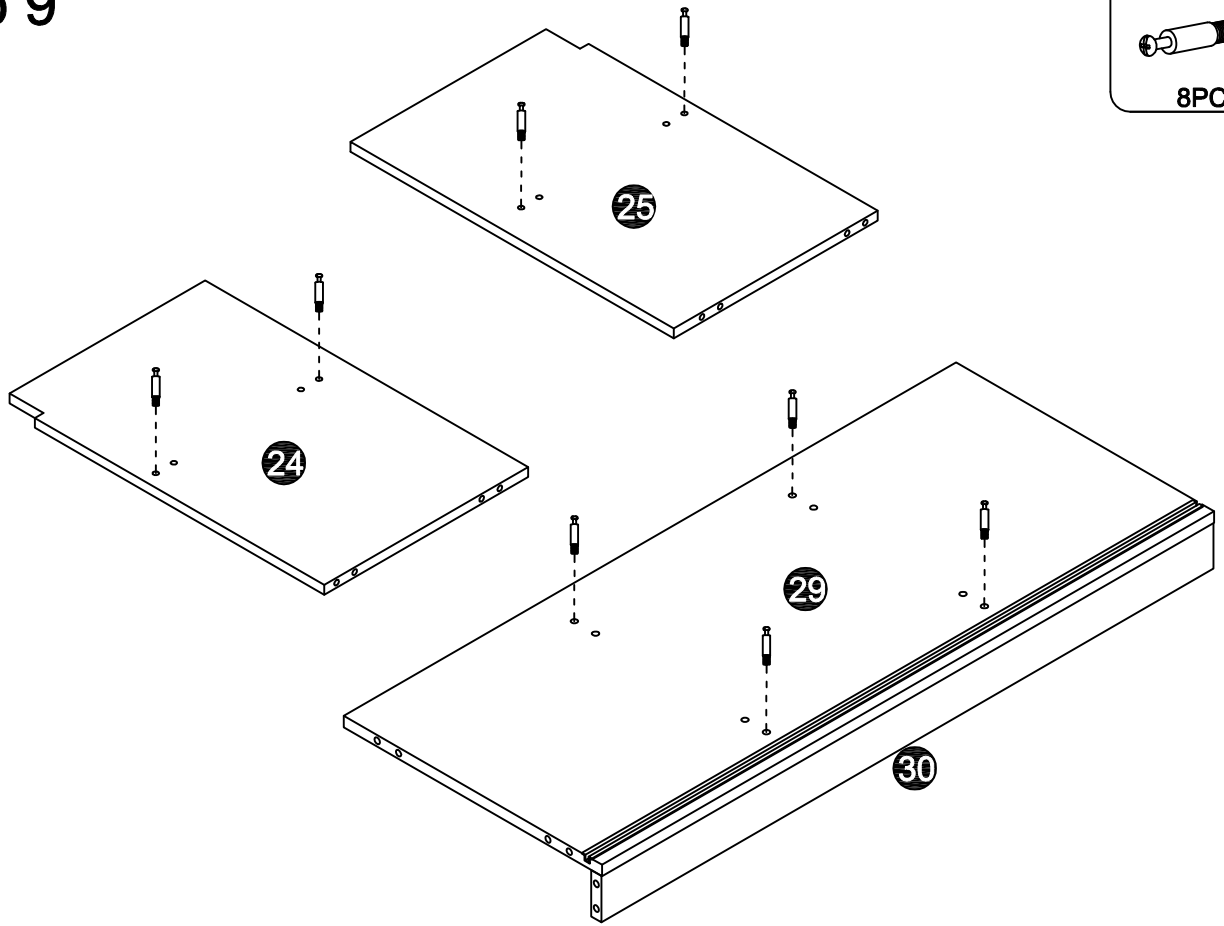
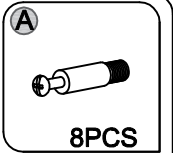
Step 7



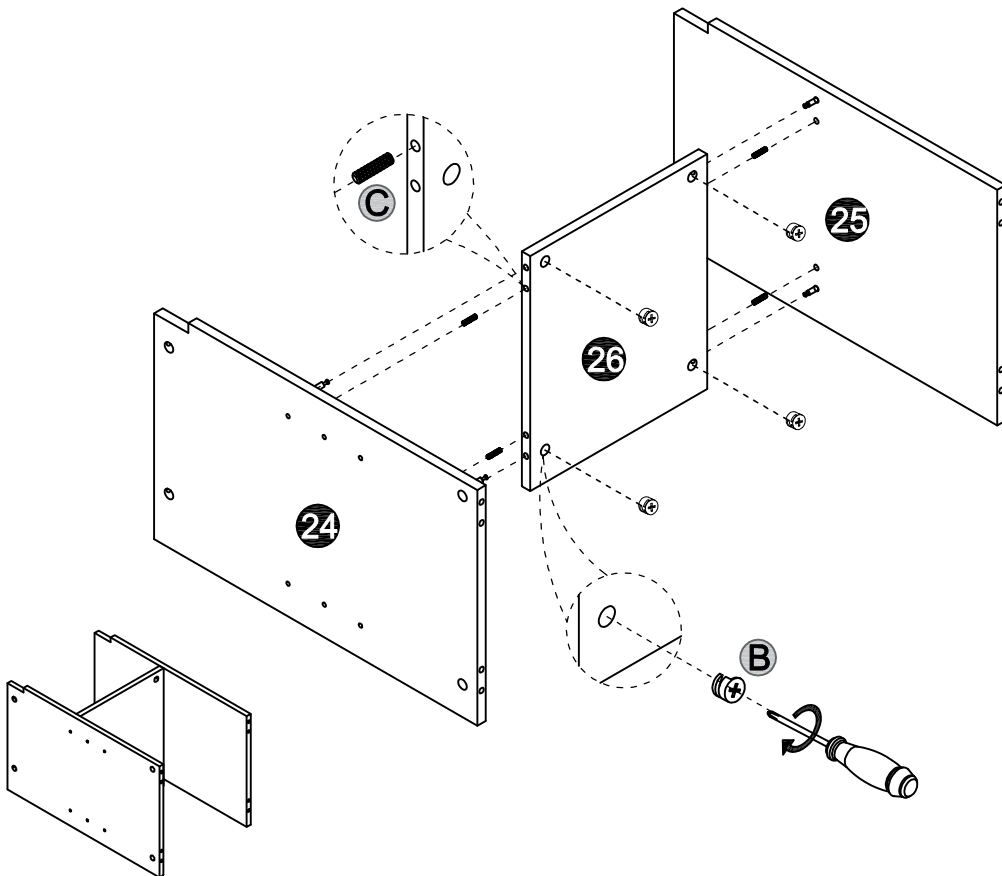
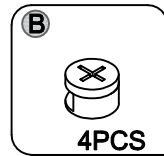
Step 8



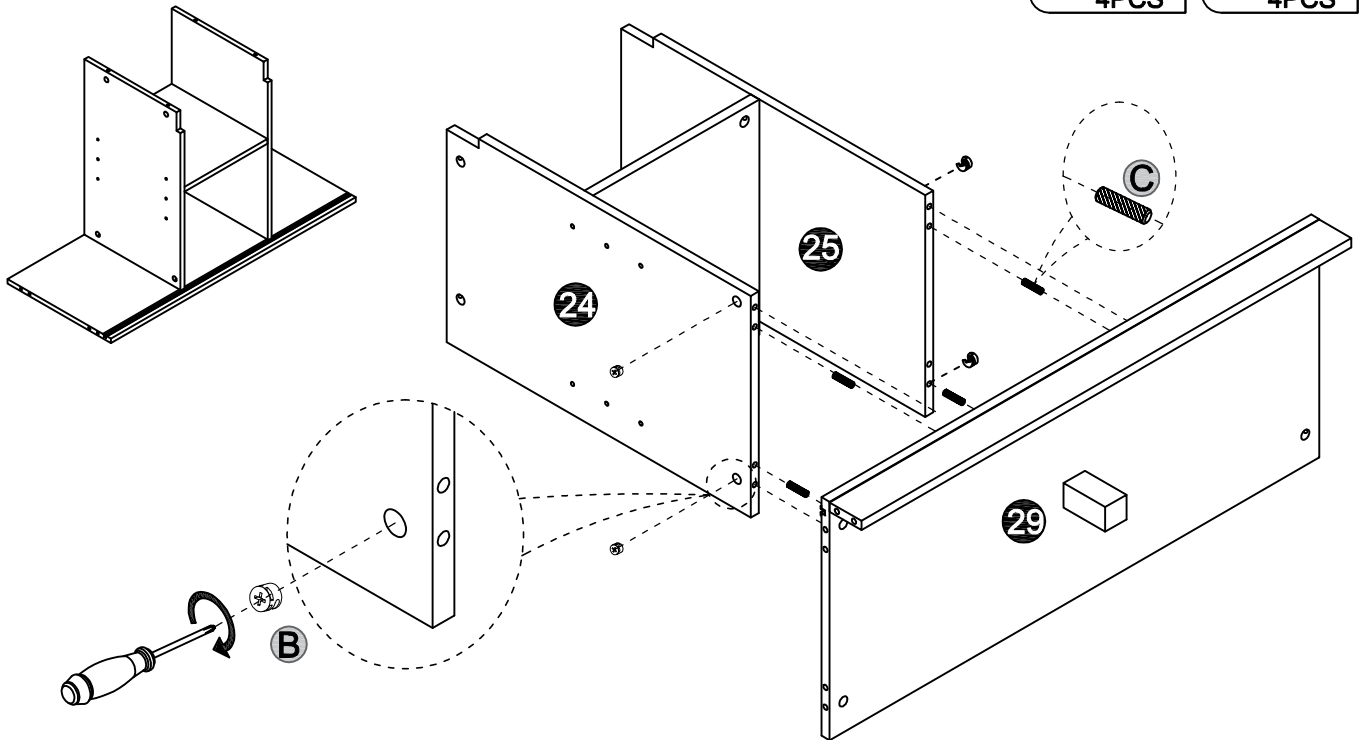
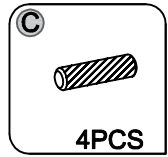
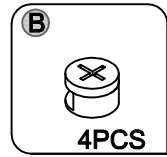
Step 9



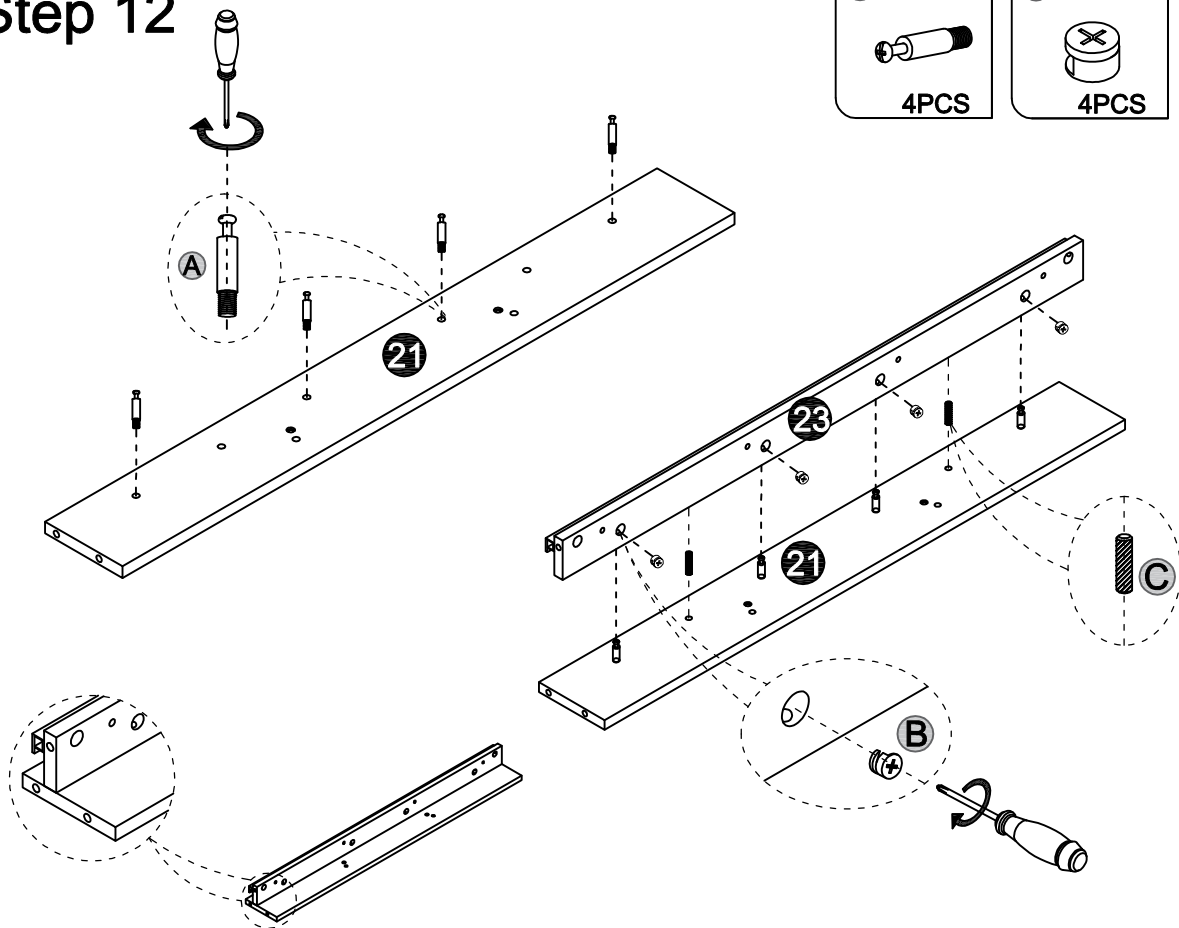
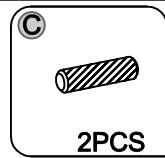
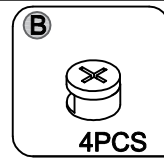
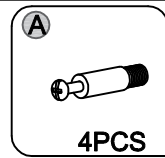
Step 10



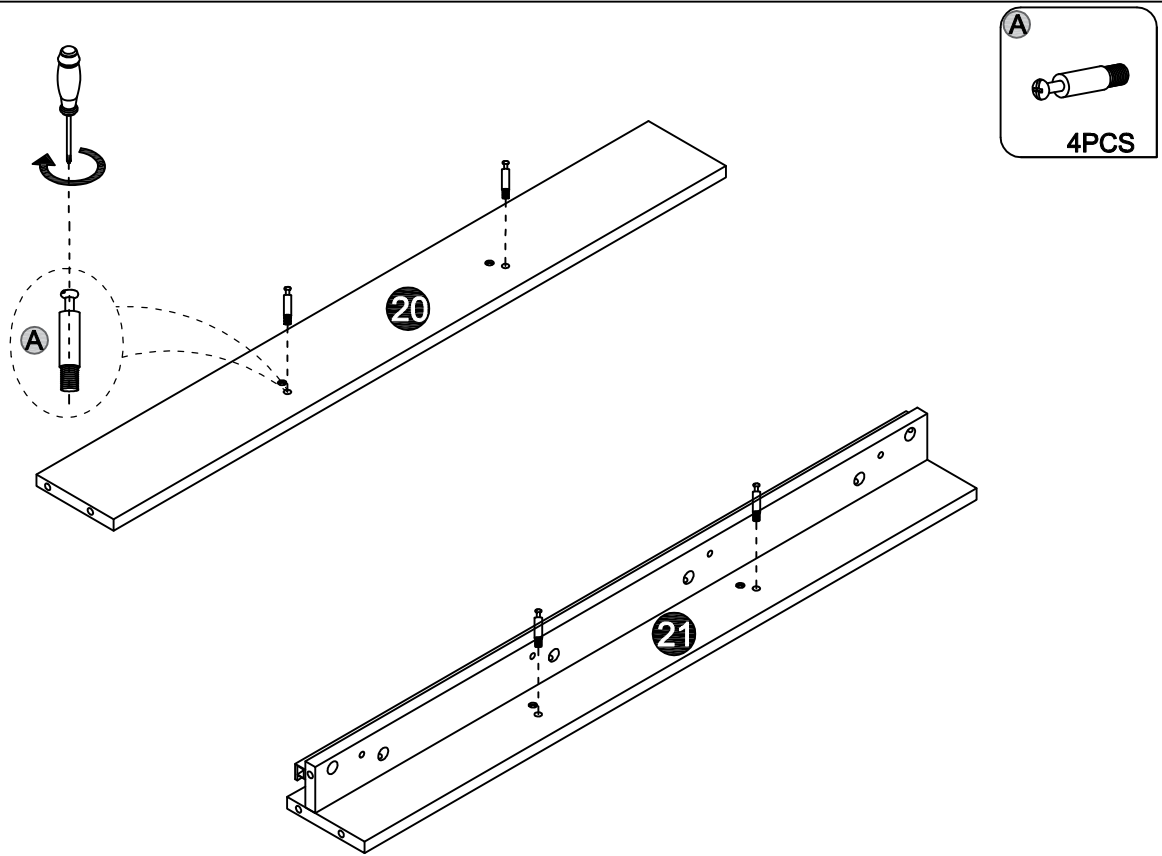
Step 11



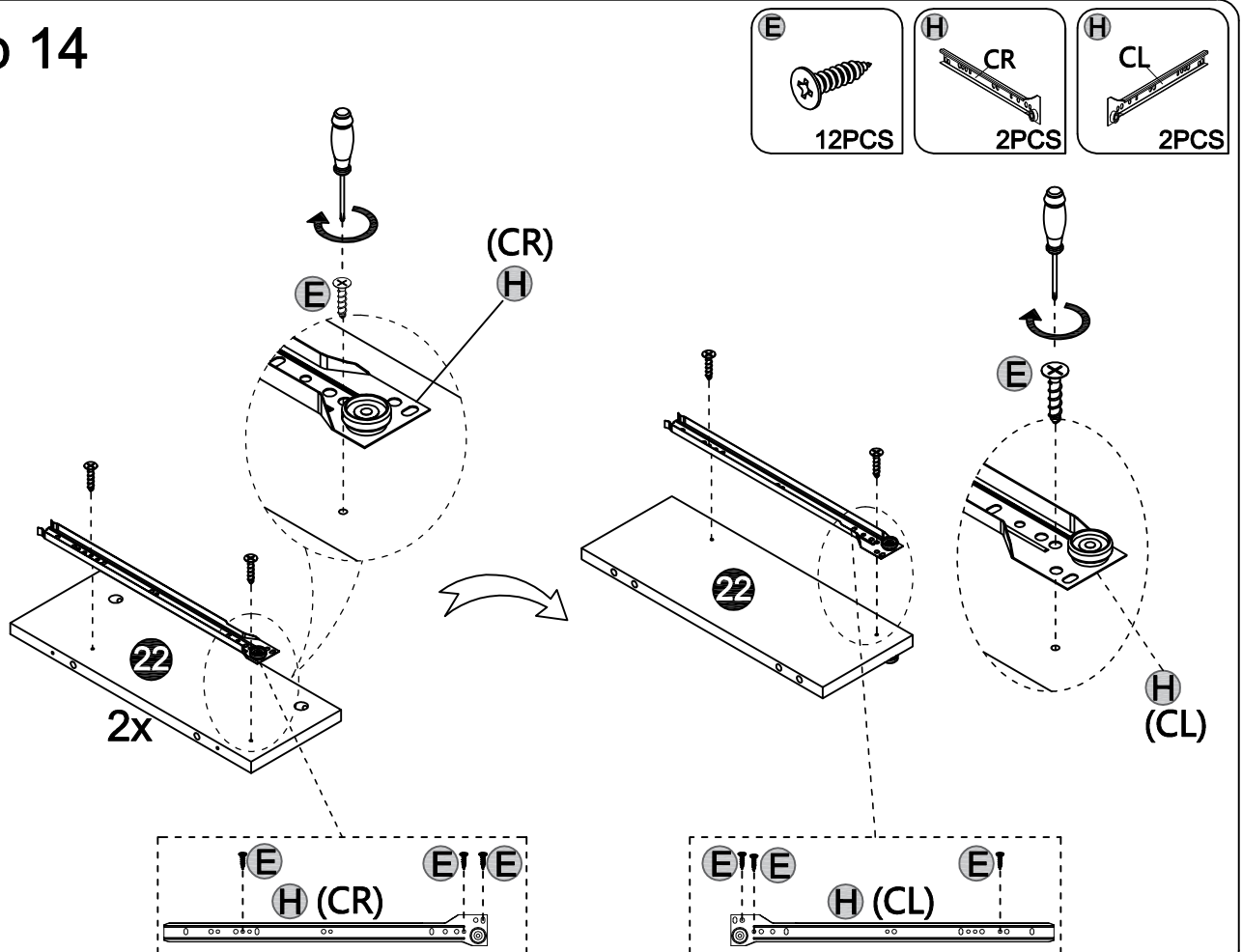
Step 12



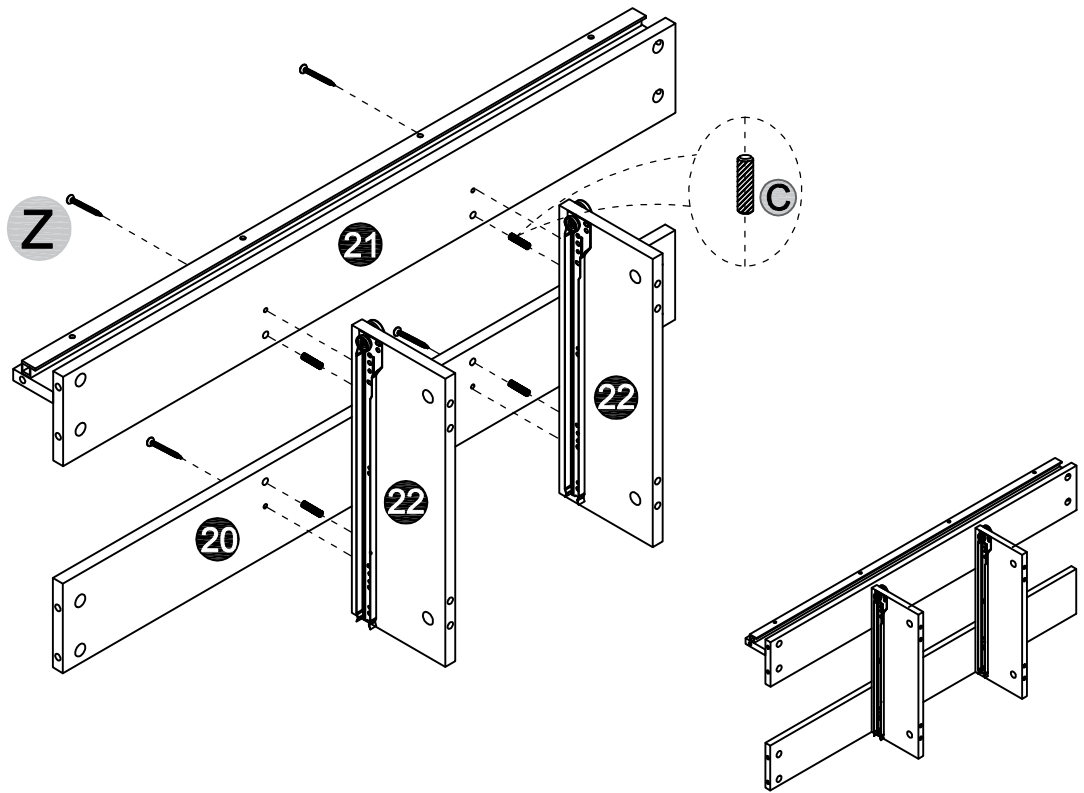
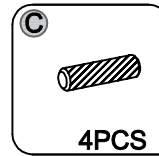
Step 13



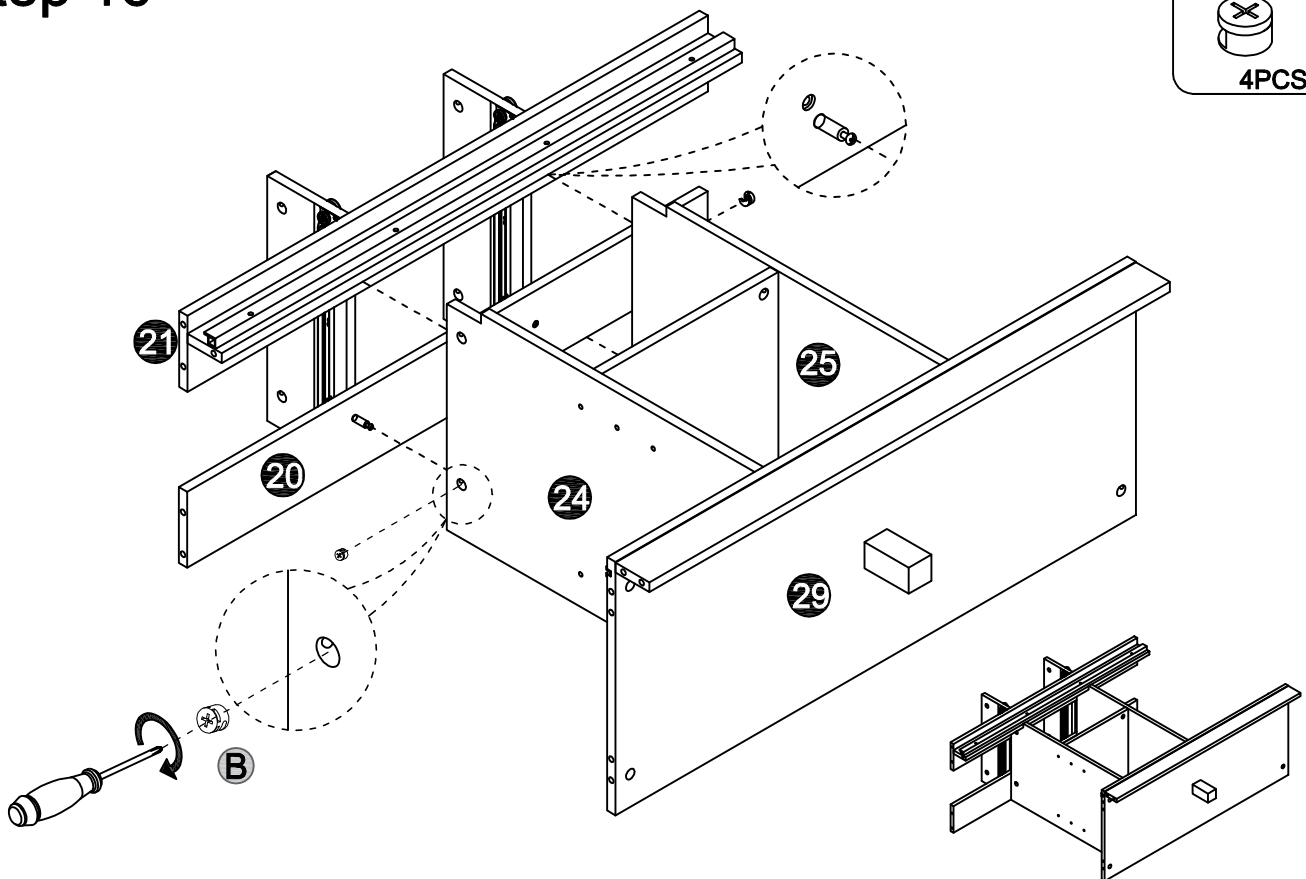
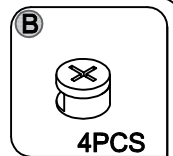
Step 14



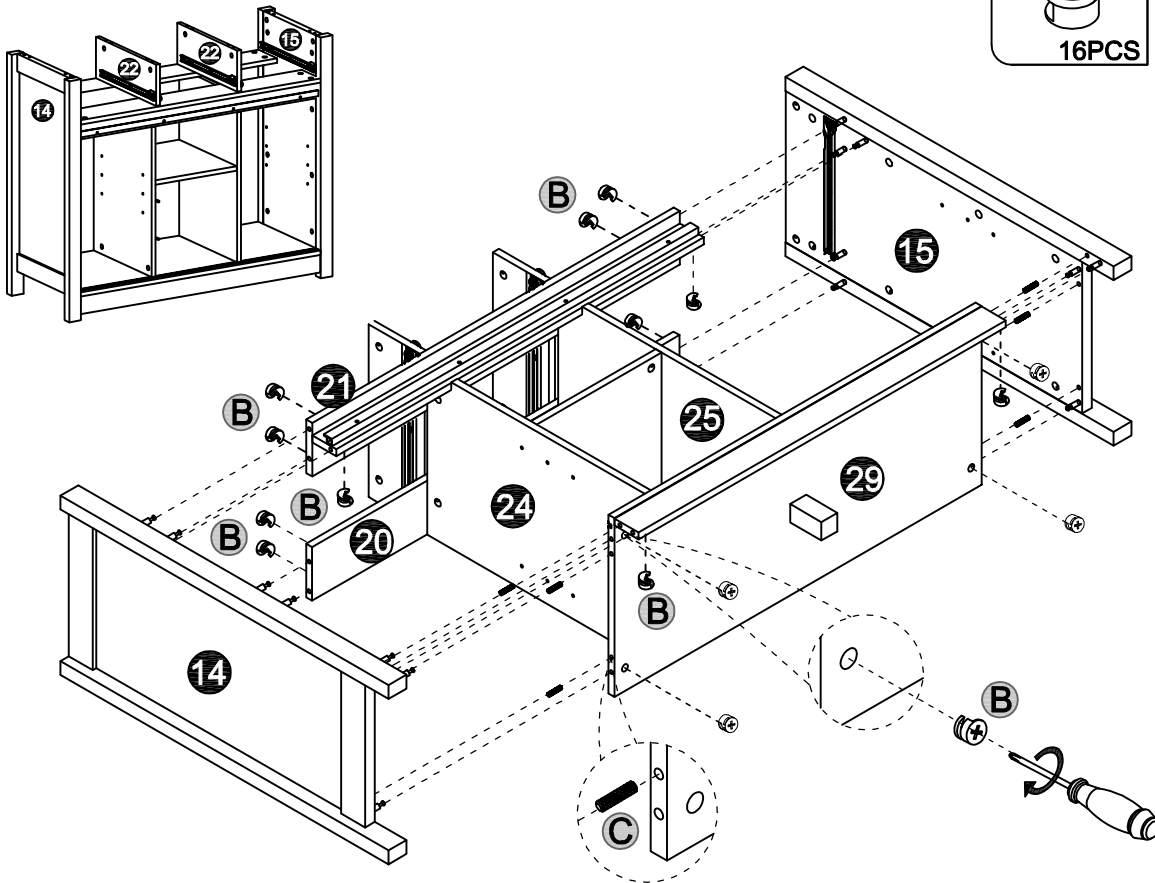
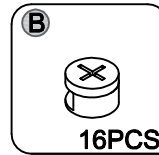
Step 15



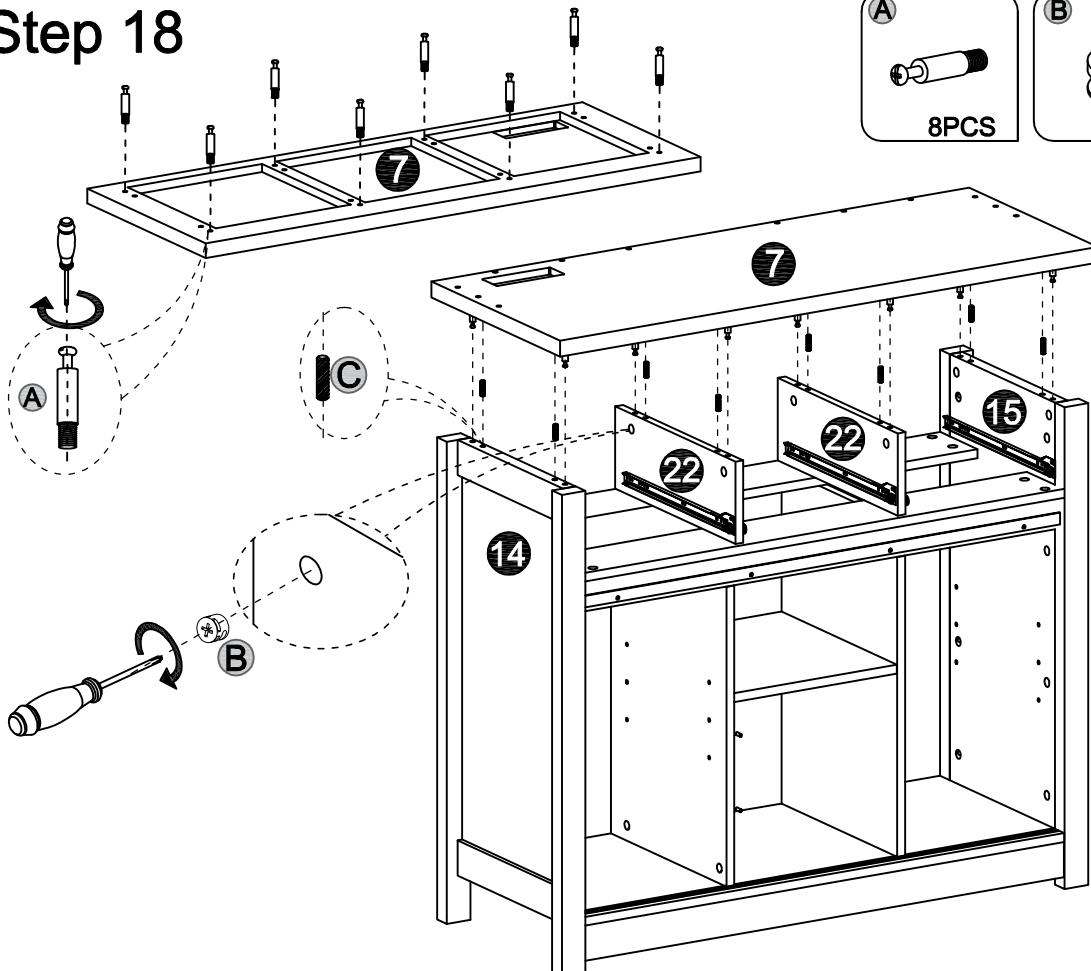
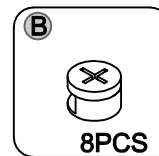
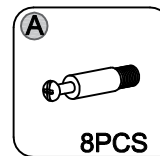
Step 16



Step 17

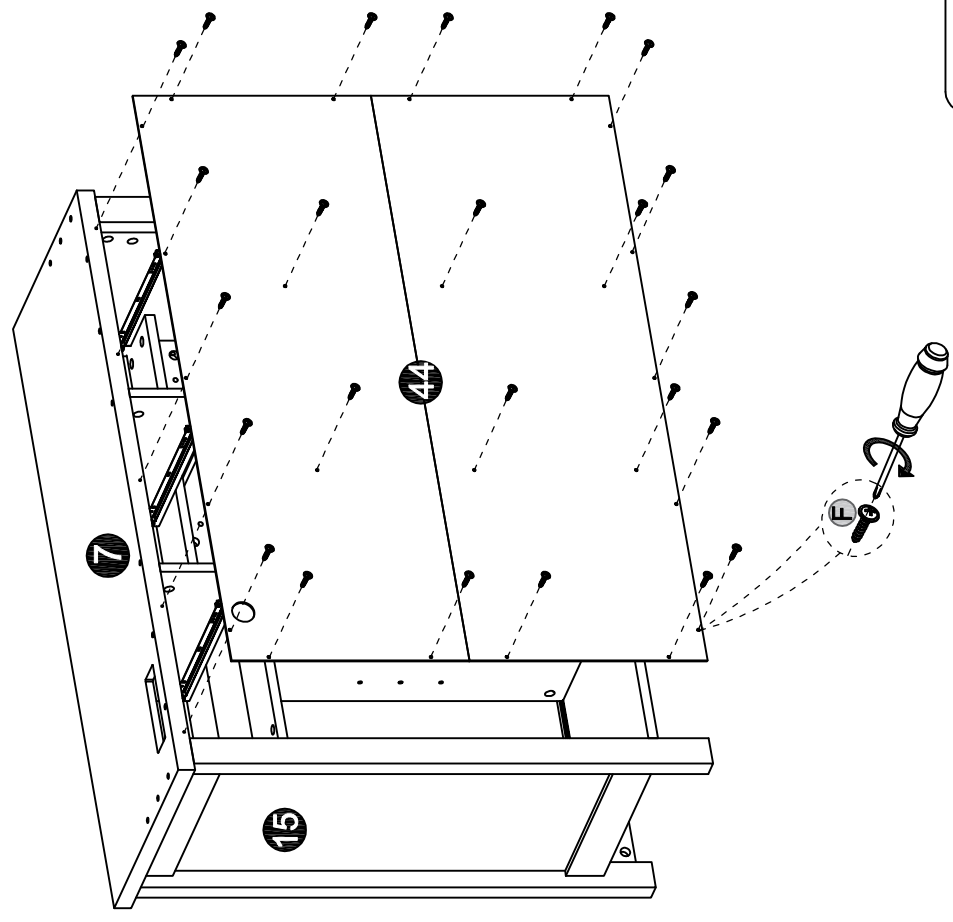


Step 18



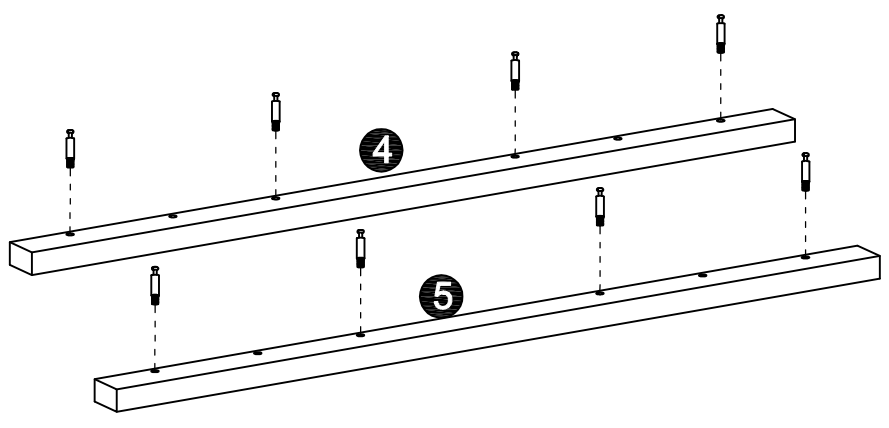
Step 19

F
28PCS

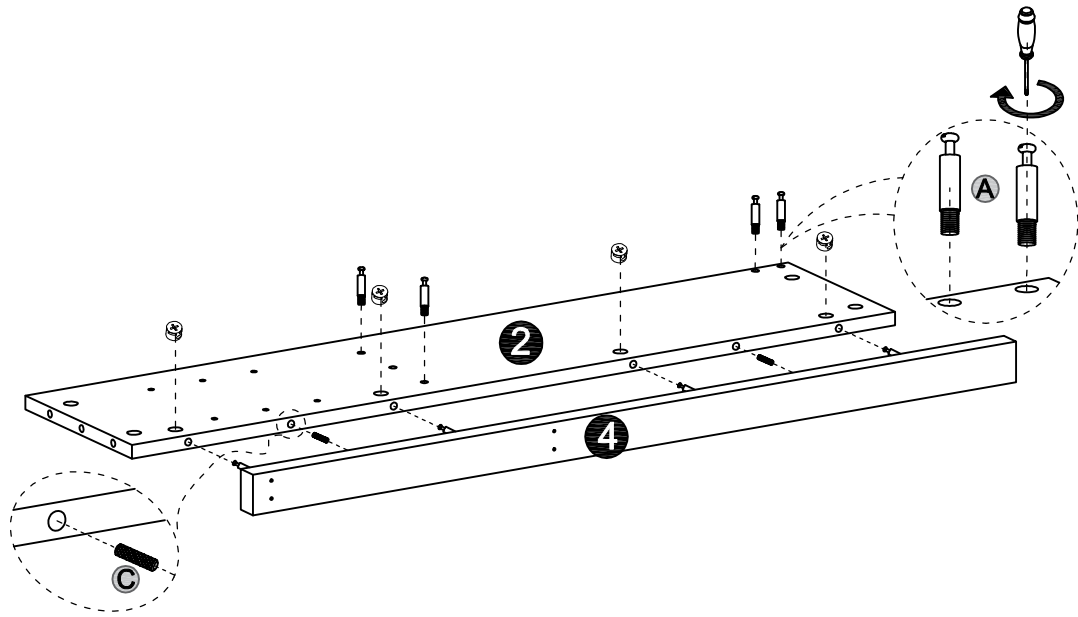
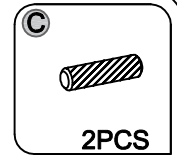
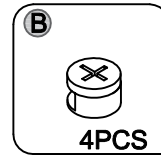
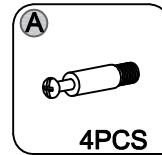


Step 20

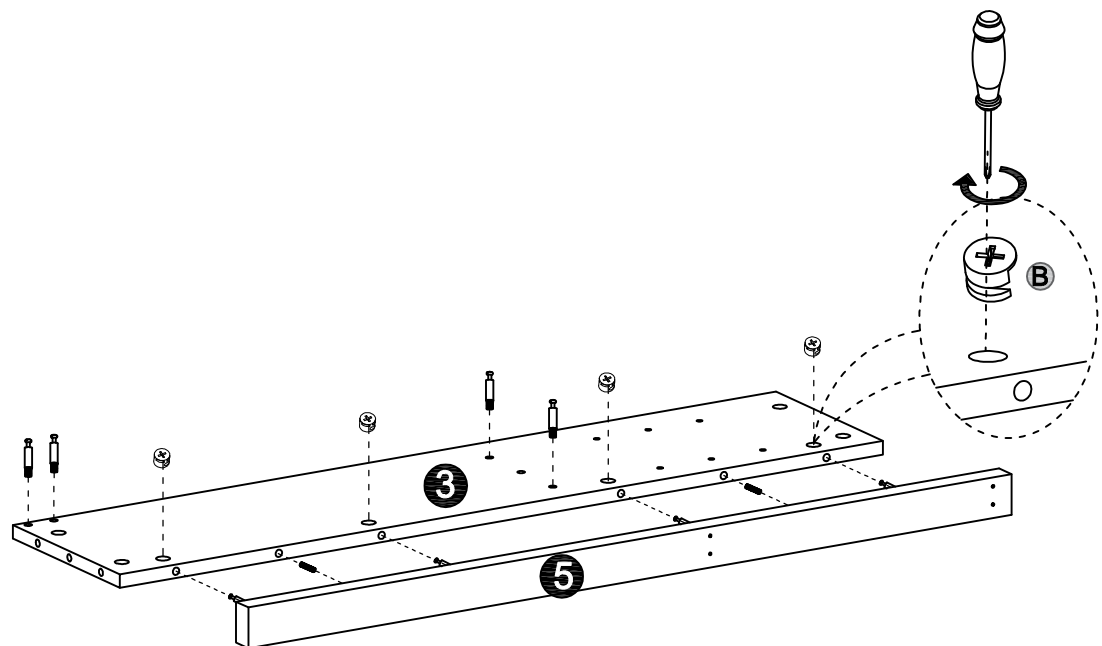
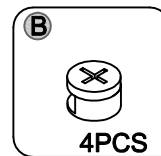
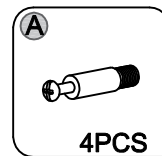
A
8PCS



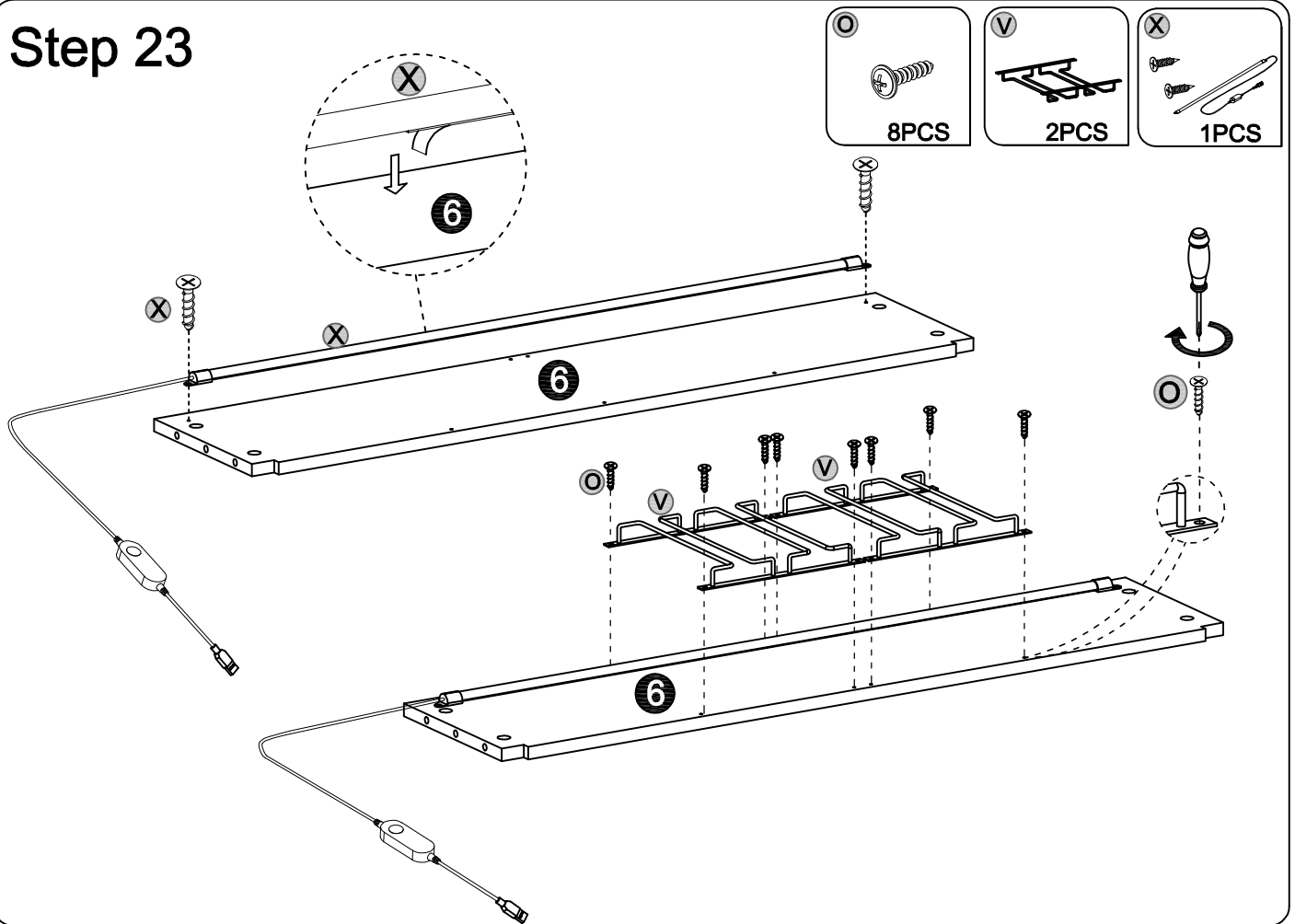
Step 21



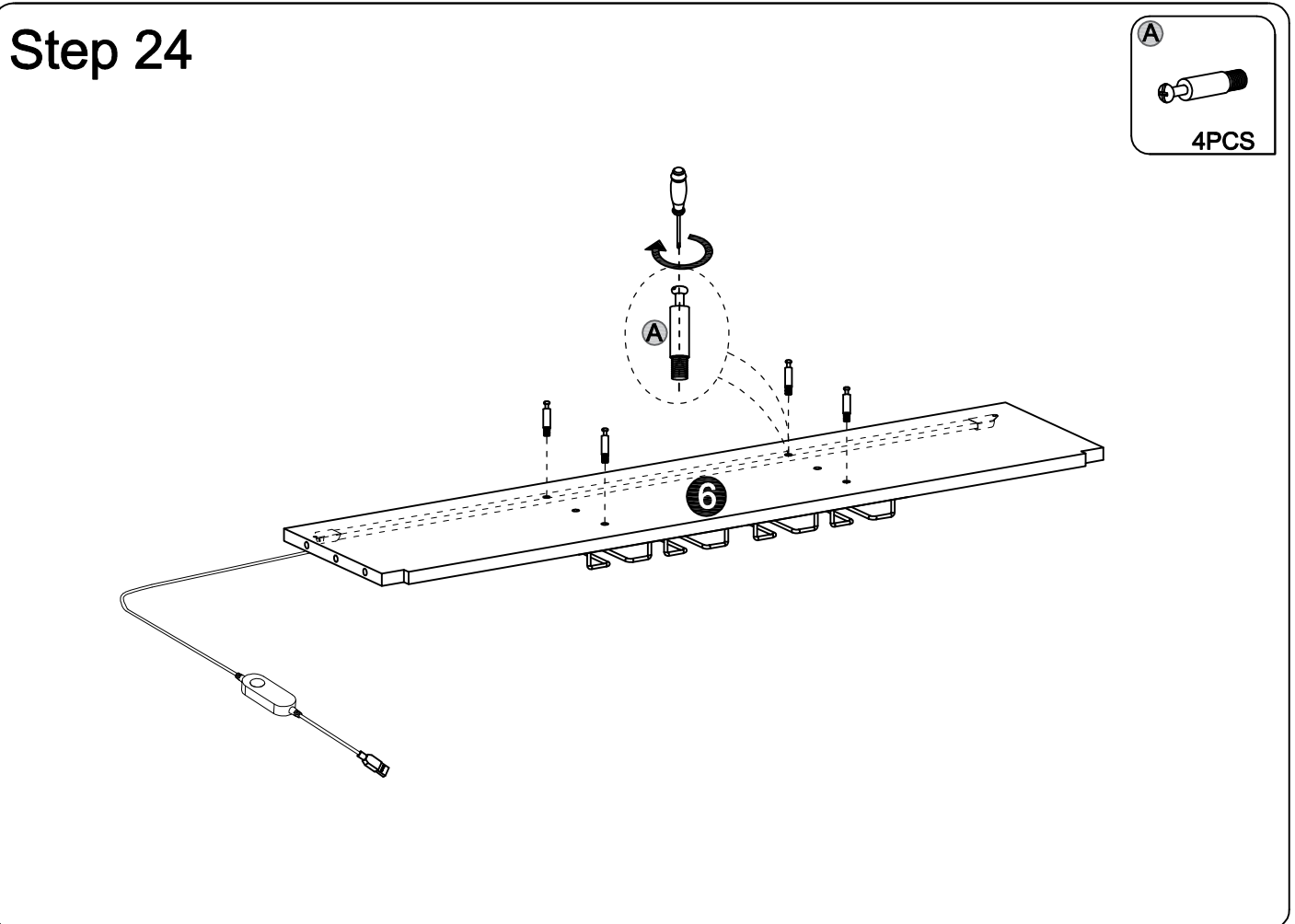
Step 22



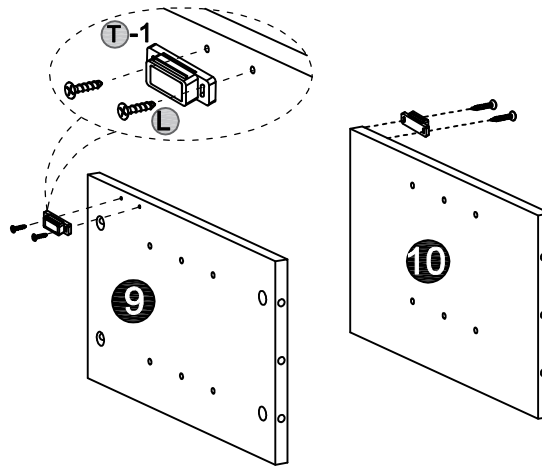
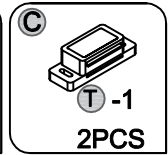
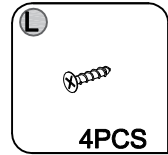
Step 23



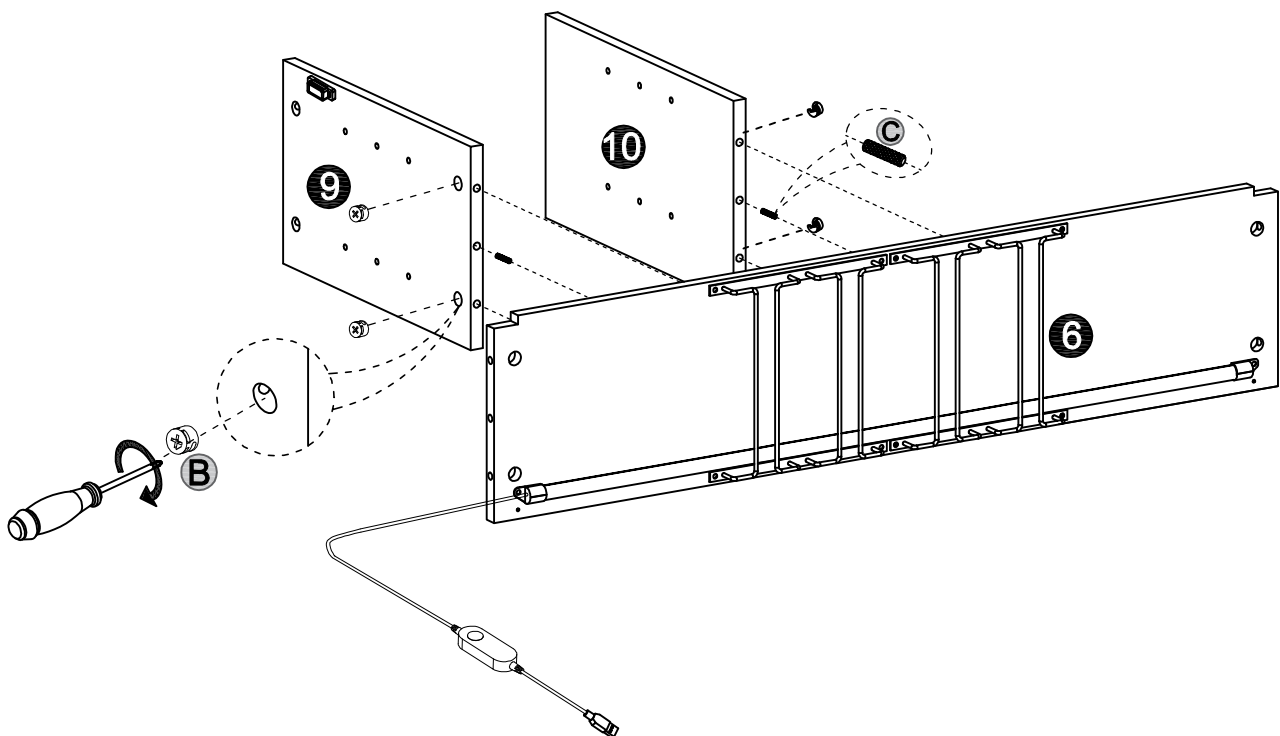
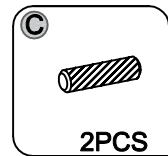
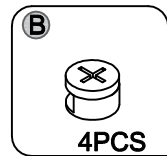
Step 24



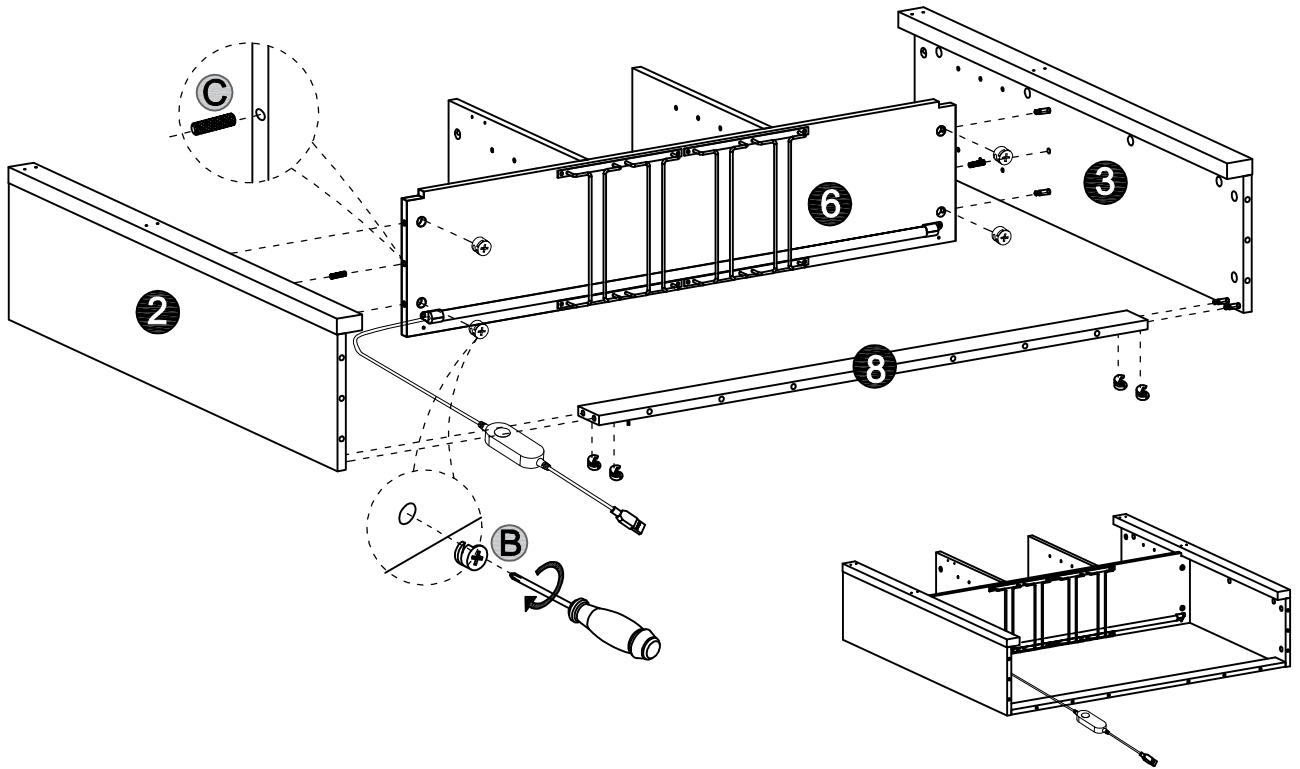
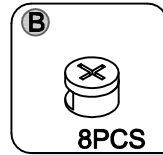
Step 25



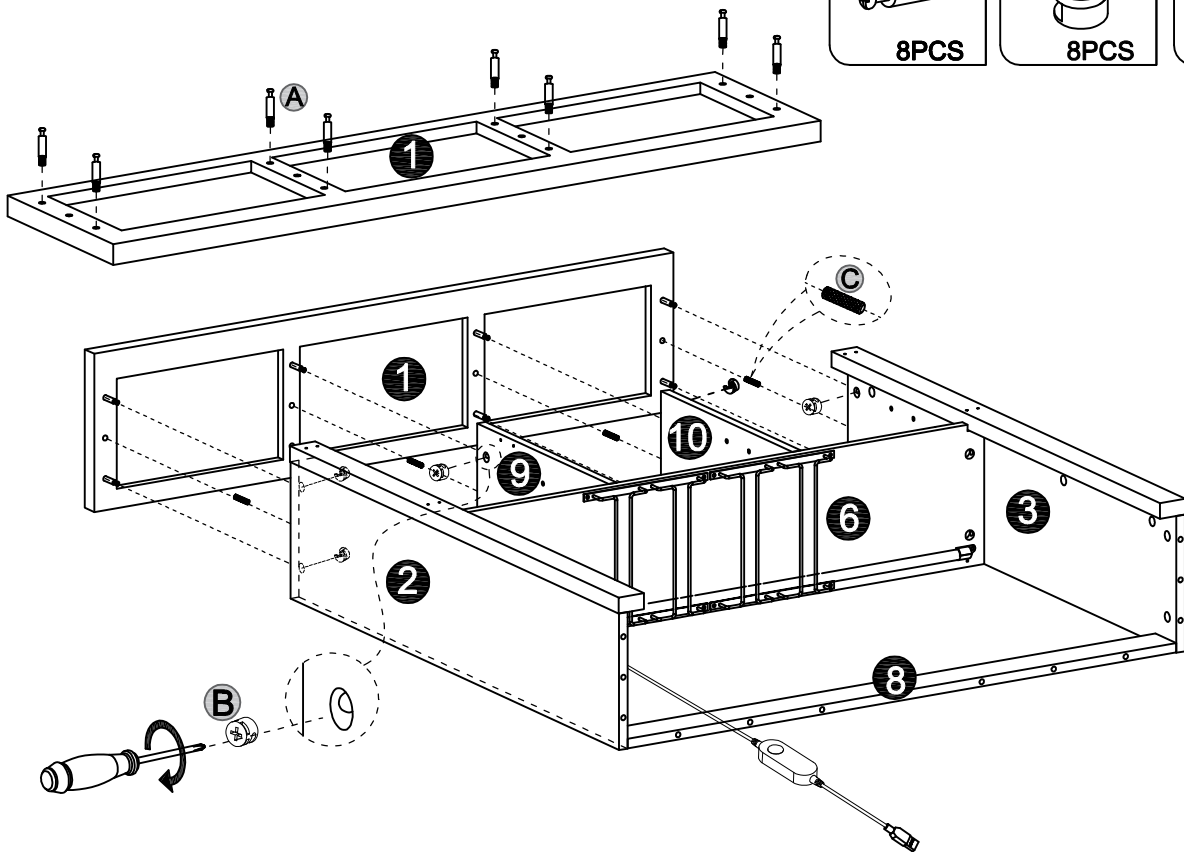
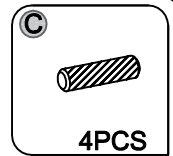
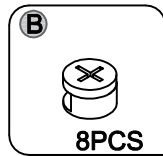
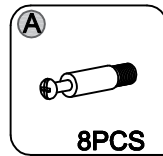
Step 26



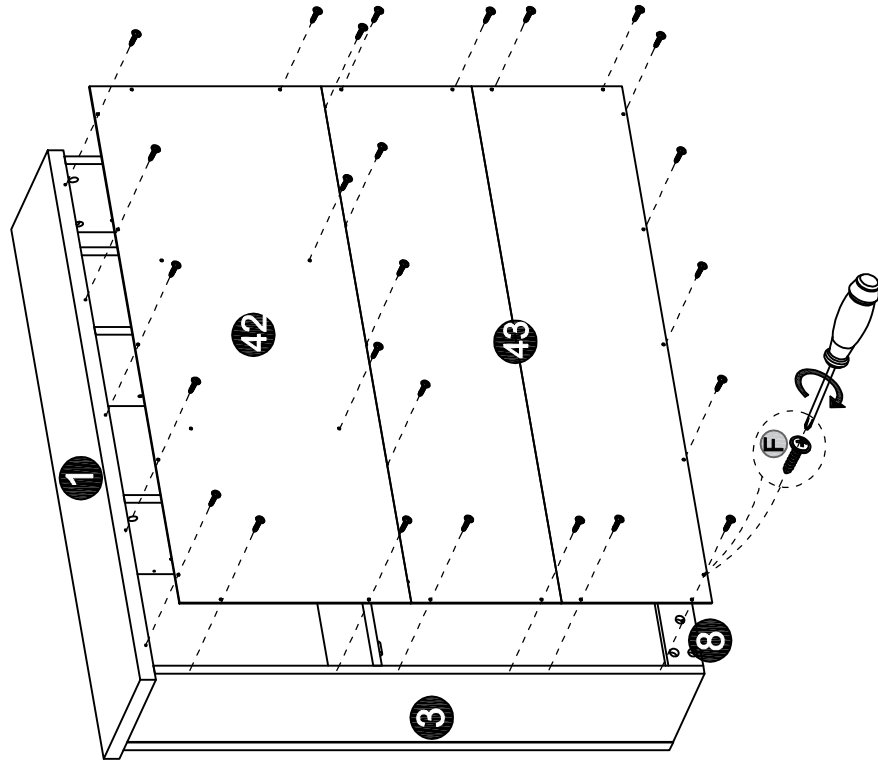
Step 27



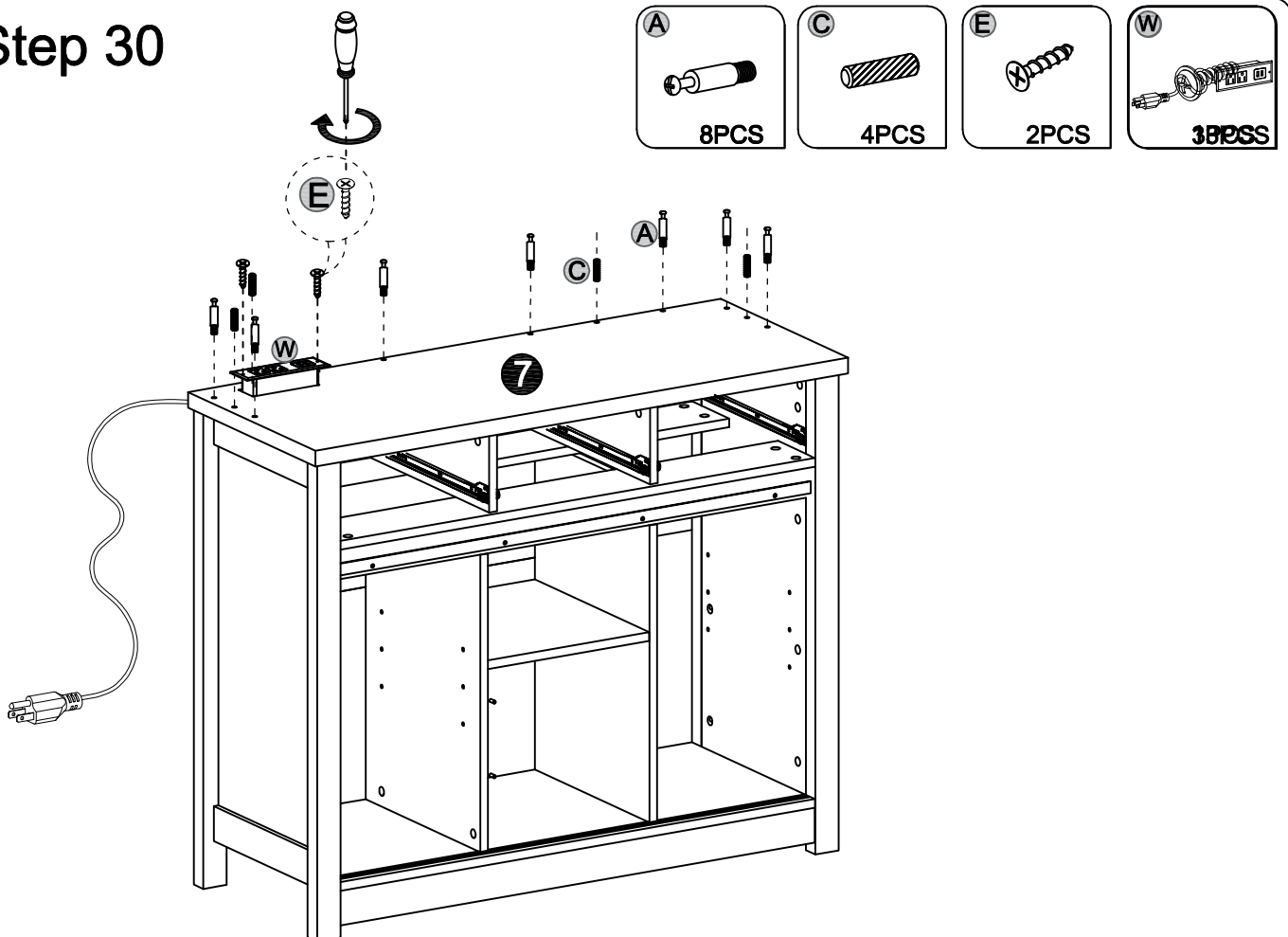
Step 28



Step 29

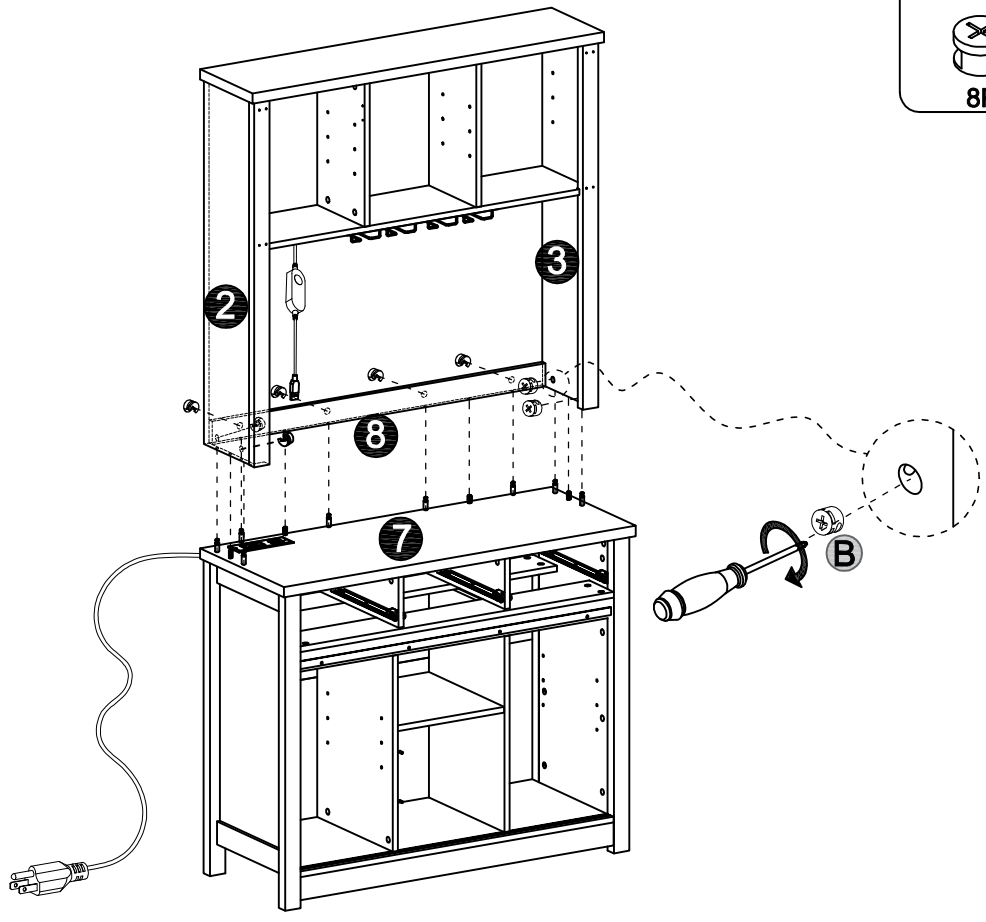


Step 30



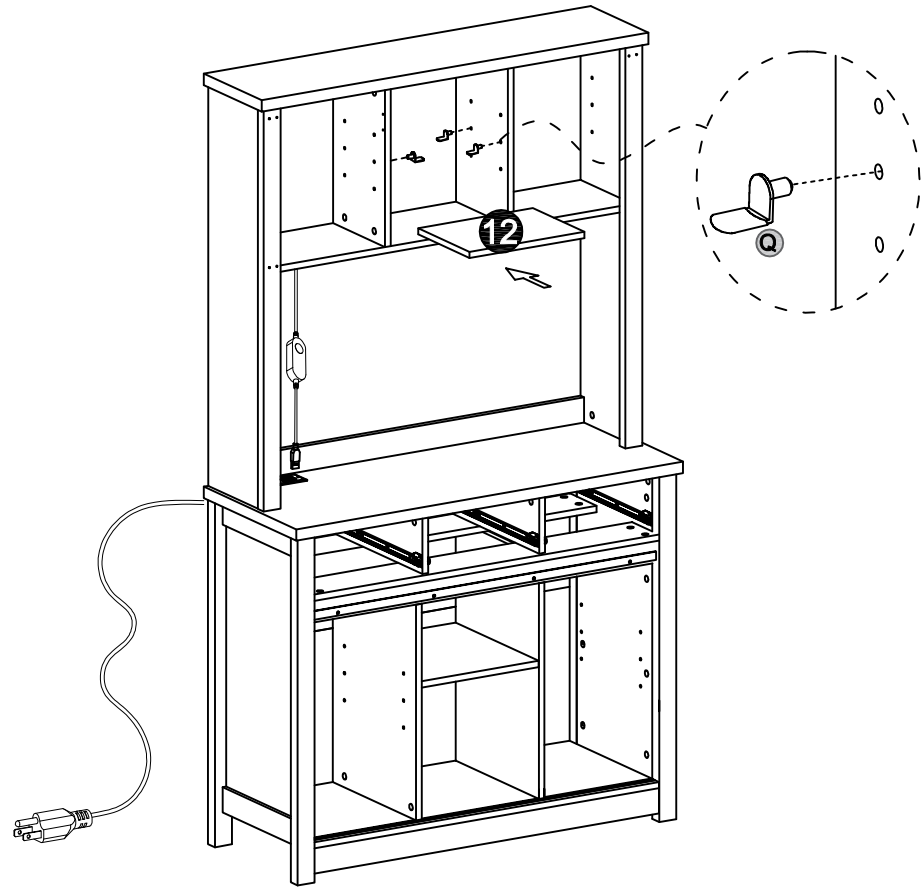
Step 31

B
8PCS

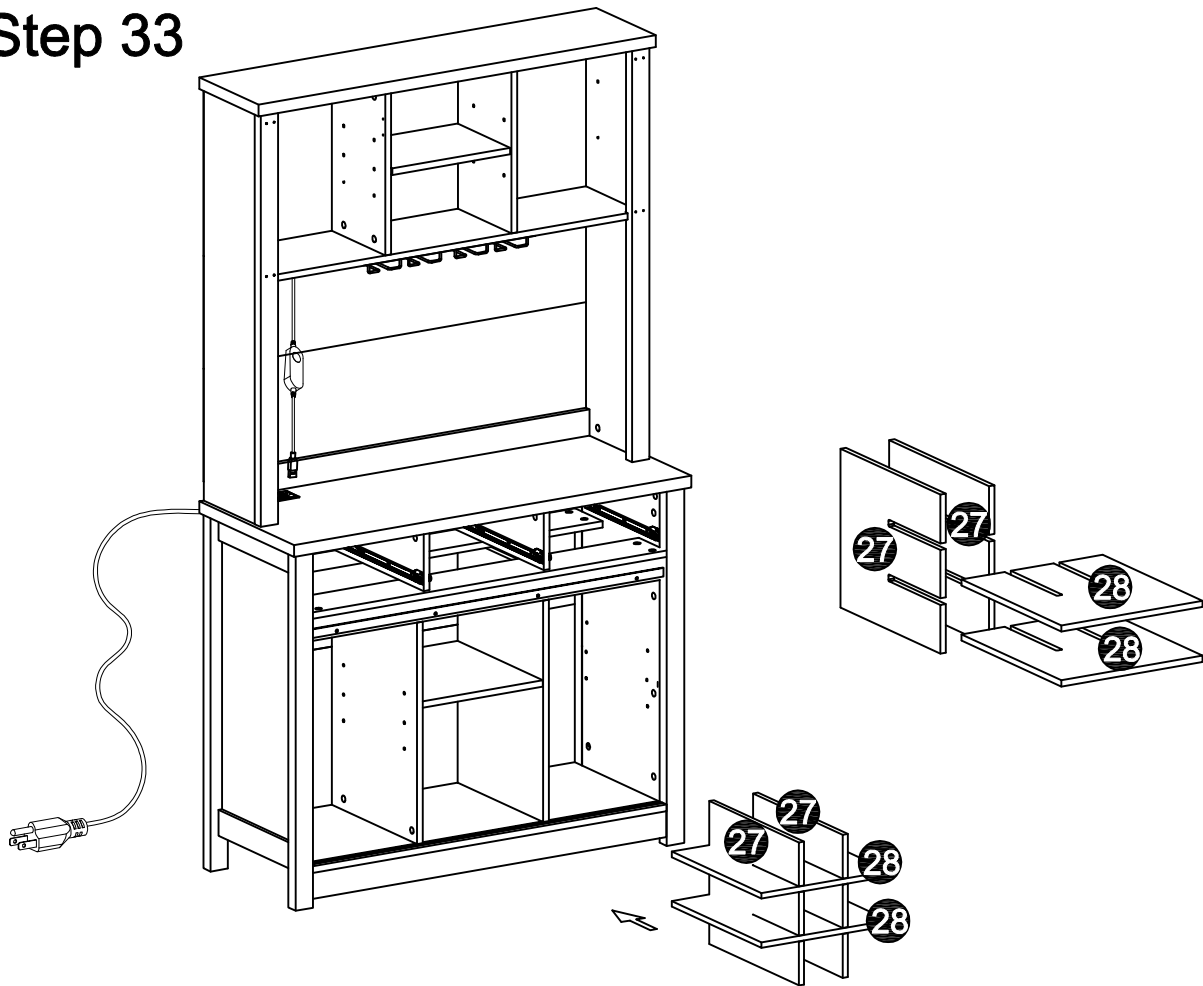


Step 32

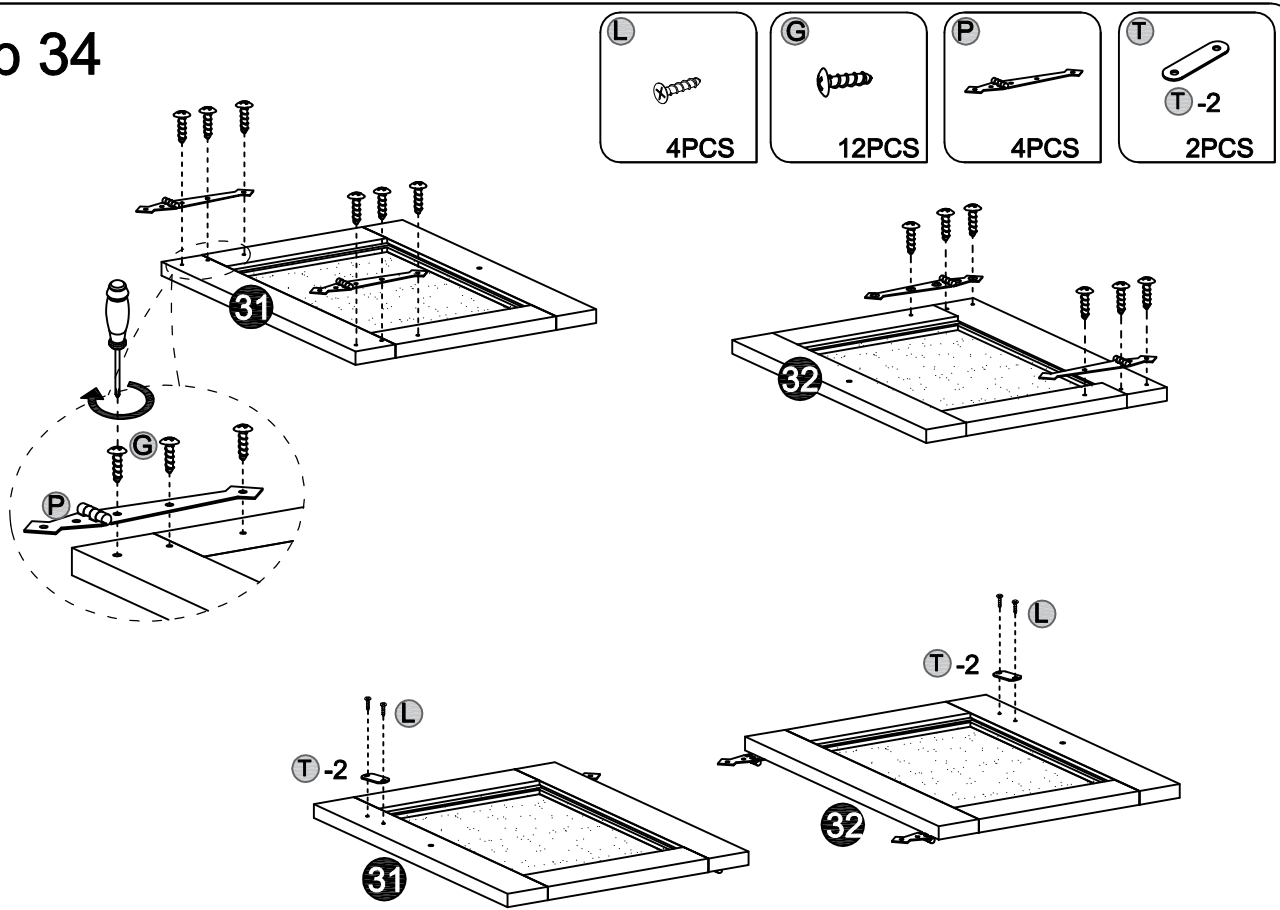
Q
4PCS






Step 33

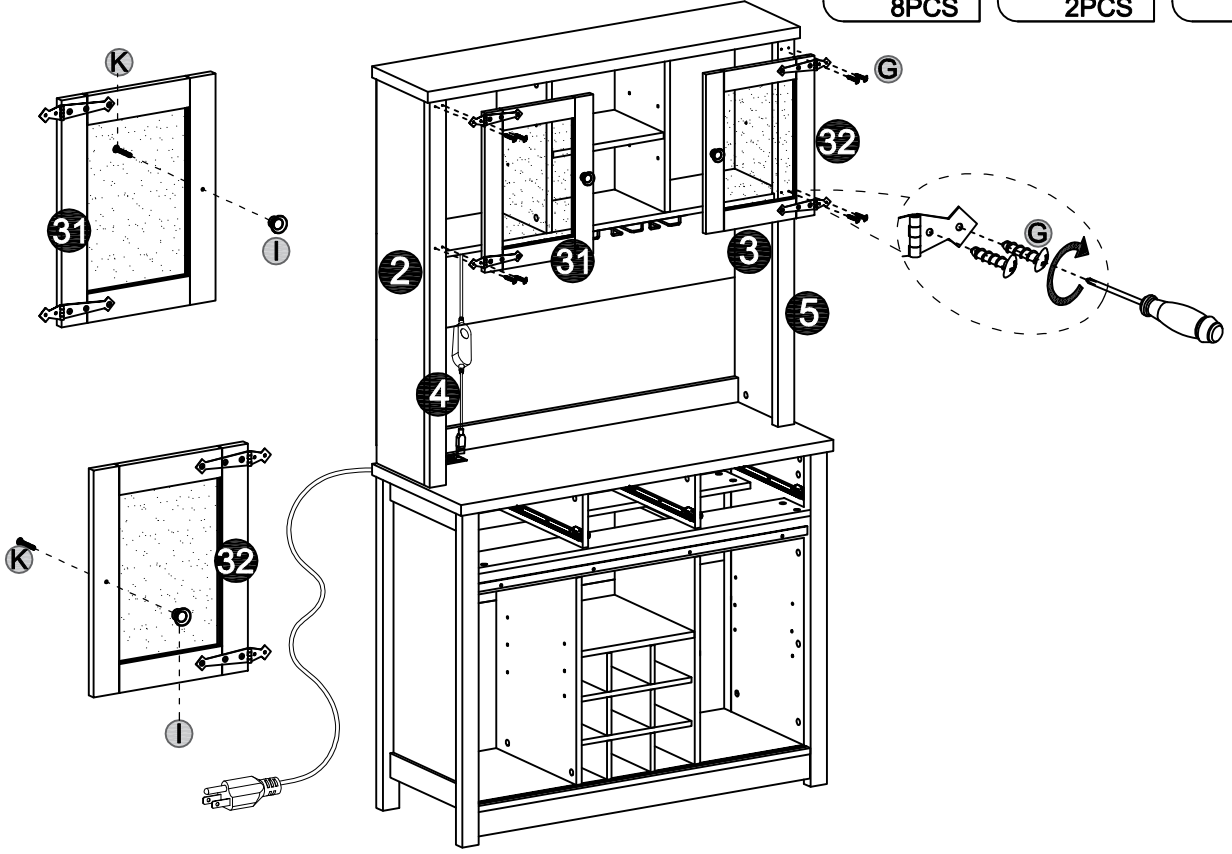


Step 34

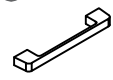
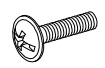
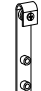


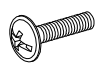


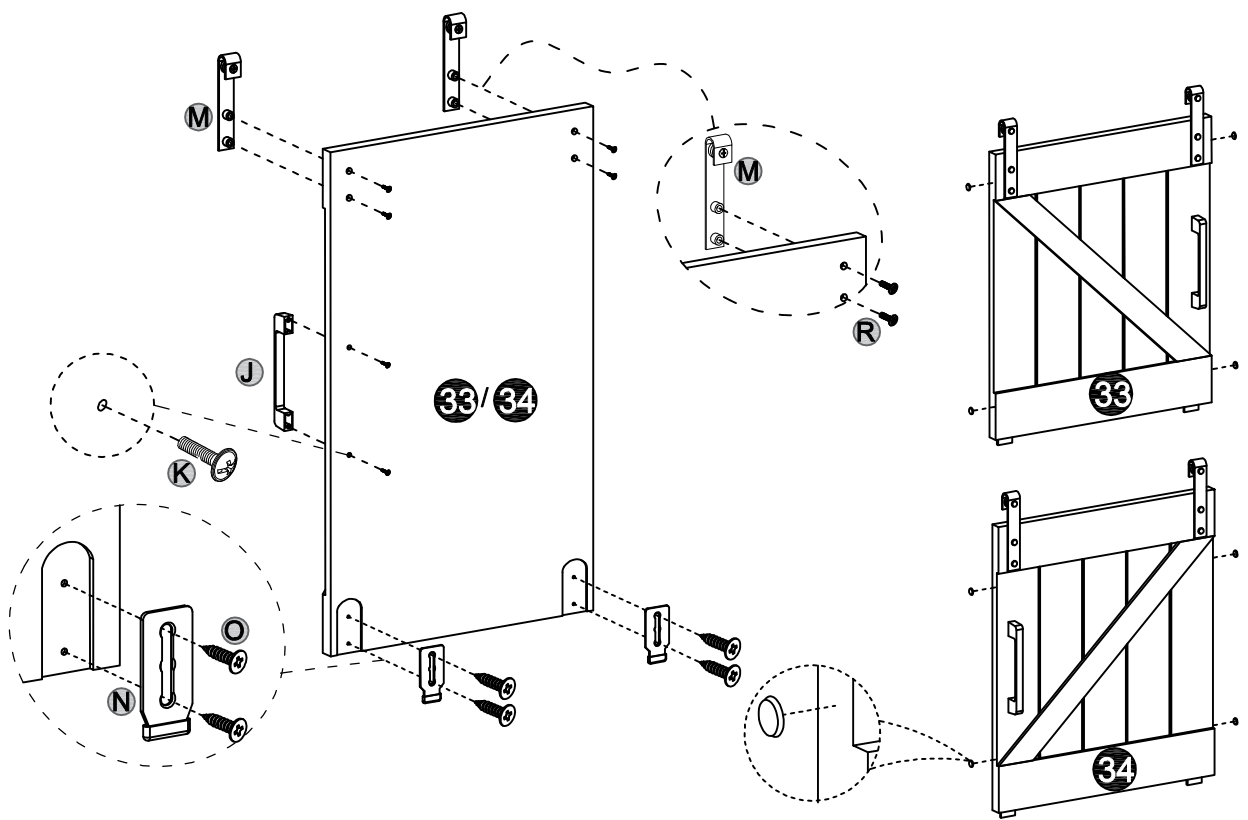
Step 35

- G**  8PCS
- K**  2PCS
- I**  2PCS

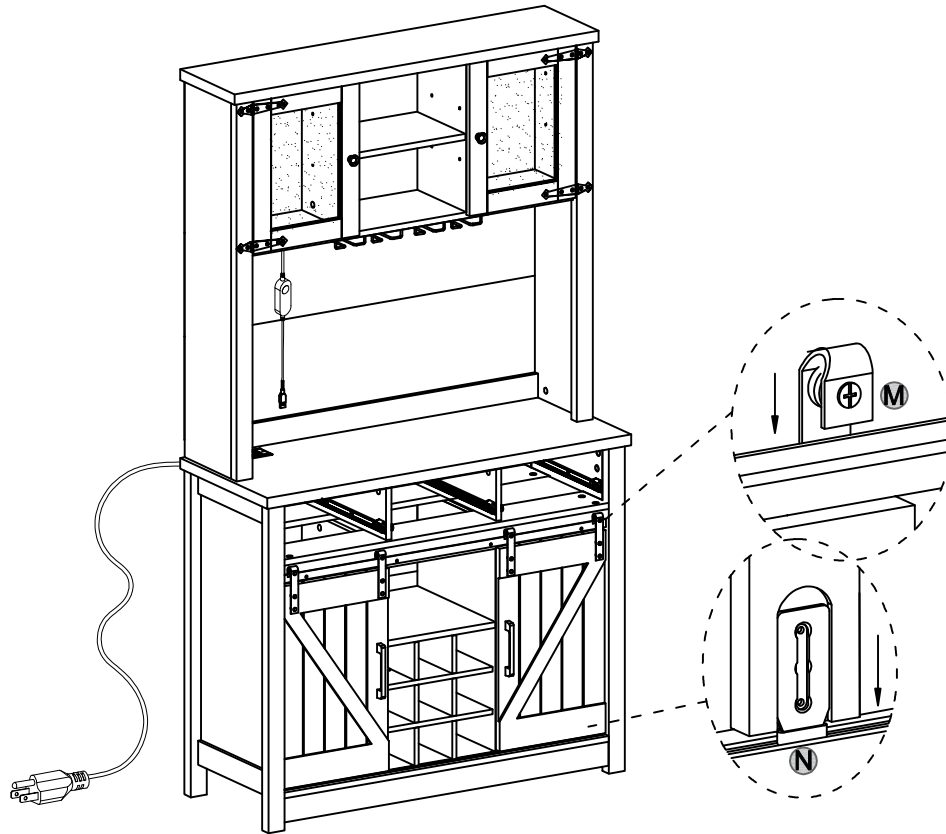


Step 36

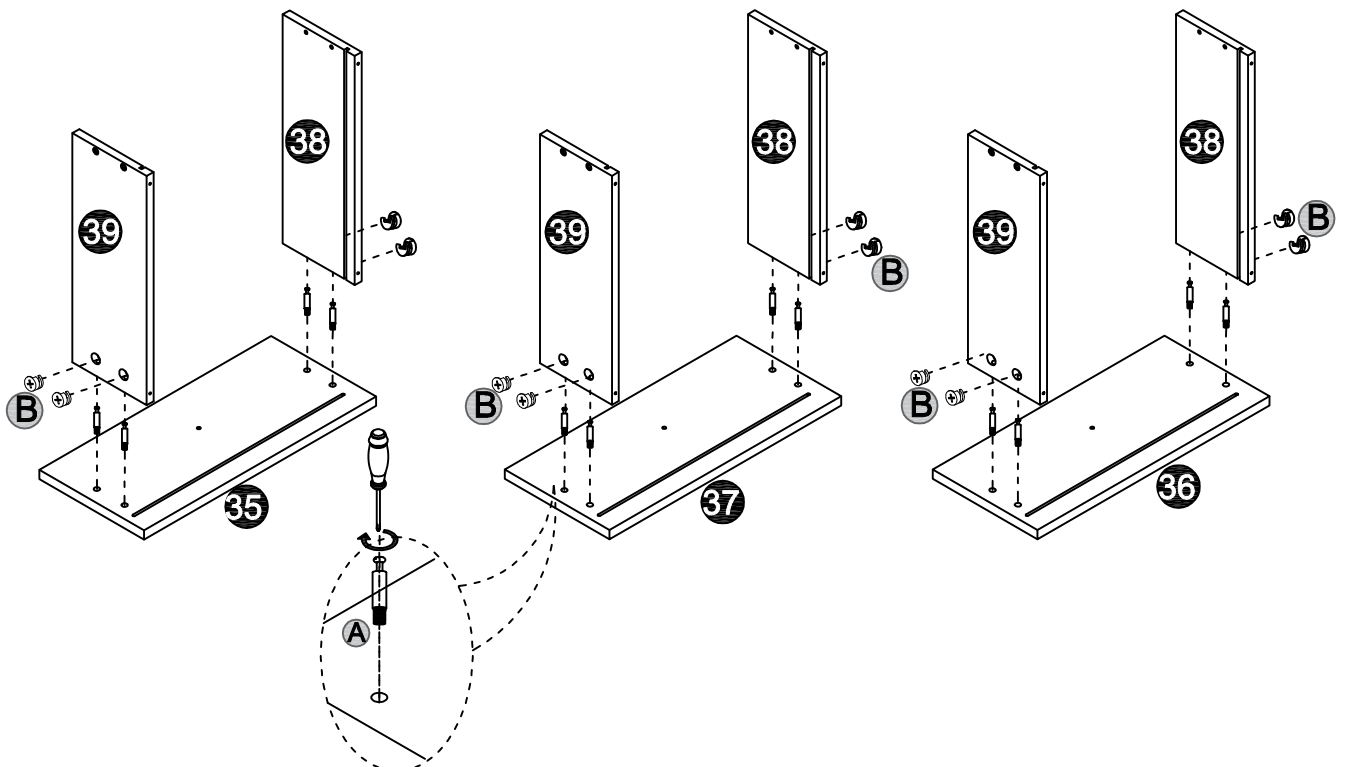
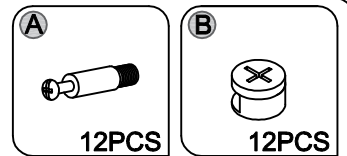
- J**  2PCS
- K**  4PCS
- M**  4PCS
- N**  4PCS
- O**  8PCS
- R**  8PCS



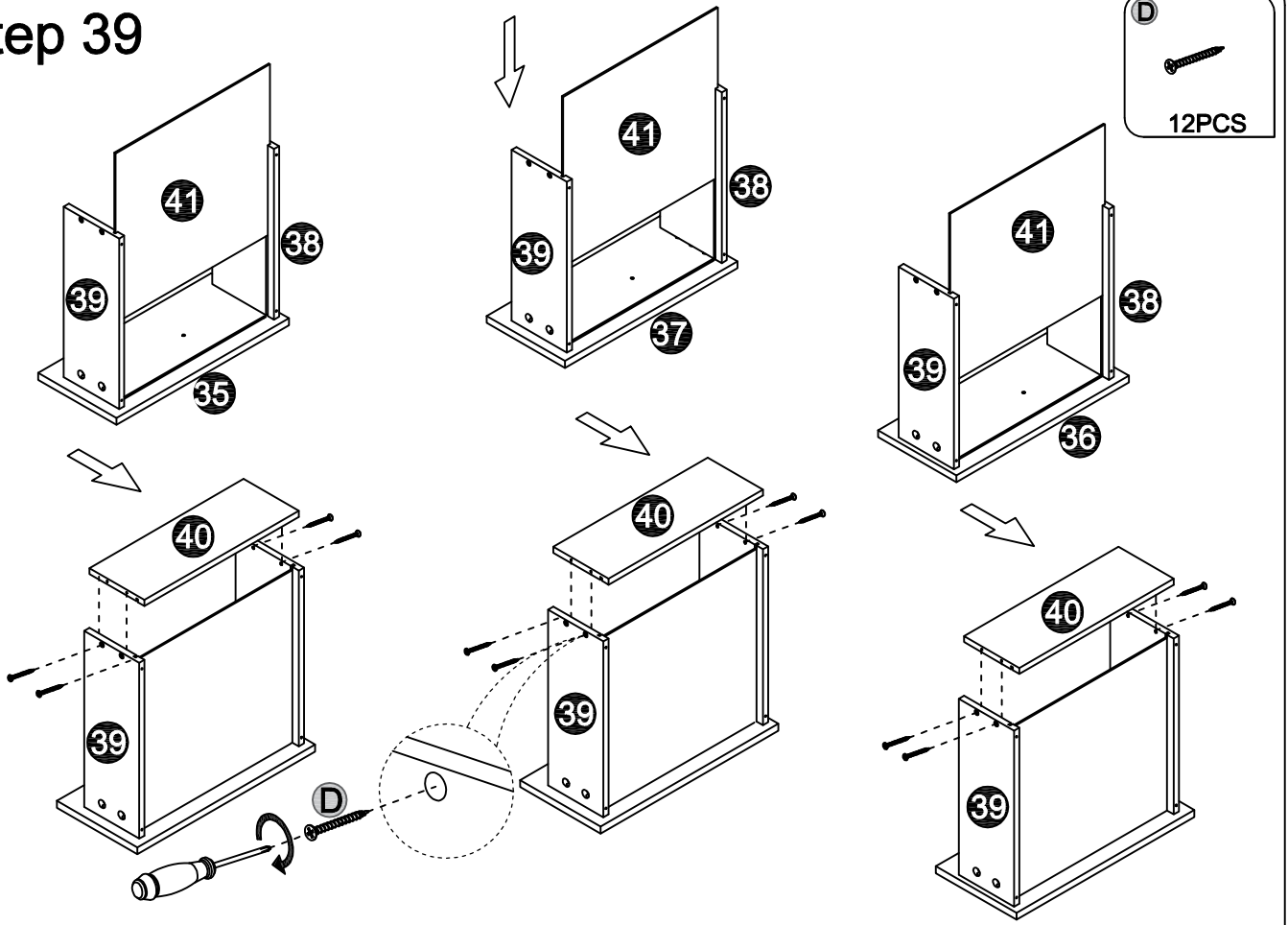
Step 37



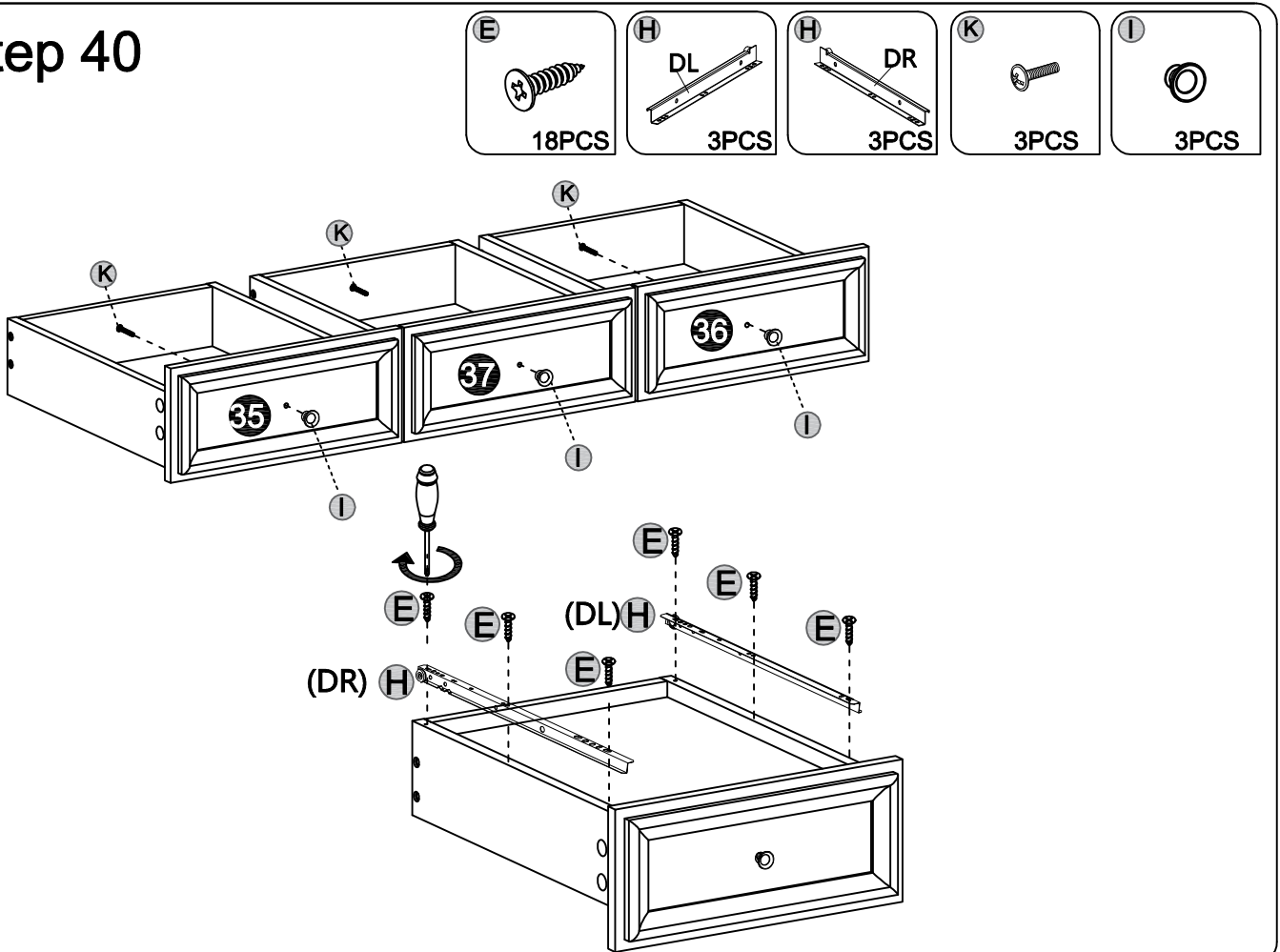
Step 38



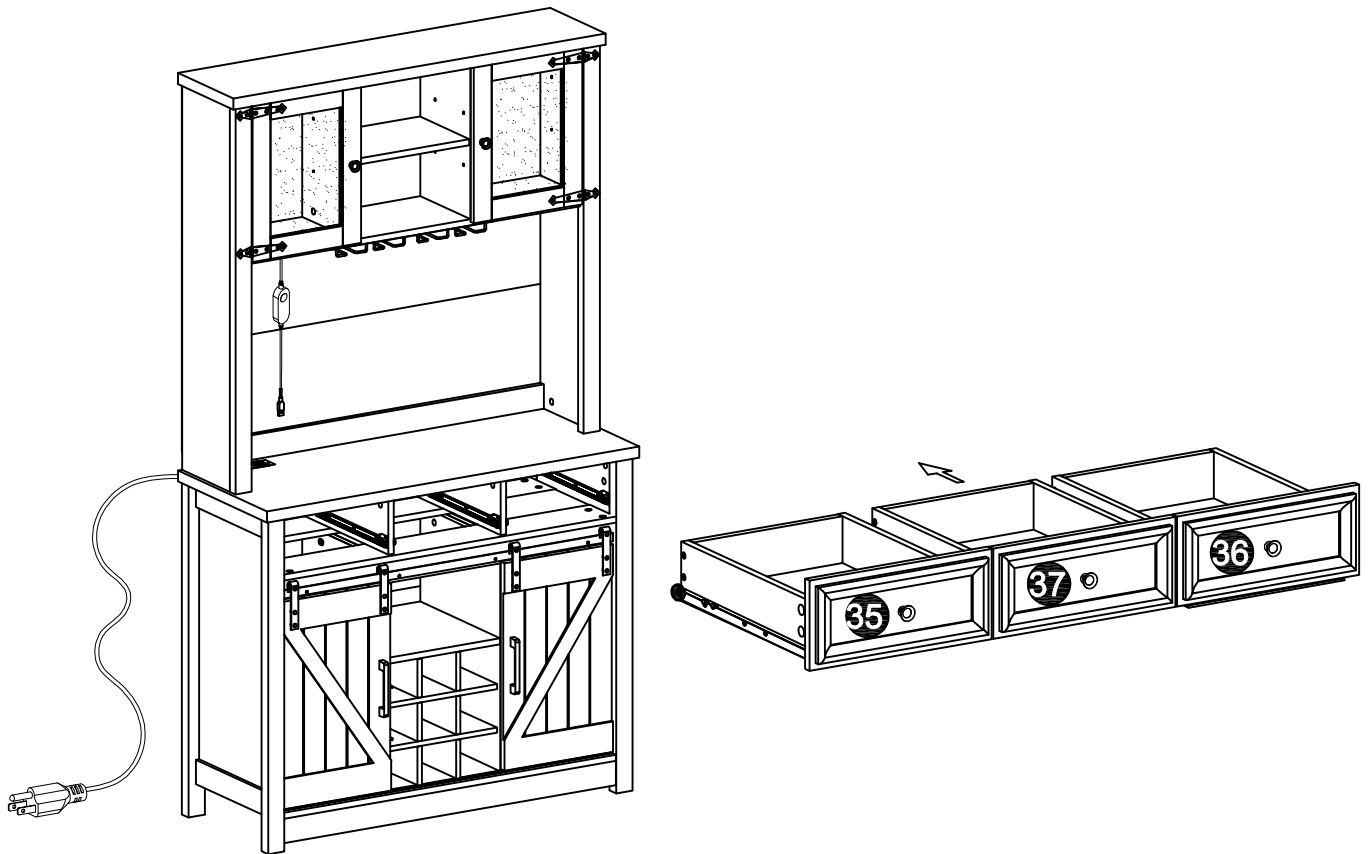
Step 39



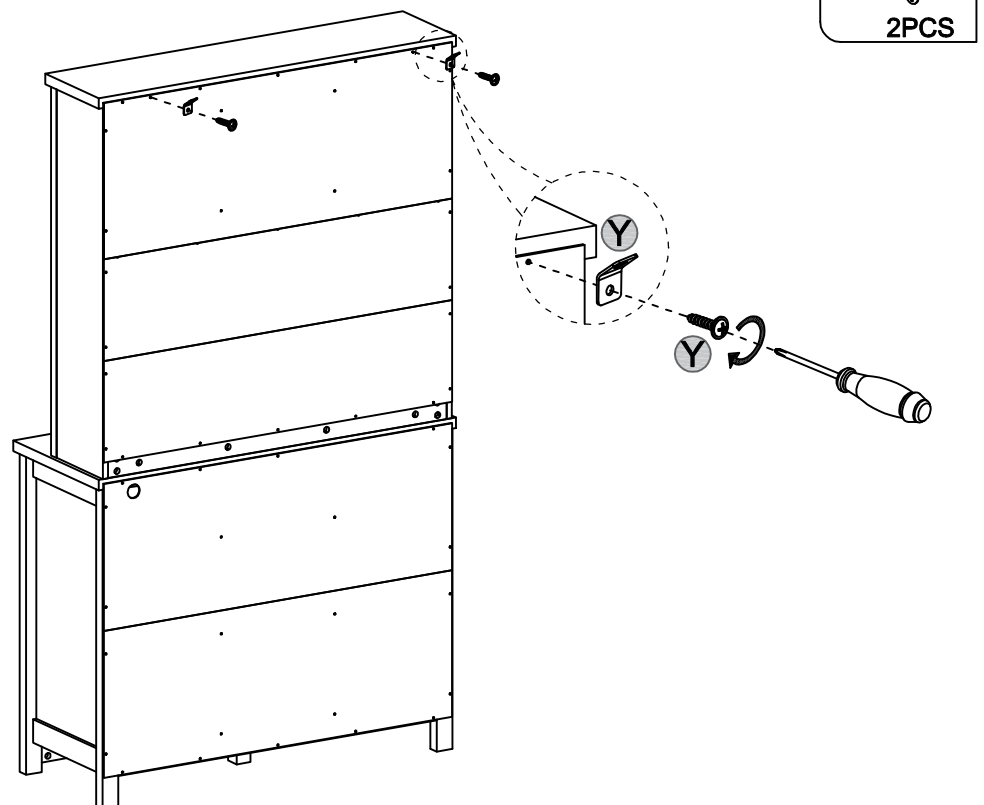
Step 40



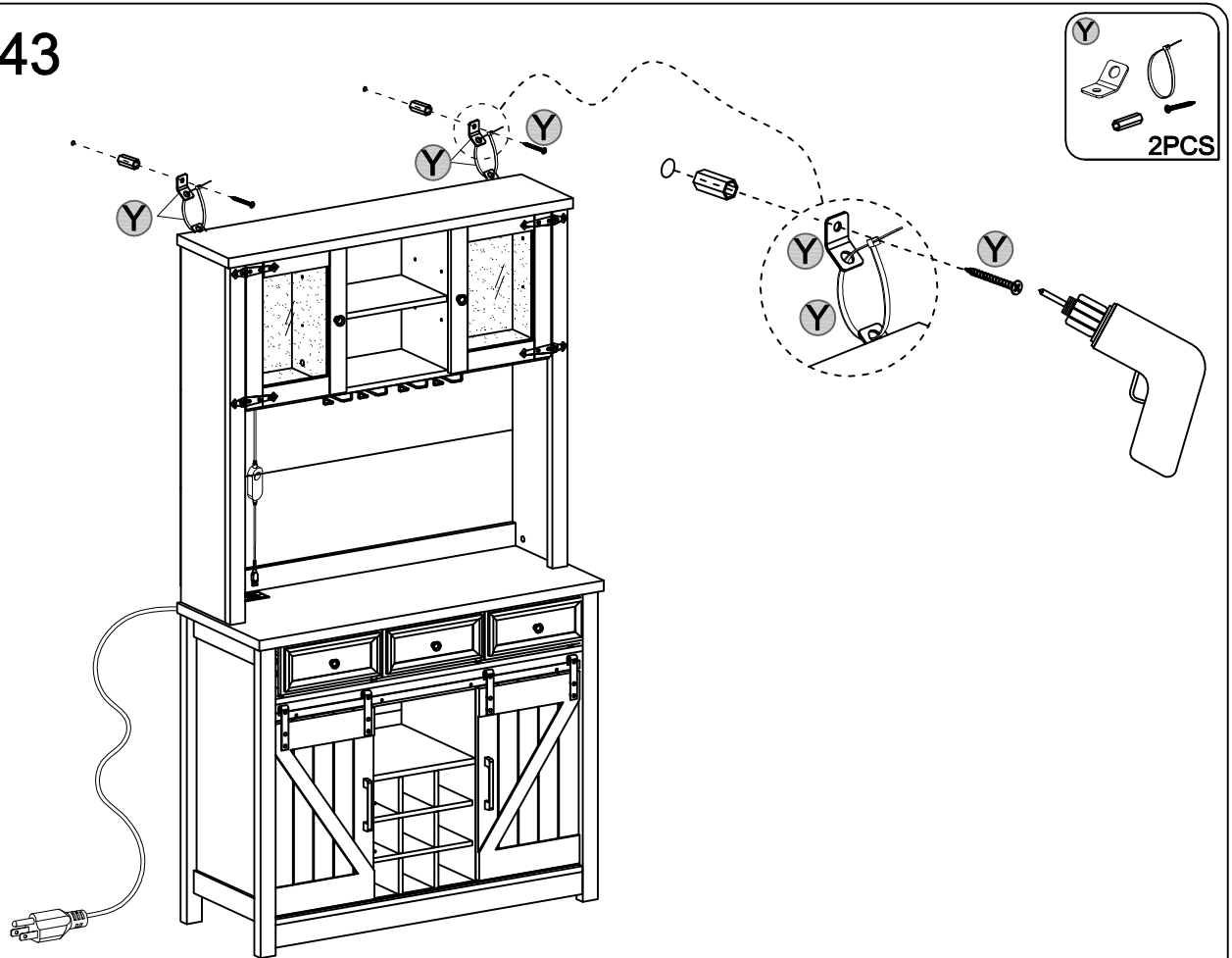
Step 41



Step 42



Step 43



Step 44

IMPORTANT SAFETY INFORMATION

Please carefully read the instructions and caution warnings below before assembling the product. Following this guide will ensure that you install, use and maintain the product properly.

- Please keep this installation and user manual/instructions for future reference in case you need to assemble the product.
- Do not assemble if you notice serious damage such as cracks or bends.
- During installation, please use work gloves for hand safety.
- Please assemble the unit on carpeted floor or the flat cardboard box to avoid scratching the surface or your floor while assembling on the floor.
- To assemble, please use the complimentary installation tools (Allen Wrench). Pay more attention to the direction of components at each steps.
- It is recommended that two people work together to assemble the product.
- Please do not tighten the screws up too much, just to 80% before you finish to make the installation go on successfully.

RETURN POLICY

We believe you will absolutely love your new product. But for some reason you want to return your item, please contact us within 30 days after receiving and ensure that the product which you want to return is in a good condition in the original box with all original certificates of purchase, manuals and accessories attached.

HOW TO MAINTAIN YOUR PRODUCT:

- Check the screws of the product are not loose from regular use.
- Do not use sharp instruments, rubbing alcohol, corrosive chemicals, or abrasive cleaners to clean the product.
- Do not keep the product in a damp environment for a long period of time. The damp environment may cause the iron components to rust and the plates to bulge and crack.