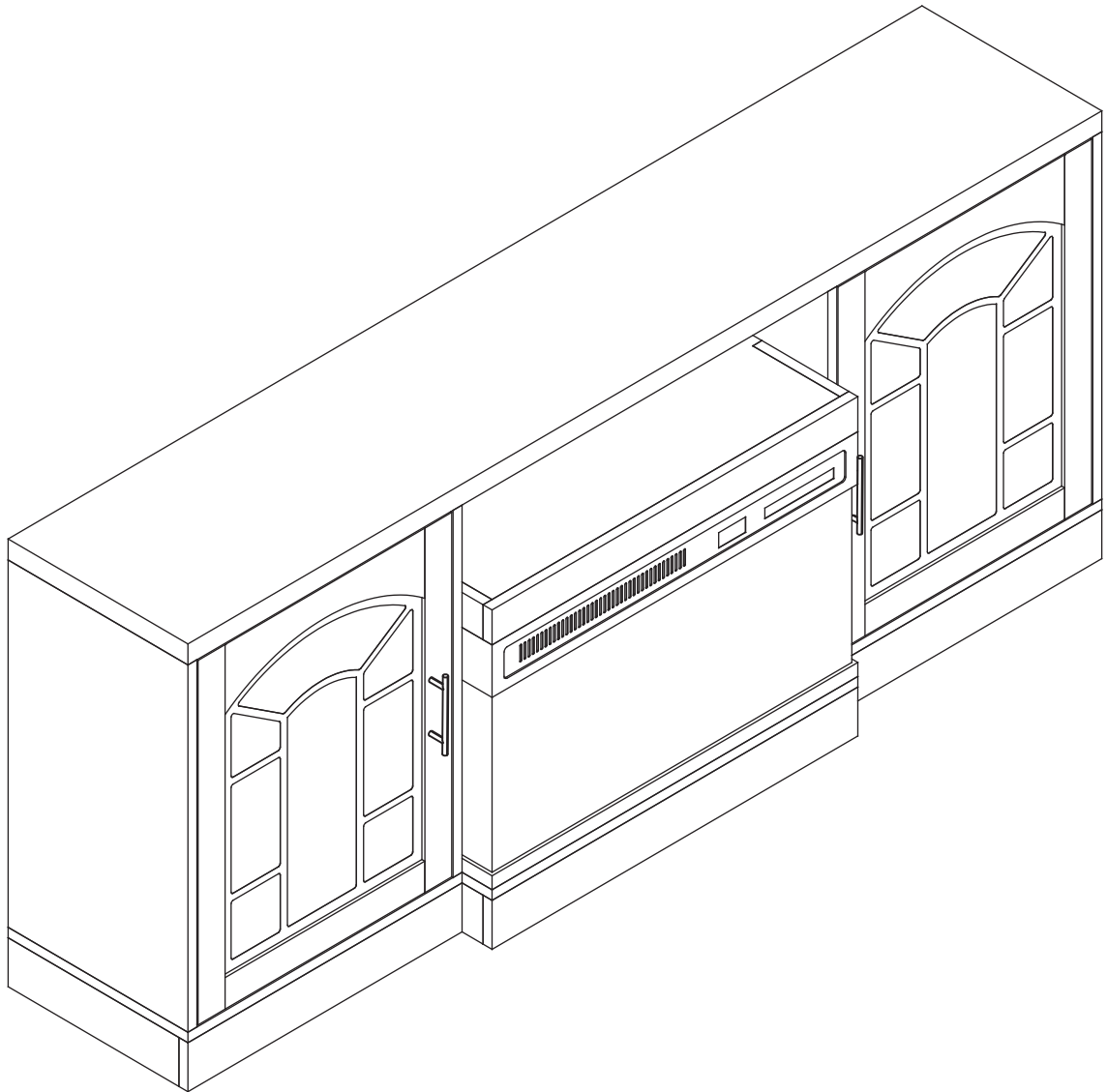


ASSEMBLY INSTRUCTIONS

SKU: SF-60TVS-24GZ




Attention: The Fireplace and TV stand come in **TWO PACKAGES**
Please don't be confused if only one package was received.

The light strip comes with fireplace. It should be installed
after **TWO PACKAGES** received.

It is recommended that **TWO PEOPLE** work together during
the installation process.

 hellovitesse@gmail.com

 +1(503) 928-7812

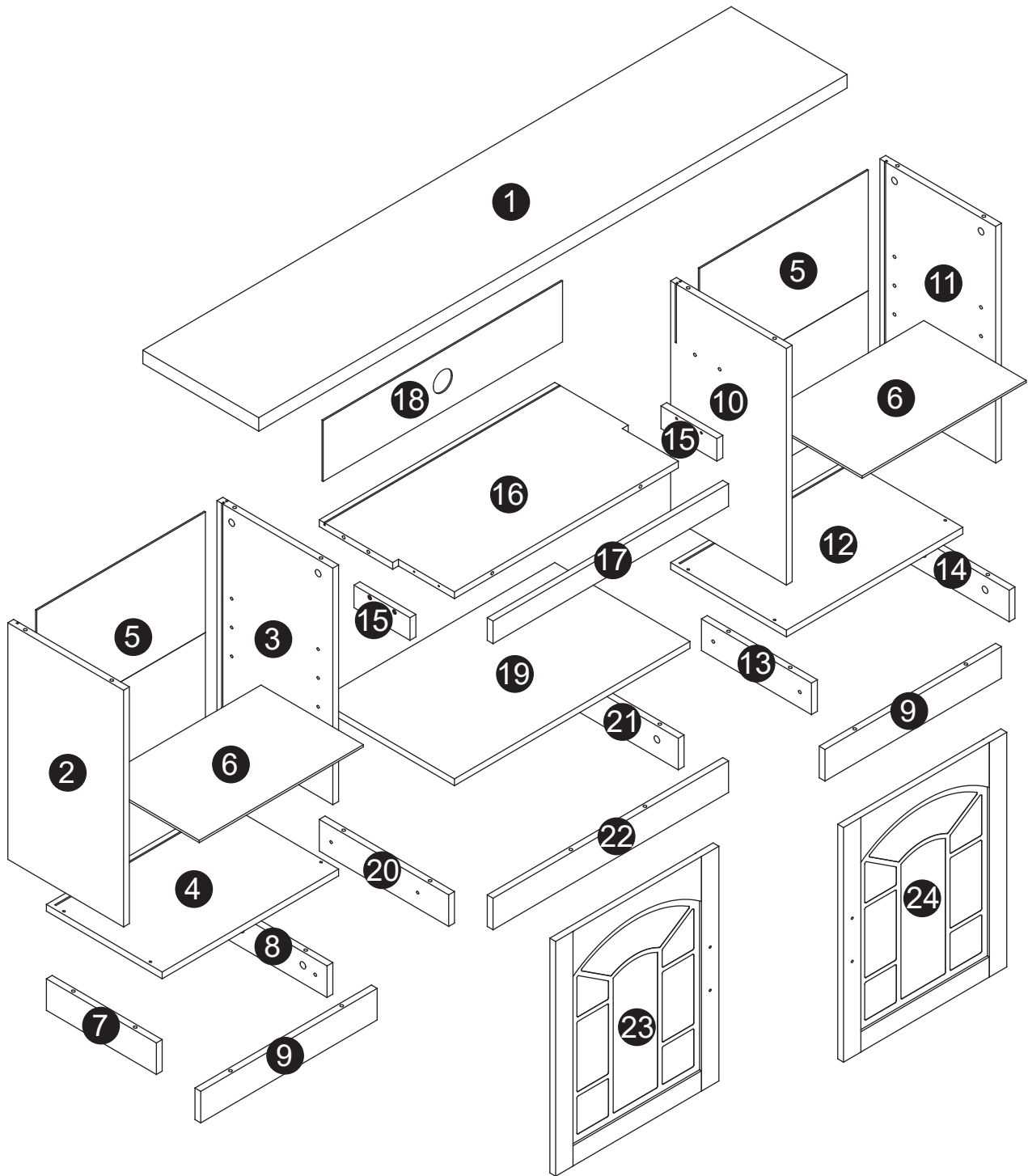
HOPE YOU HAVE A PERFECT SHOPPING EXPERIENCE!

Our product is designed with excellence crafted from premium materials, and exhibits a unique sense of style. Every detail has been thoughtfully considered to bring both elegance and functionality to your space.

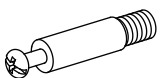
Whether in the office or at home, our product offers long-lasting performance and versatile use. We believe it will enhance your environment and make your daily tasks easier.

If you encounter any issues or have questions, please don't hesitate to contact our dedicated customer service team. We are always here to assist and ensure your satisfaction.

Parts list



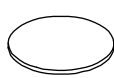
Ax32



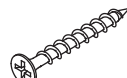
Bx32



Cx32



Dx12



Ex8

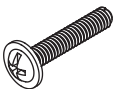


Fx44

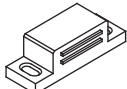


M3.5x14

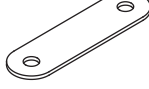
Gx4



Hx2



Ix2



Jx4



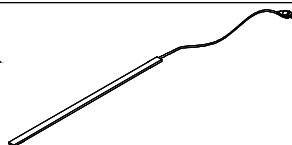
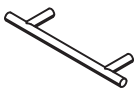
Kx12



Lx4



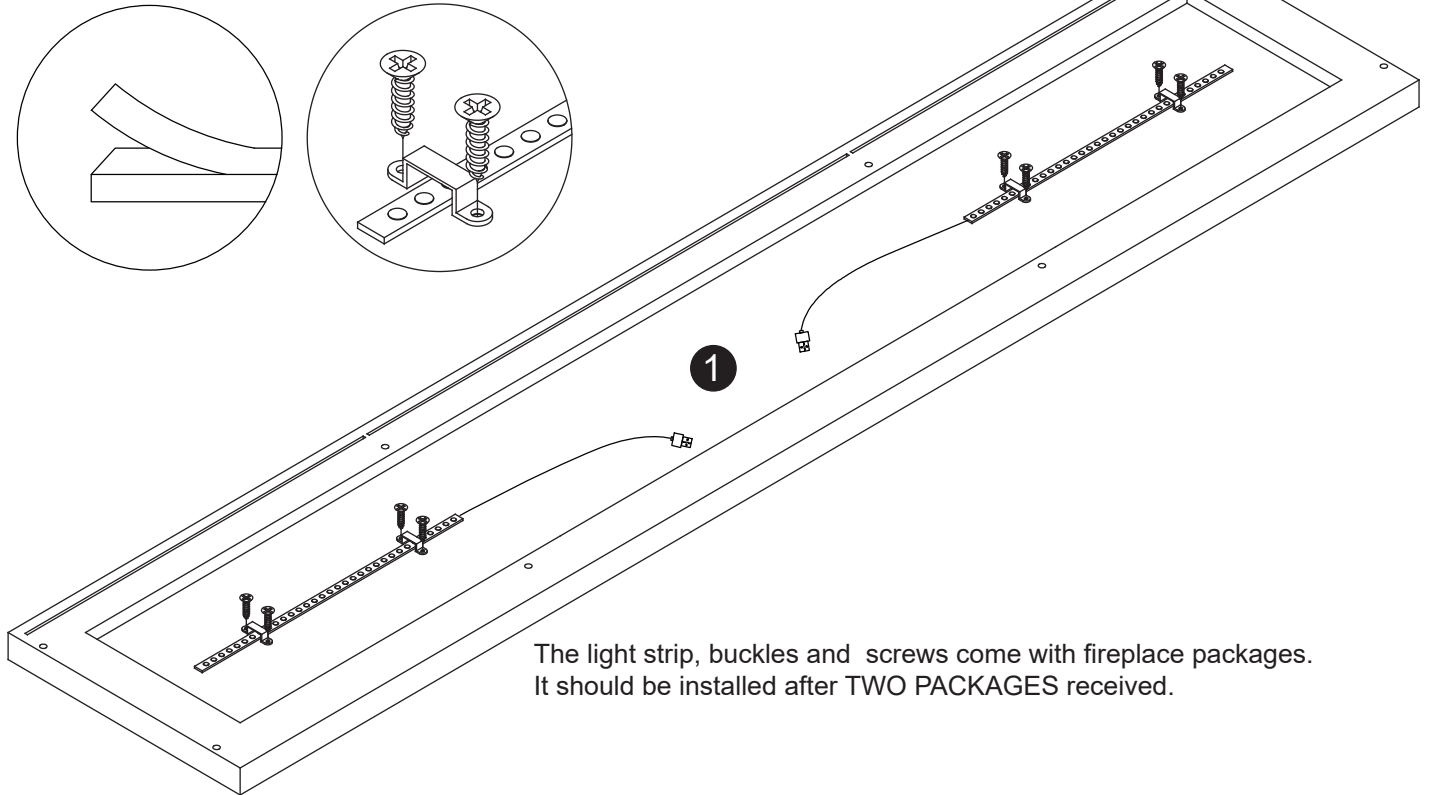
Mx2



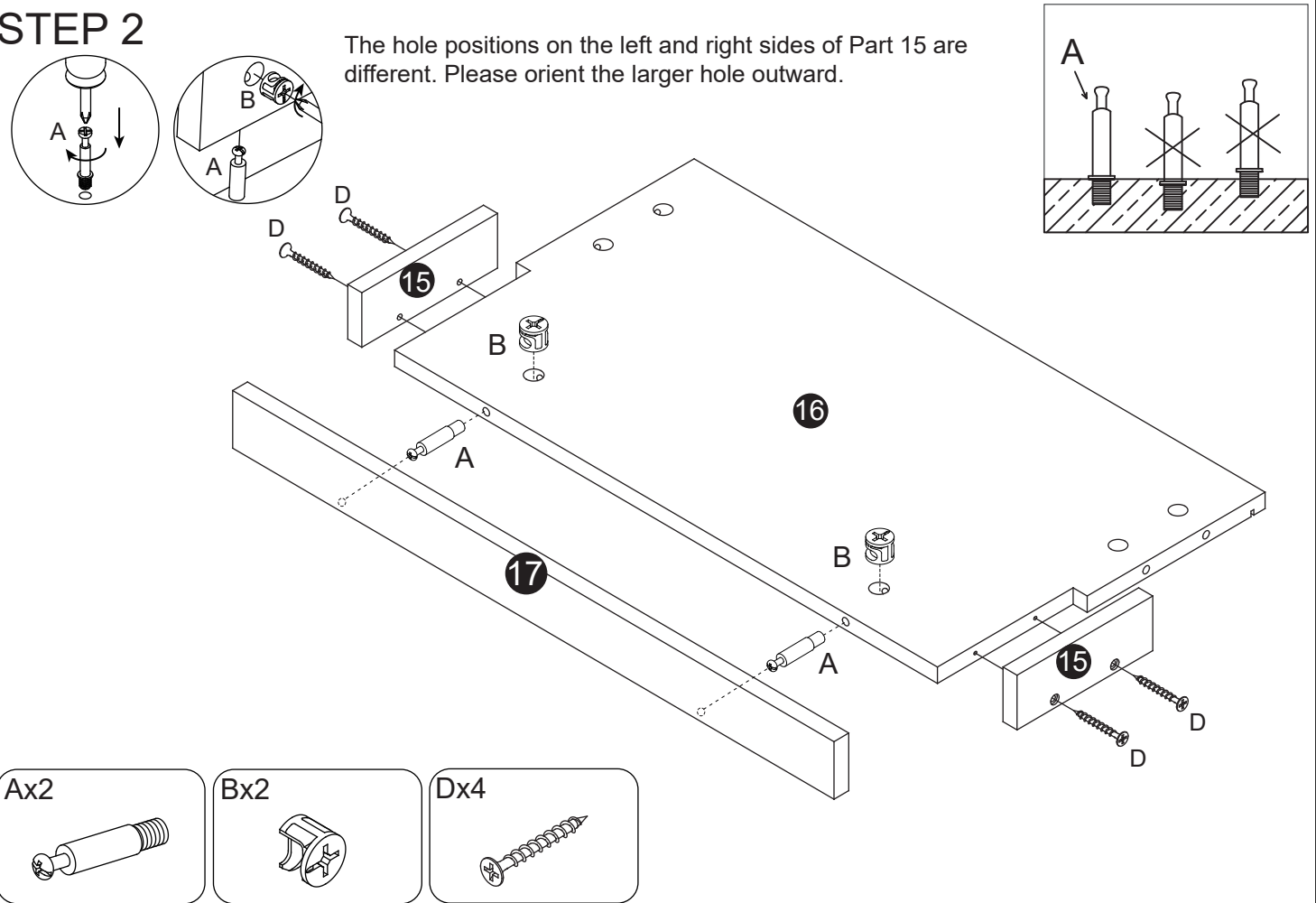
Ship with another package

Installation steps

STEP 1

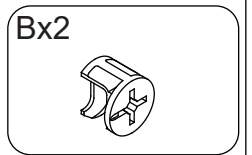
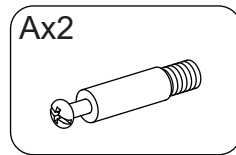
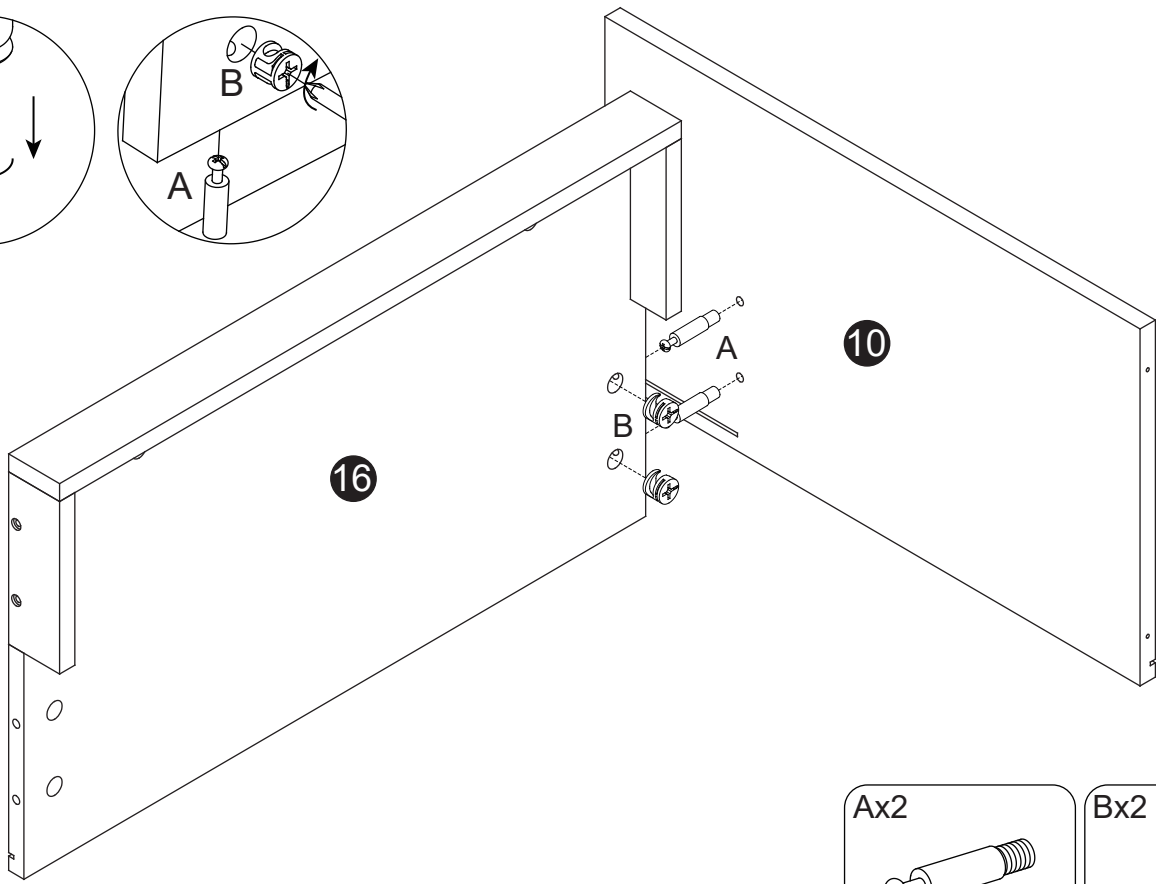
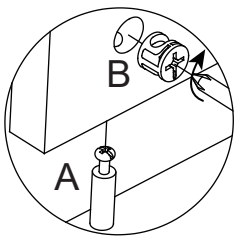
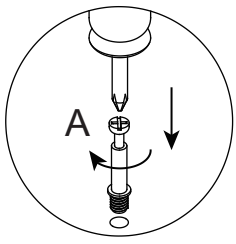


STEP 2

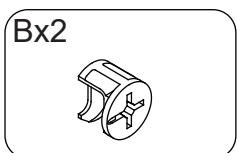
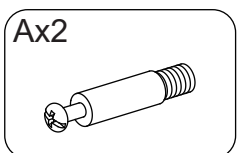
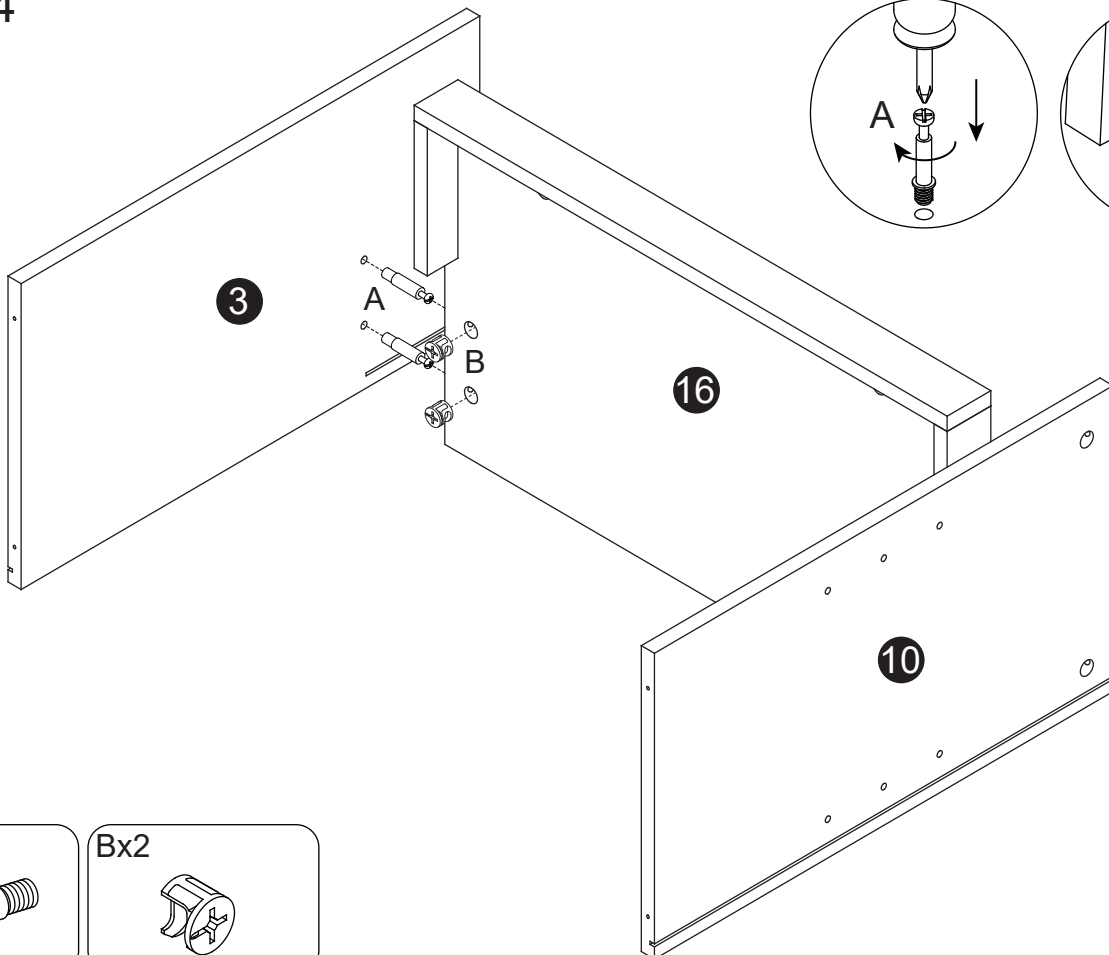
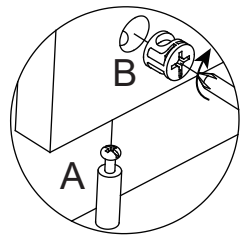
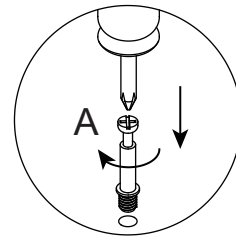


Installation steps

STEP 3

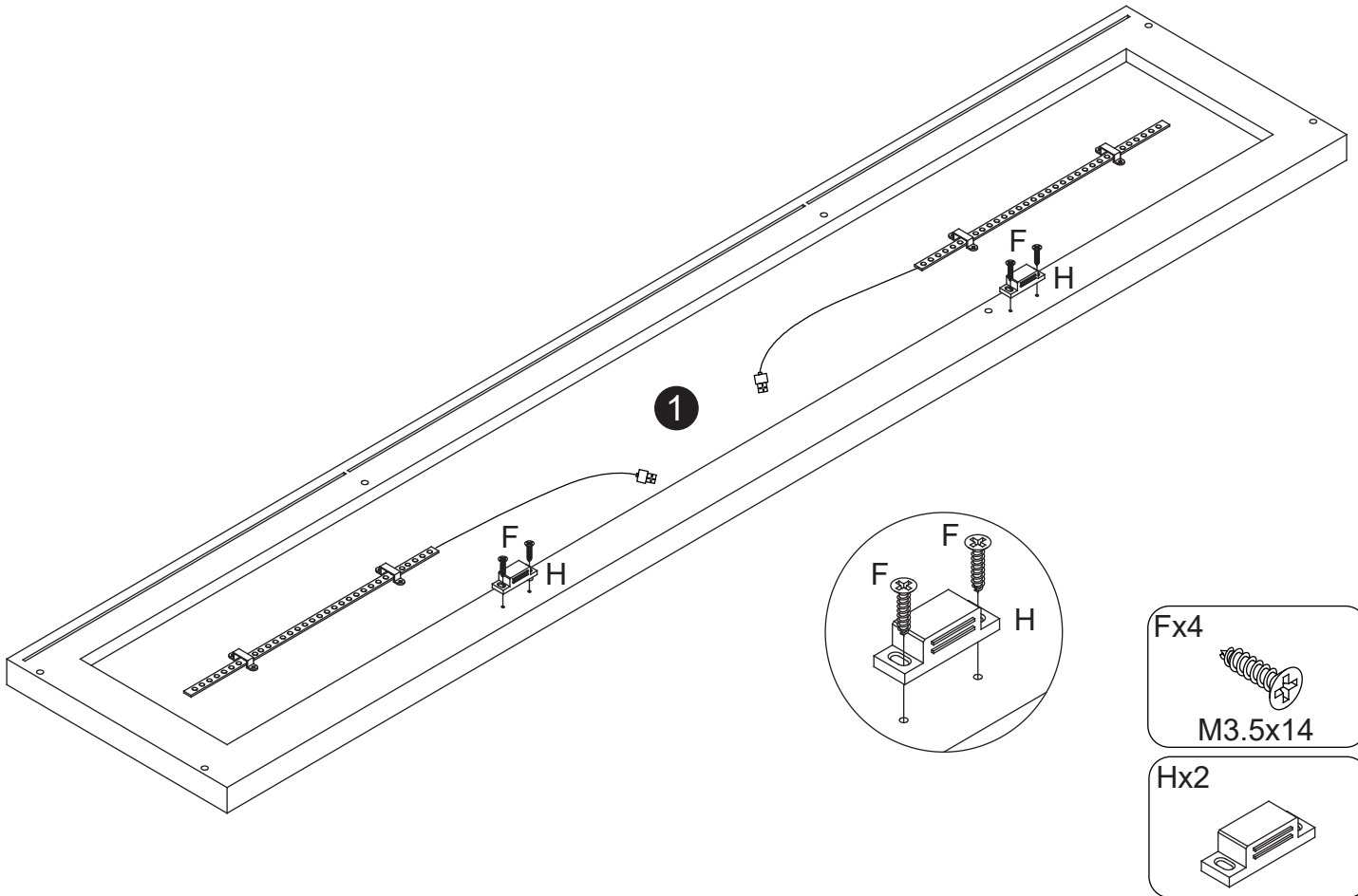


STEP 4

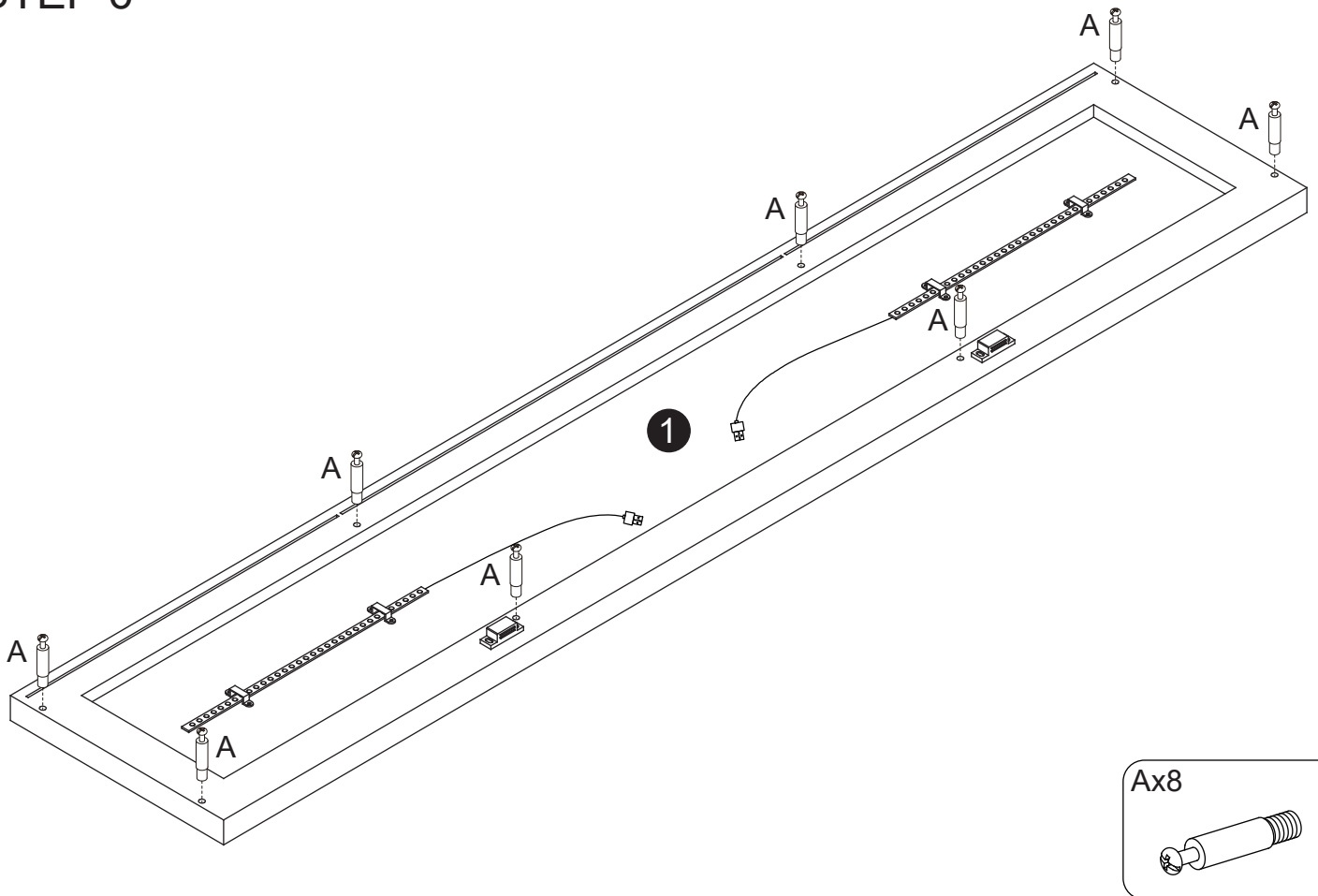


Installation steps

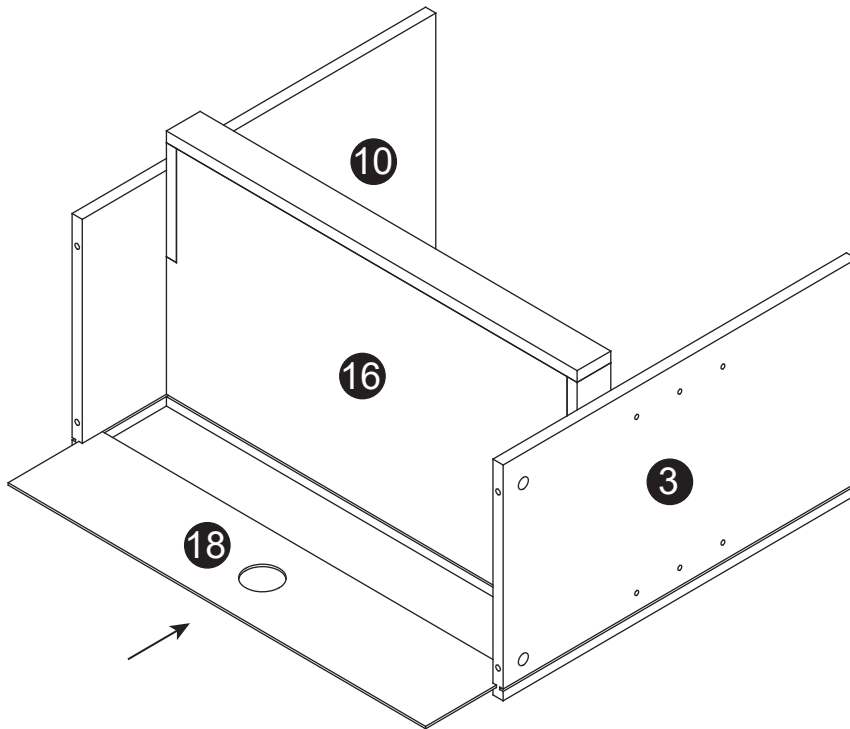
STEP 5



STEP 6



STEP 7



STEP 8

TWO PEOPLE work together in this step.

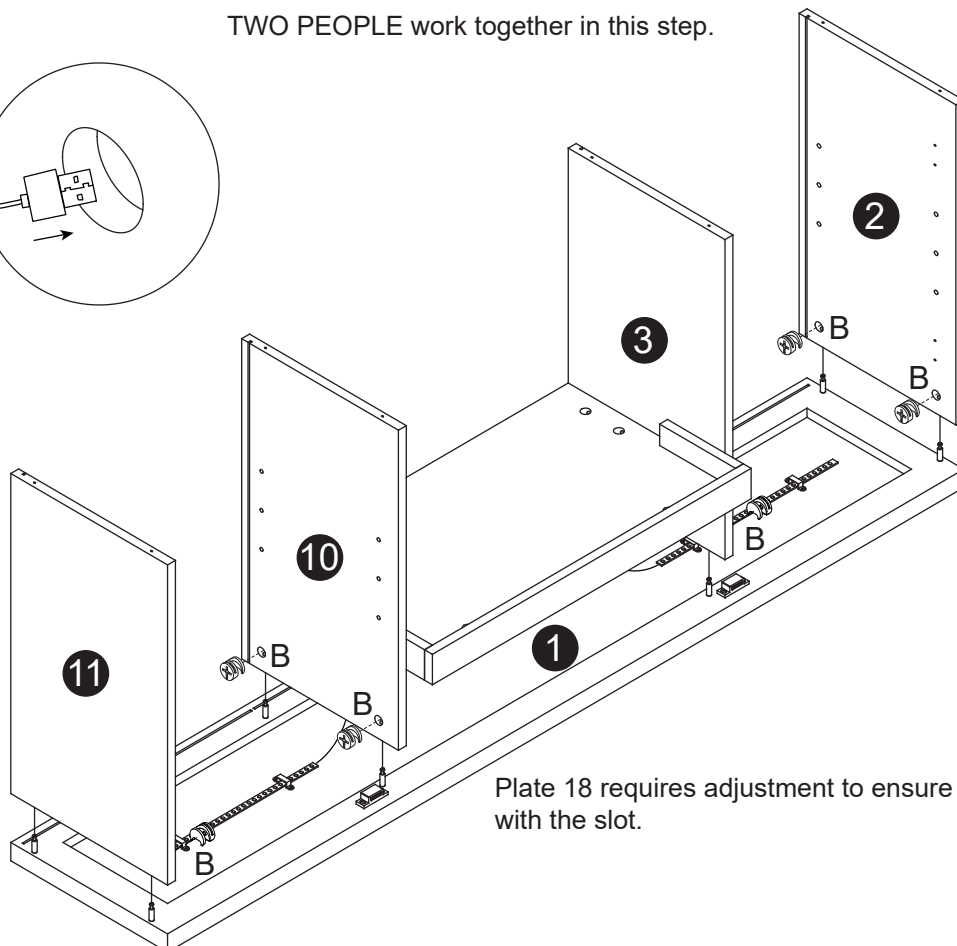
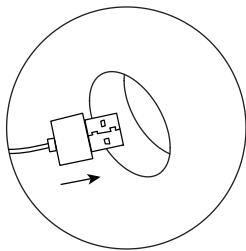


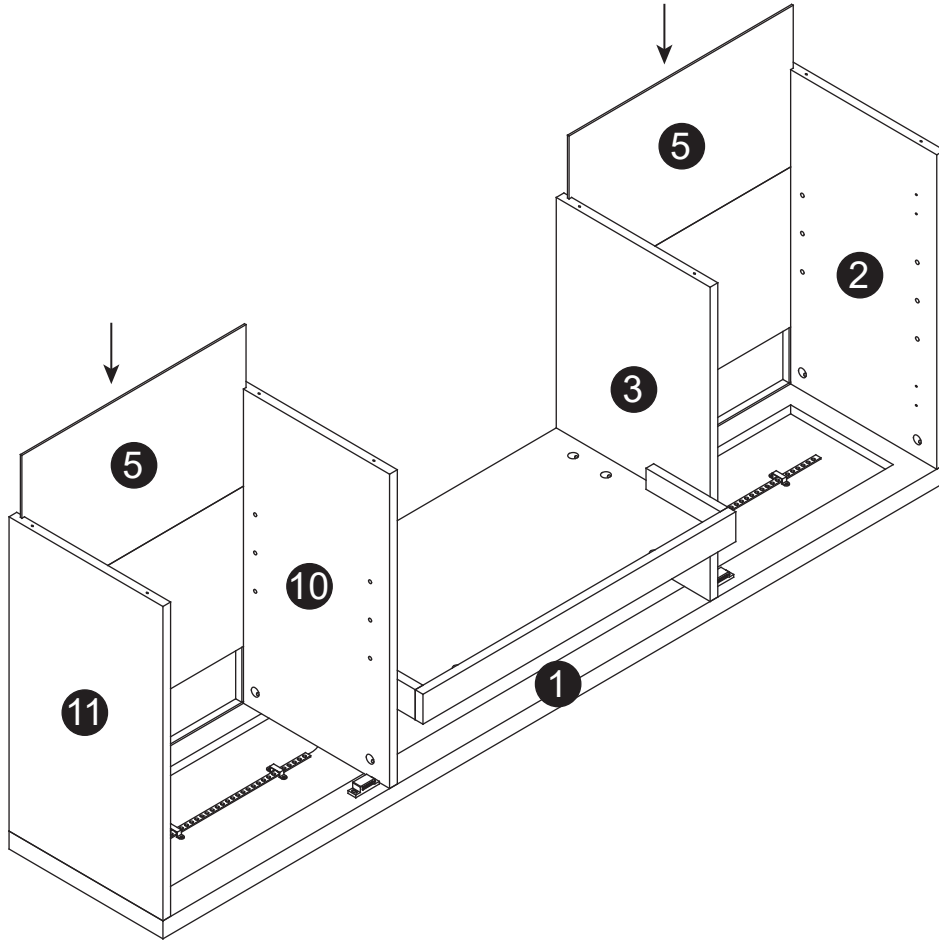
Plate 18 requires adjustment to ensure complete engagement with the slot.

Bx8

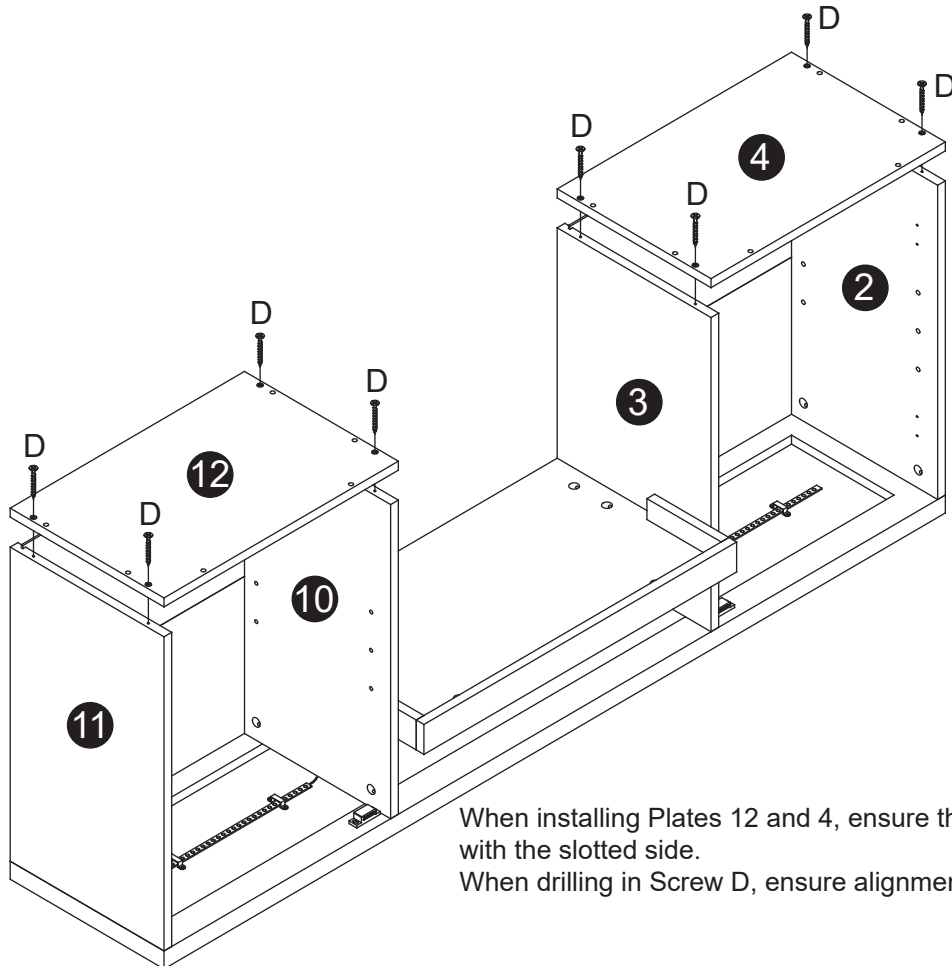
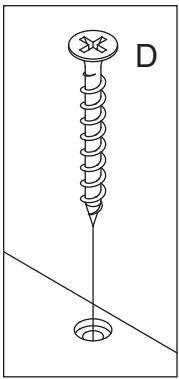


Installation steps

STEP 9

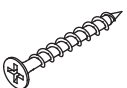


STEP 10



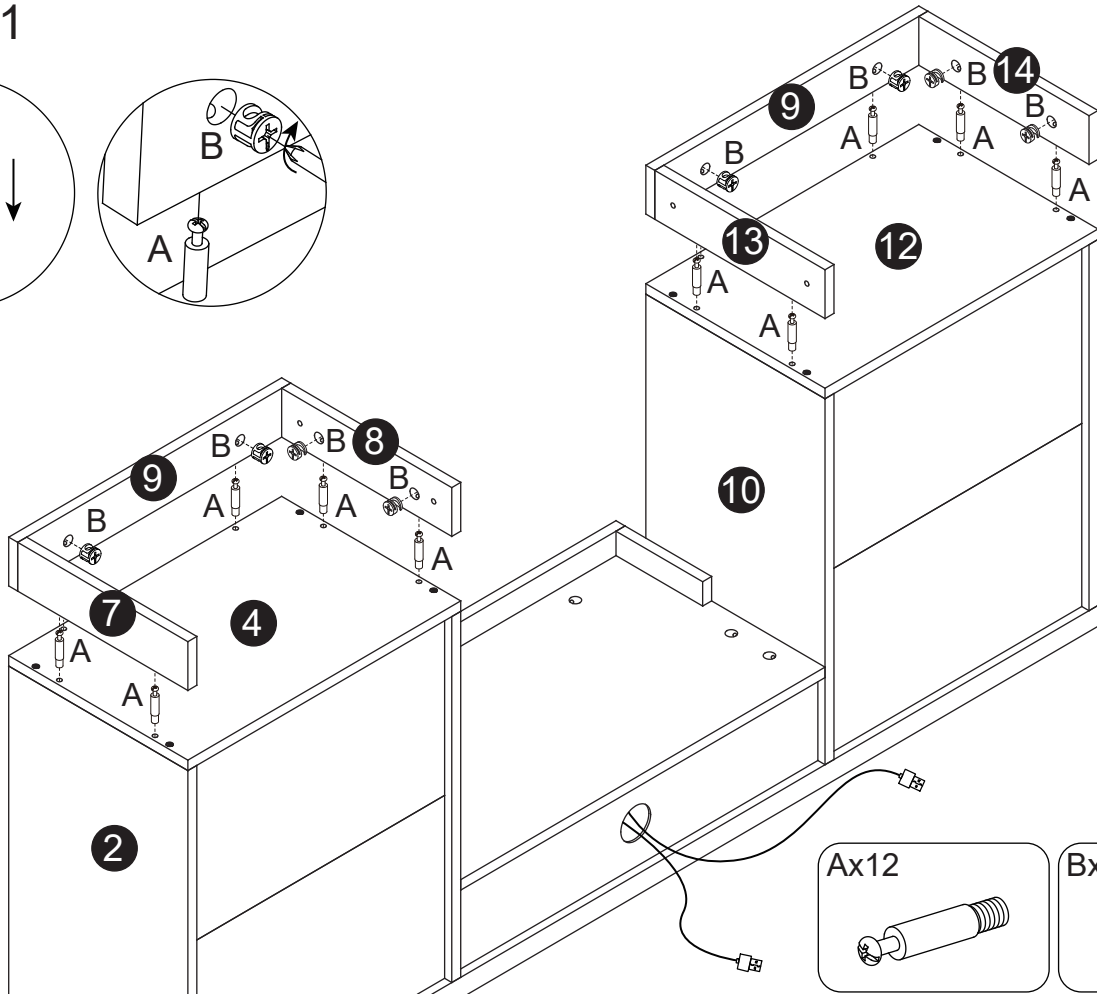
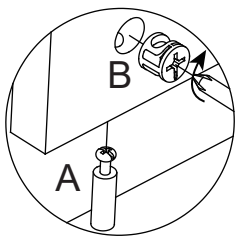
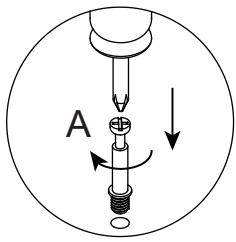
When installing Plates 12 and 4, ensure that Plate 5 is engaged with the slotted side.
When drilling in Screw D, ensure alignment with the hole below.

Dx8

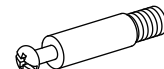


Installation steps

STEP 11



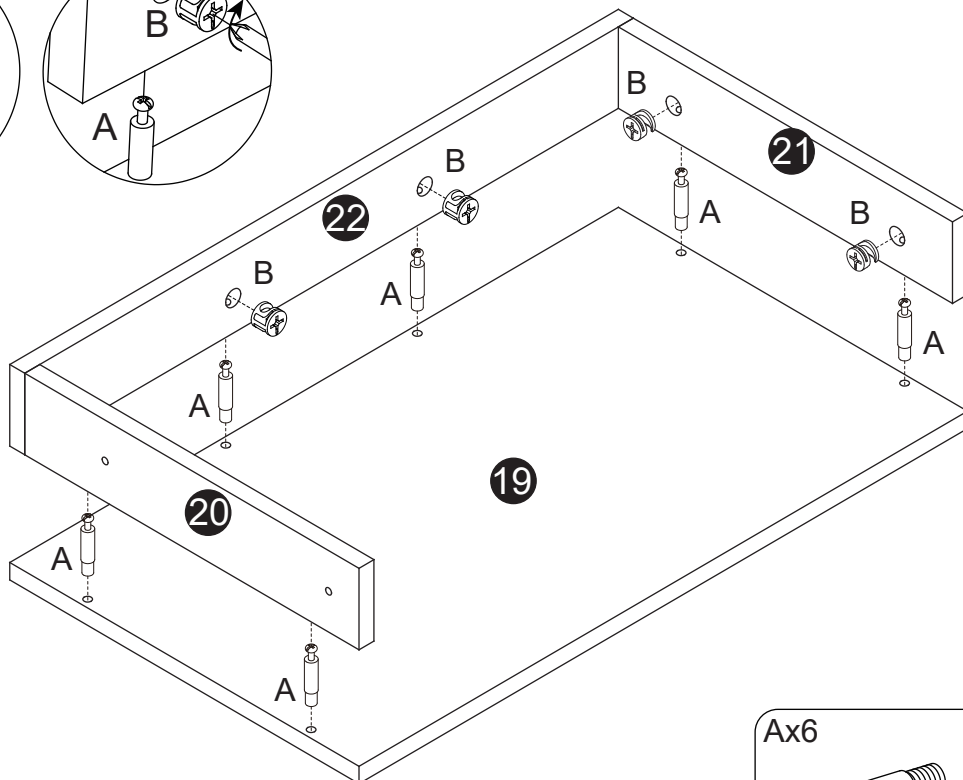
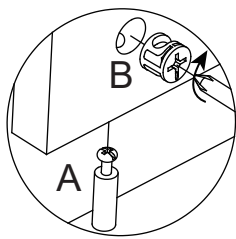
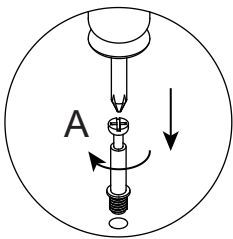
Ax12



Bx12



STEP 12



Ax6

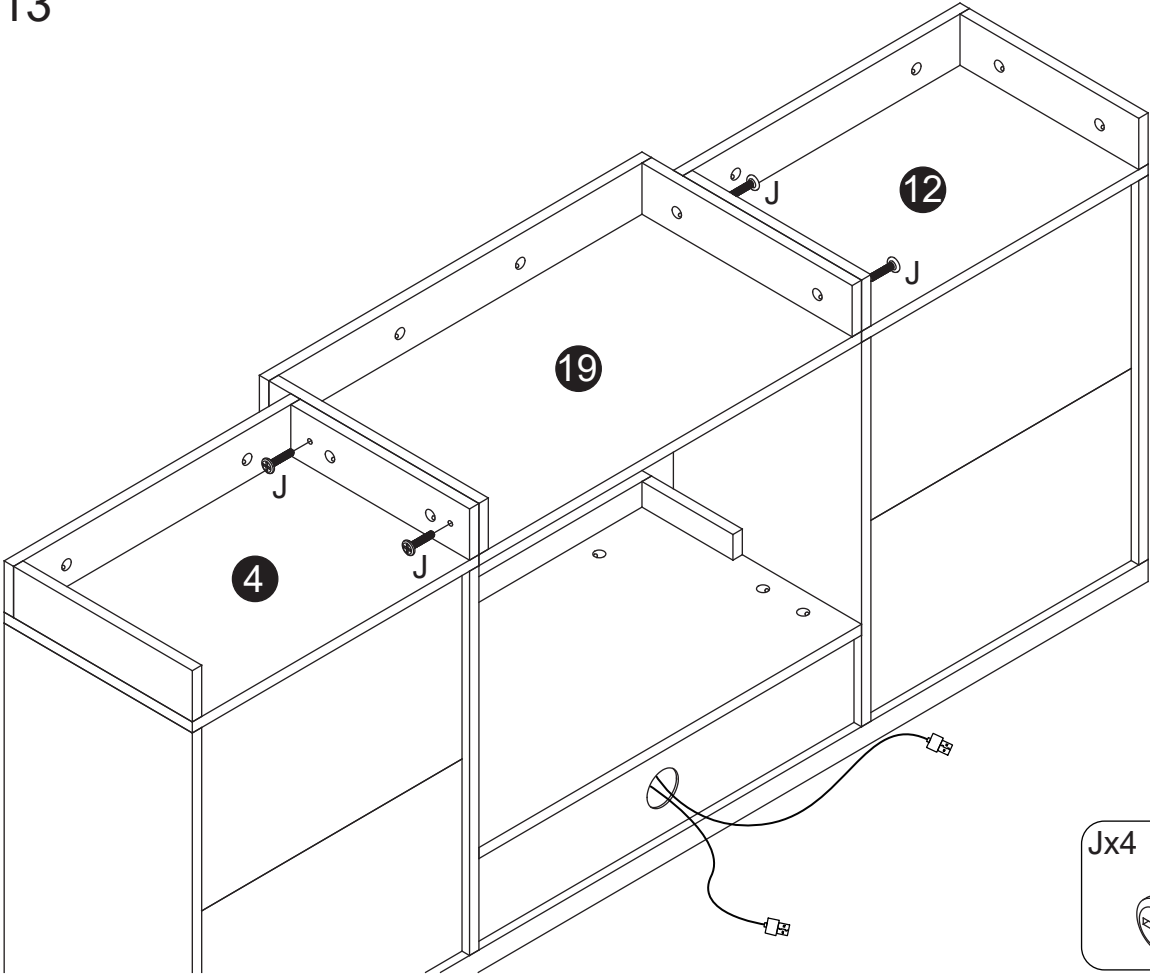


Bx6

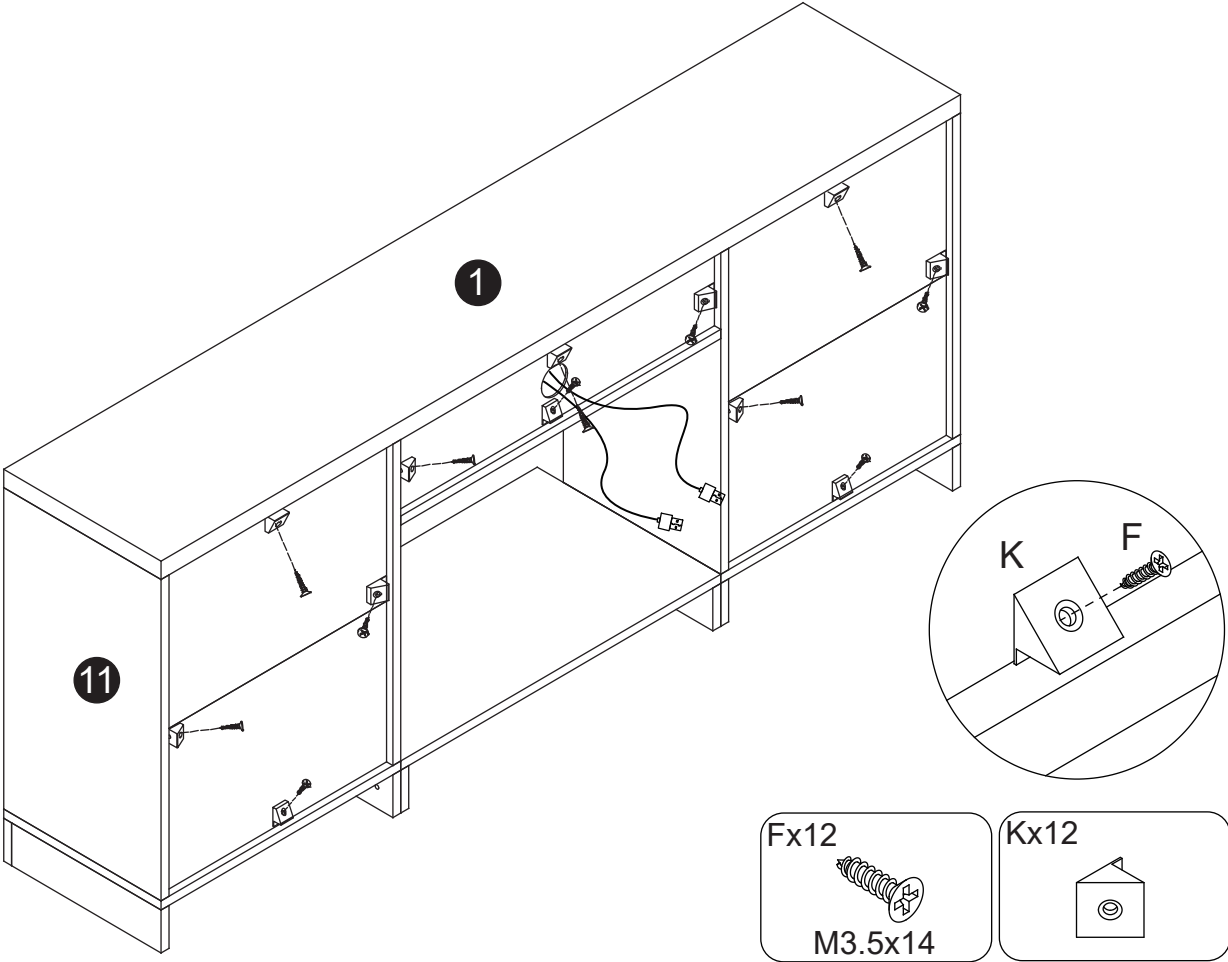


Installation steps

STEP 13



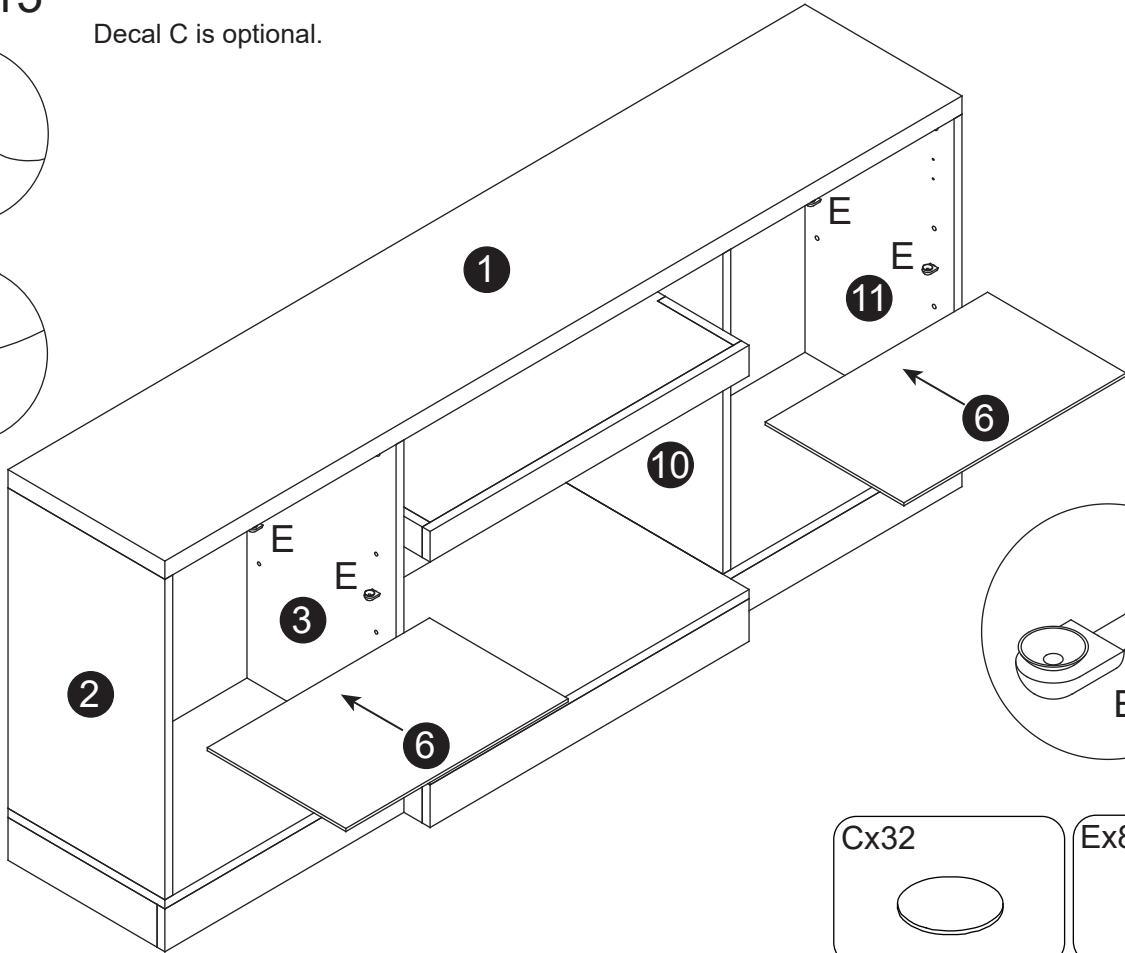
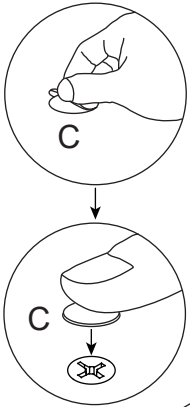
STEP 14



Installation steps

STEP 15

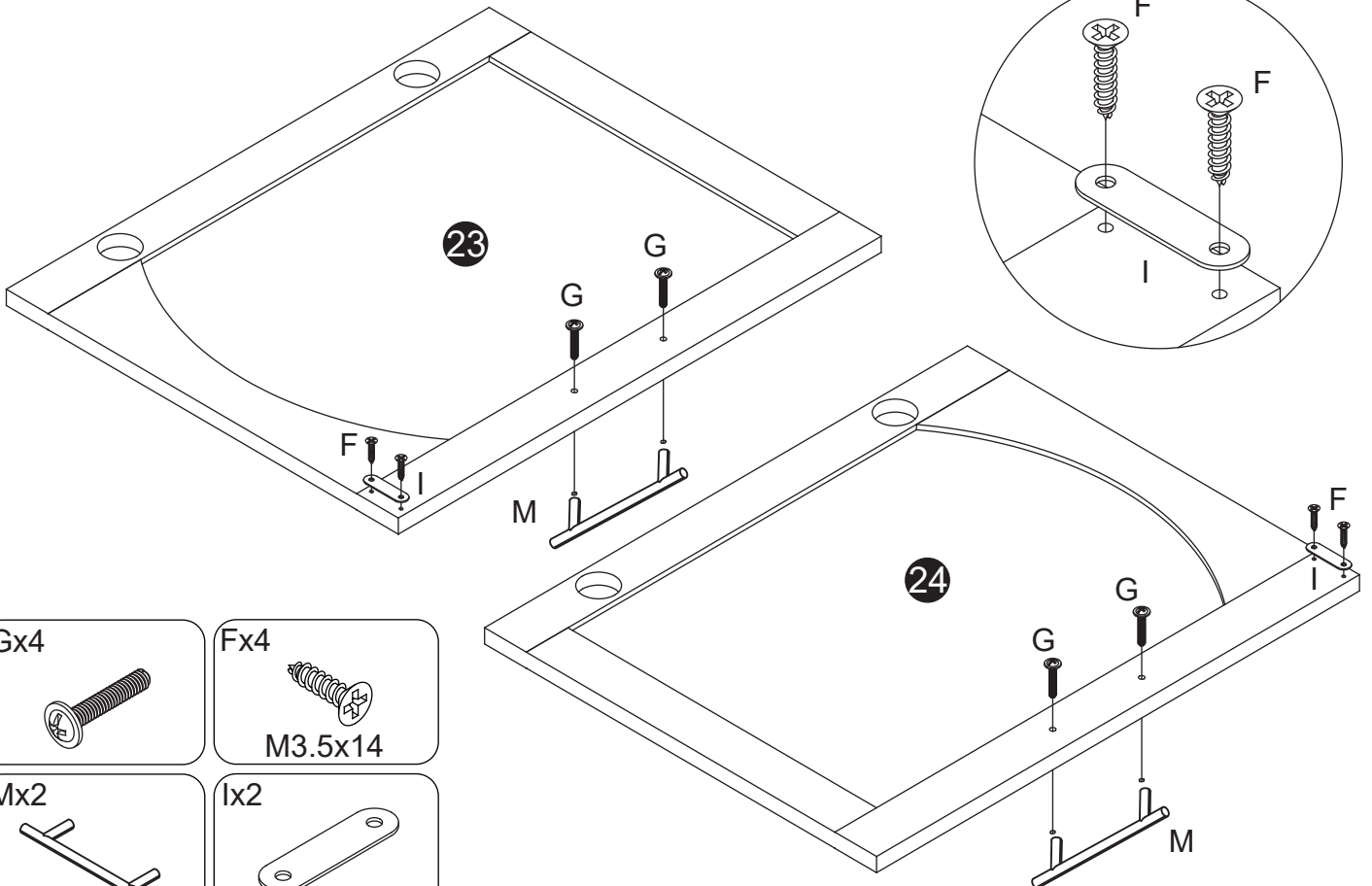
Decal C is optional.



Cx32

Ex8

STEP 16



Gx4

Fx4

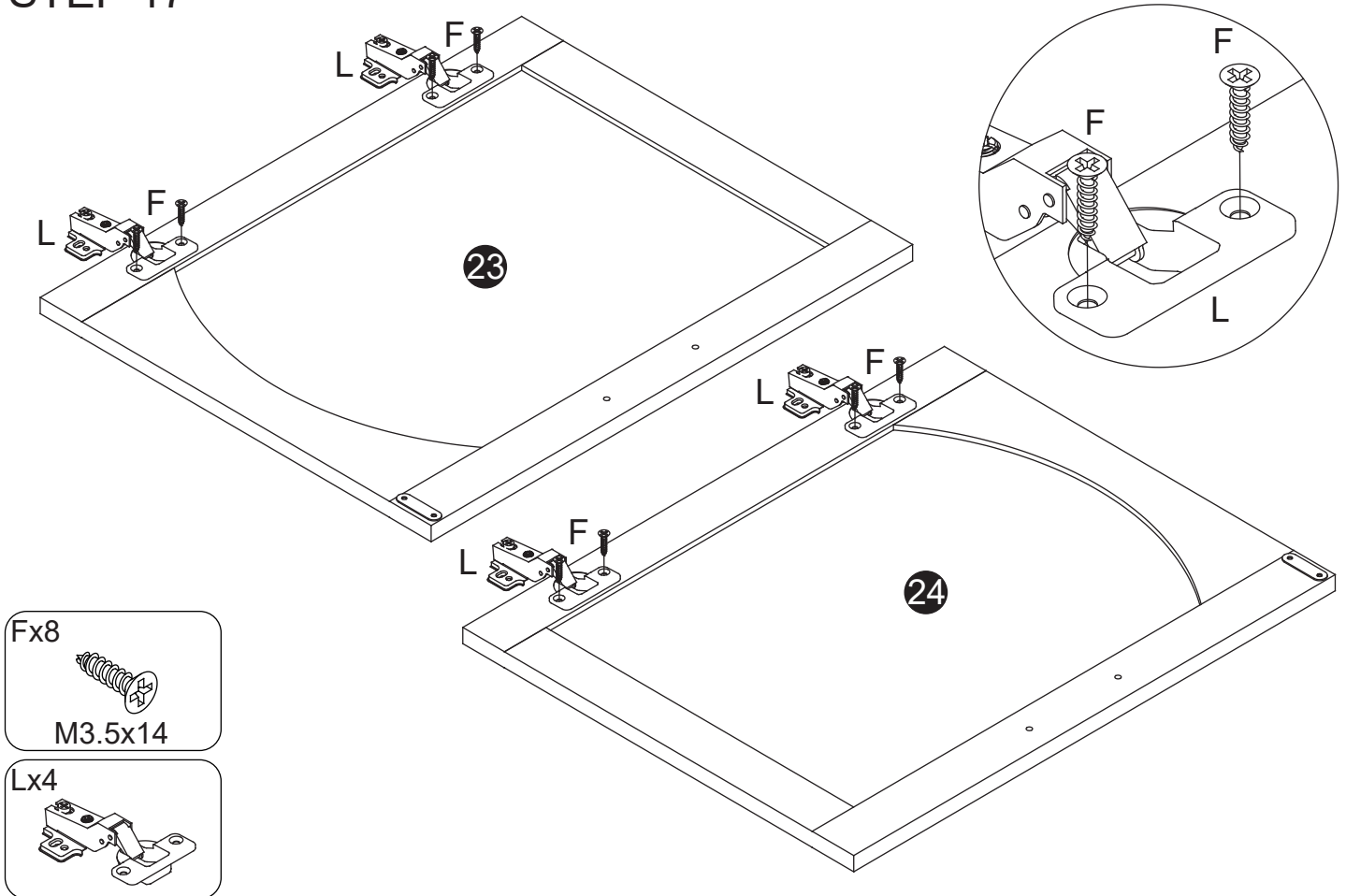
M3.5x14

Mx2

Ix2

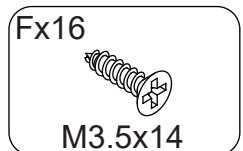
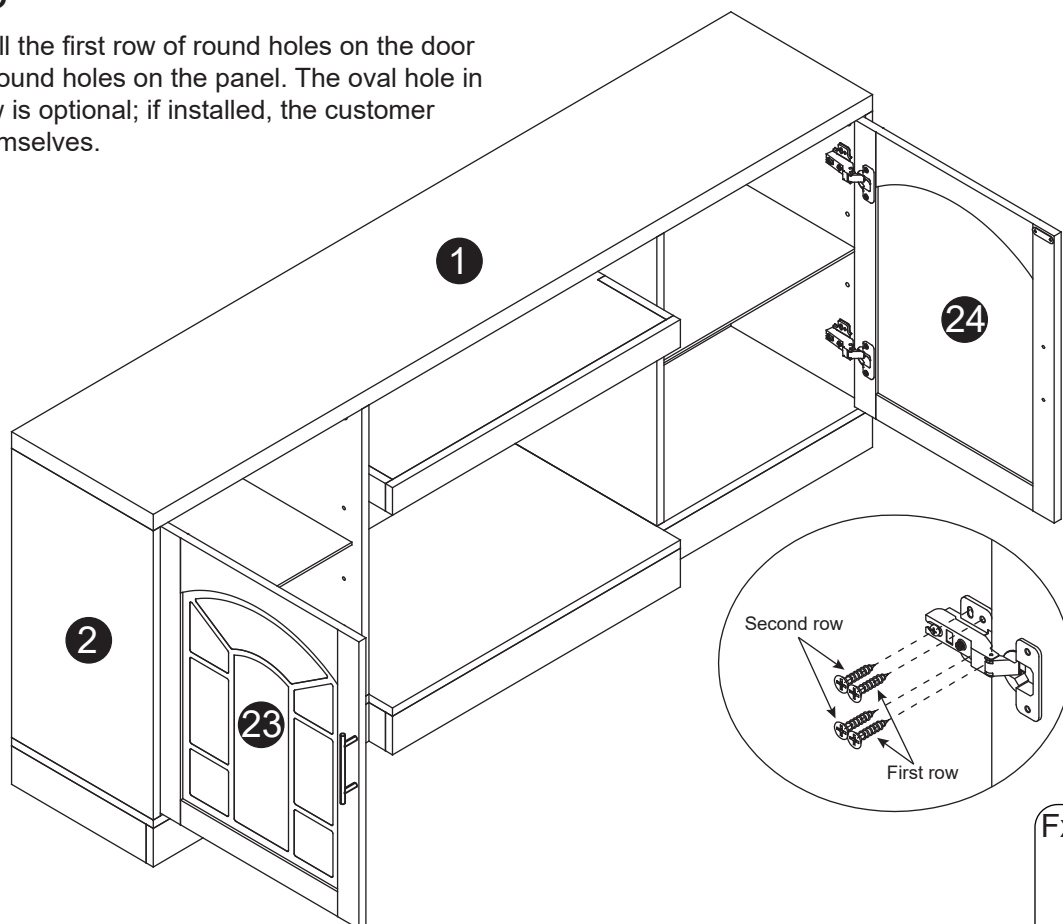
Installation steps

STEP 17



STEP 18

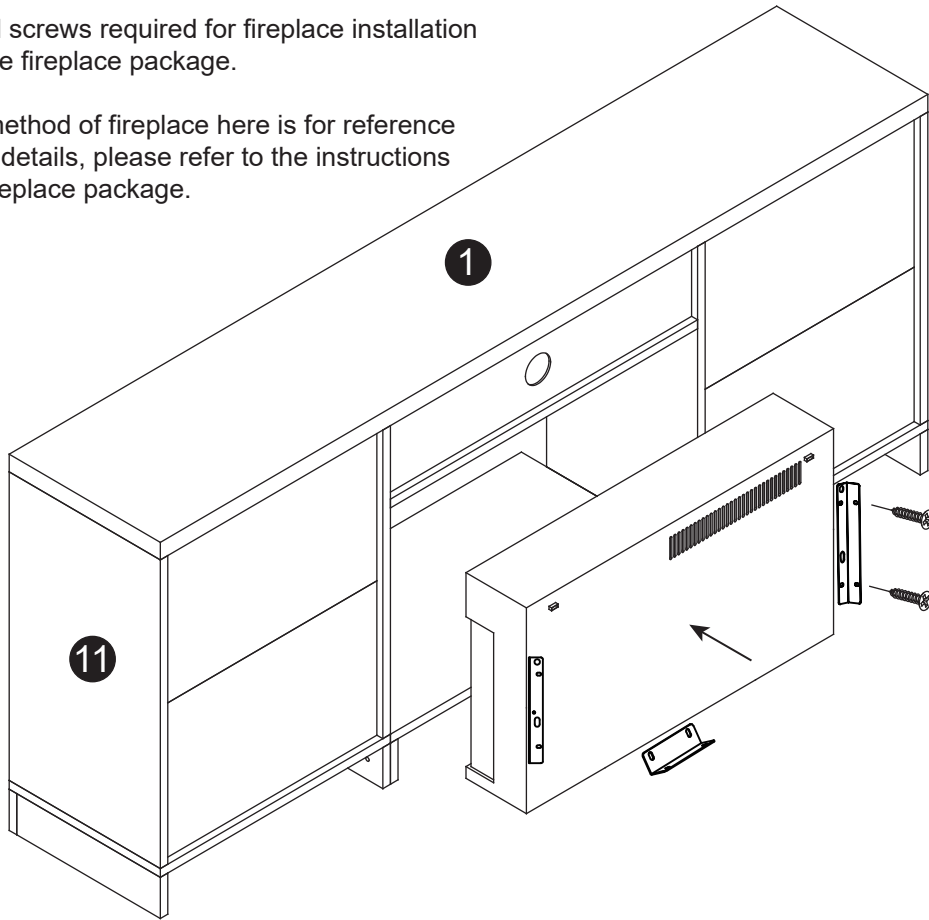
Align and install the first row of round holes on the door latch with the round holes on the panel. The oval hole in the second row is optional; if installed, the customer must drill it themselves.



STEP 19

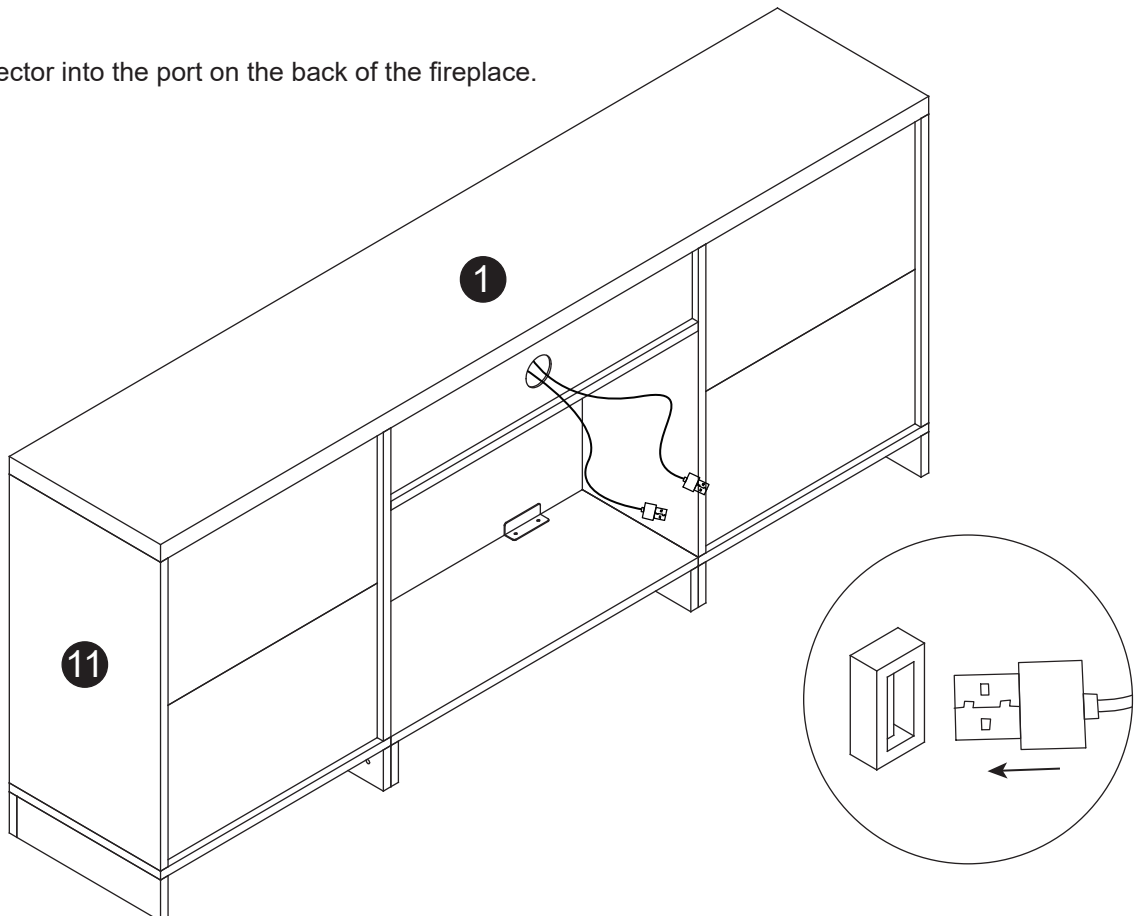
The brackets and screws required for fireplace installation are included in the fireplace package.

The installation method of fireplace here is for reference only. For specific details, please refer to the instructions included in the fireplace package.



STEP 20

Plug the USB connector into the port on the back of the fireplace.



STEP 21

