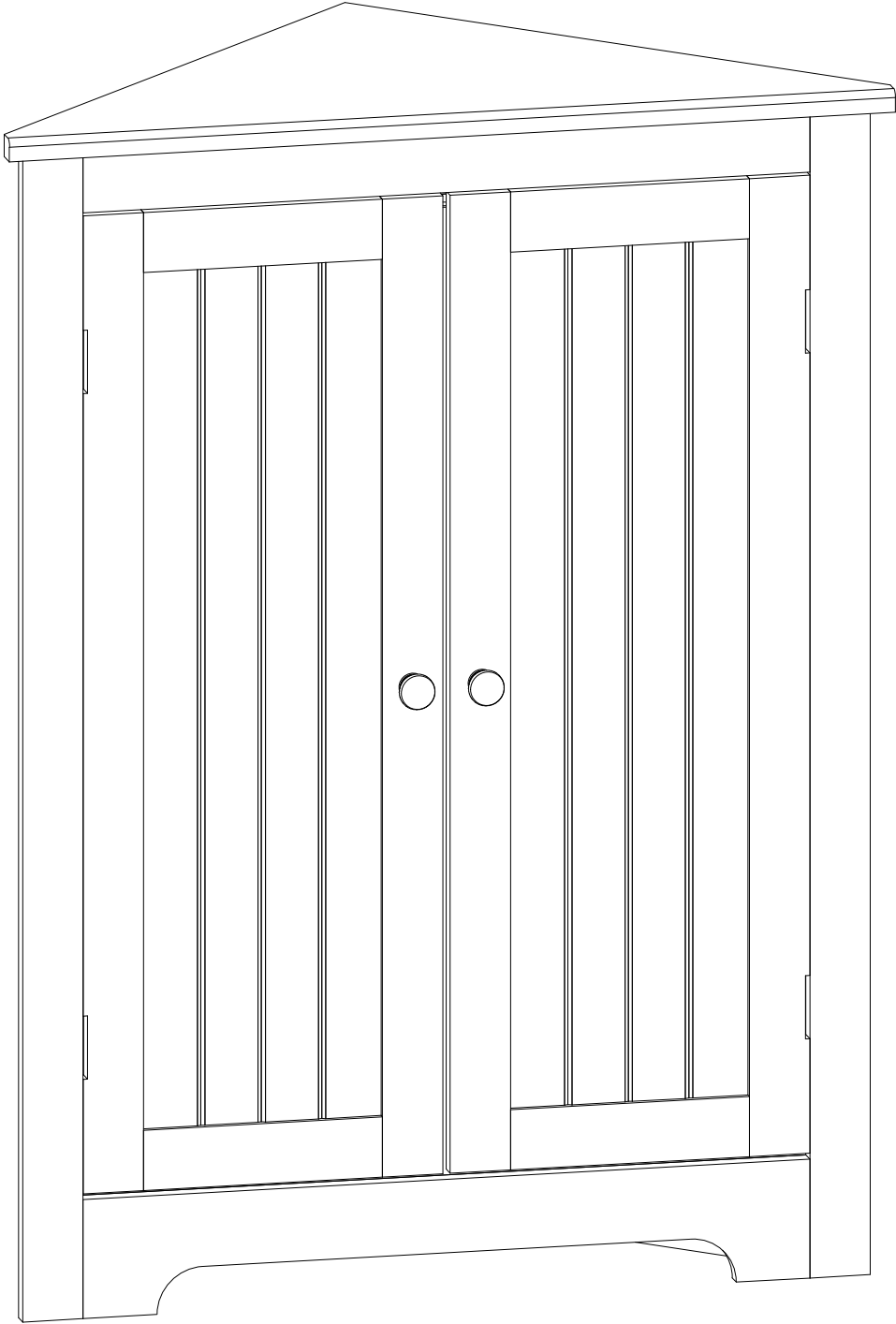
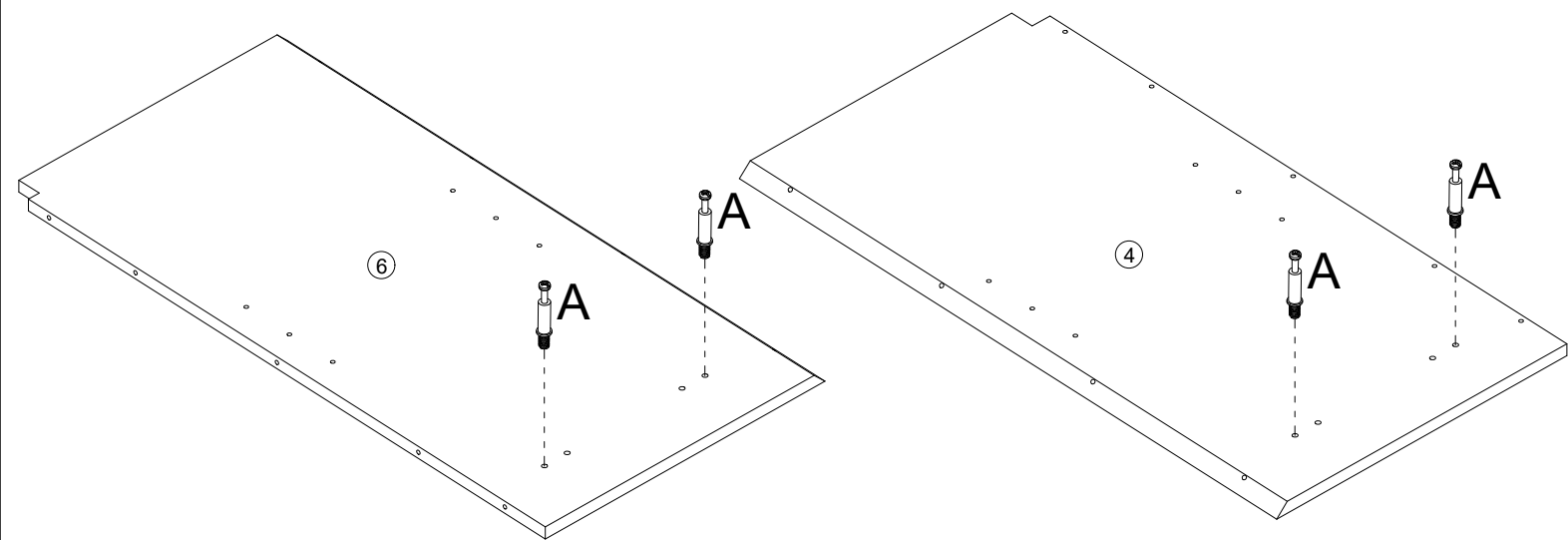


# Installation & Assembly

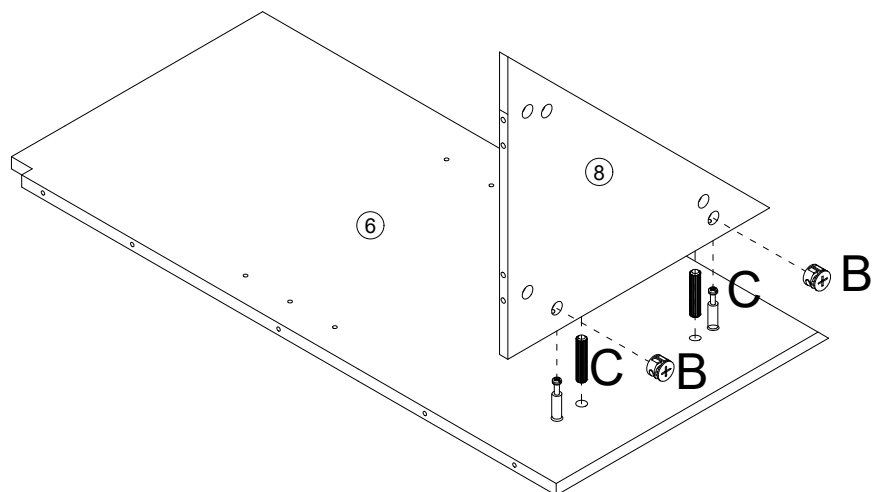




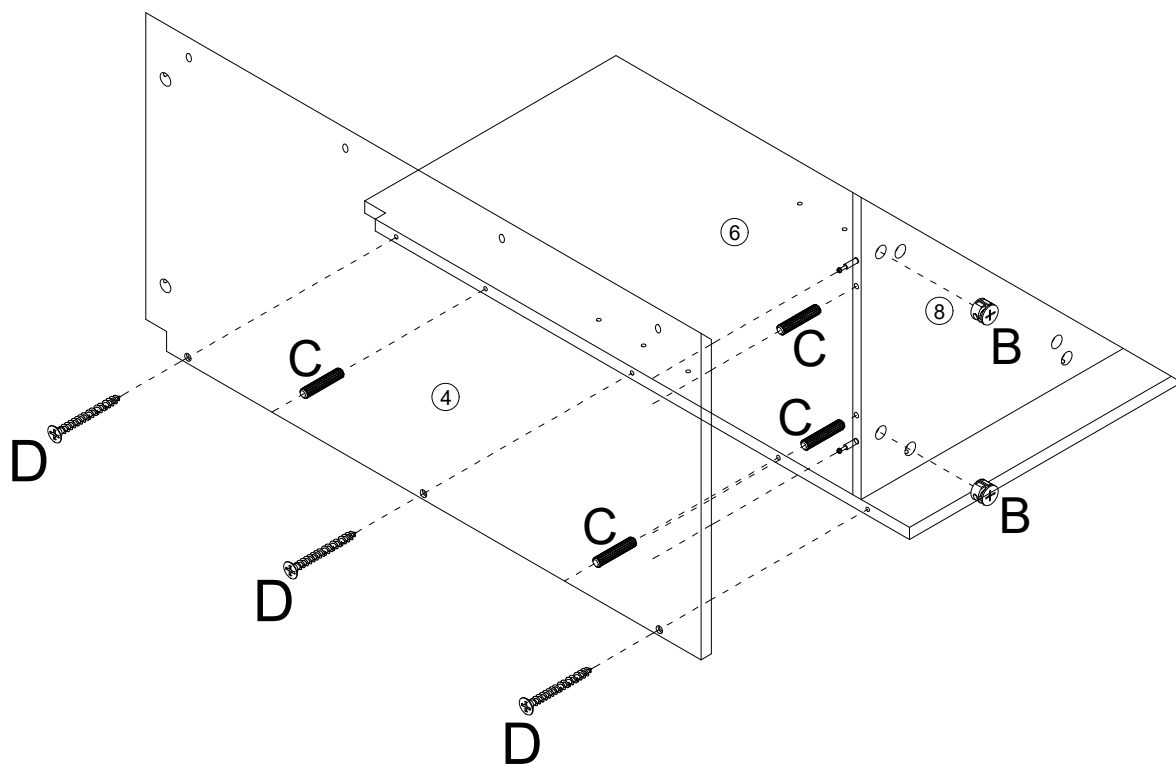
# STEP 1



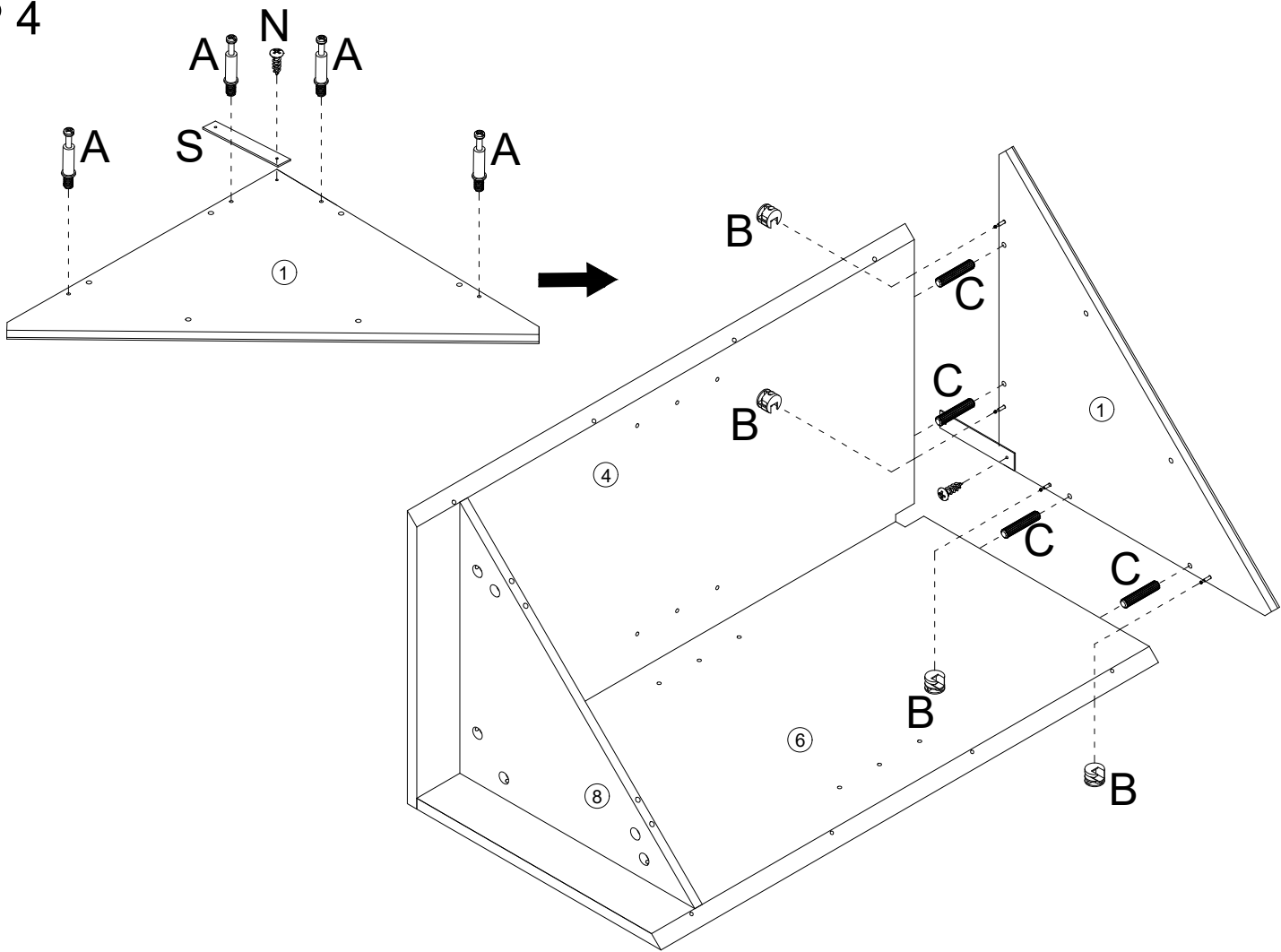
# STEP 2



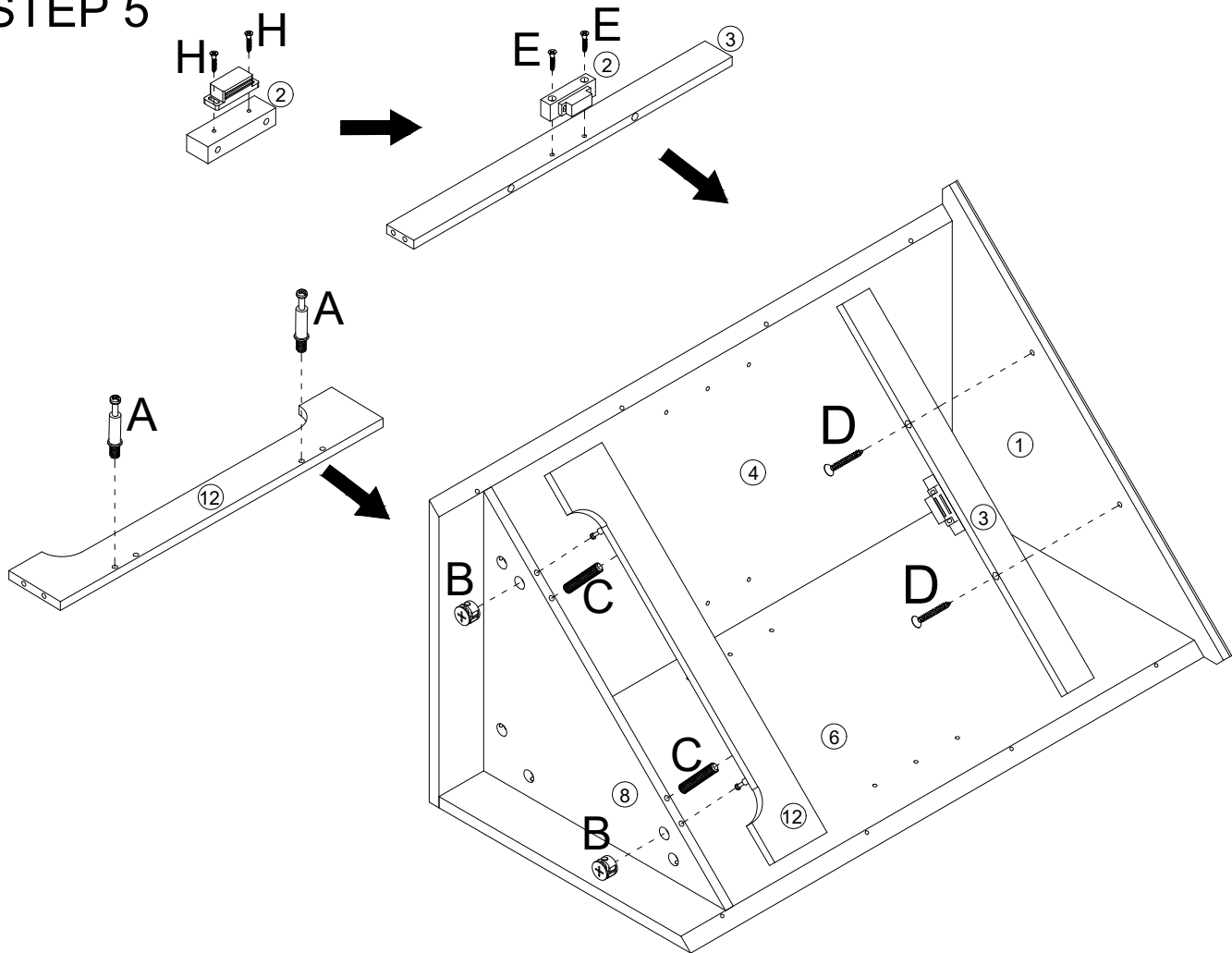
# STEP 3



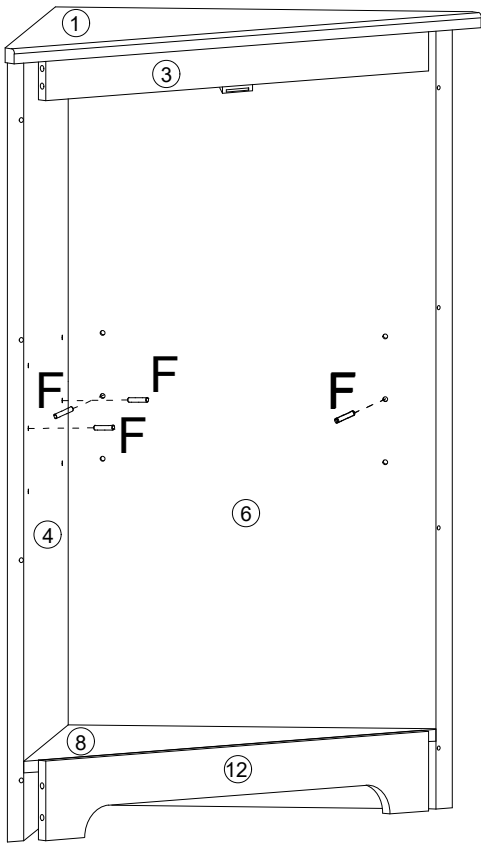
# STEP 4



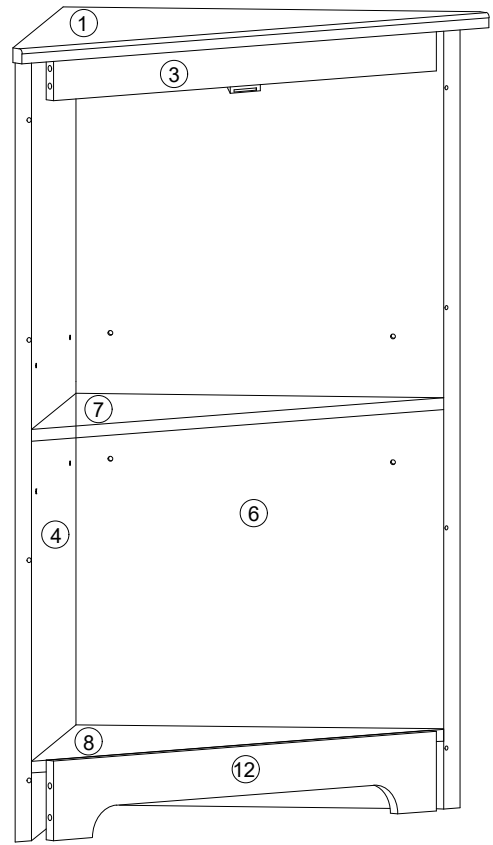
# STEP 5



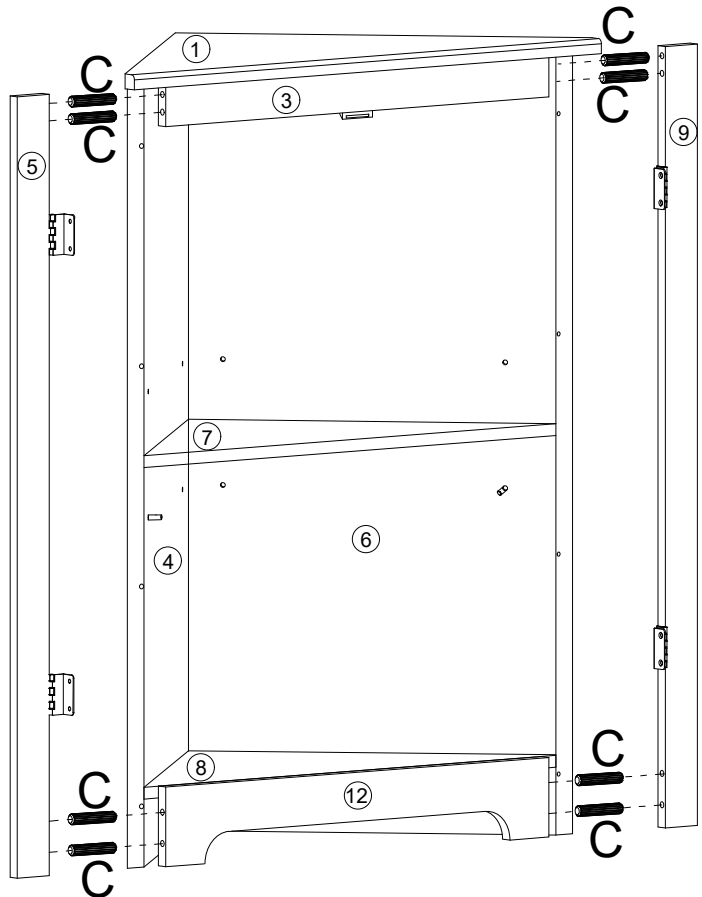
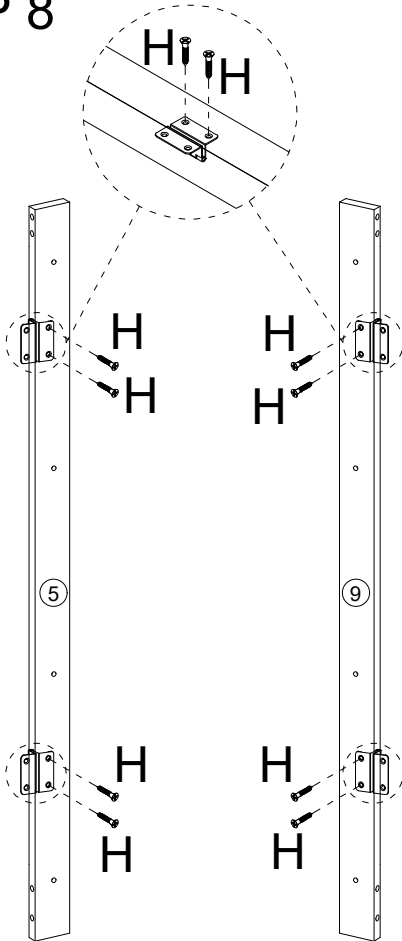
# STEP 6



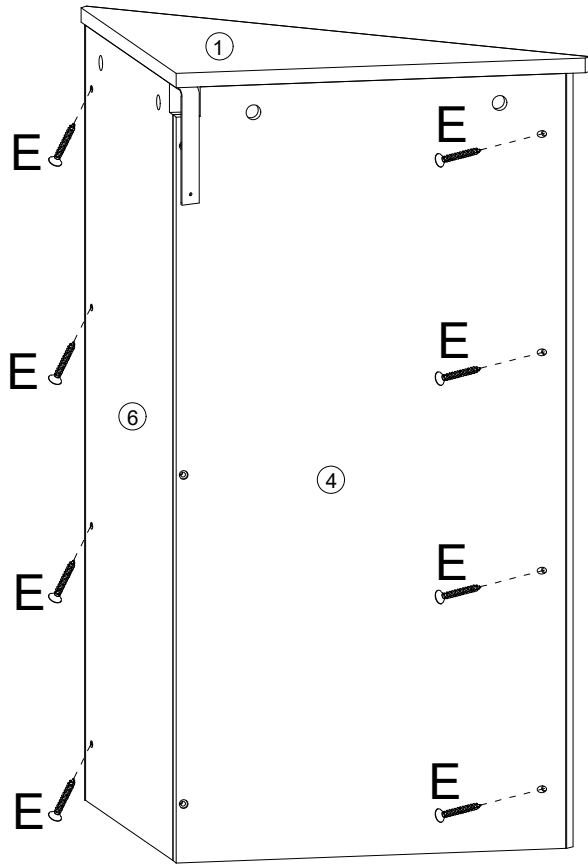
# STEP 7



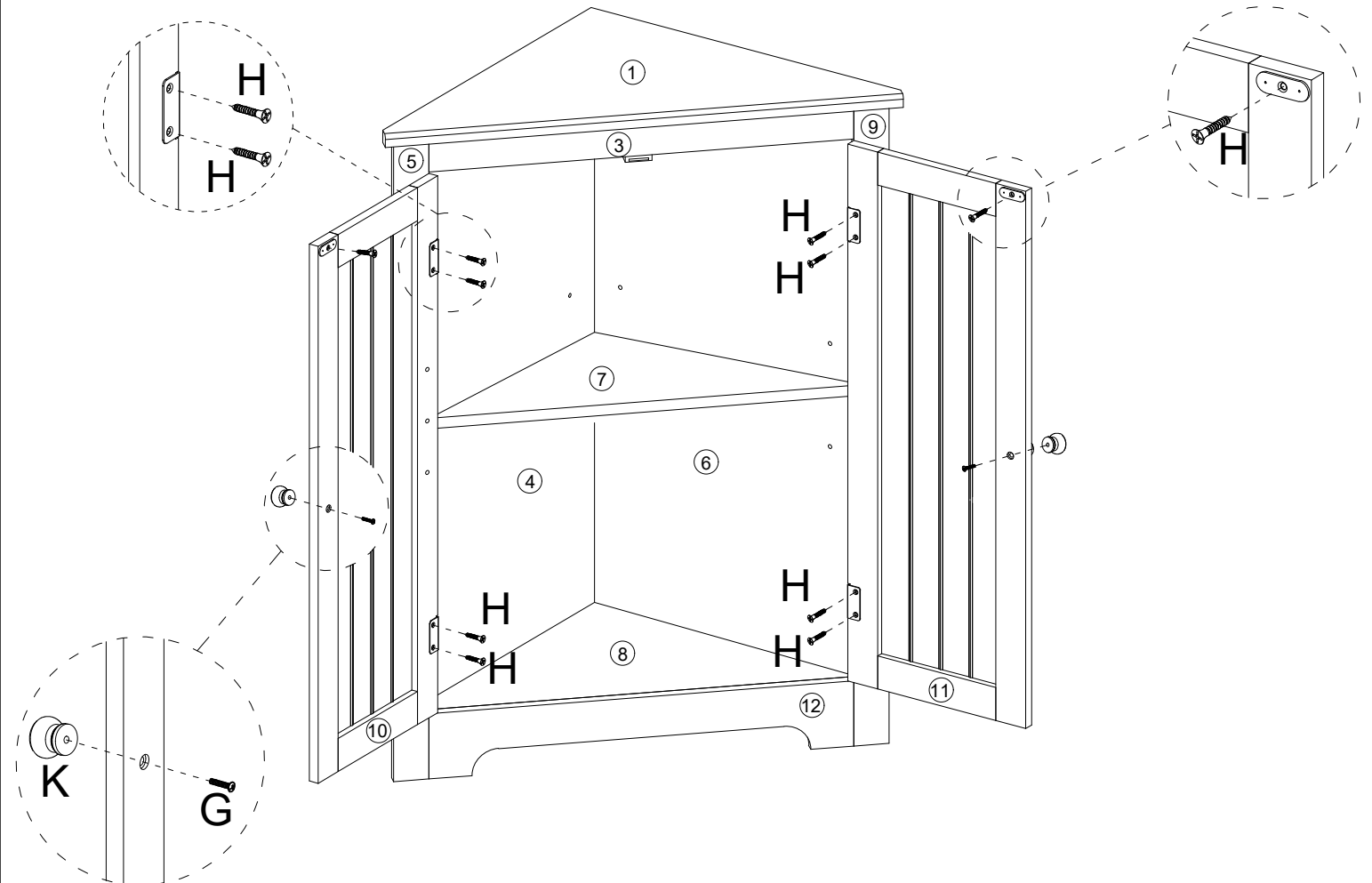
# STEP 8



# STEP 9



# STEP 10



# STEP 11

