

# ASSEMBLY INSTRUCTIONS

## KING STORAGE BED

### (Box 1) BOX OF HEADBOARD & FOOTBOARD

No	ITEM	Qty
A	Headboard	1 pc
B	Footboard	1 pc
C	Headboard Leg (L/R)	2 pcs

### (Box 1) HARDWARE LIST (HEADBOARD)

No	ITEM	Qty
1	JCBC M6 x 30mm	6 pcs
2	SPRING WASHER 1/4" Rbw	6 pcs
3	Flat Washer 1/4" ID x 13mm OD Blk	6 pcs
4	ALLEN KEY m4x65mm Blk	1 pc

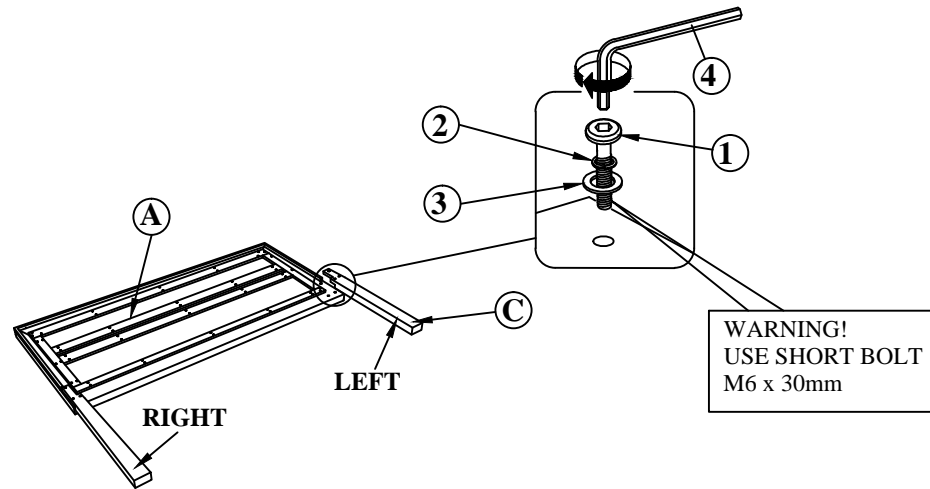
### (Box 2) HARDWARE LIST (SIDE RAIL)

No	ITEM	Qty
5	CSK M4 x 32mm	14 pcs
6	Pan Head Screw M3.5 x 20 blk	30 pcs
7	JCBC M6 x 35mm	2 pcs
8	JCBC M6 x 50mm	9 pcs
9	SPRING WASHER 1/4" Rbw	2 pcs
10	Flat Washer 1/4" ID x 13mm OD Blk	2 pcs
11	ALLEN KEY m4x65mm Blk	1 pc
12	ALLEN KEY m5x65mm Blk	1 pc

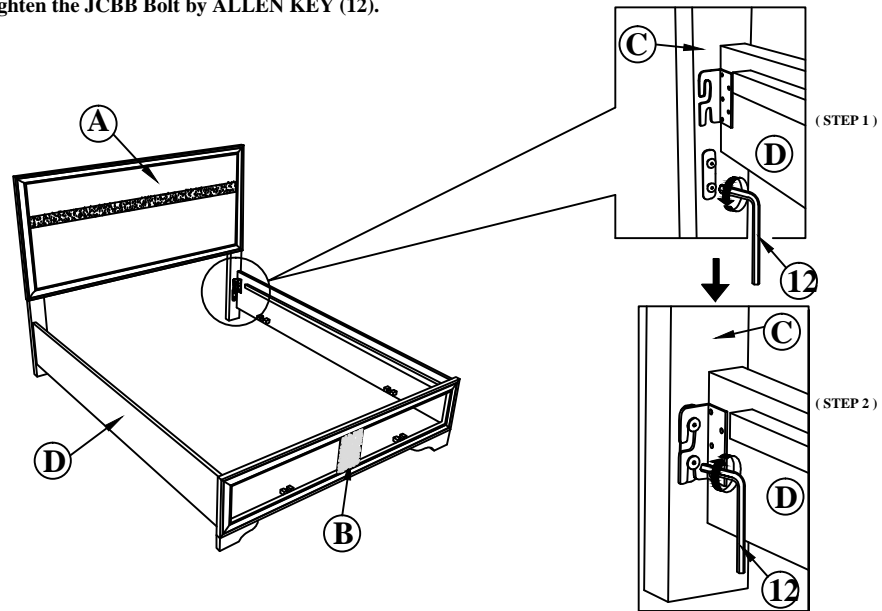
### (Box 3) BOX OF DRAWER

No	ITEM	Qty
L	Drawer	2 pcs

**STEP 1 :** Attach Head Board Leg ( C ) to Head Board ( A ) as shown using JCBC BOLT ( 1 ) with Spring Washer ( 2 ), Flat washer ( 3 ) and securing with ALLEN KEY ( 4 ).

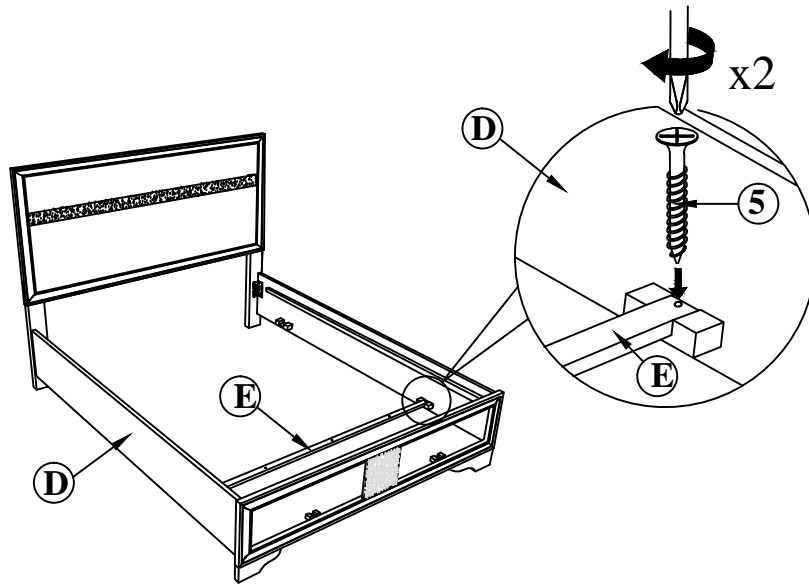


**STEP 2 :** Loosen the JCBB Bolt from Headboard ( A ) and Footboard ( B ) using ALLEN KEY ( 12 ). Attach the Side Rail ( D ) to Headboard ( A ) and Footboard ( B ) by pushing the bracket down to fit it. Tighten the JCBB Bolt by ALLEN KEY ( 12 ).

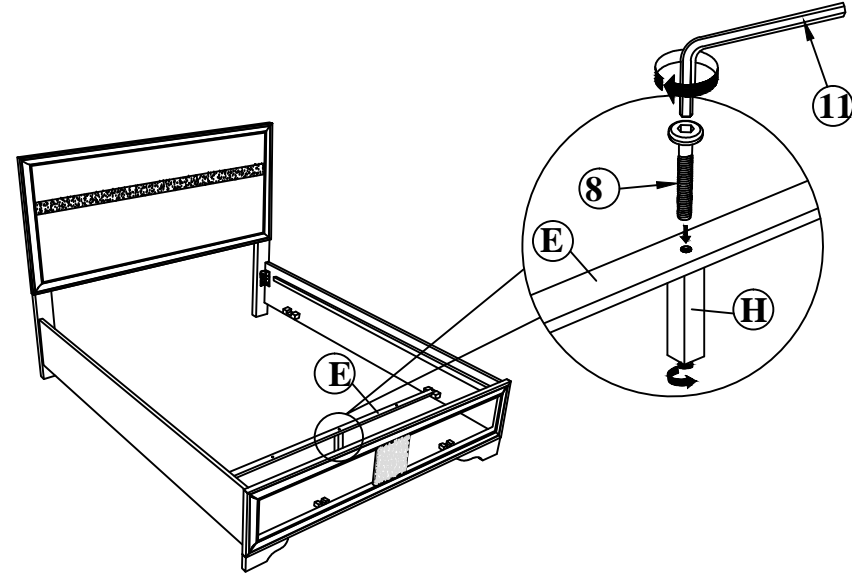


# ASSEMBLY INSTRUCTIONS

**STEP 3 :** Attach the Center Slat Drawer ( E ) to Side Rail ( D ) as shown using CSK Screw ( 5 ) and tighten with Screw Driver.(Not Included)

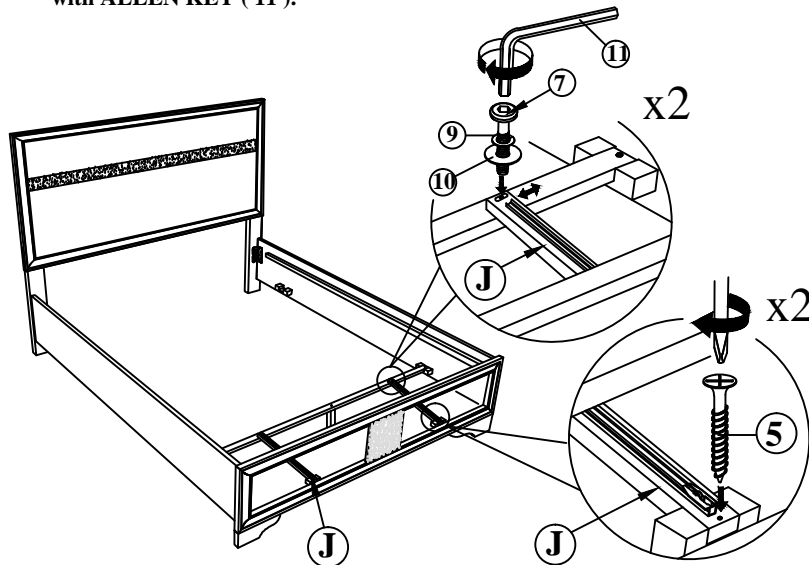


**STEP 4 :** Attach the Support Slat Drawer ( H ) to Center Slat Drawer ( E ) as shown using JCBC Bolt ( 8 ) and tighten with ALLEN KEY ( 11 ).



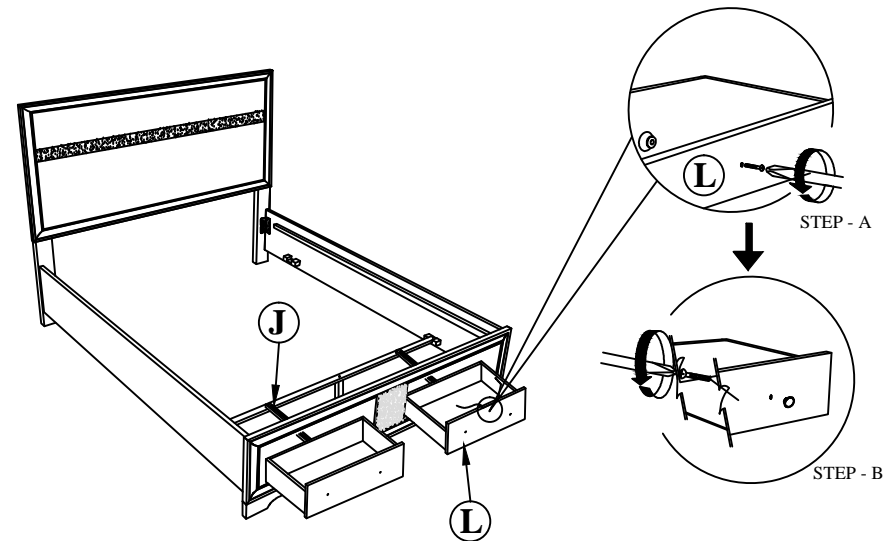
**STEP 5 .1 :** Attach the Drawer Support Rail ( J ) as shown using CSK Screw ( 5 ) and tighten with Screw Driver.(Not Included)

**STEP 5 .2 :** Using JCBC Bolt ( 7 ) with Spring Washer ( 9 ),Flat Washer ( 10 ) and securing with ALLEN KEY ( 11 ).



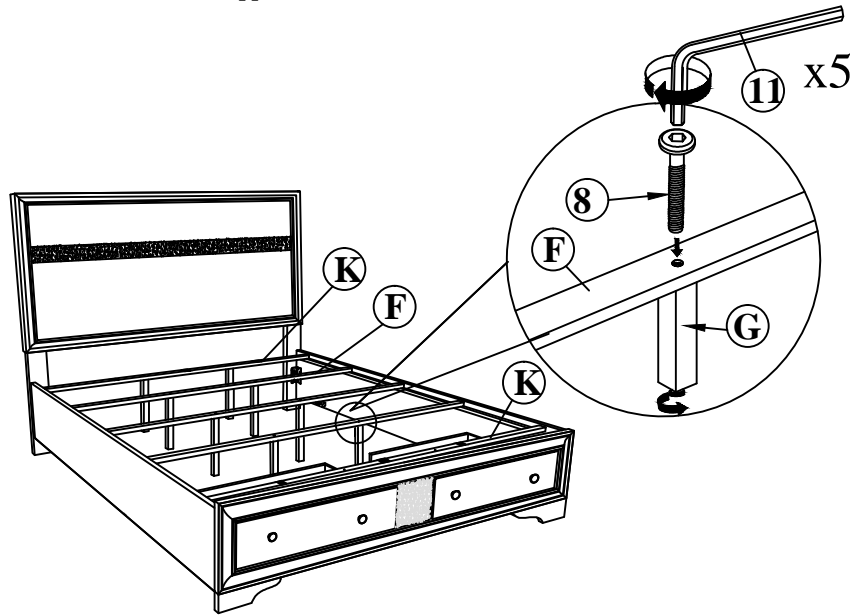
**STEP 6 .1 :** Insert the Drawer ( L ) at the Drawer Support Rail ( J ).

**STEP 6 .2 :** Remove HANDLE and using a Philips head screw driver as shown

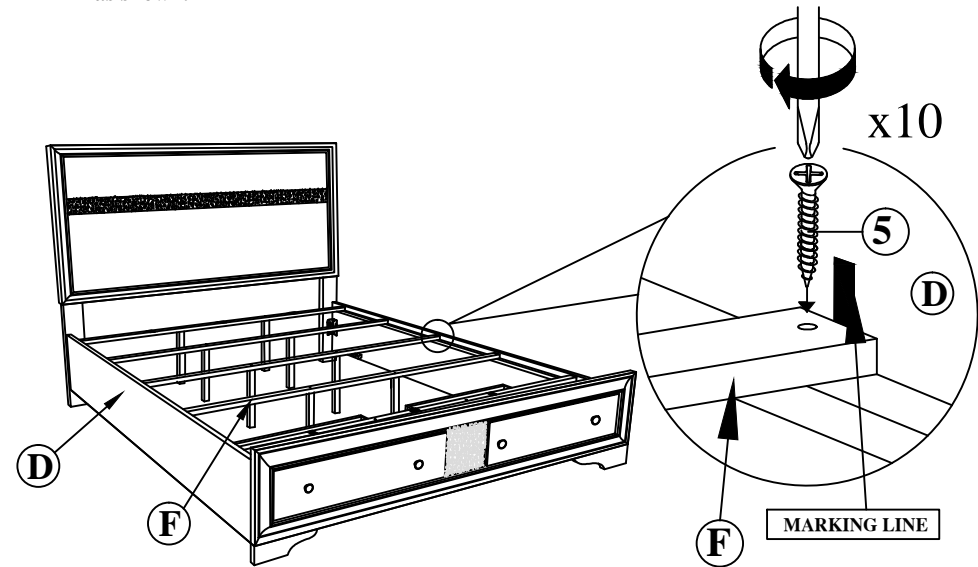


# ASSEMBLY INSTRUCTIONS

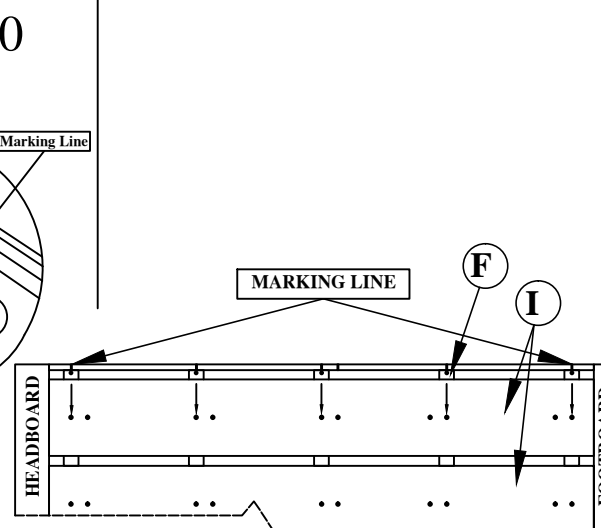
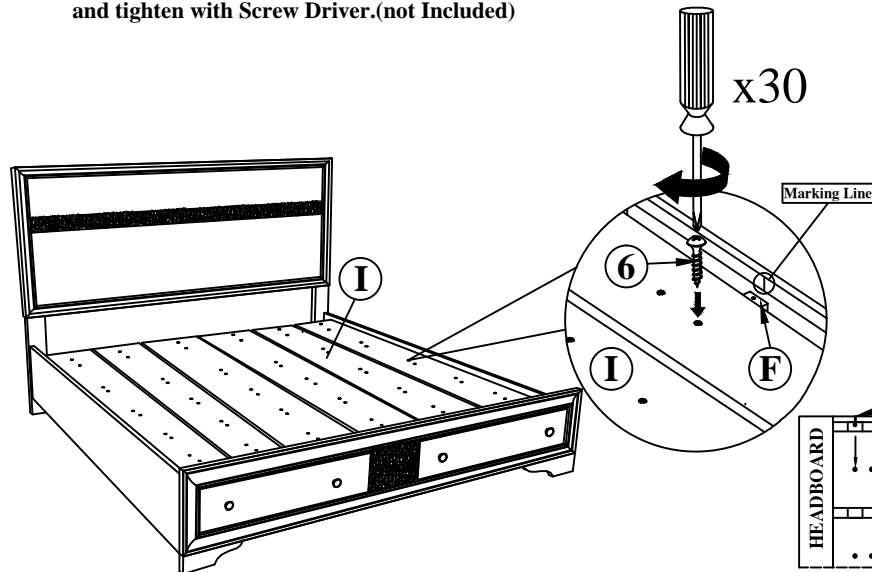
**STEP 7 :** Fix the Bed Slat Support ( G ) to the Bed Slat ( F ) as shown.



**STEP 8 :** Fix the Bed Slat ( F ) & ( K ) by push closely to the Side Rail ( D ) by using SCK Screw ( 5 ) as shown.



**STEP 9:** Attach Concealed Panel ( I ) at the upper Bed Slat ( F ) using Panhead Screw ( 6 ) and tighten with Screw Driver.(not Included)



**COMPLETED ASSEMBLY**

TIGHTEN THE PANHEAD SCREW (6)  
BY FOLLOW THE ARROW AS SHOWN