


# ASSEMBLY INSTRUCTIONS

## QUEEN BED - EASTERN KING BED - CALIFORNIA KING BED

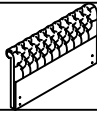

1 QUEEN HEADBOARD  
1 CK HEADBOARD  
1 EK HEADBOARD

Thank you for purchasing this product. Please take time to read and follow the instructions below. Check that you have all parts and hardware before assembly. Parts apparently missing are often found in the packing materials. If you do not have all the parts listed, have your dealer contact us and they be sent to you immediately.

 It is recommended to install protective pads under all legs and support to avoid damage or scratches when placing furniture on a wood floor or other hard surface, and to limit indentation and prevent discoloration if placing on carpet.

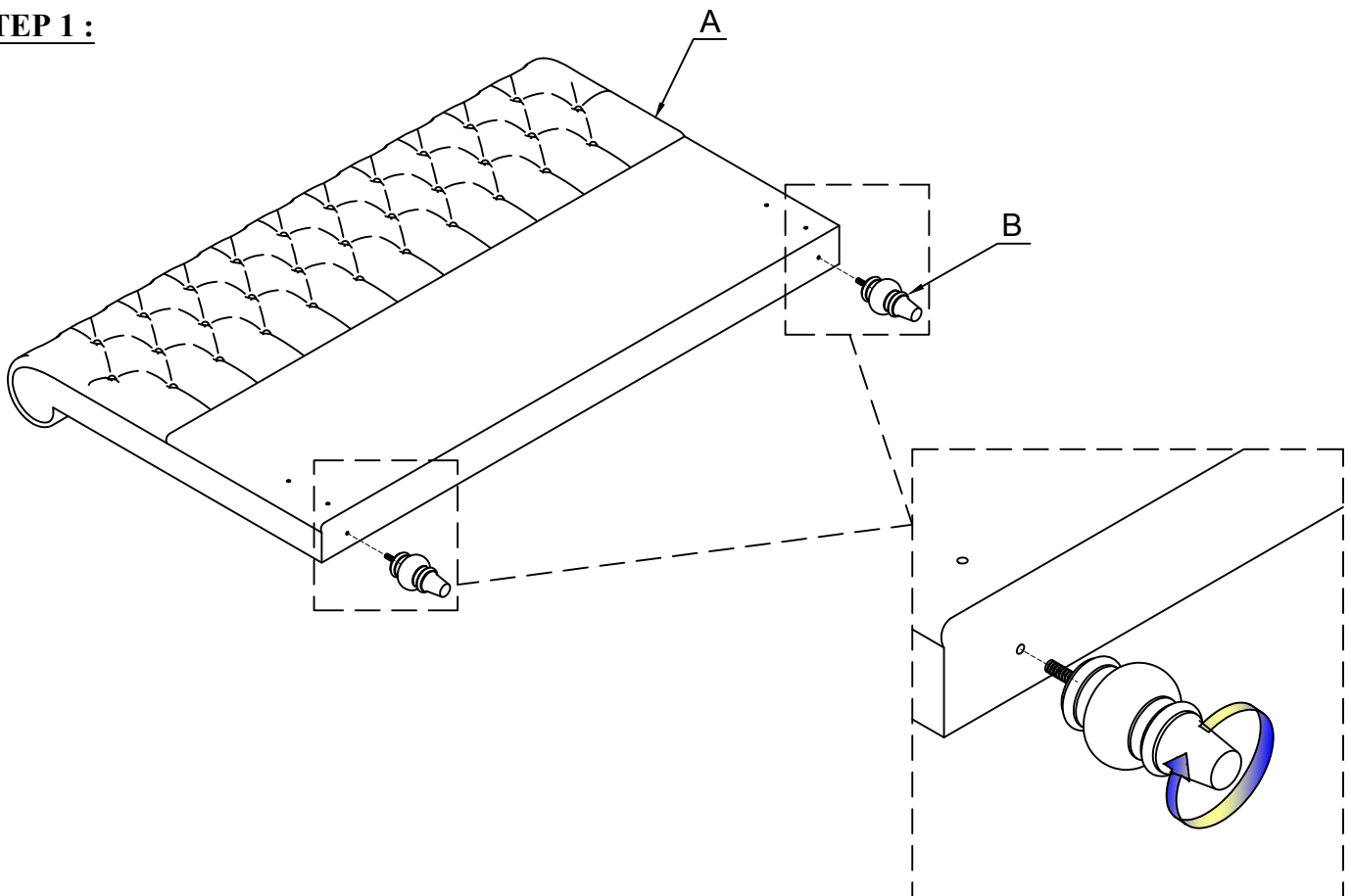
\* DO NOT TIGHTEN BOLTS UNTIL COMPLETELY ASSEMBLED

### PARTS LIST

| NO. | SKETCH   | DESCRIPTION | QTY   |
|-----|--|-------------|-------|
| A   |   | Headboard   | 1 PC  |
| B   |  | Bun Foot    | 2 PCS |

\*ABOVE HARDWARE ARE PACKED IN  
B40 and B41-1, B40 and B41EK-1 & B40 and B41CK-1  
FOR ASSEMBLY

### STEP 1 :




# ASSEMBLY INSTRUCTIONS

## QUEEN BED - EASTERN KING BED - CALIFORNIA KING BED

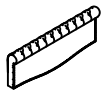

2 QUEEN FOOTBOARD  
2 CK FOOTBOARD  
2 EK FOOTBOARD

Thank you for purchasing this product. Please take time to read and follow the instructions below. Check that you have all parts and hardware before assembly. Parts apparently missing are often found in the packing materials. If you do not have all the parts listed, have your dealer contact us and they be sent to you immediately.

 It is recommended to install protective pads under all legs and support to avoid damage or scratches when placing furniture on a wood floor or other hard surface, and to limit indentation and prevent discoloration if placing on carpet.

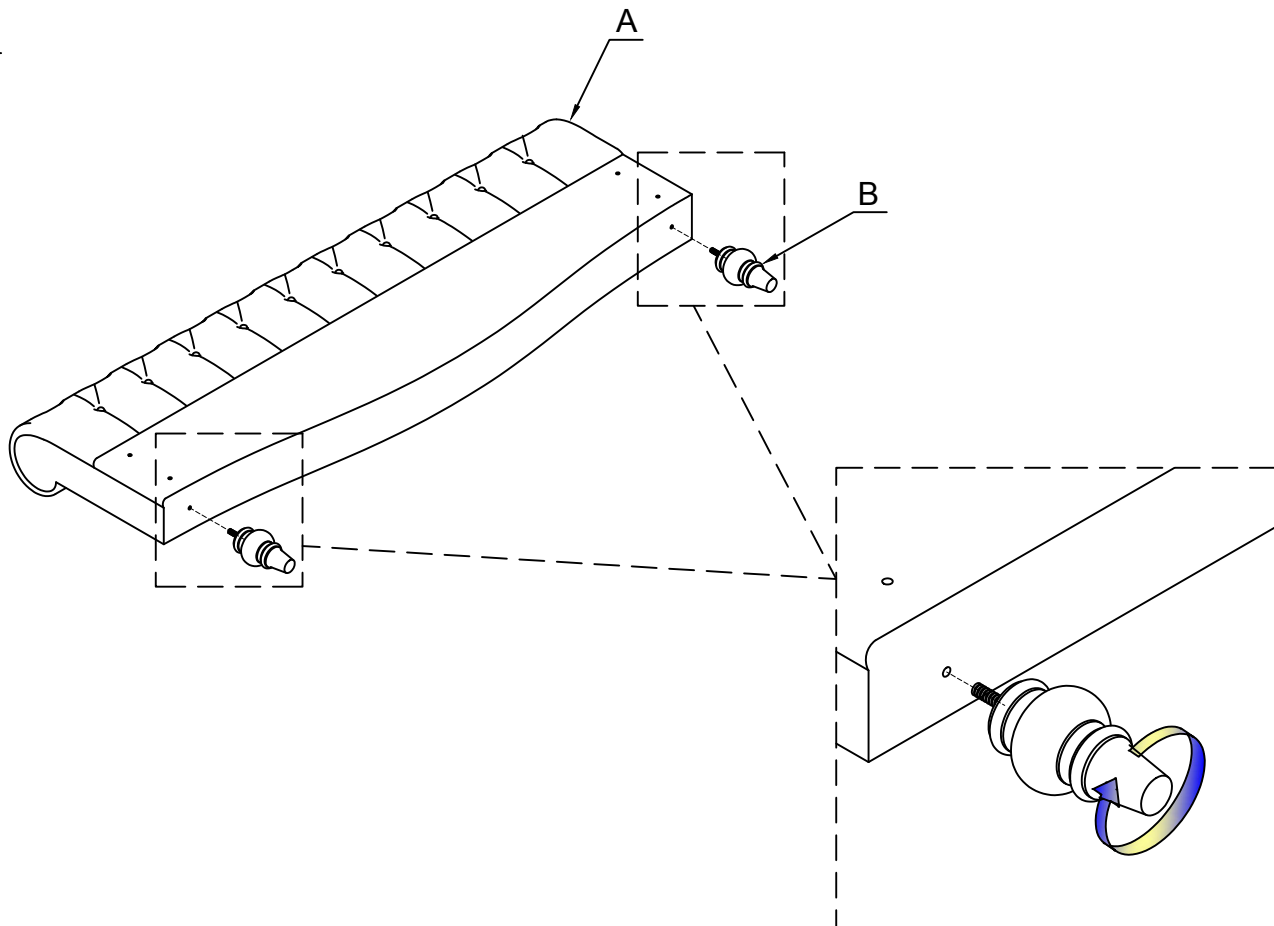
\* DO NOT TIGHTEN BOLTS UNTIL COMPLETELY ASSEMBLED

### PARTS LIST

| NO. | SKETCH   | DESCRIPTION | QTY   |
|-----|--|-------------|-------|
| A   |   | Footboard   | 1 PC  |
| B   |  | Bun Foot    | 2 PCS |

\*ABOVE HARDWARE ARE PACKED IN  
B40 and B41-2, B40 and B41EK-2 & B40 and B41CK-2  
FOR ASSEMBLY

### STEP 1 :



# ASSEMBLY INSTRUCTIONS

## QUEEN BED - EASTERN KING BED - CALIFORNIA KING BED


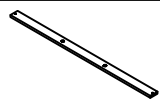
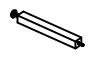
- 1 QUEEN HEADBOARD
- 2 QUEEN FOOTBOARD
- 3 QUEEN SIDE RAIL WITH SLATS
- 1 CK HEADBOARD
- 2 CK FOOTBOARD
- 3 CK SIDE RAIL WITH SLATS
- 1 EK HEADBOARD
- 2 EK FOOTBOARD
- 3 EK SIDE RAIL WITH SLATS

Thank you for purchasing this product. Please take time to read and follow the instructions below. Check that you have all parts and hardware before assembly. Parts apparently missing are often found in the packing materials. If you do not have all the parts listed, have your dealer contact us and they be sent to you immediately.






**!** It is recommended to install protective pads under all legs and support to avoid damage or scratches when placing furniture on a wood floor or other hard surface, and to limit indentation and prevent discoloration if placing on carpet.

**\* DO NOT TIGHTEN BOLTS UNTIL COMPLETELY ASSEMBLED**

### PARTS LIST

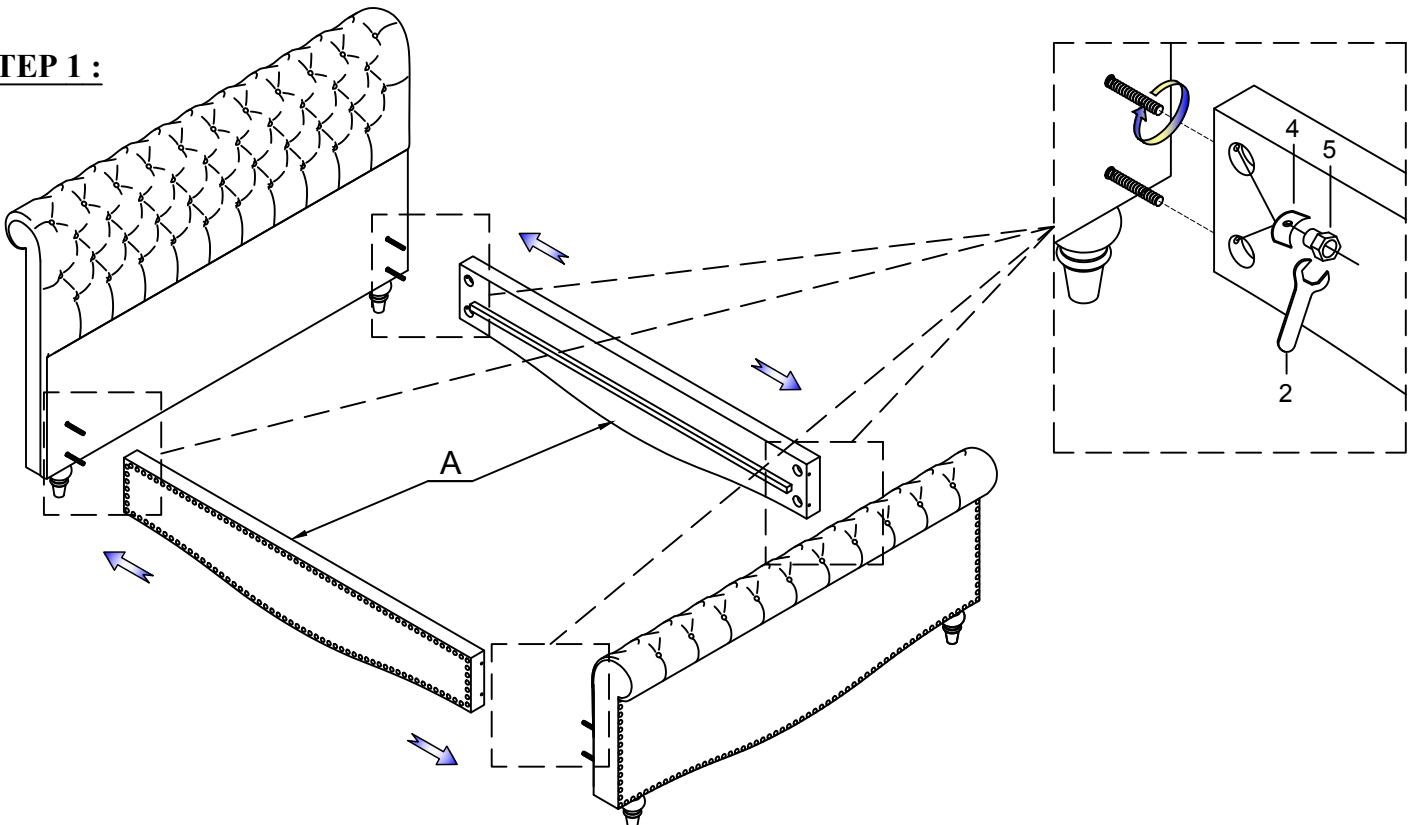
| NO. | SKETCH  | DESCRIPTION      | QTY    |
|-----|---|------------------|--------|
| A   |    | Side Rail        | 2 PCS  |
| B   |   | Slat             | 5 PCS  |
| C   |  | Slat Support Leg | 10 PCS |

### HARDWARE LIST

| NO. | SKETCH  | DESCRIPTION  | SIZE         | QTY    |
|-----|---|--------------|--------------|--------|
| 1   |    | Screw        | M4 x 30mm    | 10 PCS |
| 2   |    | Open Wrench  |              | 1 PC   |
| 3   |  | Thread Bolt  | Ø5/16 "x80mm | 8 PCS  |
| 4   |  | Curve Washer |              | 8 PCS  |
| 5   |  | Hex Nut      |              | 8 PCS  |

\*ABOVE HARDWARE ARE PACKED IN B40 and B41-3, B40 and B41EK-3 & B40 and B41CK-3 FOR ASSEMBLY

### STEP 1 :

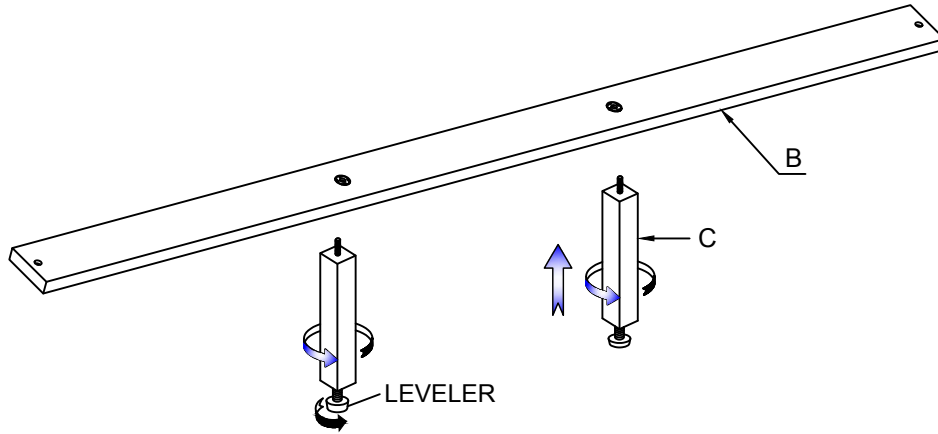


# ASSEMBLY INSTRUCTIONS

## QUEEN BED - EASTERN KING BED - CALIFORNIA KING BED

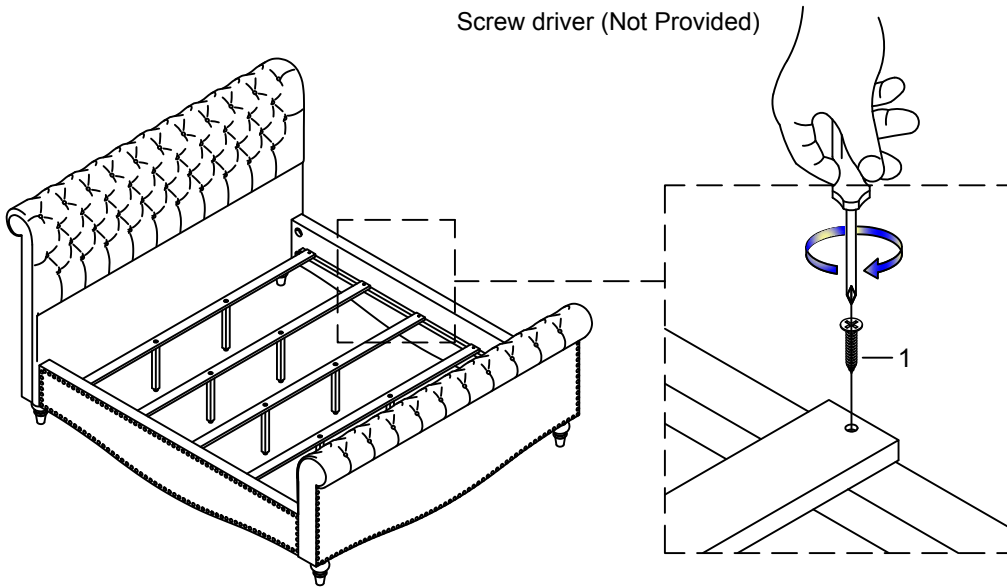
- 1 QUEEN HEADBOARD
- 2 QUEEN FOOTBOARD
- 3 QUEEN SIDE RAIL WITH SLATS
- 1 CK HEADBOARD
- 2 CK FOOTBOARD
- 3 CK SIDE RAIL WITH SLATS
- 1 EK HEADBOARD
- 2 EK FOOTBOARD
- 3 EK SIDE RAIL WITH SLATS

### STEP 2 :



### STEP 3 :

Screw driver (Not Provided)



### STEP 4 :

