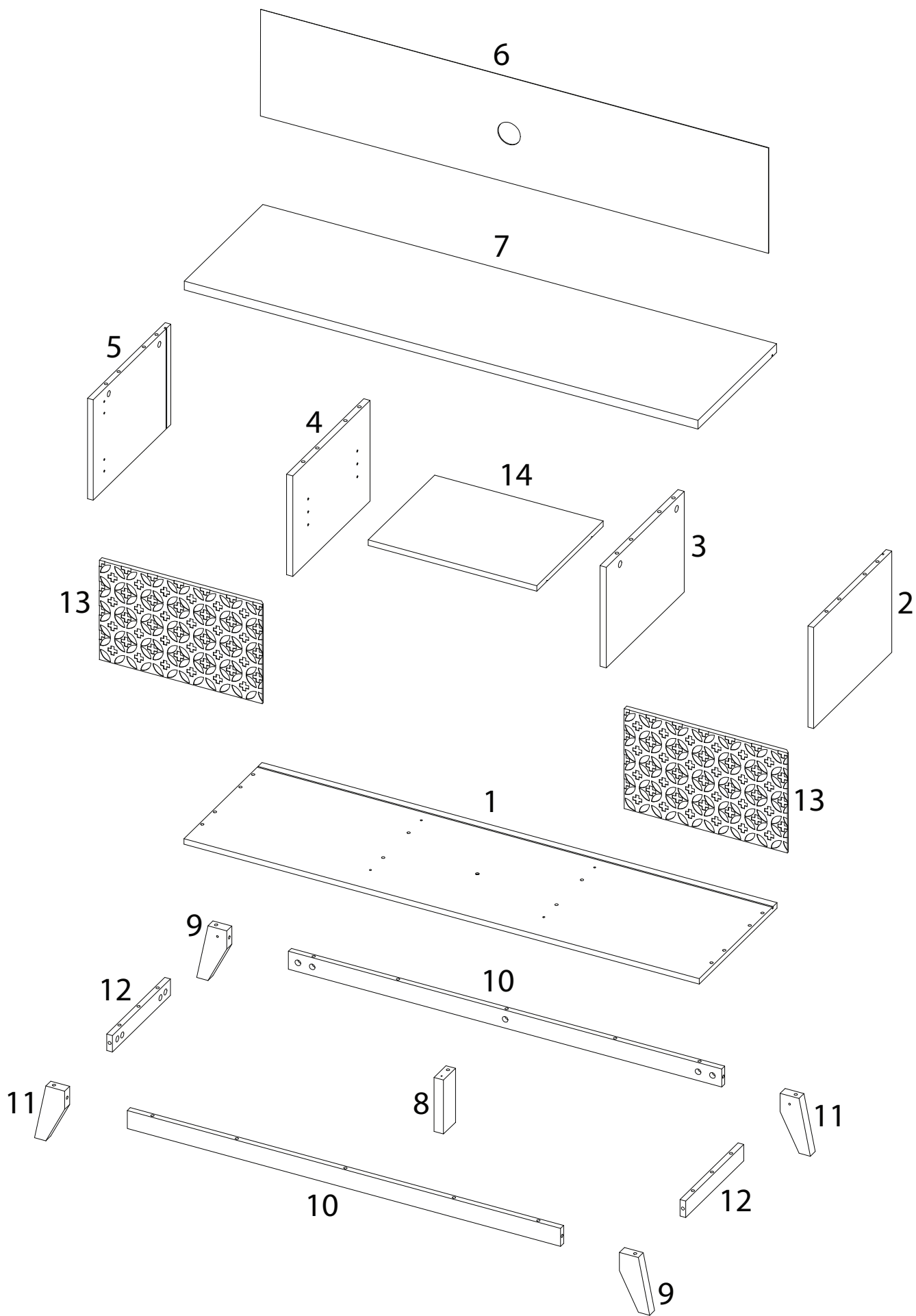
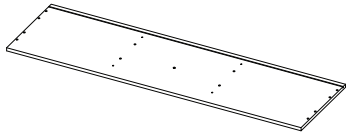


Assembly instructions for step 1/19:

- Tools:** A screwdriver is required. A power drill is not to be used (indicated by a diagonal line through the drill icon).
- Time:** Estimated assembly time is 90 minutes, represented by a clock icon.
- Warnings:** Two warning triangles with exclamation marks are shown, indicating potential hazards.
- Personnel:** Two people are required for assembly, represented by a person icon and the number 2.

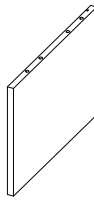


1



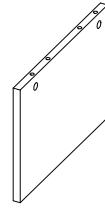
x 1

2



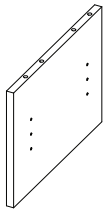
x 1

3



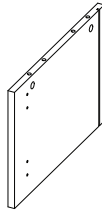
x 1

4



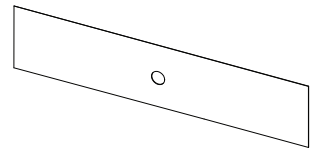
x 1

5



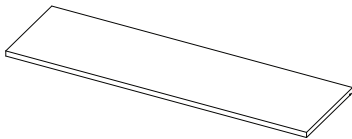
x 1

6



x 1

7



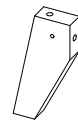
x 1

8



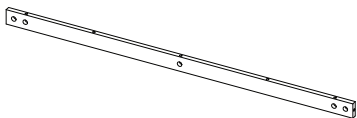
x 1

9



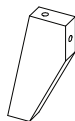
x 2

10



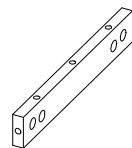
x 2

11



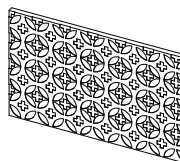
x 2

12



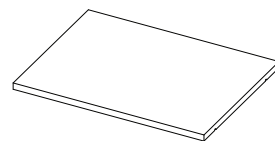
x 2

13



x 2

14



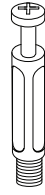
x 1

A



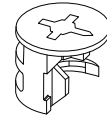
x 22

B



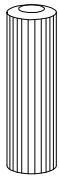
x 4

C



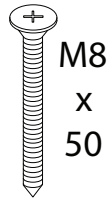
x 26

D



x 27

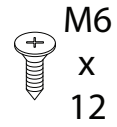
E



M8  
x  
50

x 9

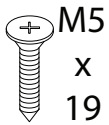
F



M6  
x  
12

x 16

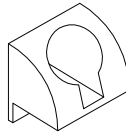
G



M5  
x  
19

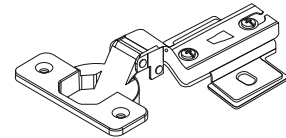
x 6

H



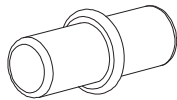
x 6

I



x 4

J



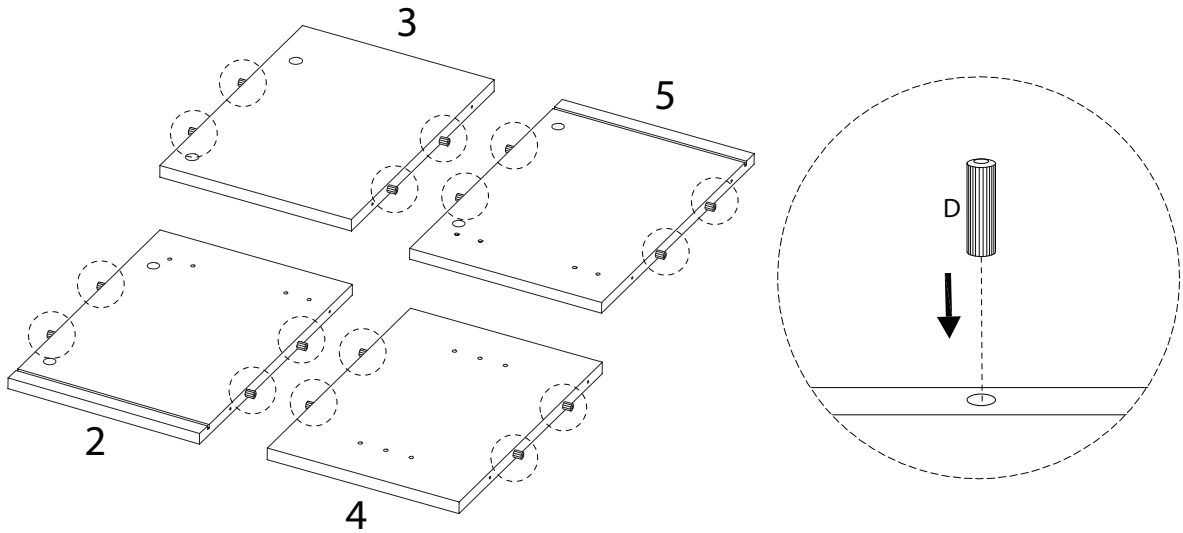
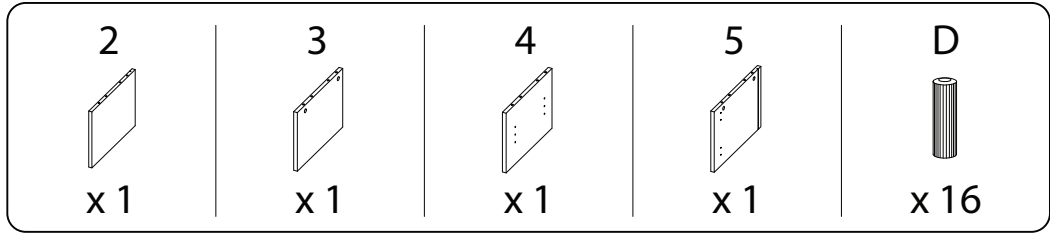
x 4

K

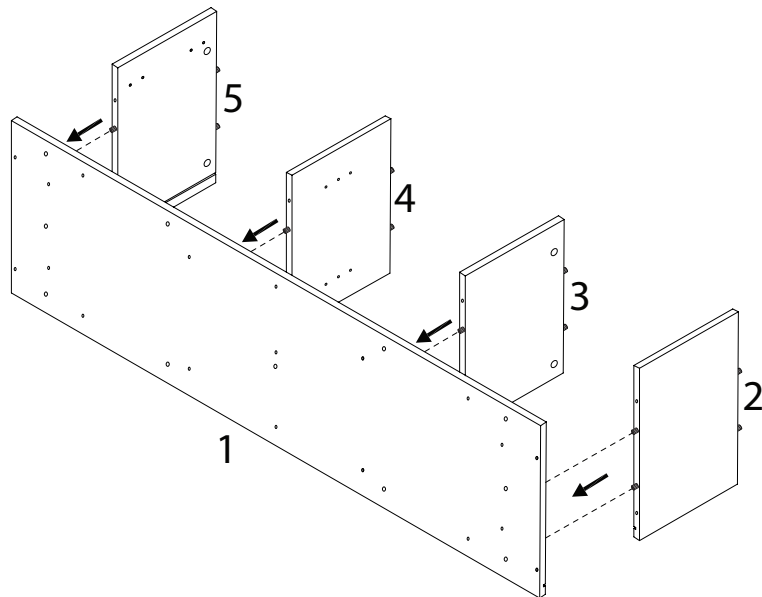
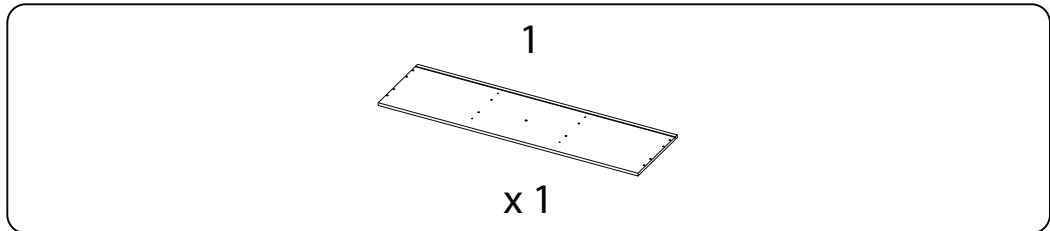


x 8

1

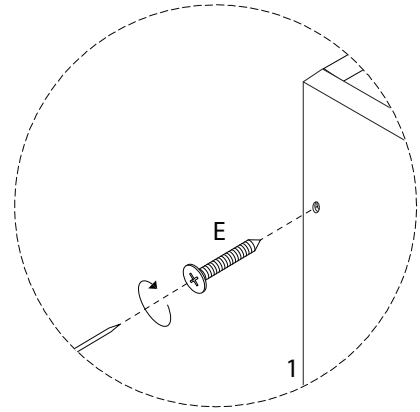
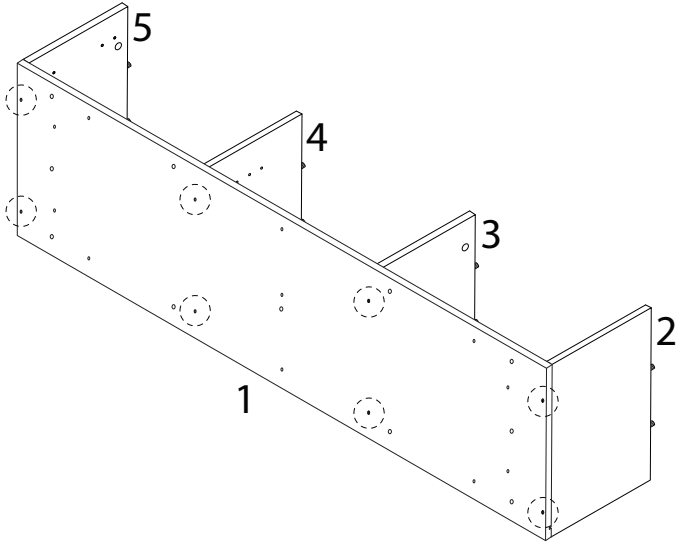


2



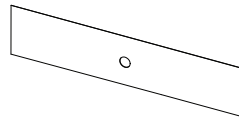
3

E  
M8  
x  
50  
x 8

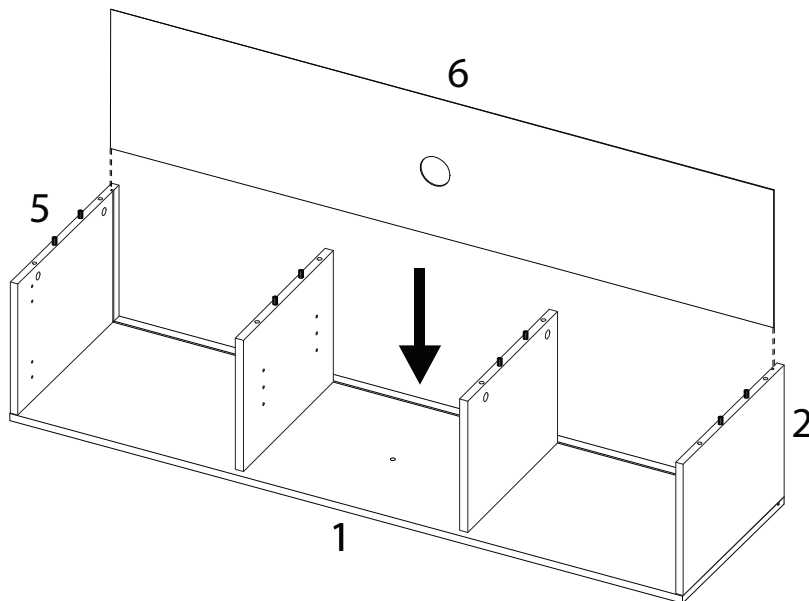


4

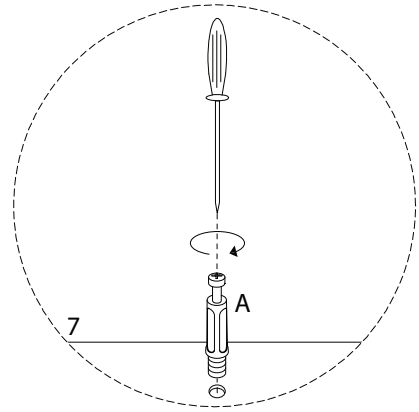
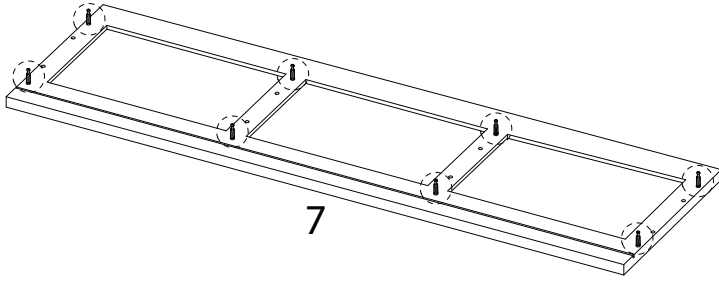
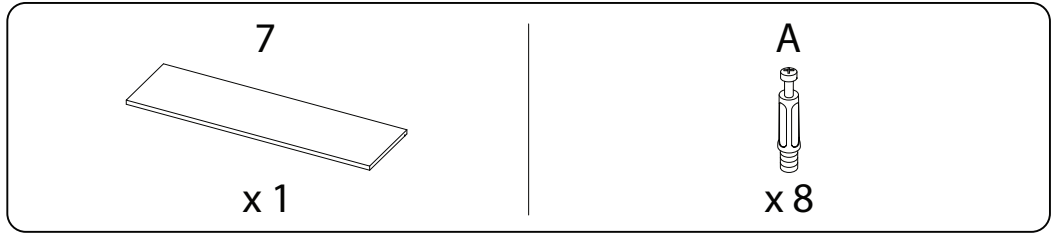
6



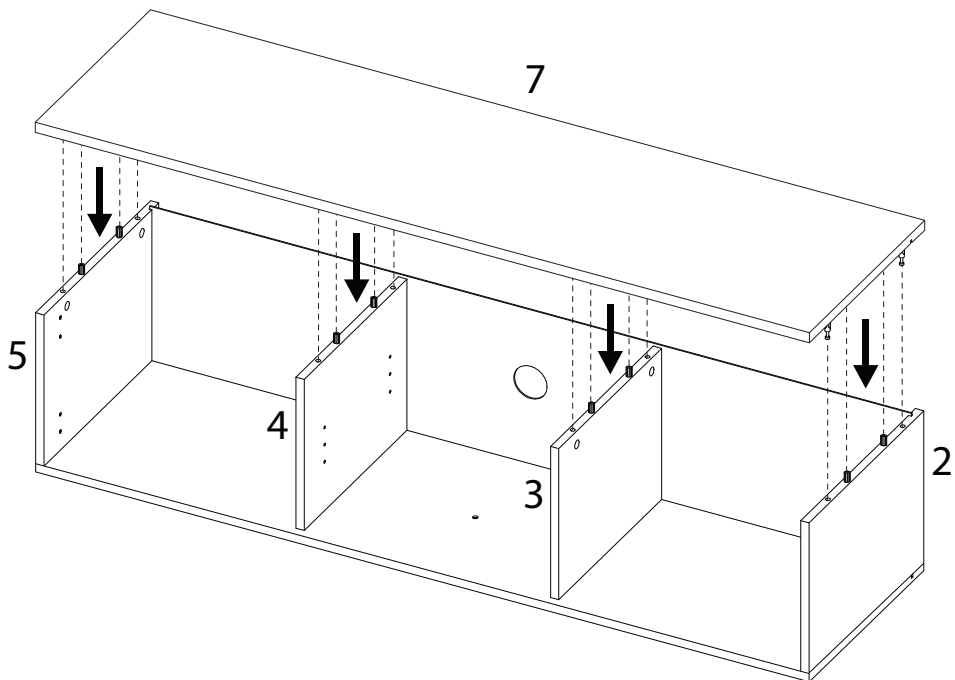
x 1



5



6

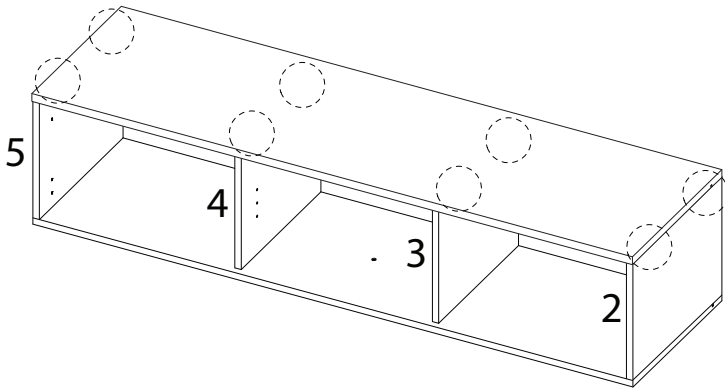


7

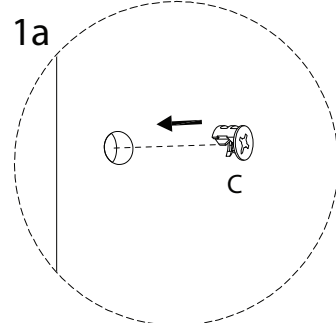
C



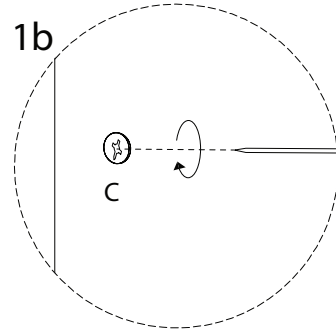
x 8



1a



1b

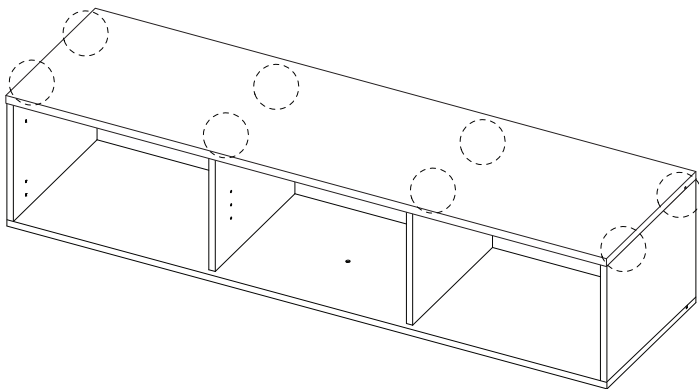


8

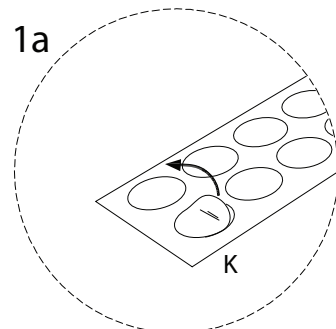
K



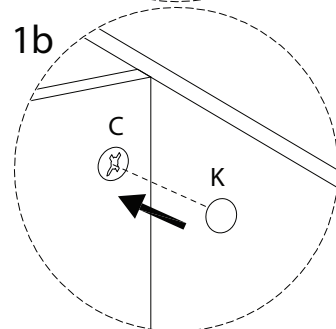
x 8



1a



1b



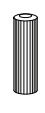
9

8

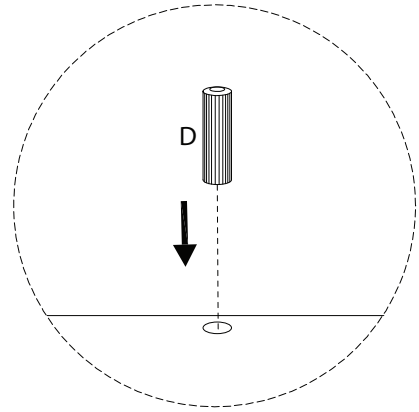
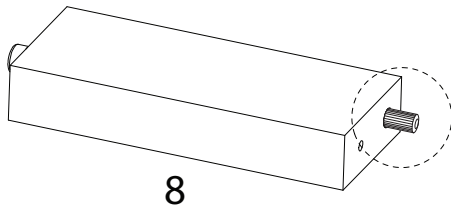


x 1

D

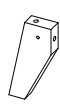


x 1



10 x 2

9



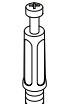
x 1

11

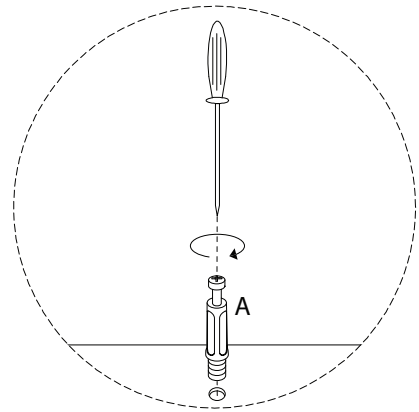
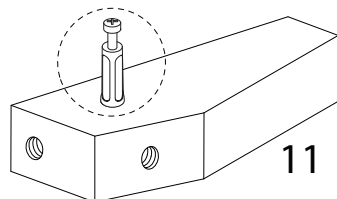
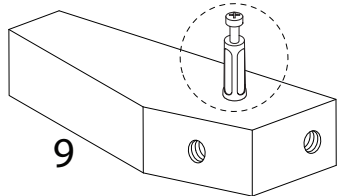


x 1

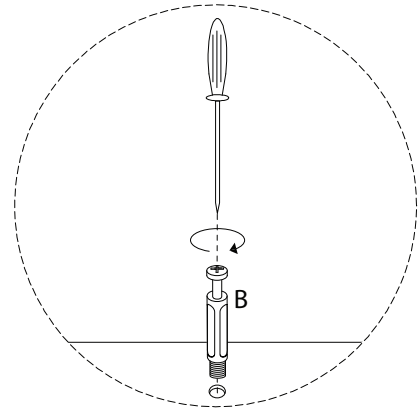
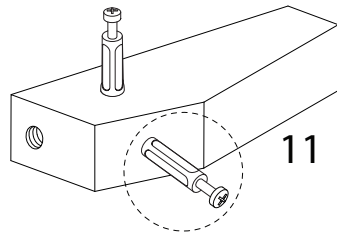
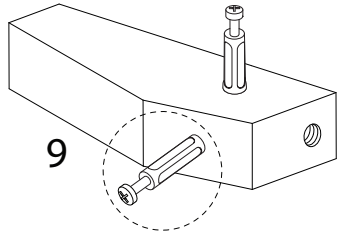
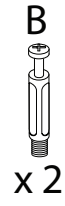
A



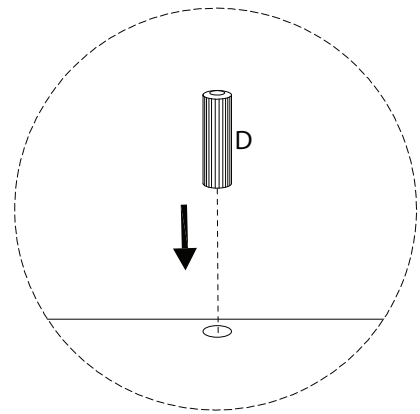
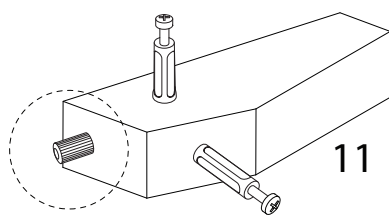
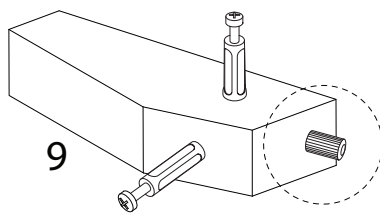
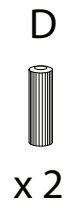
x 2



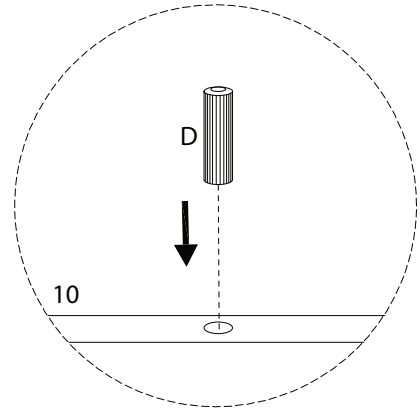
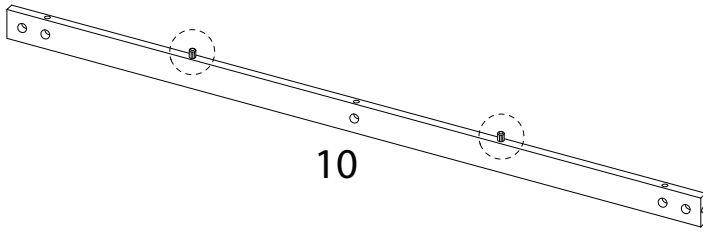
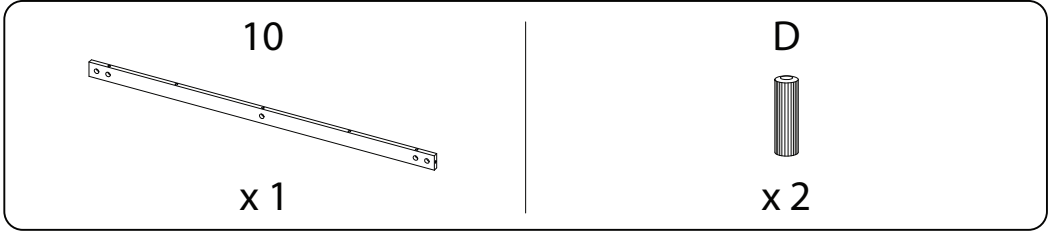
11 x 2



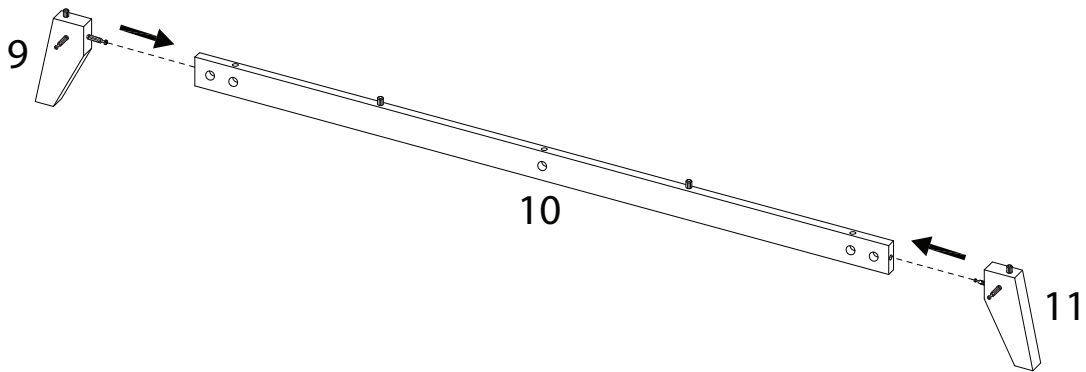
12 x 2



13 x 2



14 x 2

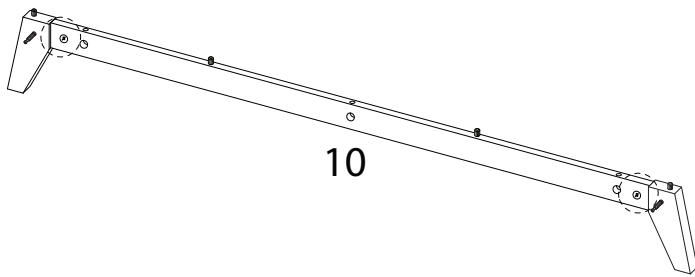


15 x 2

C

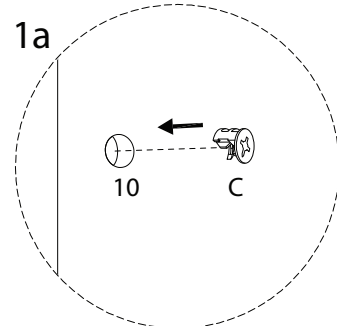


x 2

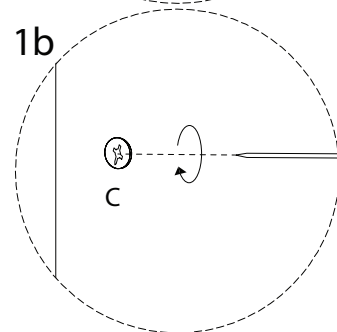


10

1a

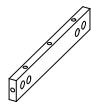


1b



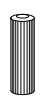
16 x 2

12

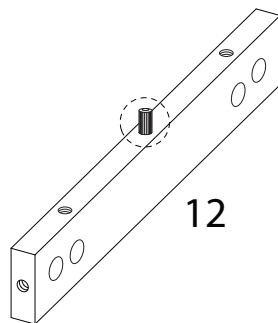


x 1

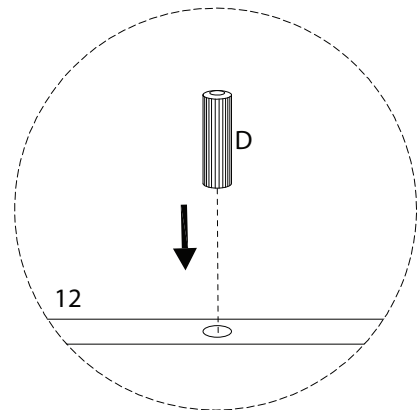
D



x 1

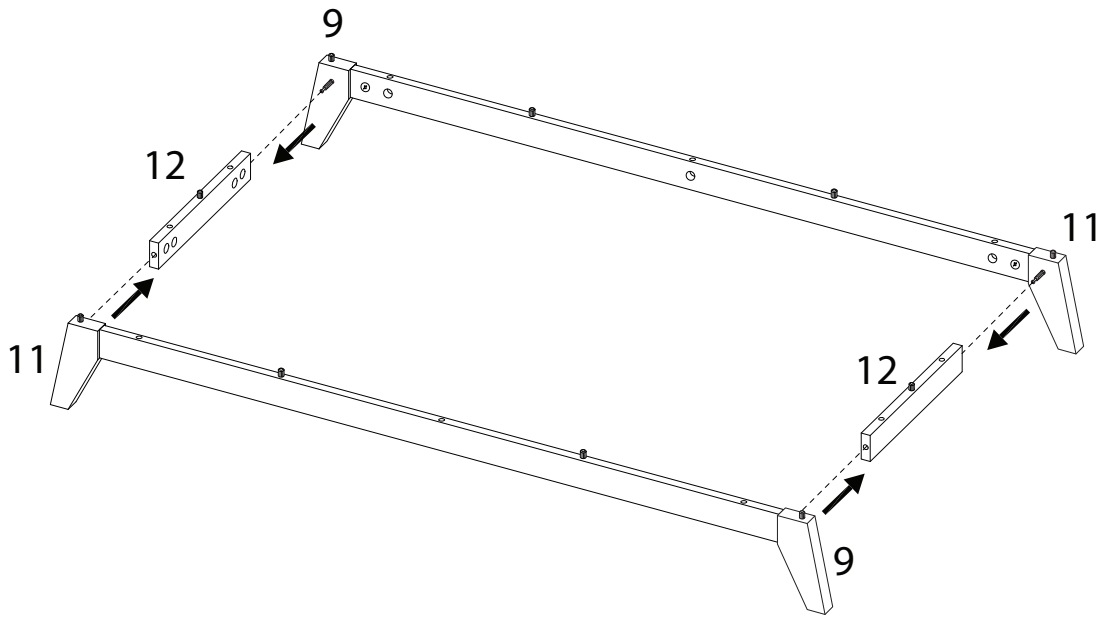


12

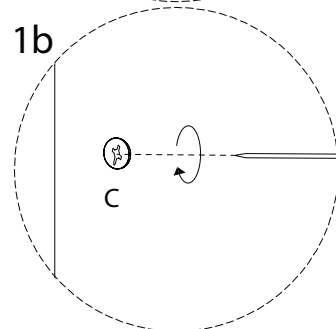
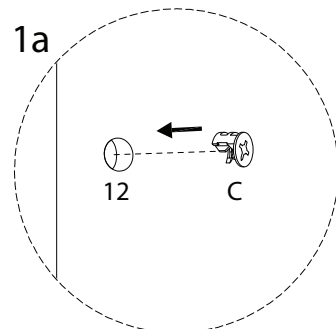
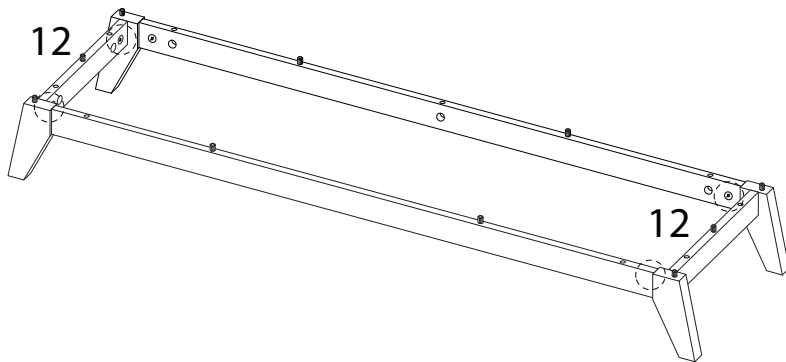
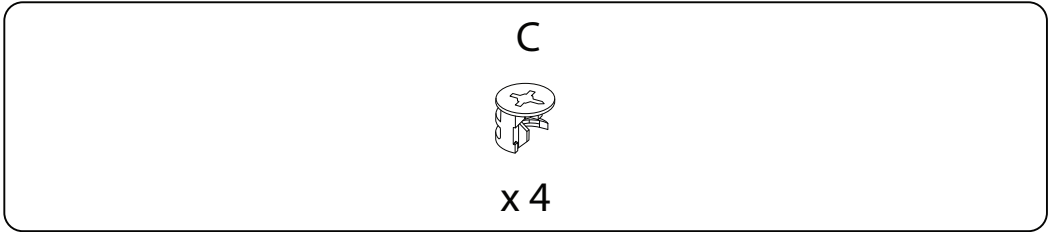


12

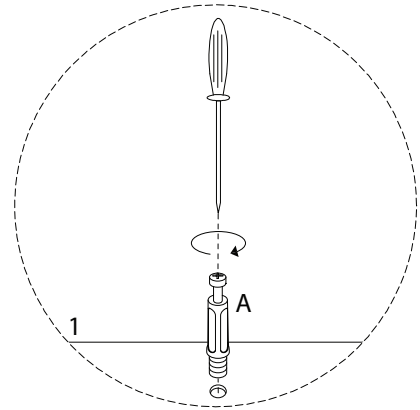
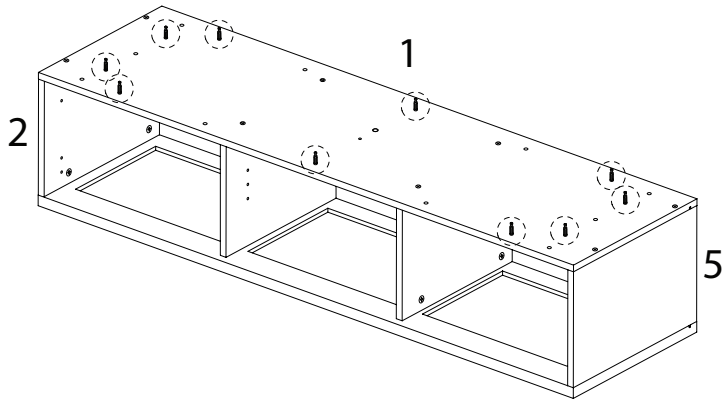
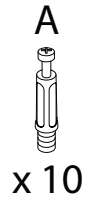
17



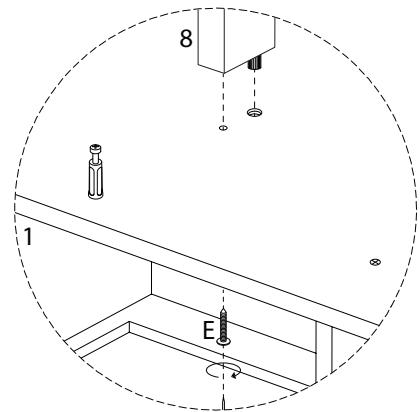
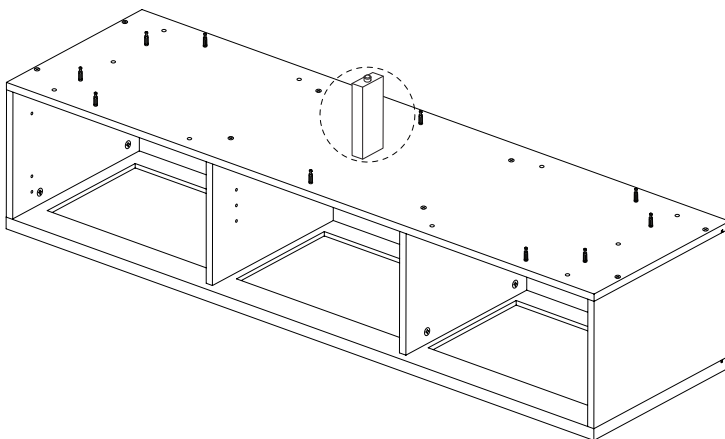
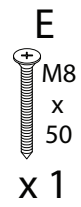
18



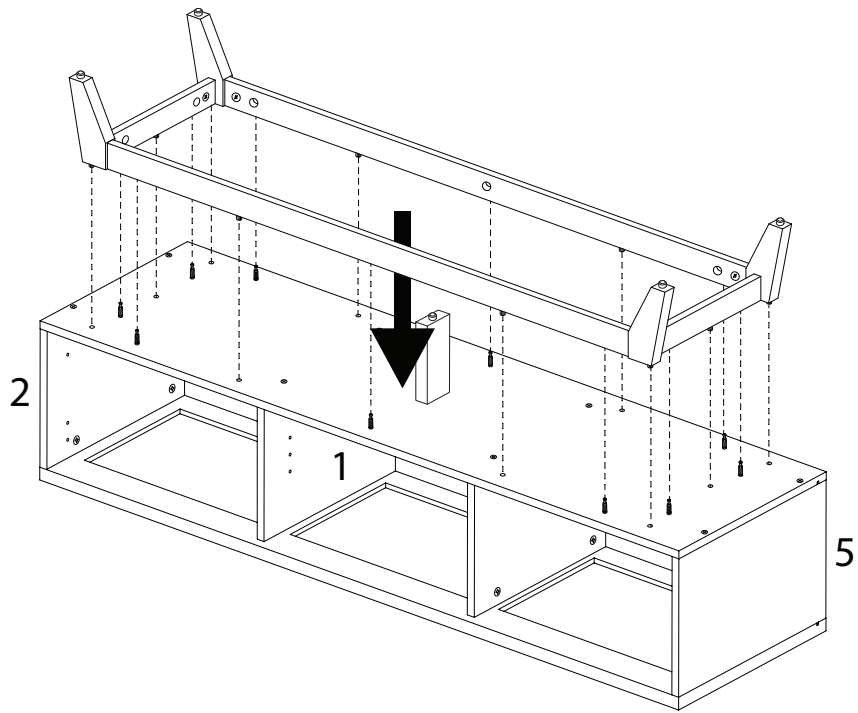
19



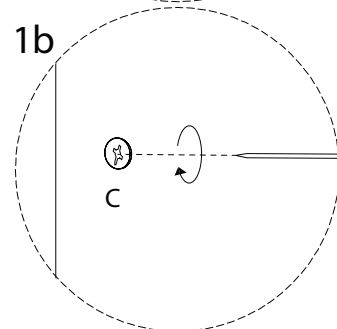
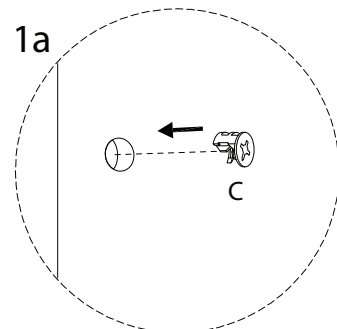
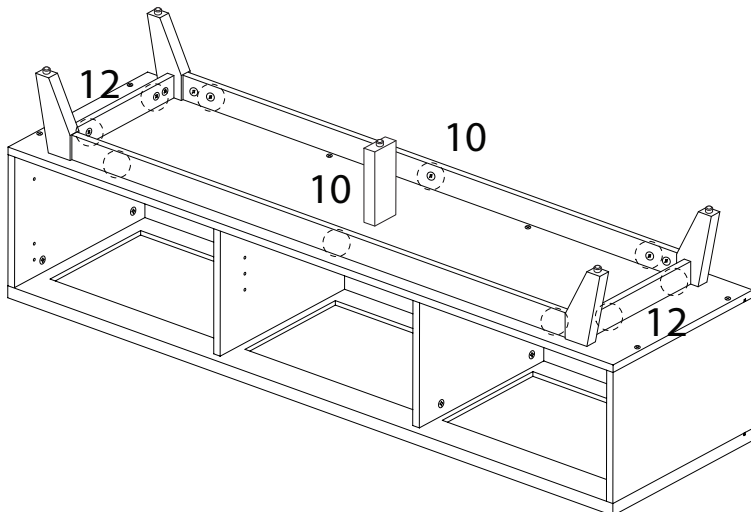
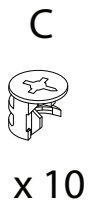
20



21



22



23 x 2

13



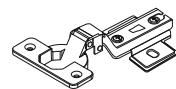
x 1

F

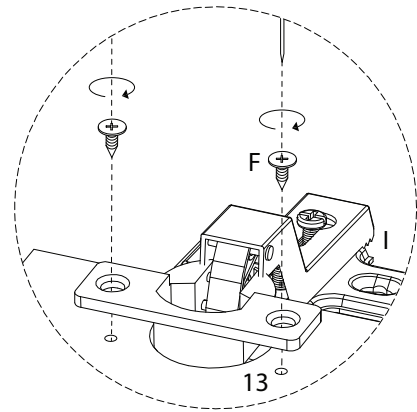
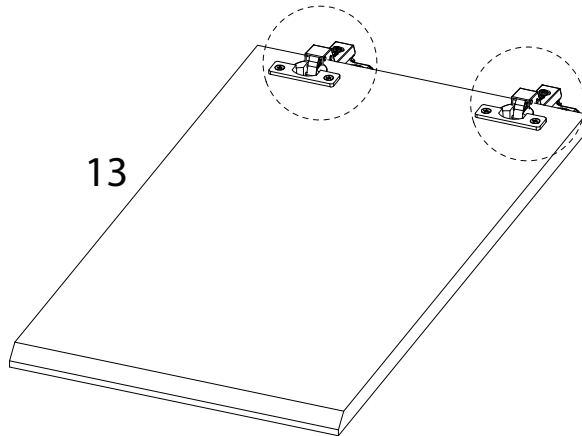


x 4

I



x 2

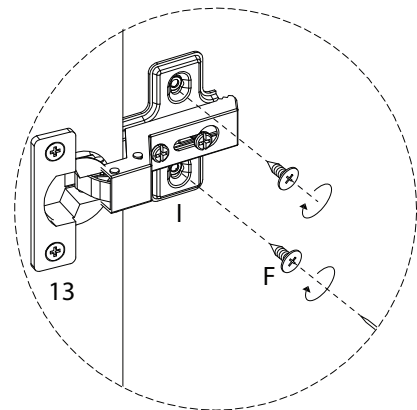
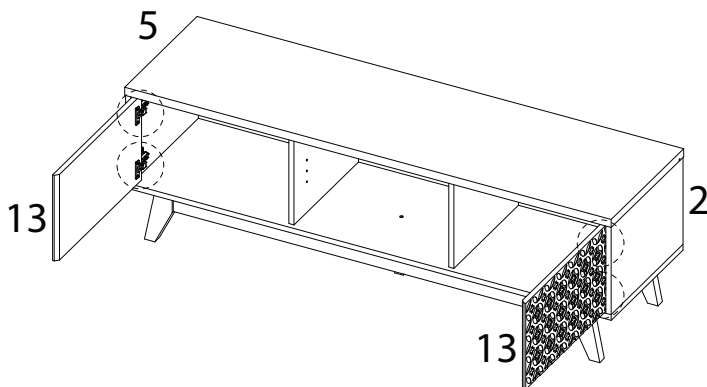


24

F

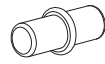


x 8

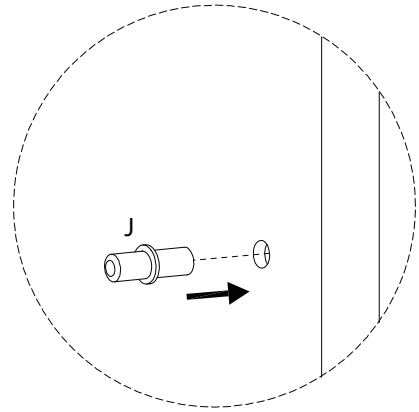
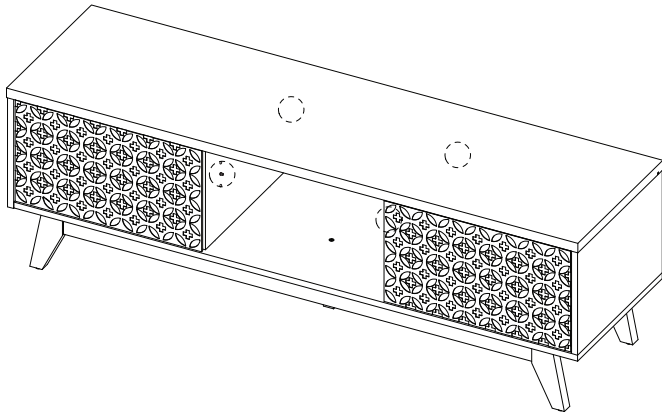


25

J

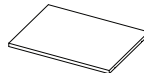


x 4

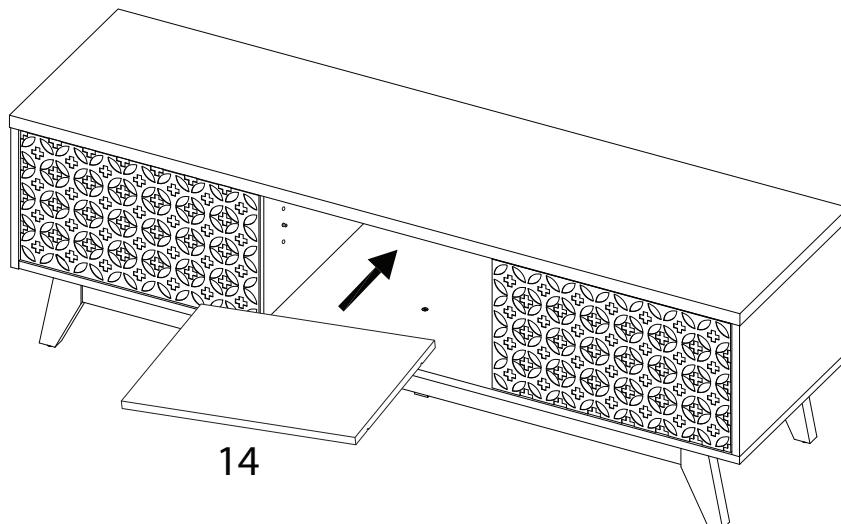


26

14



x 1



27

G

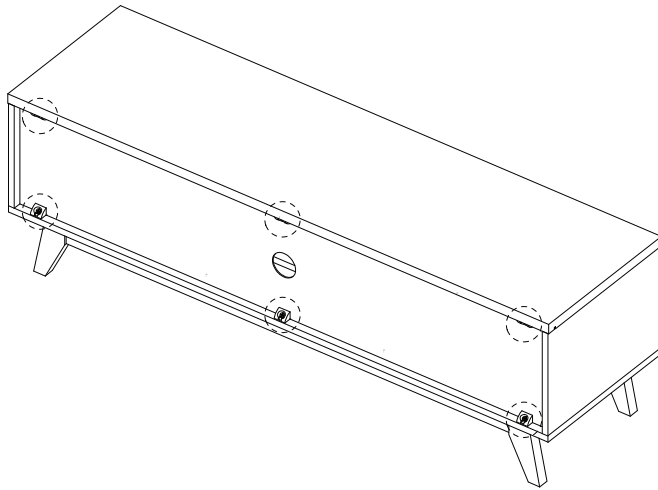


x 6

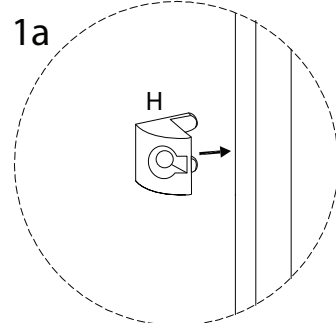
H



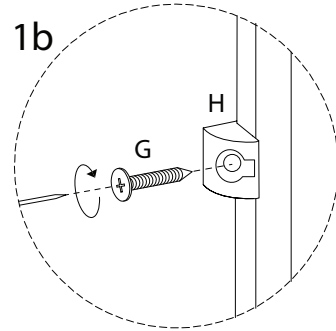
x 6



1a



1b



!

