

# INSTRUCTION SHEET

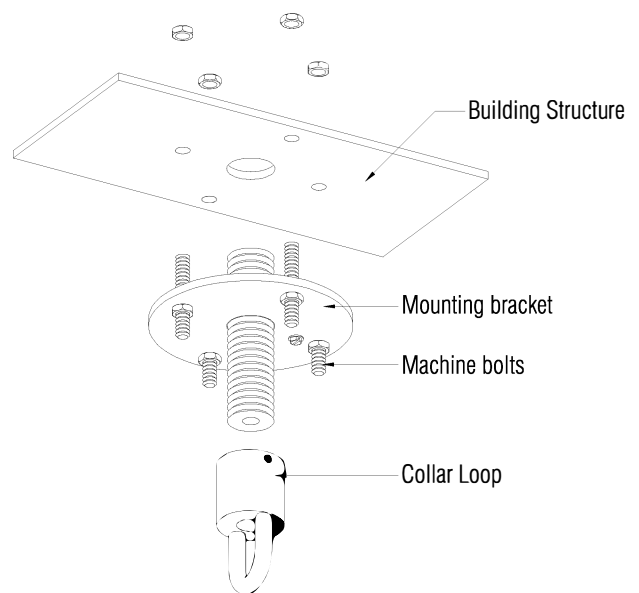
**NOTE:** Please consult a qualified electrician if you are not certain of installation or servicing.

## CAUTION:

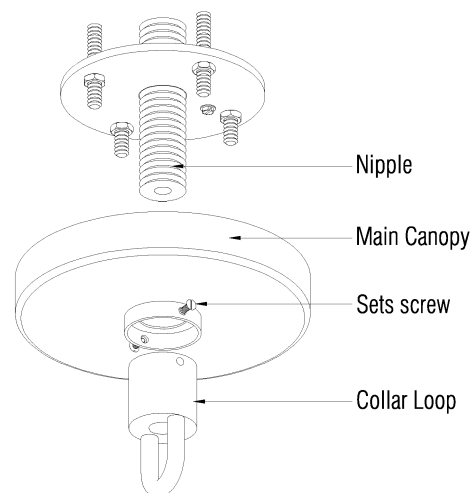
- Before starting installation or servicing, disconnect power by turning off the circuit breaker or by removing the fuse at the fuse box.
- These instructions are provided for your safety. It is very important that they are read carefully and completely before beginning the assembly of this lighting fixture.
- **SAVE THESE INSTRUCTIONS**

## To Assembly:

1. Carefully unpack the fixture, spread out fixture, and lay out all parts on a clean surface.
2. Place Heavy duty mounting bracket(C) on the building structure by using (4pcs) Machine bolts(B) and attach the Collar loop(H) to the Nipple(E). (see fig. 01)
3. Place the Main Canopy(F) over the Collar loop(H) and Nipple(E) all the way to the ceiling and tighten by using (2pcs) sets screw(G) on the Collar loop(H). (see fig. 02)
4. Attach the Quick link(I) on the Collar loop(H) with the Chain(J) and attach Top loop(K) with the Sub-Canopy(L) assembly. (see fig. 03)
5. Attach long Stem hook-A(N) to the Sub-Canopy(L) and attach the 1st tier, making sure sockets(T) are facing down. (see fig. 04).
6. Add small Stem hook-B(R) to 1st tier.



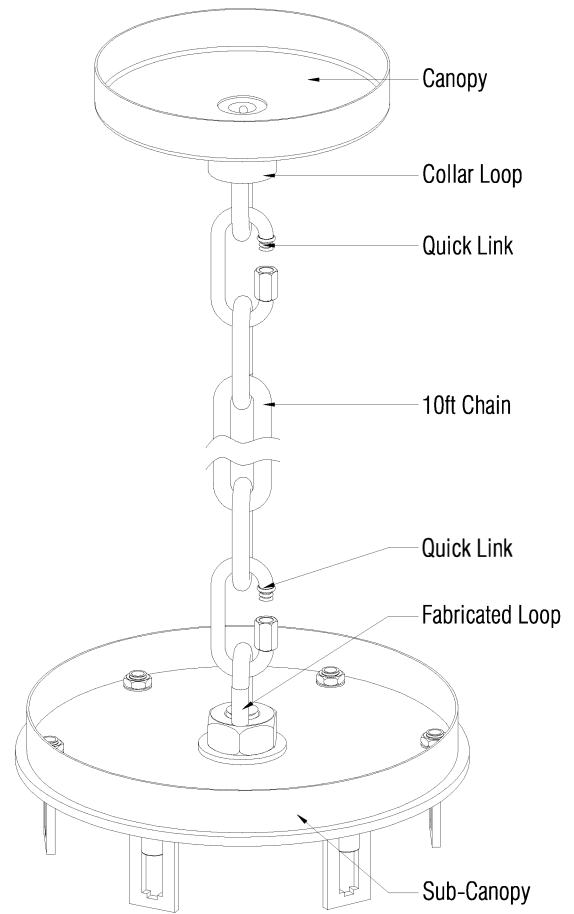
**FIGURE 01**



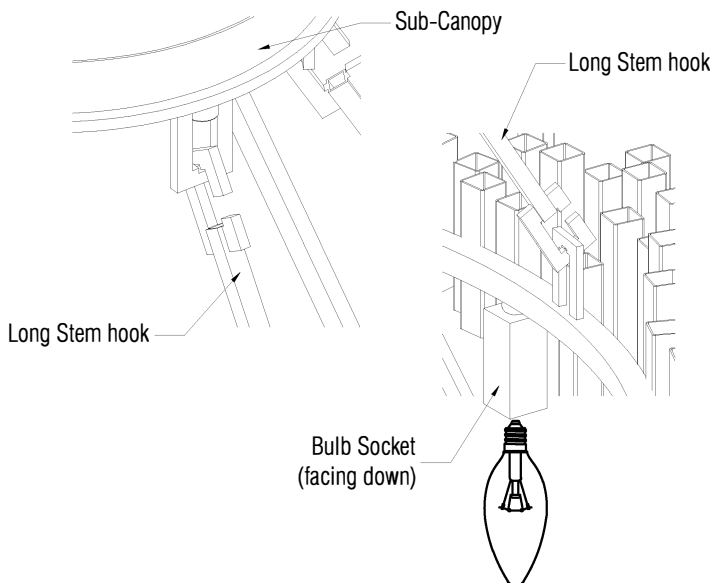
**FIGURE 02**

# INSTRUCTION SHEET

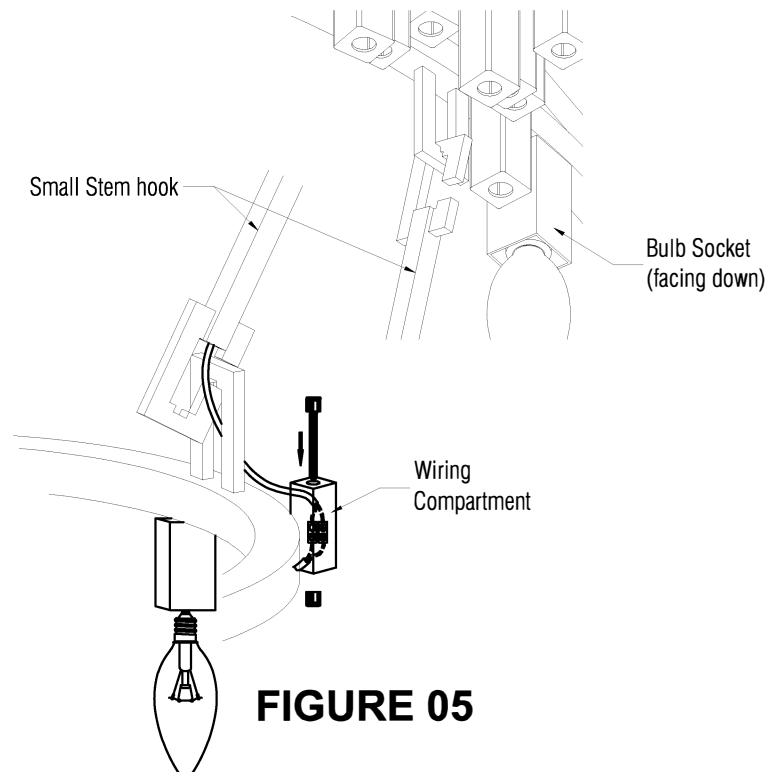
7. Align 2nd tier wiring compartment(S) to wire from 1st tier and attach stem hook-B(R), make sure sockets(T) are facing down. (see fig. 05)
8. Add stem-B(R) to 2nd tier.
9. Align 3rd tier wiring location to connect the wire from 3rd tier and attach stem-B(R), make sure sockets(T) are facing down. (see fig. 05)
10. Insert safety cable through center pipe(O), and connect pipes to each other using nipples.
11. Insert safety cable through mid canopy(L) and attach center pipe(O) to canopy. (see fig. 06)
12. String safety cable and wire up to the ceiling. Attach safety cable to the house and attach wires to house supplied wires. (see fig. 07)
13. Install bulbs 19 x 25W max. type B bulbs.
14. Turn ON power



**FIGURE 03**

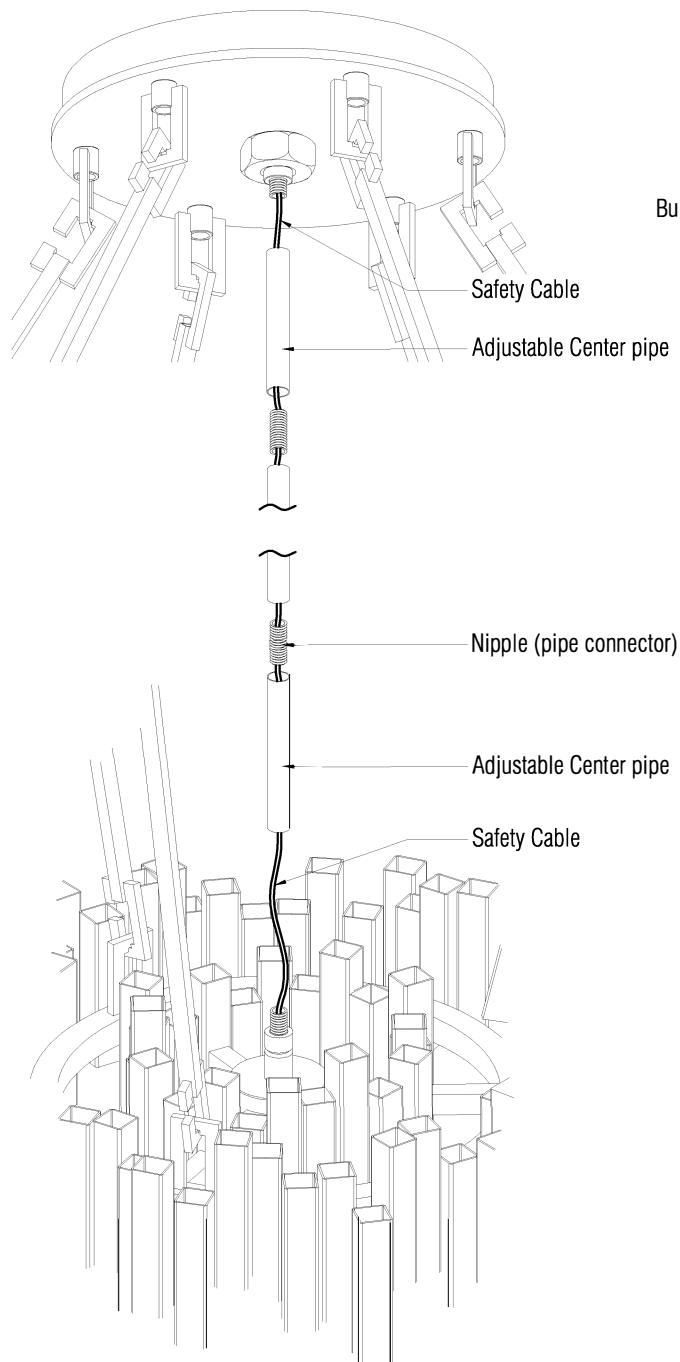


**FIGURE 04**

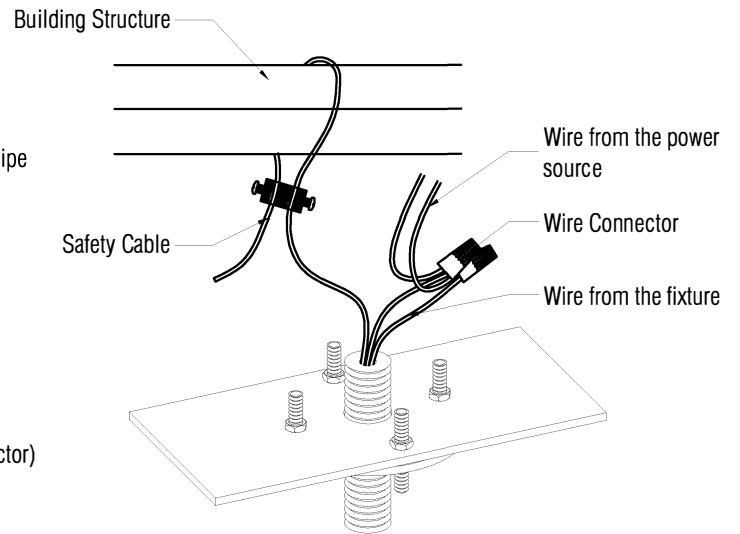


**FIGURE 05**

# INSTRUCTION SHEET



**FIGURE 06**



**FIGURE 06**

## Enclosed Parts:

- |                     |                 |                                |
|---------------------|-----------------|--------------------------------|
| A. Wire Nuts        | B. Machine Bolt | C. Heavy duty Mounting Bracket |
| D. Ground Screw     | E. Nipple       | F. Canopy                      |
| G. Set Screw        | H. Collar Loop  | I. Quick Link                  |
| J. Chain            | K. Top Loop     | L. Sub-Canopy                  |
| M. Loop             | N. Stem hook(A) | O. Center Pipe                 |
| P. Crystal rods     | Q. Bulb         | R. Stem hook(B)                |
| S. Wire Compartment | T. Bulb Socket  |                                |

# INSTRUCTION SHEET

