

ASSEMBLY INSTRUCTIONS

Model No.: JK101-115N

Tools required:



Wrench



Pliers



Wire Cutters

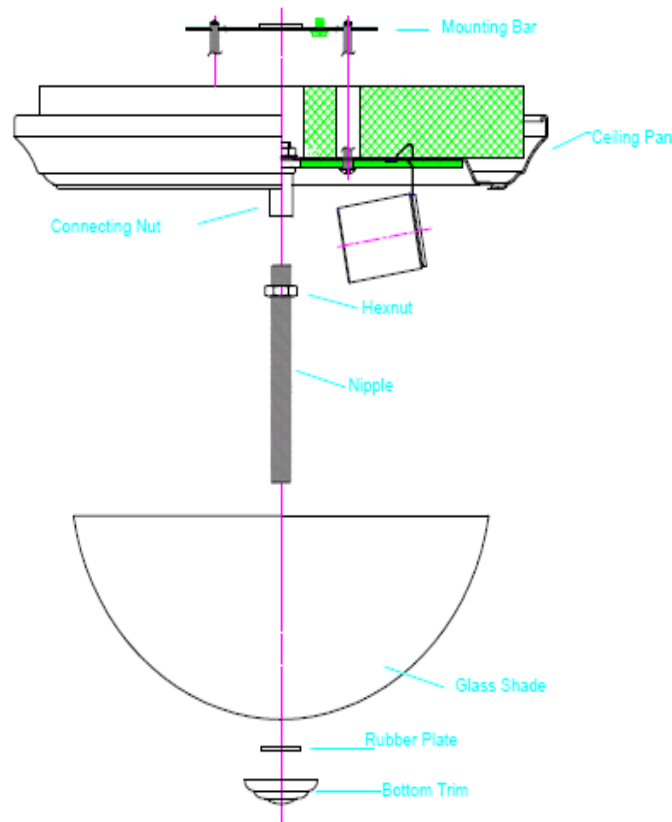


Phillips Screwdriver

SAFETY PRECAUTIONS:

1. Turn off power at main electrical service box before starting installation.
2. Electrical connections must comply with local code ordinances or national electrical codes.

INSTALLATION:



ASSEMBLY PROCEDURES:

- 1) Screw the Nipple into the Connecting Nut of Ceiling Pan and fix it with Hexnut tightly.
- 2) Install Bulbs
- 3) Put the Rubber Plate and the Glass Shade through the Nipple and then secure them by Bottom Trim in place.