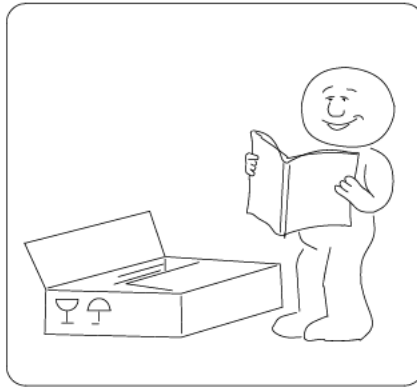
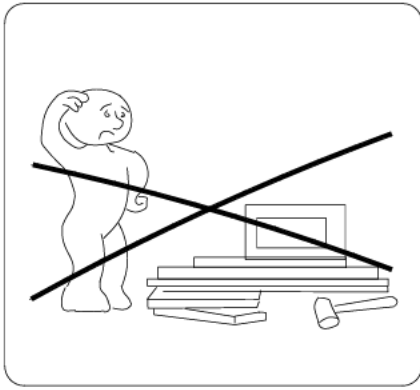


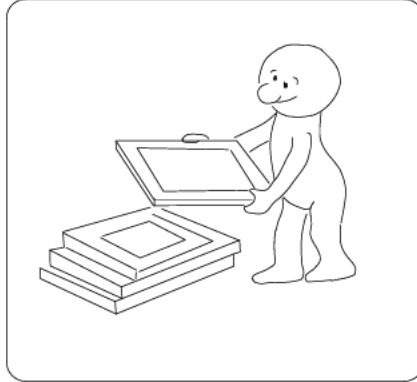
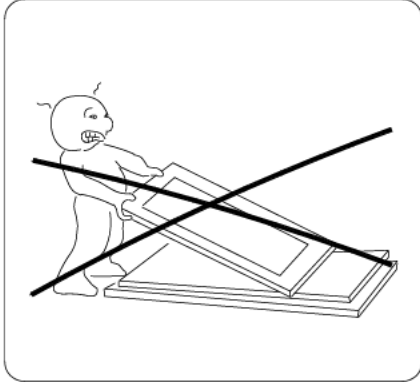
ASSEMBLY AND CARE INSTRUCTION

Bunk Cat Bed



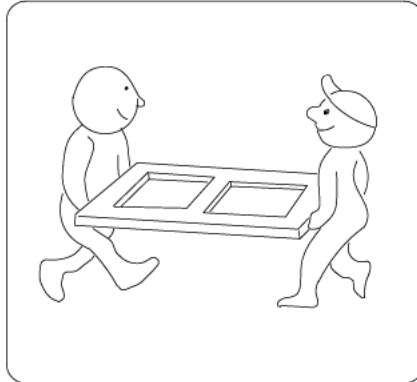
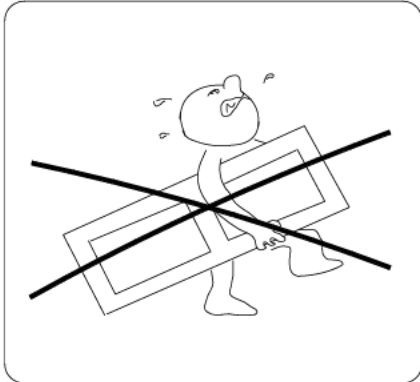
! WARNING !

1. PLEASE READ ALL INSTRUCTIONS CAREFULLY BEFORE STARTING ASSEMBLY.
2. DO NOT LET ANY SHARP OBJECTS TOUCH OR RUB THE SURFACE OF THE PRODUCT.
3. WHEN ASSEMBLING, DO NOT LET CHILDREN PLAY AROUND THE WORKING AREA.
4. PLEASE CONFIRM ALL PARTS ARE CORRECT BEFORE STARTING THE ASSEMBLY PROCESS.
5. DO NOT TIGHTEN ALL BOLTS AND SCREWS COMPLETELY UNTIL THE ENTIRE UNIT HAS BEEN ASSEMBLED AND SET UP.

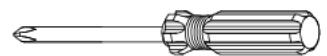
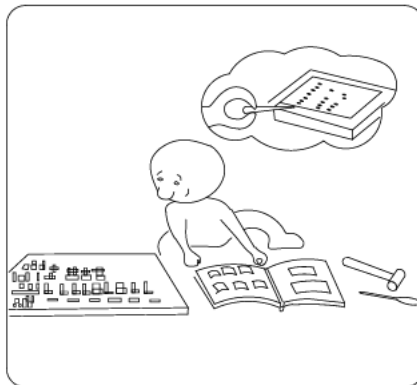
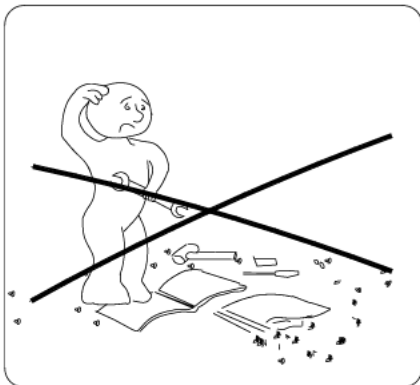


ADVISE

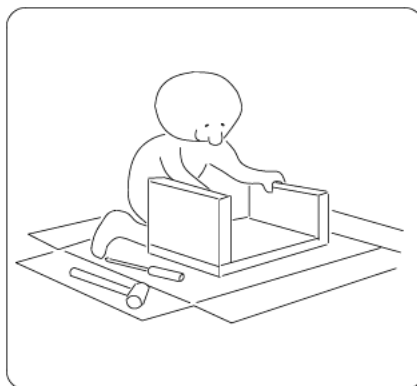
1. DO NOT SIT OR STAND ON THIS PRODUCT. IT IS INTENDED FOR PETS ONLY.
2. THIS PRODUCT SHOULD BE ASSEMBLED BY AN ADULT.
3. PLEASE PUT THE PRODUCT ON A SMOOTH SURFACE AFTER YOU ASSEMBLED IT.
4. PLACE ALL PARTS ON A CLEAN AND SMOOTH SURFACE SUCH AS A RUG OR CARPET TO AVOID THE PARTS FROM BEING SCRATCHED.
5. THE SCREW OF HINGE ON THE DOOR ALSO CAN BE ADJUSTABLE, TO MAKE IT EVEN THEN TIGHTEN ALL SCREWS.



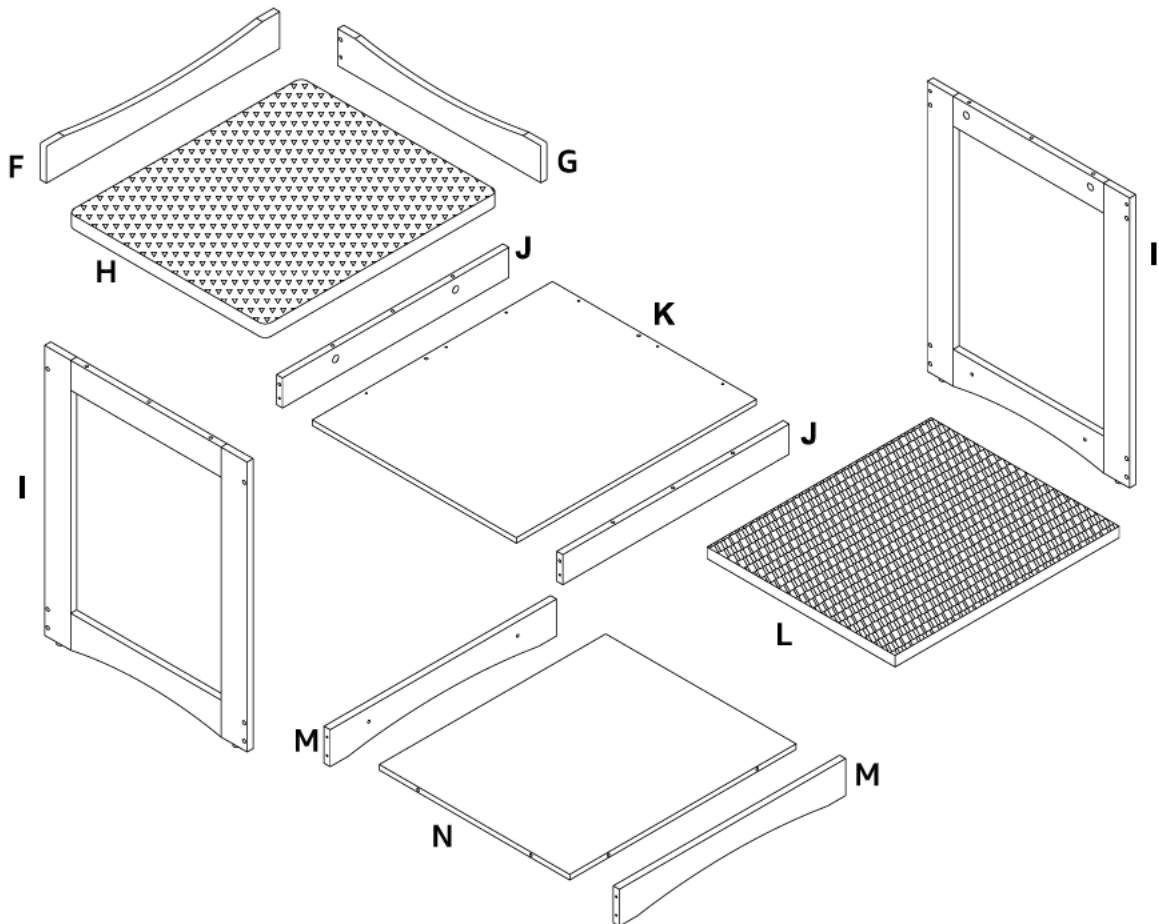
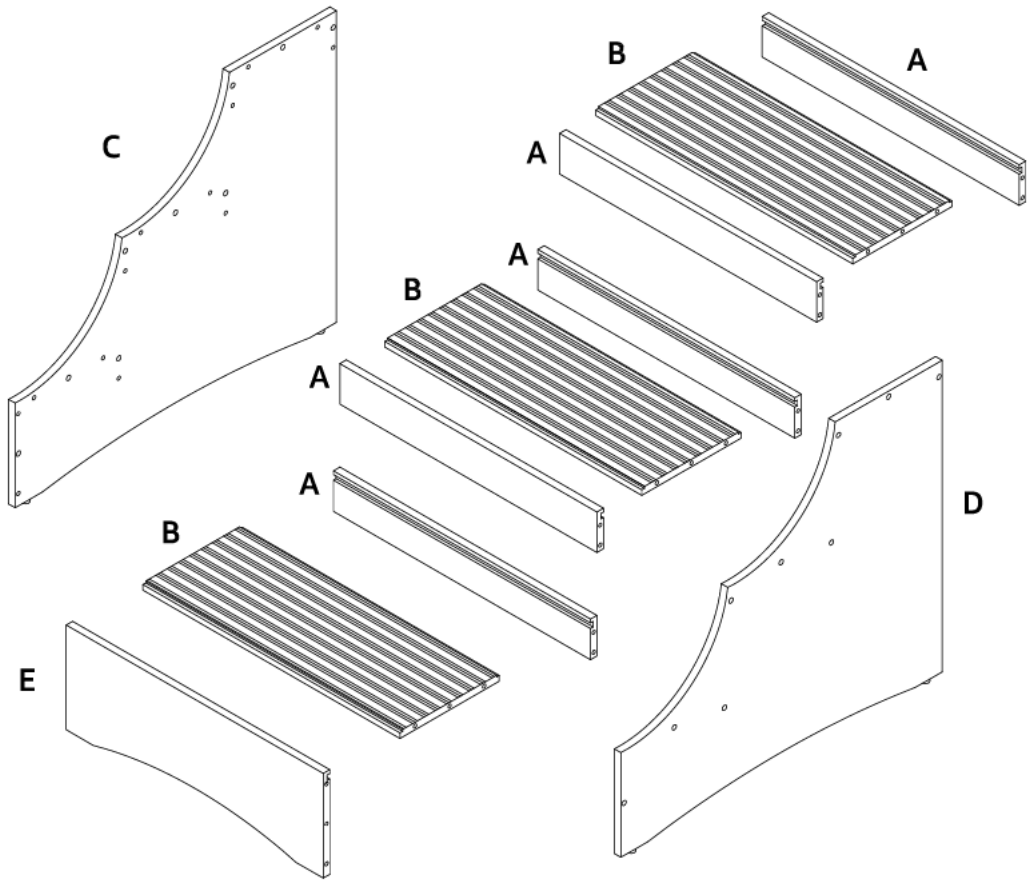
TOOL NEEDED



**SCREWDRIVER REQUIRED
- NOT INCLUDED**

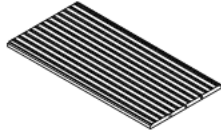


PARTS





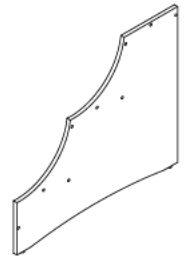
A
Support Bar #1
x5



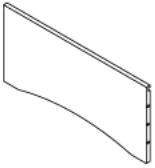
B
Shelf
x3



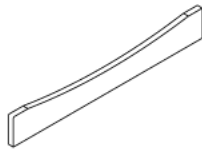
C
Left Side Panel
x1



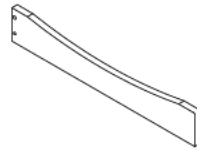
D
Right Side Panel
x1



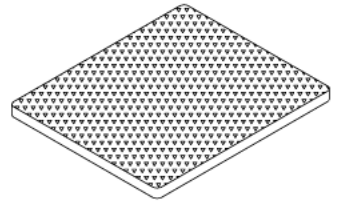
E
Front Panel
x1



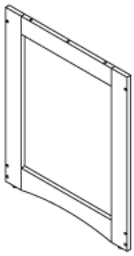
F
Upper Long Apron
x1



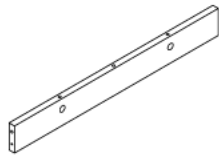
G
Upper Side Apron
x1



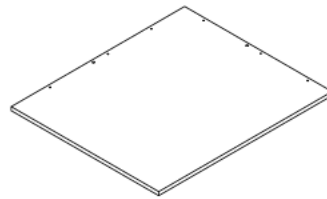
H
Cushion
x1



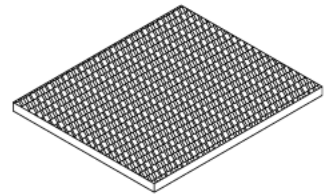
I
Side Frame
x2



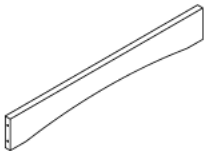
J
Support Bar #2
x2



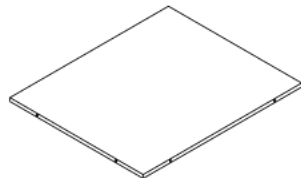
K
Top Panel
x1



L
Cat Scratch Pad
x1



M
Bottom Side Apron
x2



N
Bottom Panel
x1

HARDWARE



1
x 46 pcs



2
x 8 pcs



3
x 8 pcs



4
x 31 pcs



5
x 1 pc



6
x 6 pcs

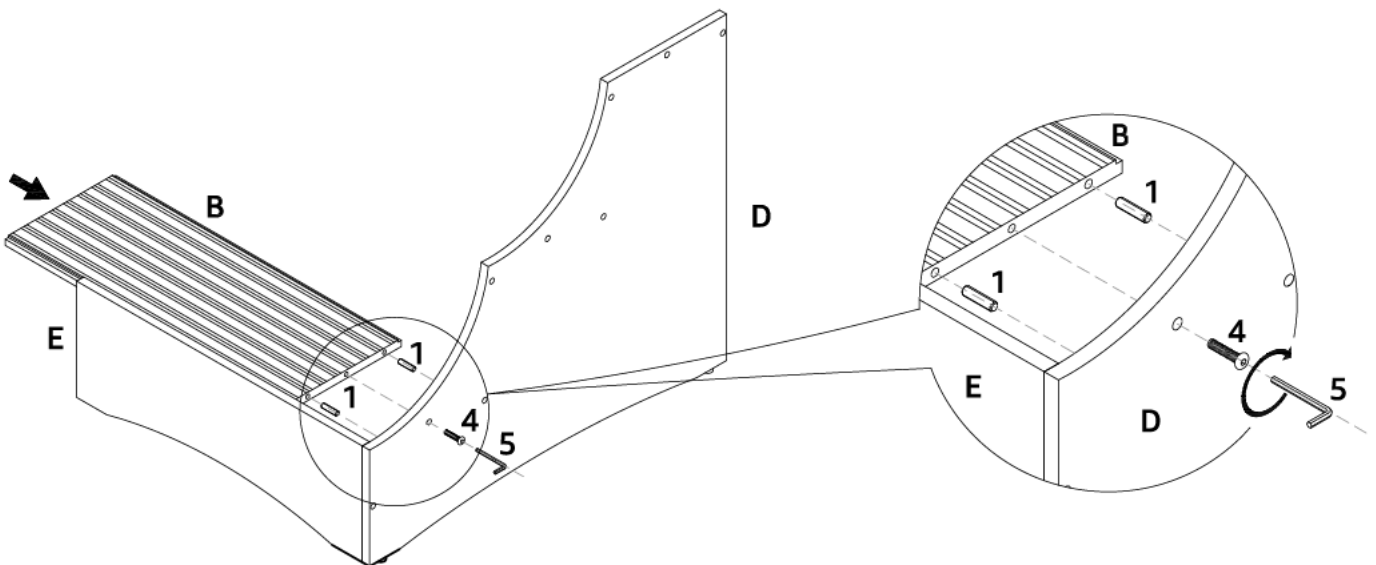
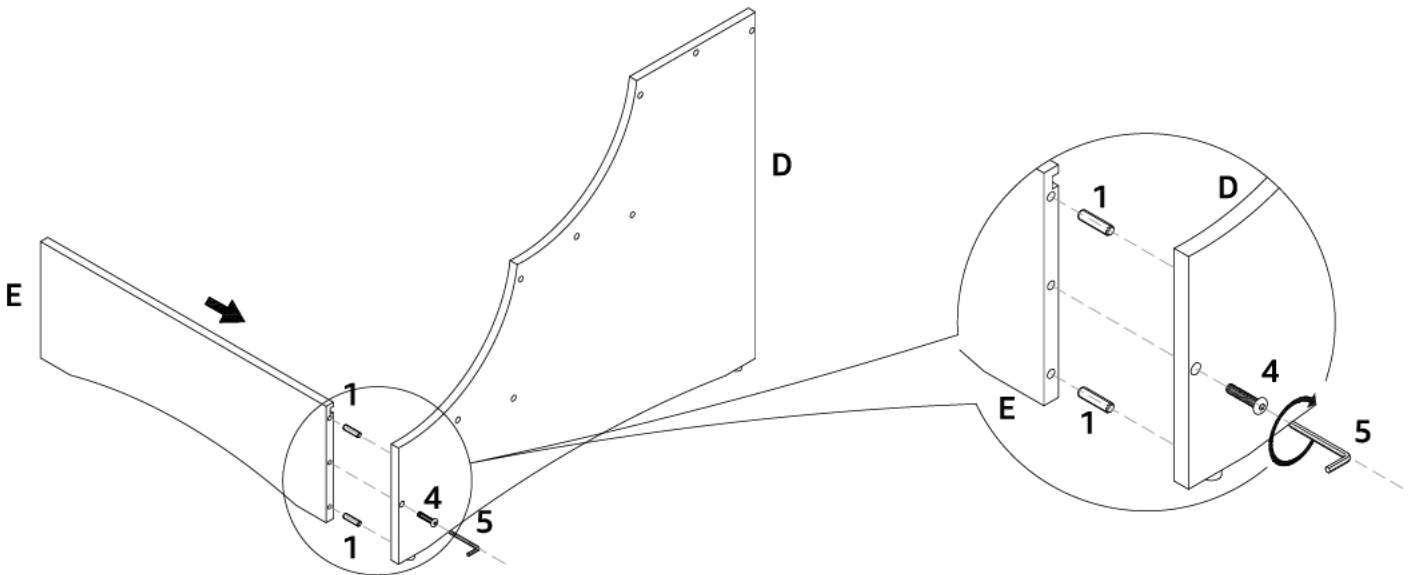
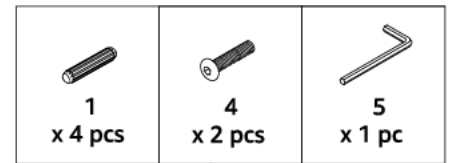
ASSEMBLY INSTRUCTIONS

1

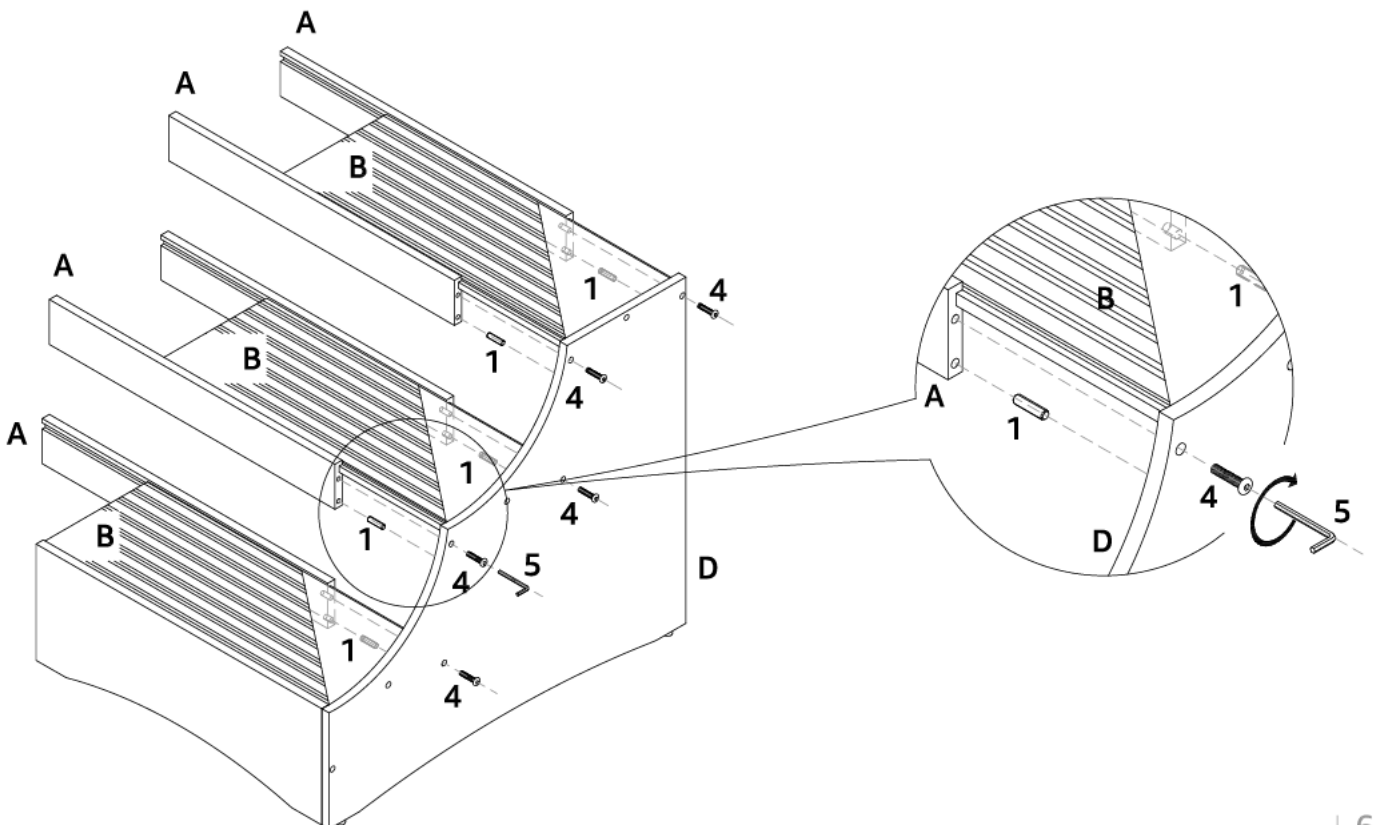
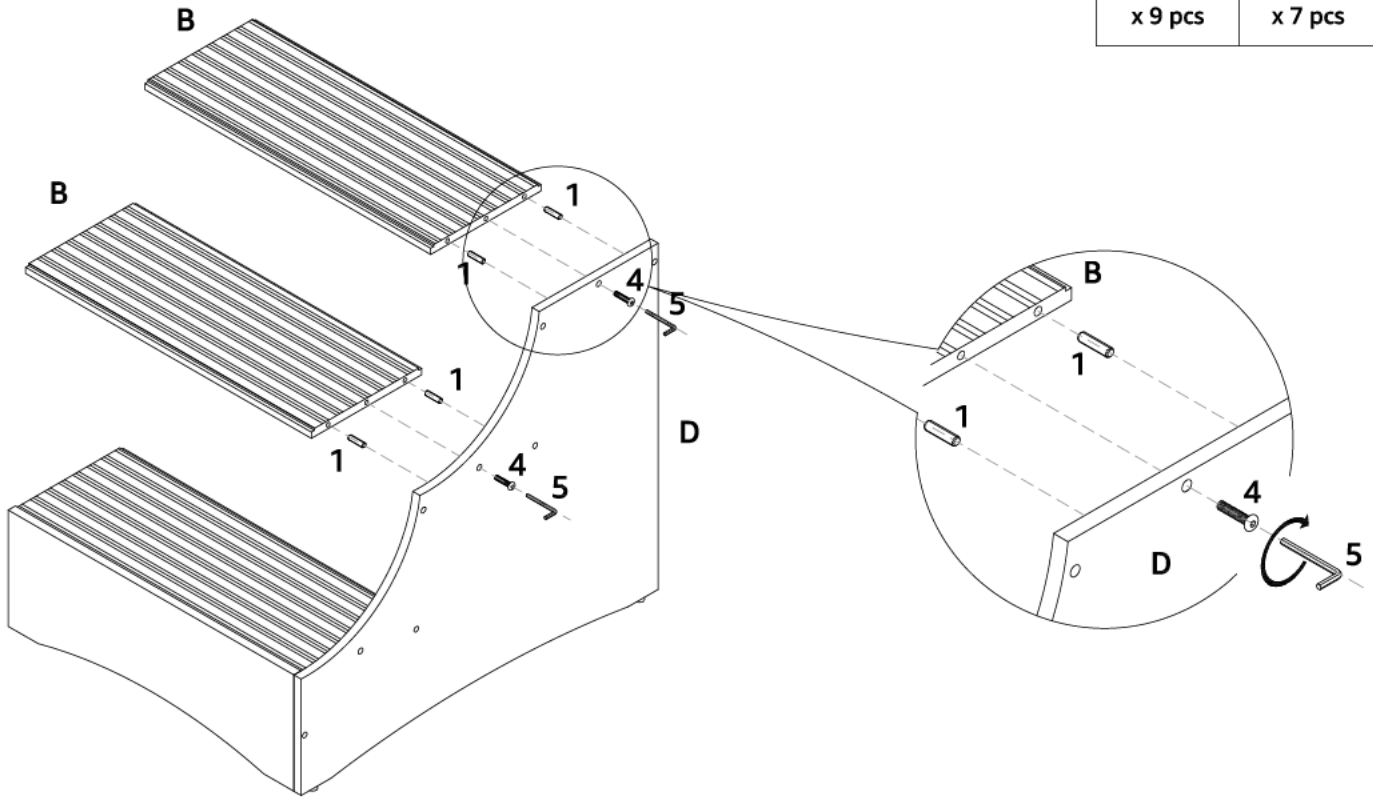
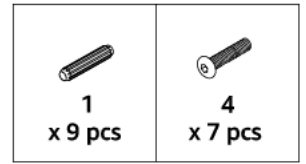
Insert wooden dowel 1 into the front panel E and the shelf B.

Connect the front panel E to the right side panel D, tighten bolt 4 by Allen Wrench 5.

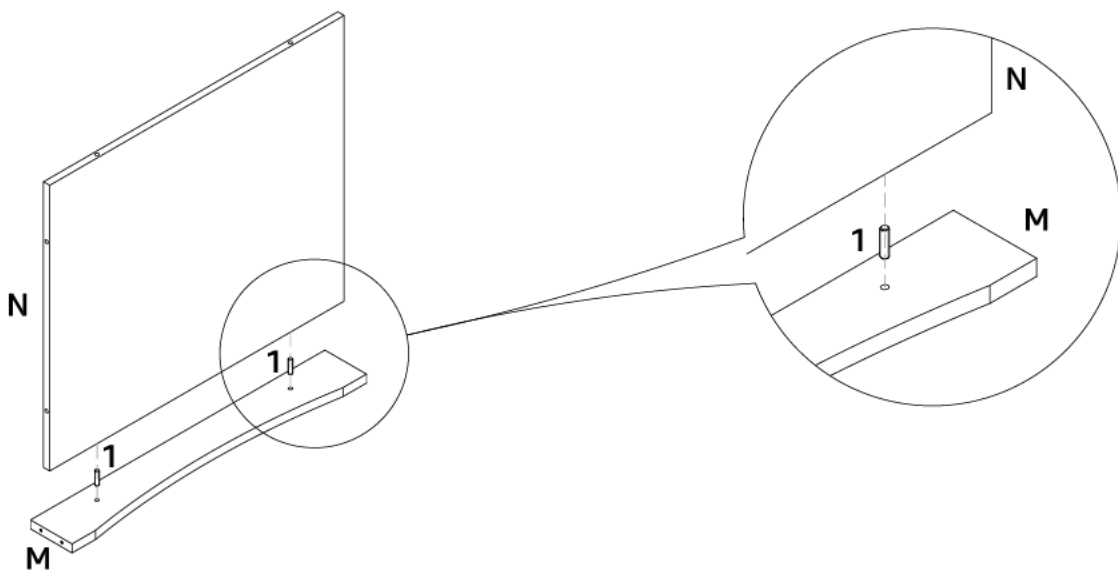
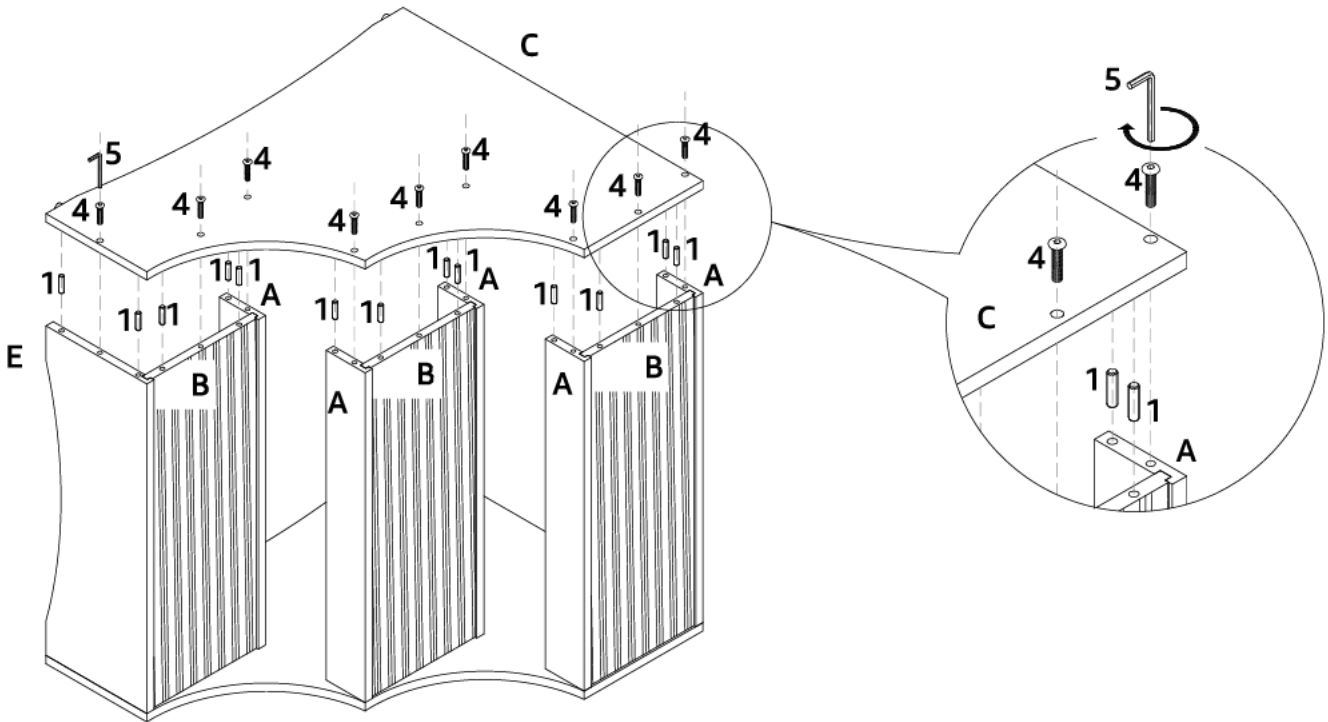
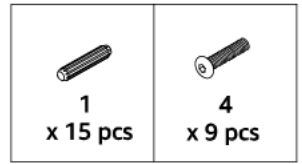
Insert the shelf B into the front panel E, then connect shelf B to the right side panel D, tighten bolt 4 by Allen Wrench 5.



- 2** Insert wooden dowel 1 into the shelf B, then connect the shelf B to the right side panel D, tighten bolt 4 by Allen Wrench 5.
 Insert wooden dowel 1 into the support bar #1 A.
 Insert the support bar #1 A into the shelf B, tighten bolt 4 by Allen Wrench 5.

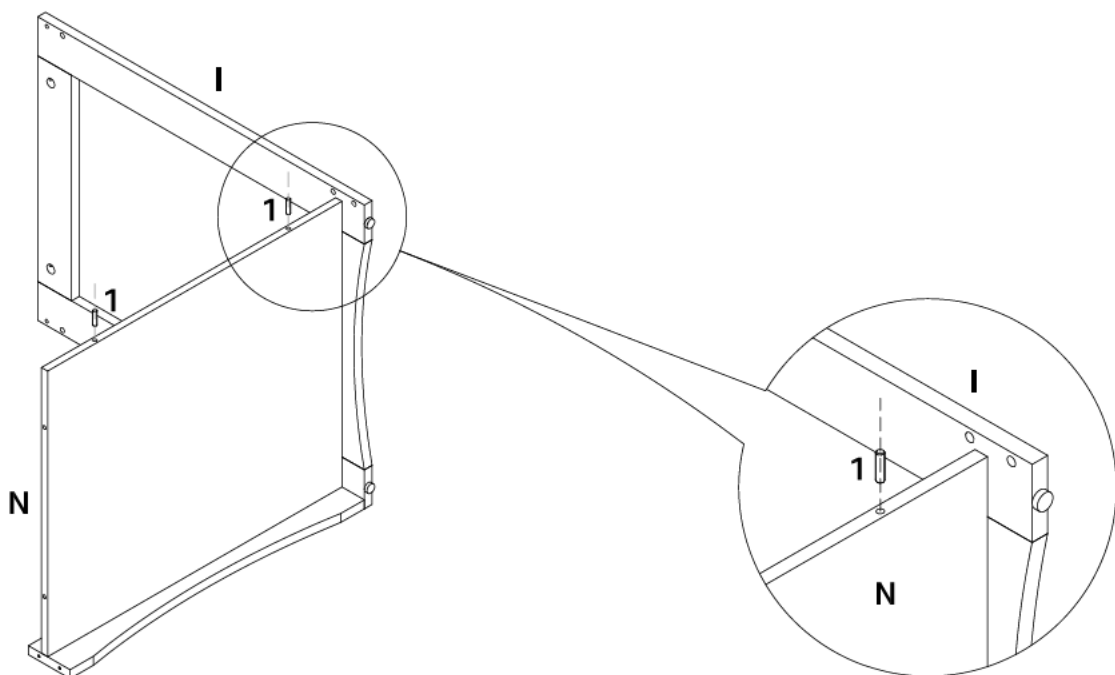
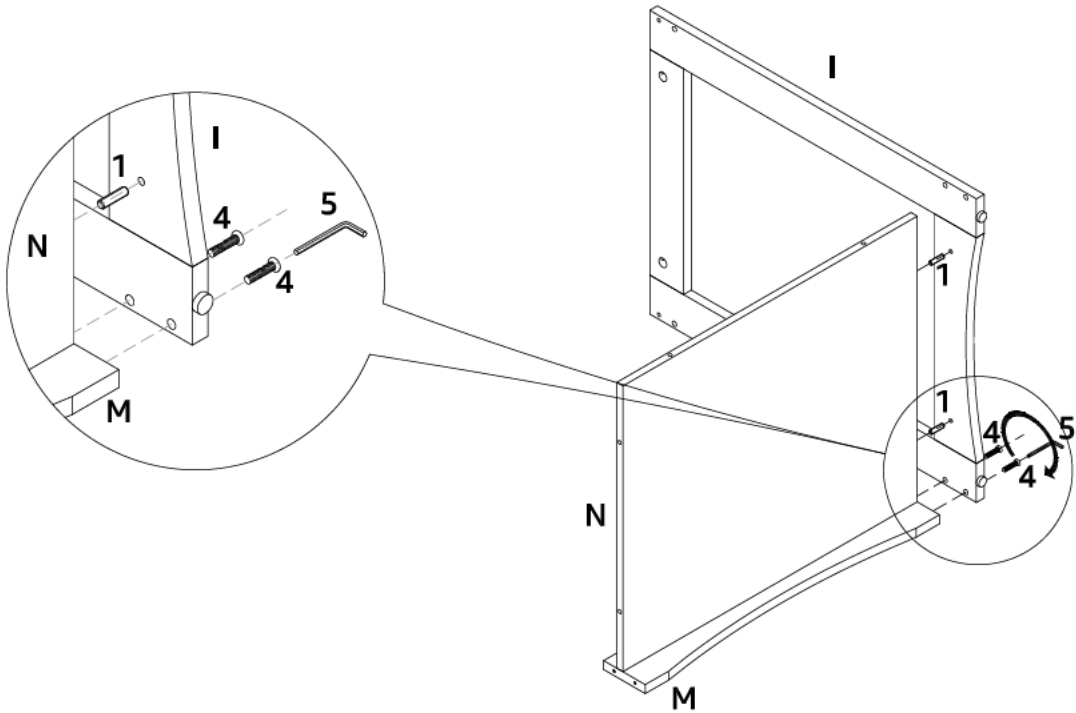
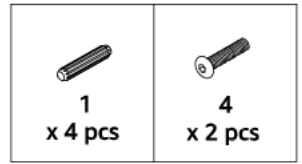


- 3** Insert wooden dowel 1 into the support bar #1 A, shelf B and front panel E.
Input the left side panel C to the body, tighten bolt 4 by Allen Wrench 5.
Connect the bottom side apron M to the bottom panel N by wooden dowel 1.

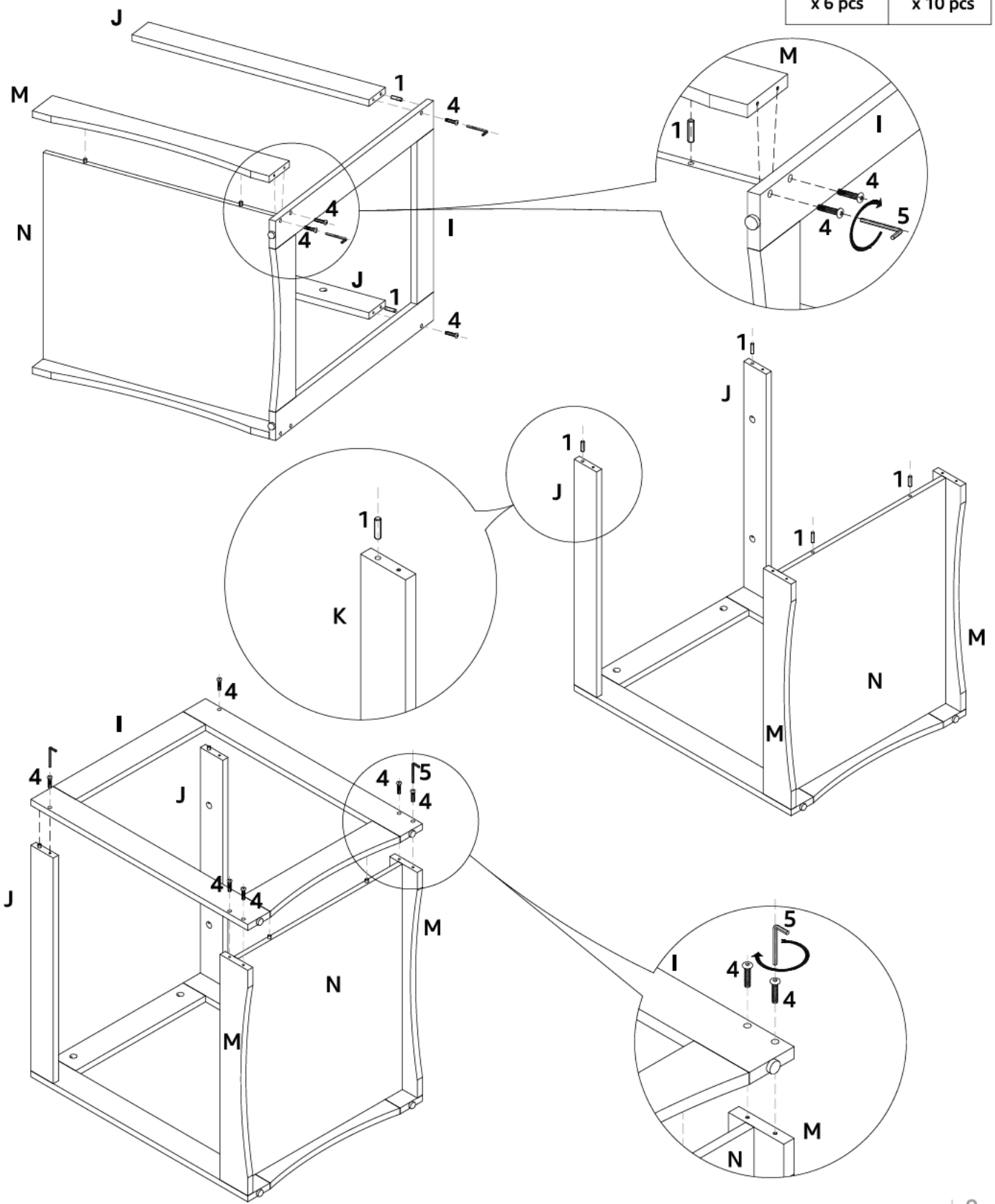
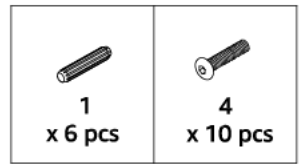


4

Insert wooden dowel 1 into the bottom panel N and connect the side frame I to the bottom side apron M & the bottom panel N, tighten bolt 4 by Allen Wrench 5. Insert wooden dowel 1 into the bottom panel N.







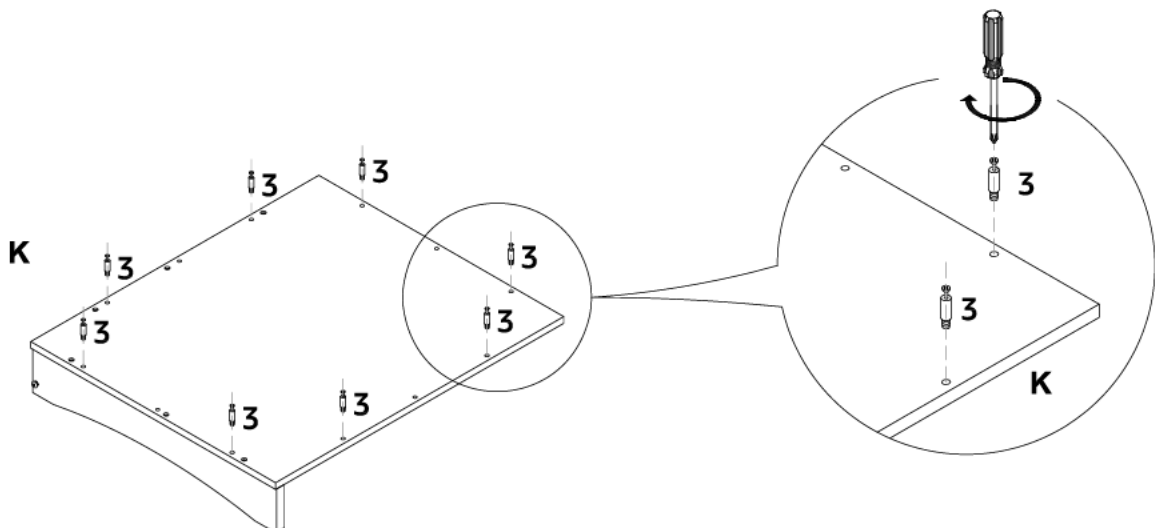
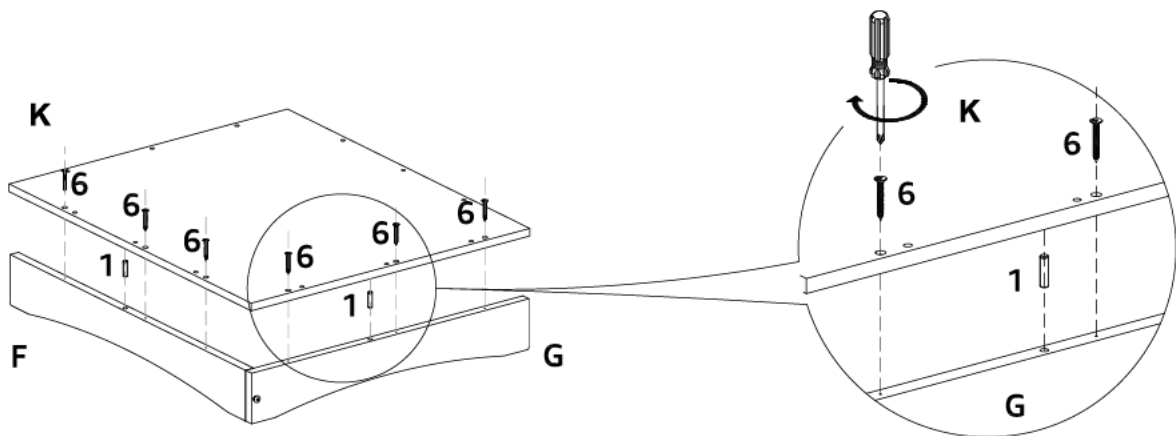
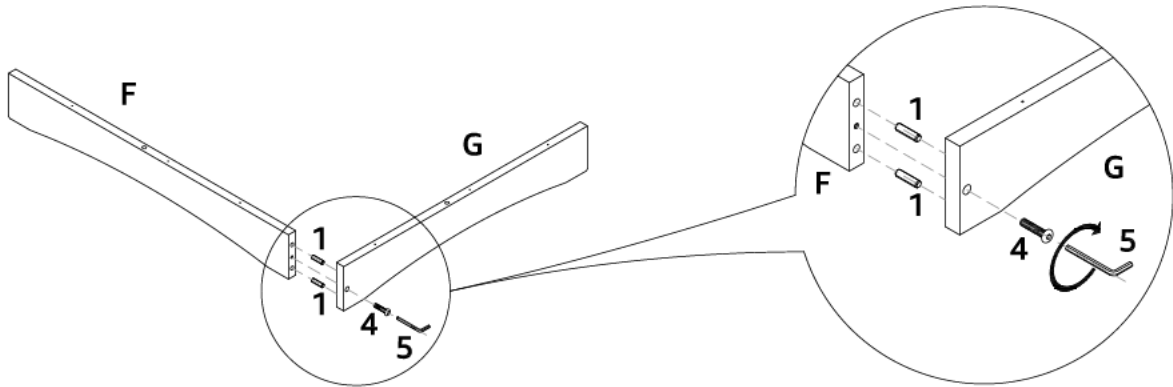
- 5** Insert wooden dowel 1 into the support bar #2 J.
 Tighten the bottom side apron M & the support bar #2 J to the body frame with bolt 4 by Allen Wrench 5.
 Insert wooden dowel 1 into the support bar #2 J and the bottom panel N. Input the side frame I to the body, tighten bolt 4 by Allen Wrench 5.





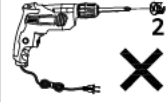

6

Insert wooden dowel 1 into the upper long apron F, tighten bolt 4 by Allen Wrench 5.
Insert wooden dowel 1 into the upper long apron F and upper side apron G.
Connect the top panel K to the upper long apron F and upper side apron G, tighten them with screw 6.
Tighten pin 3 into the top panel K.

 1 x 4 pcs	 4 x 1 pc	 3 x 8 pcs	 6 x 6 pcs
--	--	---	---



7 Insert wooden dowel 1 into the body frame.
 Input the top panel K to the body frame, insert cam lock 2 into the hole of the top of body frame, tighten cam lock 2 to pin 3.
 Remove the sticker on Velcro of cushion H, then stick cushion H to top panel K.
 Input cat scratch pad L into the bunk cat bed.

 1 x 4 pcs	 2 x 8 pcs	 NO!	 YES!
--	--	---	--

