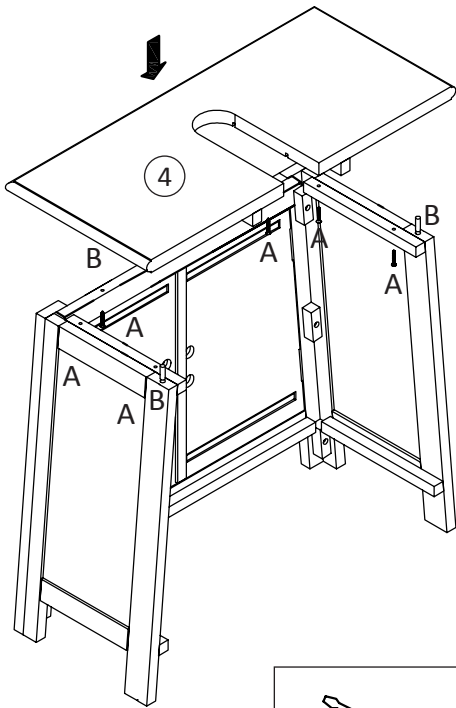
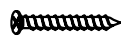


(2)



Ax6

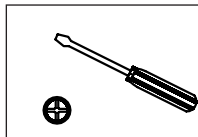


Φ4x25

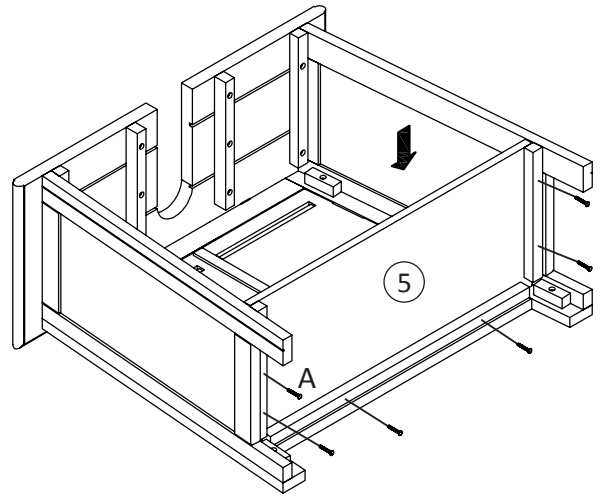
Bx3



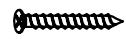
Φ8x25



(3)



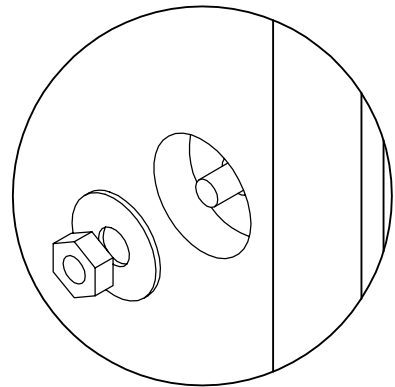
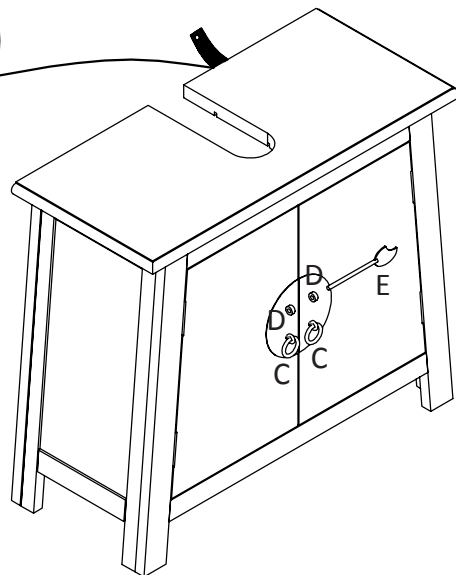
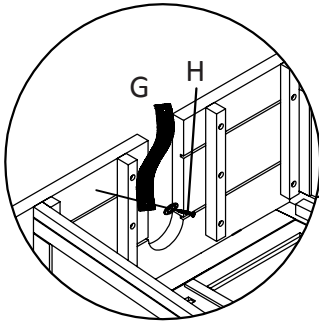
Ax6



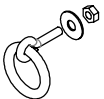
Φ4x25



(4)



Cx2



Dx2



Ex1



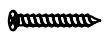
Gx1



Hx1



1x5/11



Φ3x15mm